



US00D792077S

(12) **United States Design Patent**
Denet

(10) **Patent No.:** **US D792,077 S**

(45) **Date of Patent:** **** Jul. 18, 2017**

- (54) **MOUNTABLE BULLET SHAPED DECORATION**
- (71) Applicant: **Rene Phillip Denet**, Lafitte, LA (US)
- (72) Inventor: **Rene Phillip Denet**, Lafitte, LA (US)
- (**) Term: **15 Years**
- (21) Appl. No.: **29/567,625**
- (22) Filed: **Jun. 10, 2016**
- (51) **LOC (10) Cl.** **02-04**
- (52) **U.S. Cl.**
USPC **D2/966**
- (58) **Field of Classification Search**
USPC D2/896, 925-933, 940, 946, 947, 950,
D2/964, 965, 966, 968
CPC .. A43B 1/00; A43B 3/00; A43B 7/125; A43B
7/16; A43B 21/00; A43B 21/02; A43B
21/025; A43B 21/03; A43B 21/04; A43B
21/06; A43B 21/08; A43B 21/18; A43B
21/20; A43B 21/24; A43B 21/26; A43B
21/30; A43B 21/32; A43B 21/36; A43B
21/38; A43B 21/42; A43B 21/433; A43B
21/437
See application file for complete search history.

- (56) **References Cited**
U.S. PATENT DOCUMENTS
3,200,518 A * 8/1965 Rasmussen A43B 21/24
36/34 R
3,216,133 A * 11/1965 Houle A43B 13/34
36/34 R
3,514,879 A * 6/1970 Frattallone A43B 21/46
36/42
D372,660 S 8/1996 Niessner
6,023,858 A * 2/2000 Srourian A43B 3/24
36/11.5
D563,638 S * 3/2008 Guers-Neyraud D2/965

- D580,642 S * 11/2008 Guers-Neyraud D2/965
- D580,643 S * 11/2008 Guers-Neyraud D2/965
- 8,925,218 B2 * 1/2015 Anderson A43B 3/246
36/100
- D744,220 S * 12/2015 Slimane D2/966
- 2005/0227796 A1 10/2005 Murphy

* cited by examiner

Primary Examiner — Elizabeth J Oswecki
(74) *Attorney, Agent, or Firm* — Dunlap Bennett & Ludwig PLLC

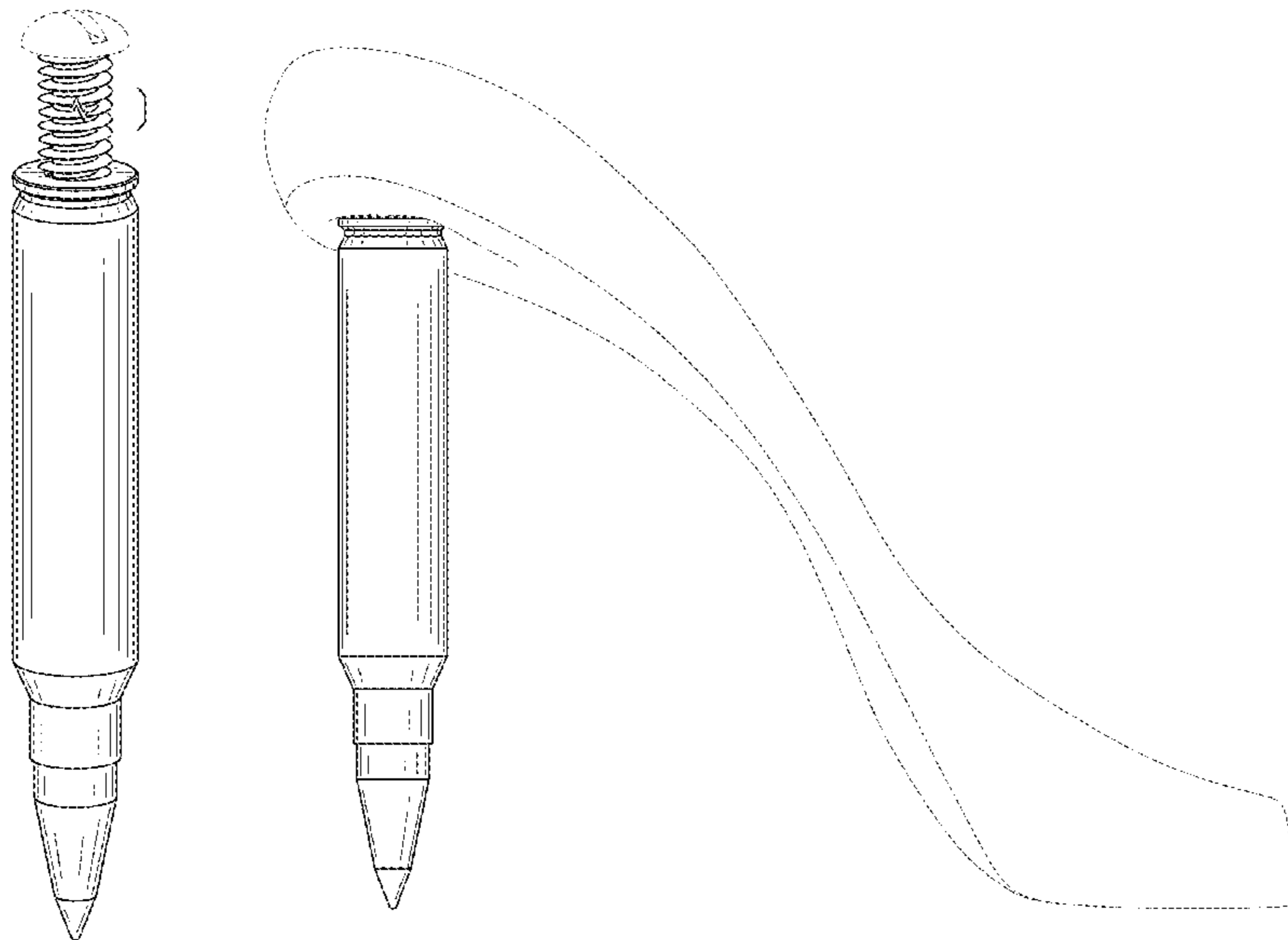
(57) **CLAIM**

The ornamental design for a mountable bullet shaped decoration, as shown and described.

DESCRIPTION

FIG. 1 is a front perspective view of a mountable bullet shaped decoration showing my new design; FIG. 2 is a front elevation view of FIG. 1; FIG. 3 is a rear elevation view of FIG. 1; FIG. 4 is a left side elevation view of FIG. 1; FIG. 5 is a right side elevation view of FIG. 1; FIG. 6 is a top plan view of FIG. 1; FIG. 7 is a bottom plan view of FIG. 1; and, FIG. 8 is another left side elevation of FIG. 1 shown in a used condition with a shoe shown in broken lines. The broken lines in FIG. 8 depicting a high heel shoe is environmental subject matter that forms no part of the claimed design, while the remaining broken lines shown in the drawings depict portions of the mountable bullet shaped decoration that form no part of the claimed design. The mountable bullet shaped decoration is shown with symbolic breaks employed by a bracket in FIGS. 1-5 to indicate that no particular length is claimed.

1 Claim, 3 Drawing Sheets



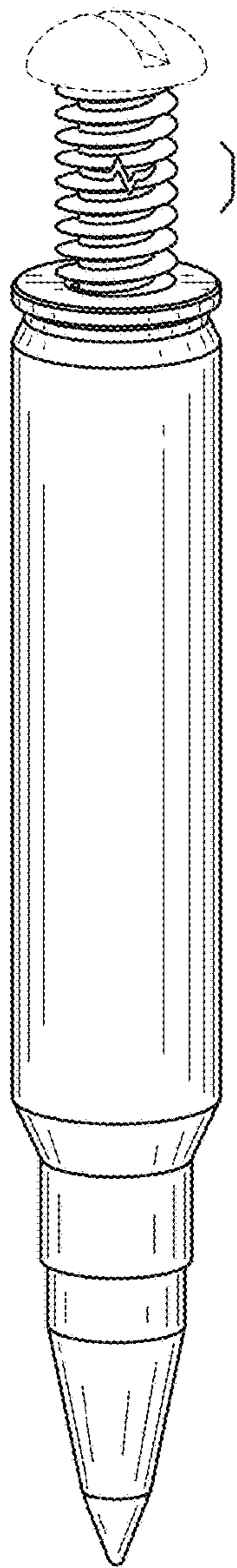


FIG. 1

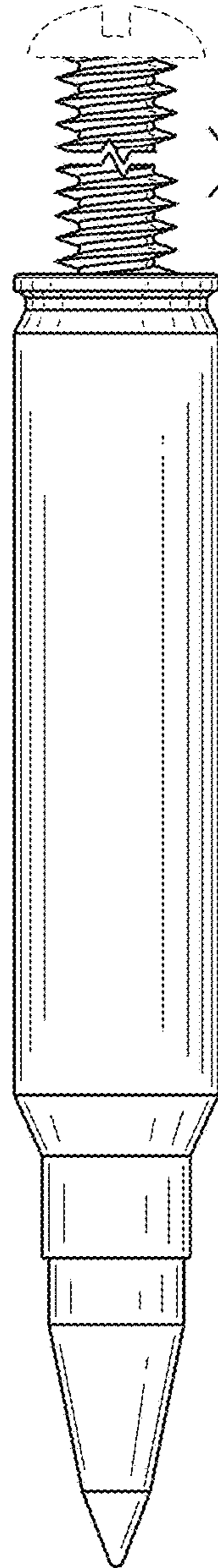


FIG. 2

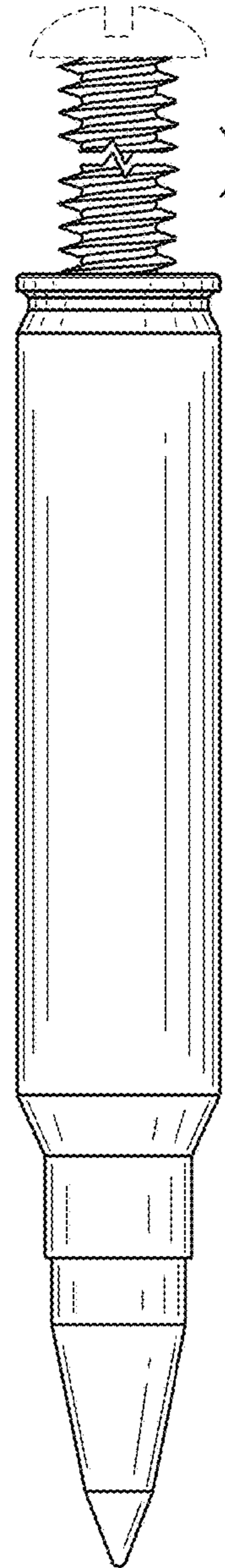


FIG. 3

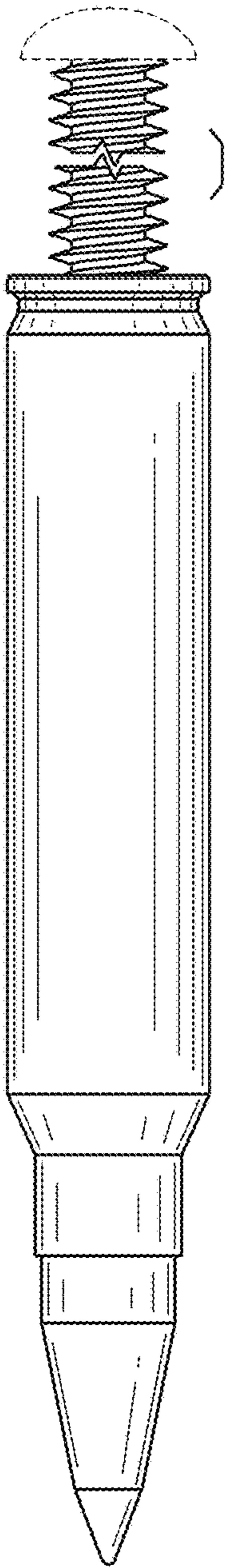


FIG. 4

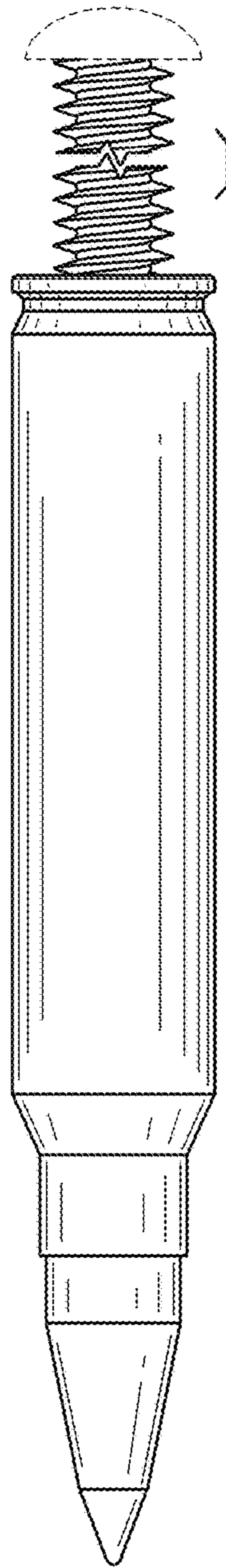


FIG. 5

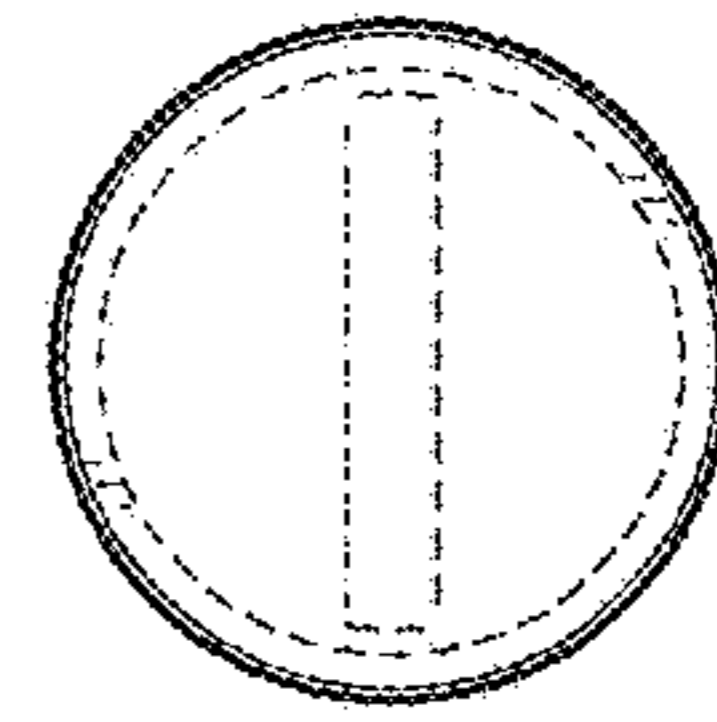


FIG. 6

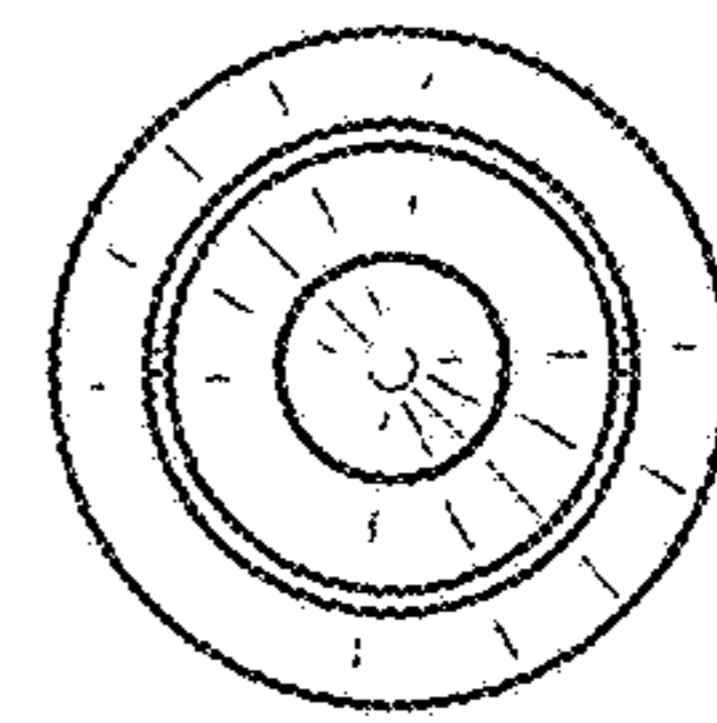


FIG. 7

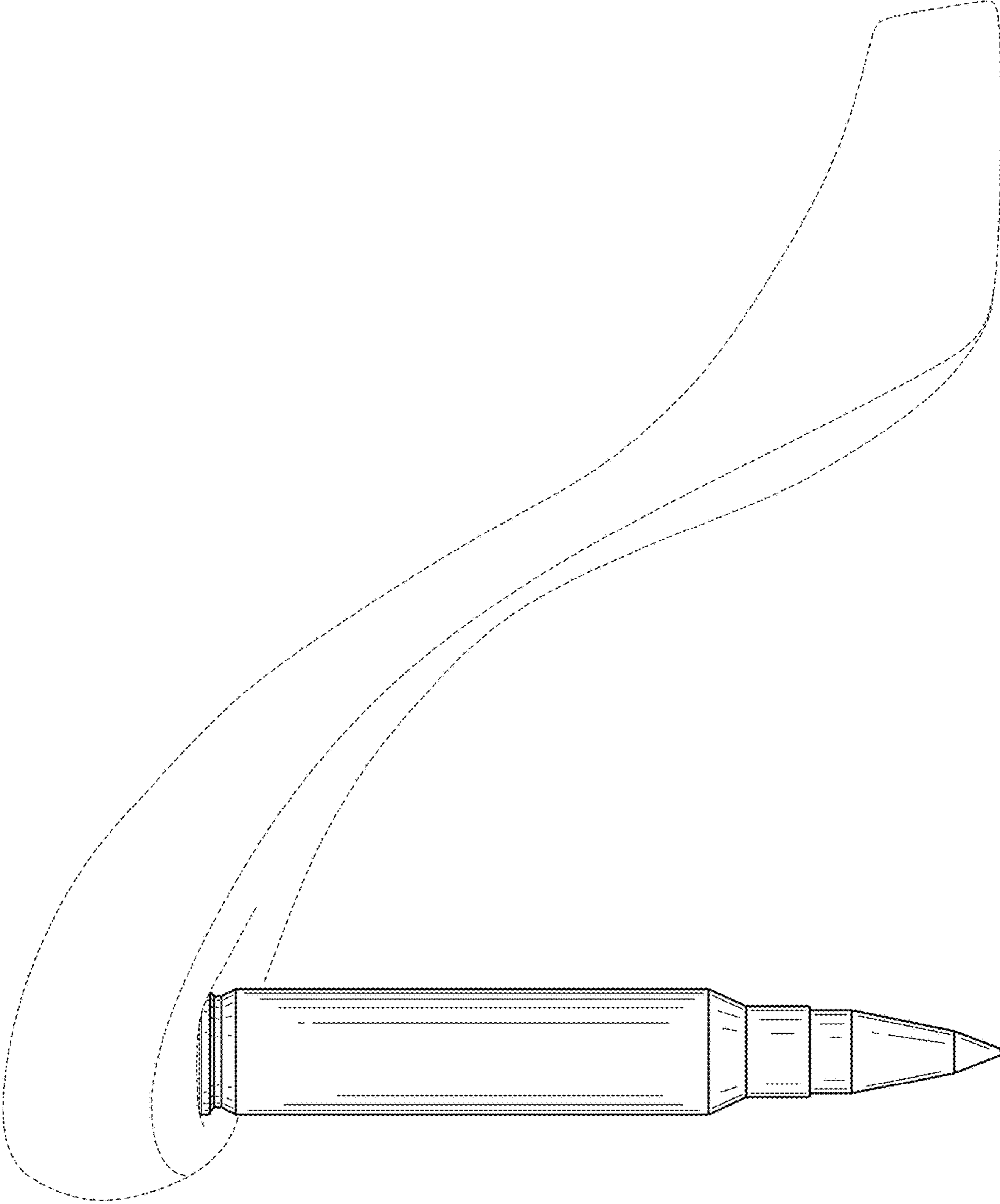


FIG. 8