



US00D792074S

(12) **United States Design Patent**
Livingston et al.

(10) **Patent No.:** **US D792,074 S**
(45) **Date of Patent:** **** Jul. 18, 2017**

(54) **RECREATIONAL SHOE SPIKE**
(71) Applicant: **HORST ENGINEERING & MANUFACTURING CO.**, East Hartford, CT (US)
(72) Inventors: **Scott M. Livingston**, Bolton, CT (US); **Arthur Roti**, Granby, CT (US)
(73) Assignee: **Horst Engineering & Manufacturing Co.**, East Hartford, CT (US)
(**) Term: **15 Years**
(21) Appl. No.: **29/536,257**
(22) Filed: **Aug. 14, 2015**
(51) **LOC (10) Cl.** **02-99**
(52) **U.S. Cl.**
USPC **D2/962**

(58) **Field of Classification Search**
USPC D2/896, 906, 908, 946, 962, 963, 968
CPC A43B 1/00; A43B 3/00; A43B 5/00; A43B 5/001; A43B 5/002; A43B 5/003; A43B 5/18; A43B 5/185; A43C 13/00; A43C 13/02; A43C 13/04; A43C 13/06; A43C 13/08; A43C 13/10; A43C 13/12; A43C 15/00; A43C 15/005; A43C 15/02; A43C 15/04; A43C 15/06; A43C 15/061; A43C 15/063; A43C 15/065; A43C 15/066; A43C 15/068; A43C 15/08; A43C 15/09; A43C 15/10; A43C 15/12; A43C 15/14; A43C 15/16; A43C 15/161; A43C 15/162; A43C 15/164; A43C 15/165; A43C 15/167; A43C 15/168; A43C 15/18
See application file for complete search history.

(56) **References Cited**
U.S. PATENT DOCUMENTS
D15,490 S * 10/1884 Mundy D2/962
D15,491 S * 10/1884 Mundy D2/962

D26,587 S * 2/1897 Rowe 168/42
D27,542 S * 8/1897 Whitaker 168/42
D105,159 S * 6/1937 Wilcox D2/962
2,787,843 A * 4/1957 Phillips A43C 15/161
36/59 R
D198,123 S * 5/1964 Grant D2/962
3,133,364 A * 5/1964 Wormelle, Jr. A43C 15/161
36/59 R
3,195,246 A * 7/1965 Ueda A43C 15/161
36/67 D
D320,882 S * 10/1991 Collins D2/962
D374,762 S * 10/1996 Grant D2/962
D388,949 S * 1/1998 Savoie D2/962
D439,732 S * 4/2001 Grant D2/962
D450,432 S * 11/2001 Savoie D2/962
D450,433 S * 11/2001 Savoie D2/962
D450,434 S * 11/2001 Savoie D2/962

(Continued)

Primary Examiner — Elizabeth J Oswecki
(74) *Attorney, Agent, or Firm* — Damian Wasserbauer, Esq.; Wasserbauer Law LLC

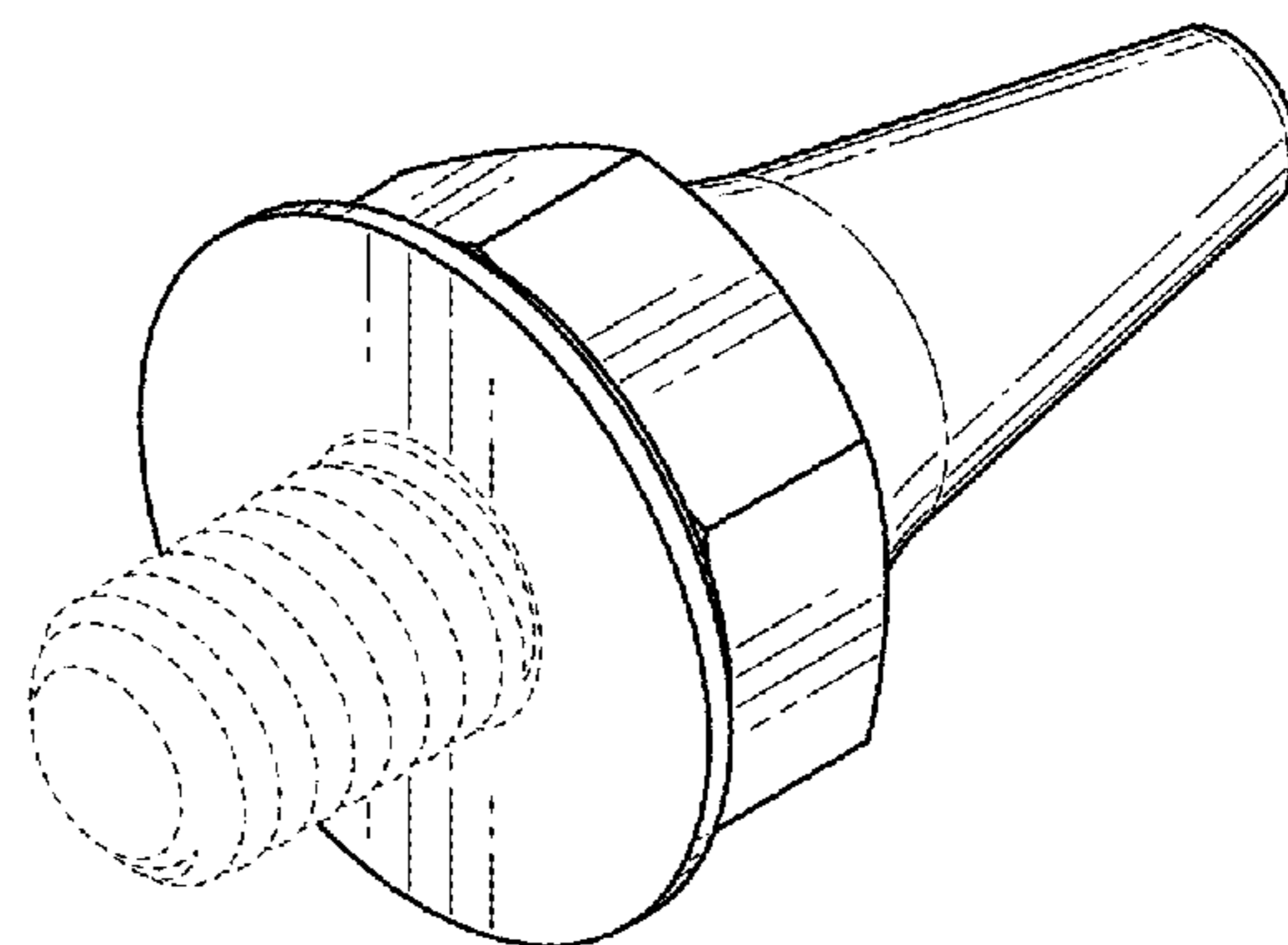
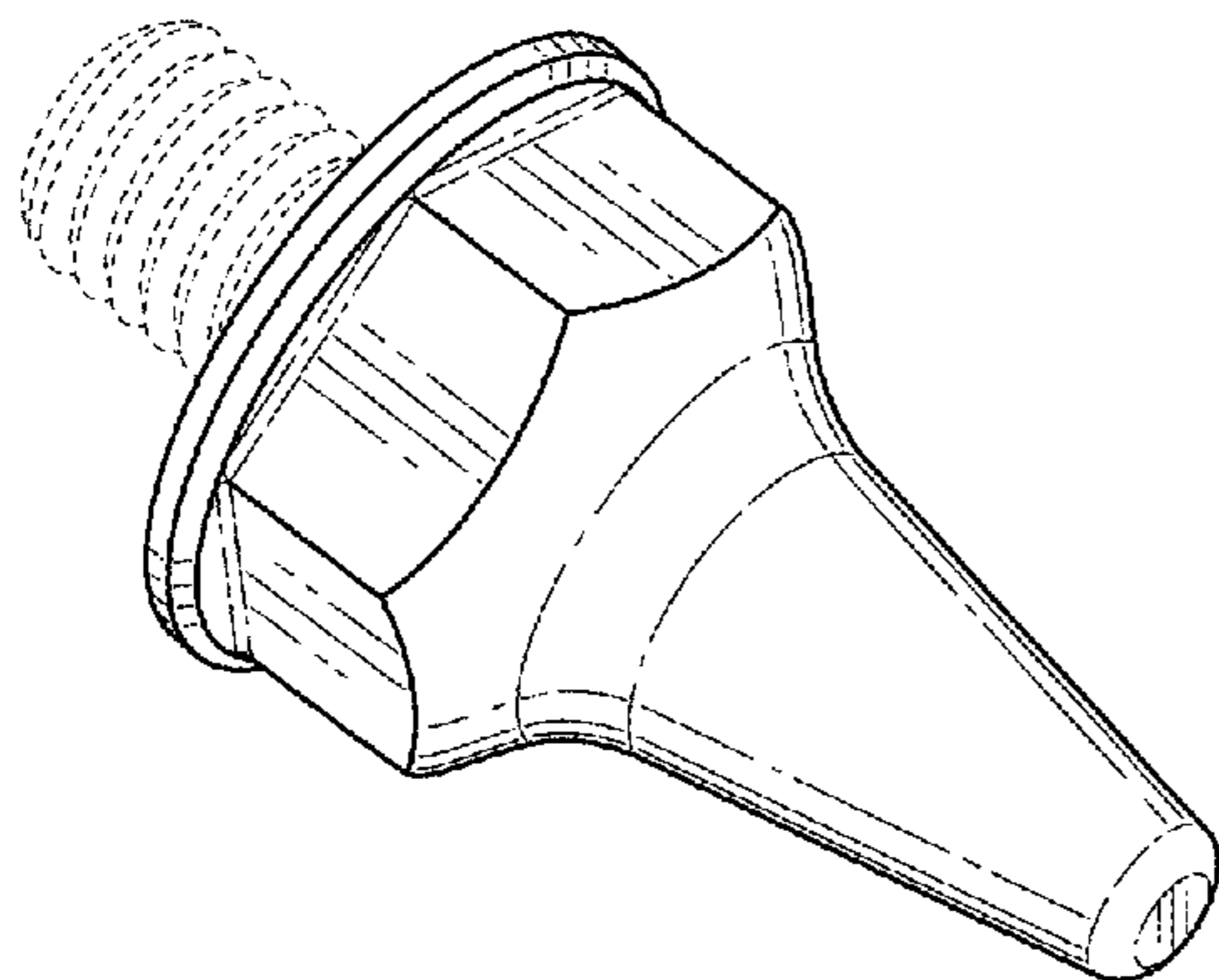
(57) **CLAIM**

The ornamental design for a recreational shoe spike, as shown and described.

DESCRIPTION

FIG. 1 is a front perspective view of a recreational shoe spike showing our new design;
FIG. 2 is a rear perspective view thereof;
FIG. 3 is a bottom view thereof;
FIG. 4 is a side view thereof;
FIG. 5 is an opposite side view thereof;
FIG. 6 is a front view thereof;
FIG. 7 is a rear view thereof;
FIG. 8 is a top view thereof; and,
FIG. 9 is a perspective view thereof, shown in a used condition with a shoe shown in broken lines.
The broken lines of cross shoe in FIG. 9 and threads in the views forms no part of the claimed design.

1 Claim, 5 Drawing Sheets



(56)

References Cited

U.S. PATENT DOCUMENTS

D450,435	S	*	11/2001	Savoie	D2/962
D450,436	S	*	11/2001	Savoie	D2/962
D451,265	S	*	12/2001	Savoie	D2/962
D469,245	S	*	1/2003	Savoie	D2/962
D493,953	S	*	8/2004	Chang	D2/962
D580,144	S	*	11/2008	Lussier	D2/946

* cited by examiner

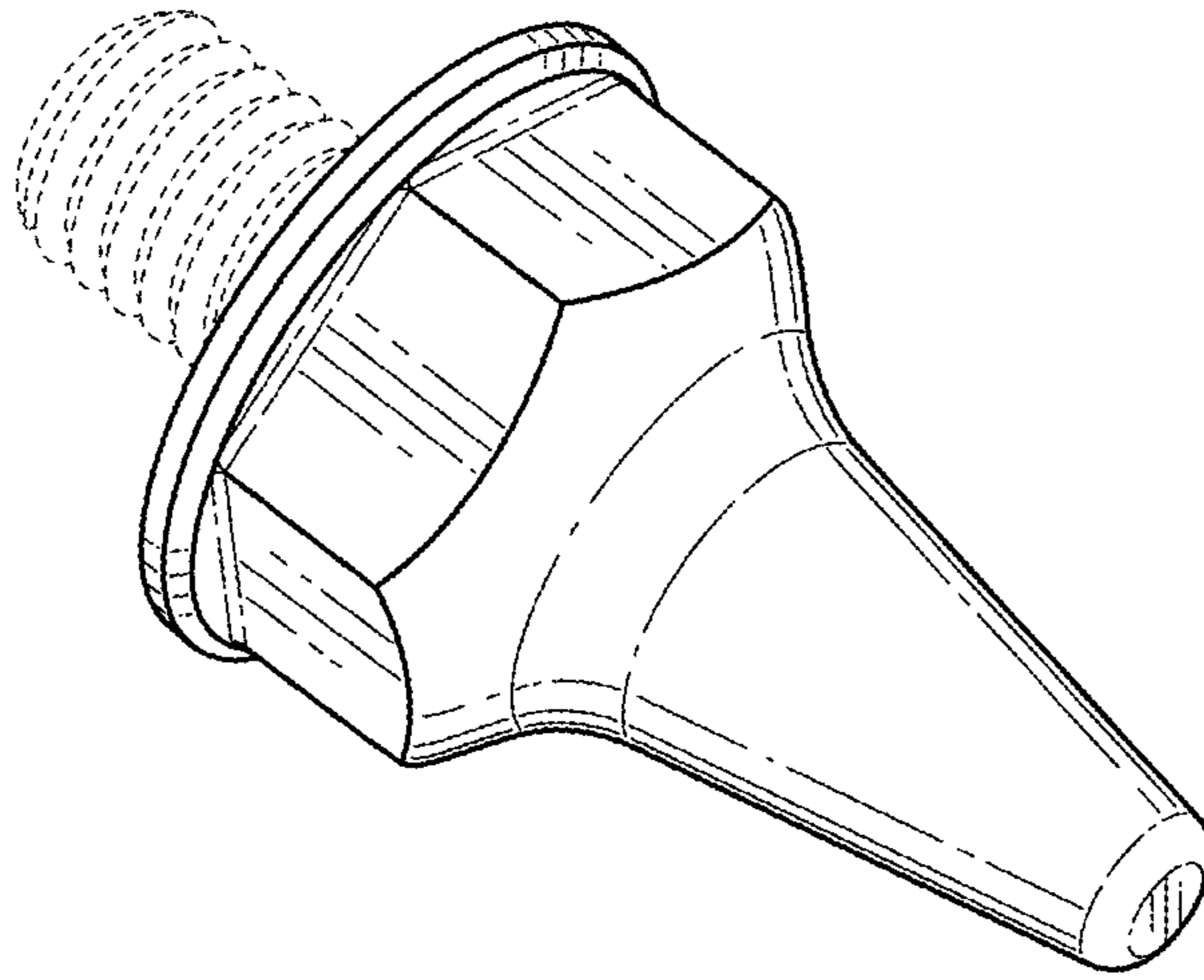


FIG. 1

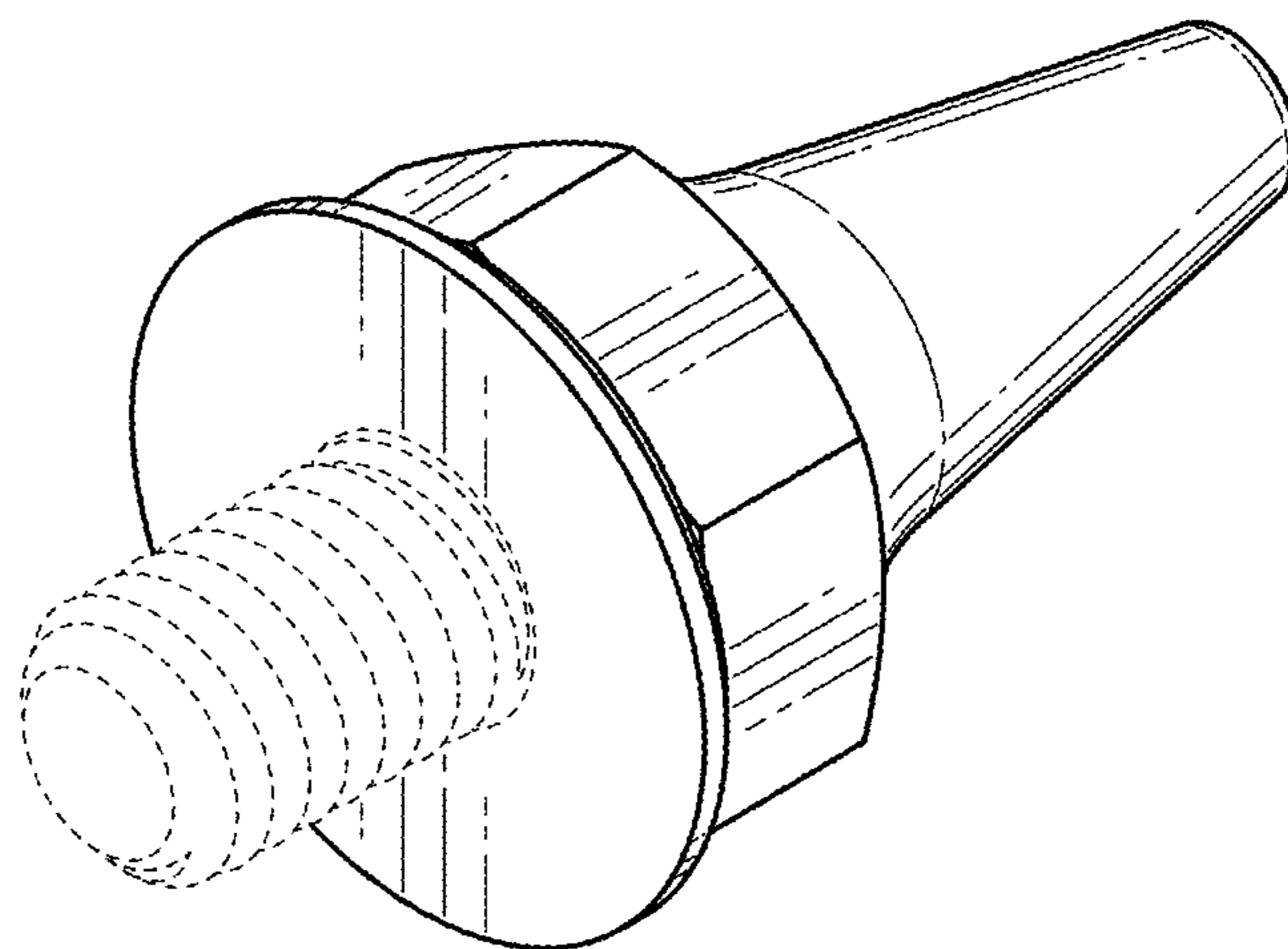


FIG. 2

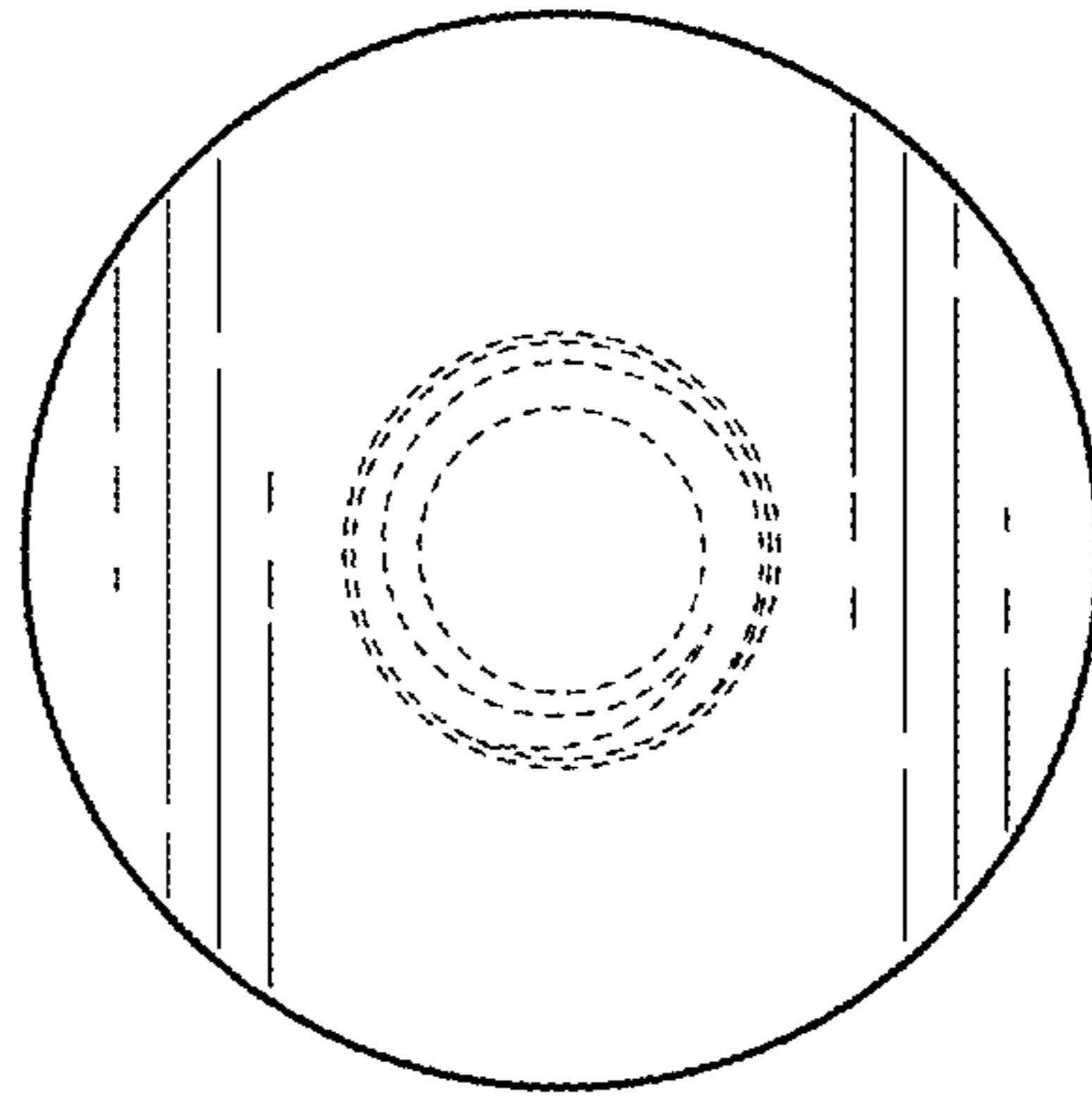


FIG. 3

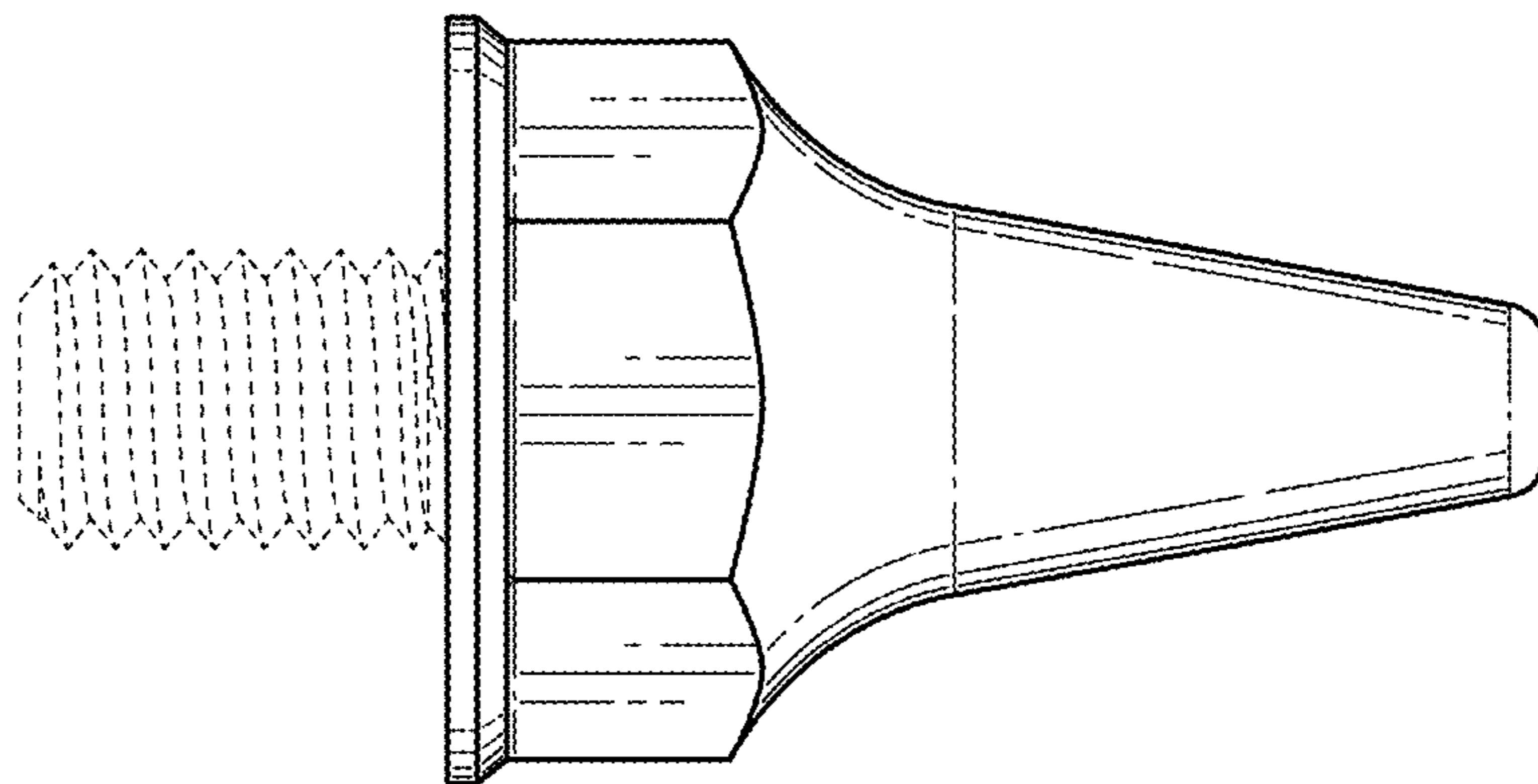


FIG. 4

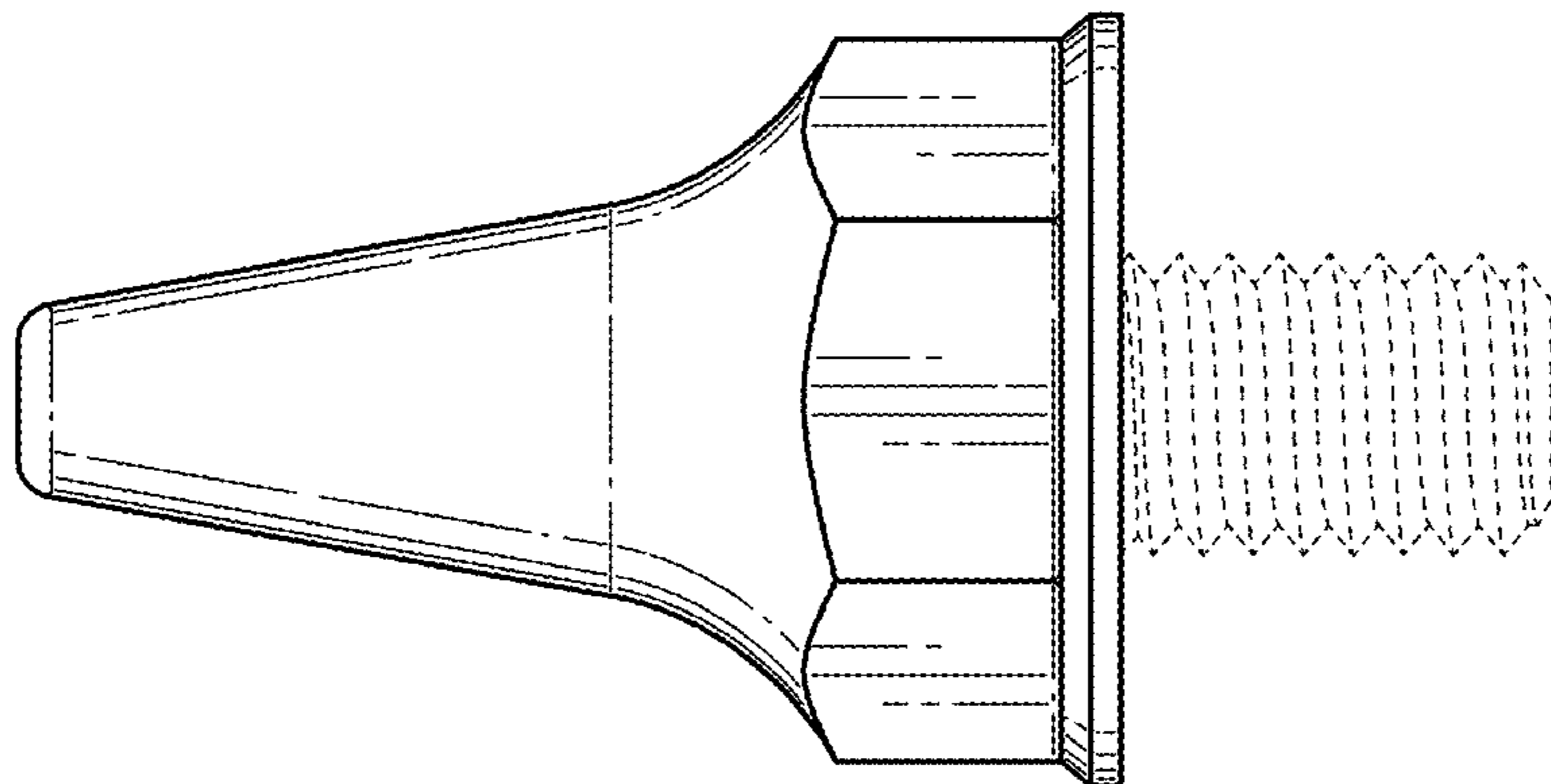


FIG. 5

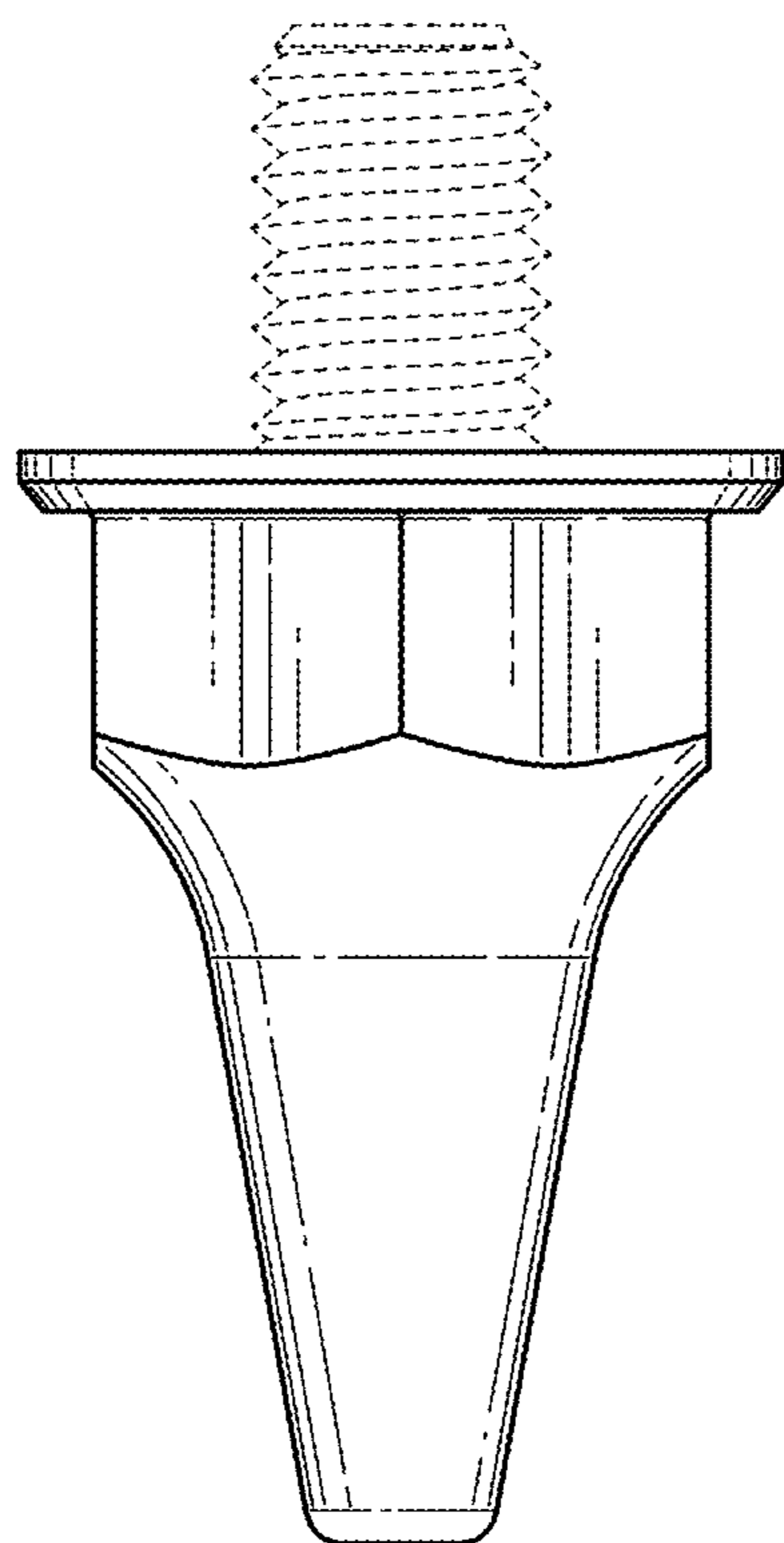


FIG. 6

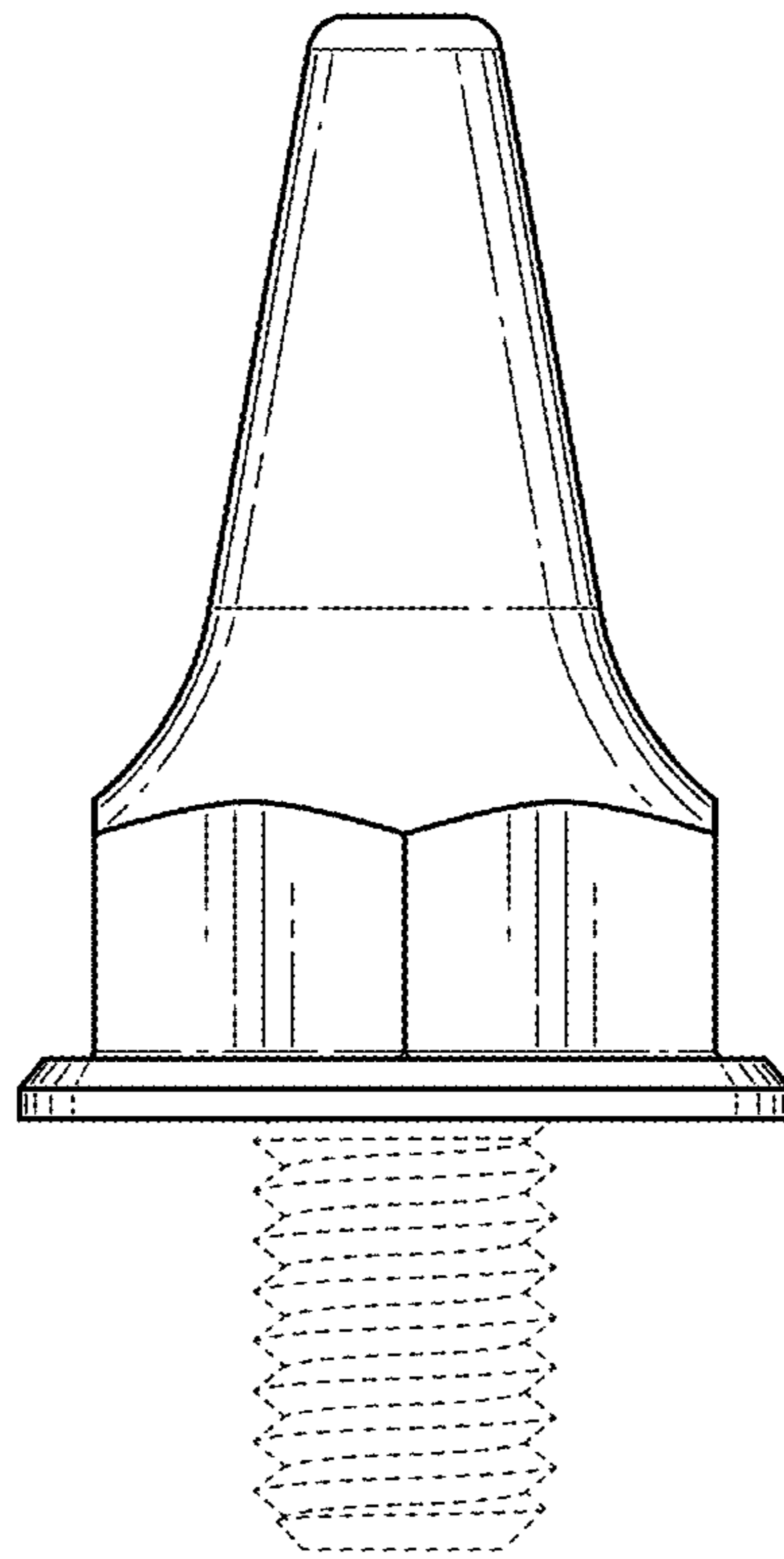


FIG. 7

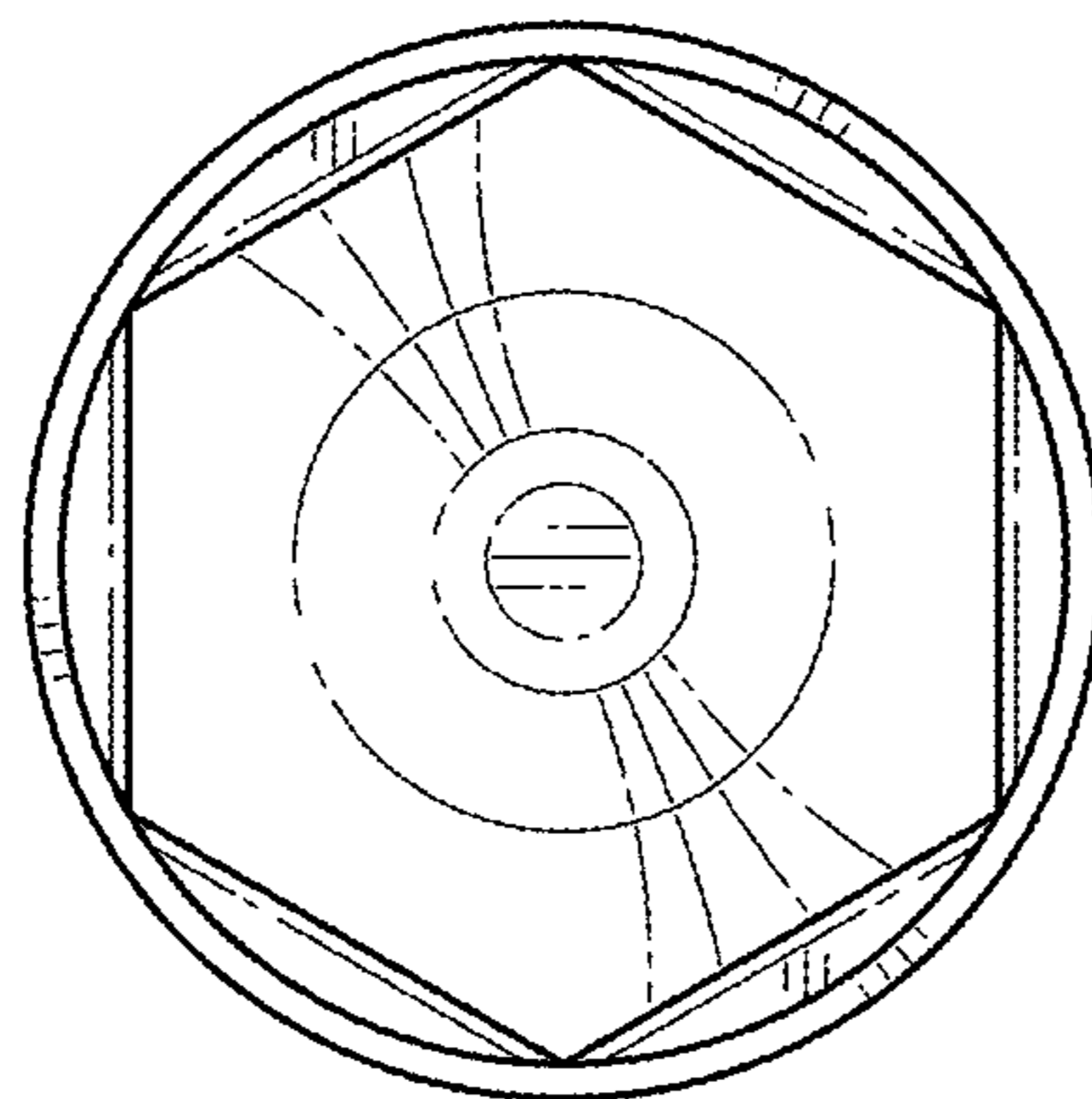


FIG. 8

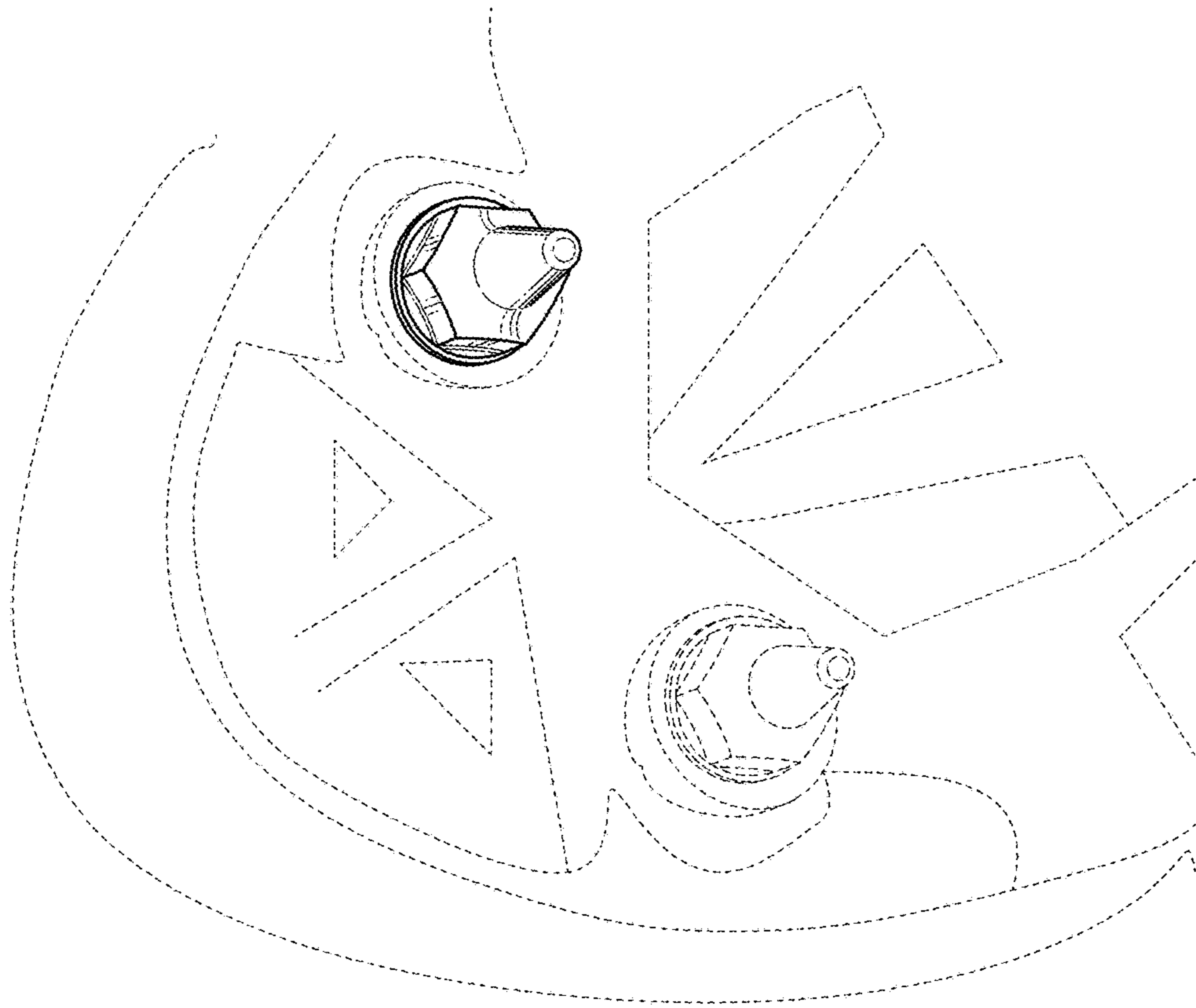


FIG. 9