



US00D792072S

(12) **United States Design Patent**  
**Livingston et al.**

(10) **Patent No.:** **US D792,072 S**  
(45) **Date of Patent:** **\*\* Jul. 18, 2017**

- (54) **RECREATIONAL SHOE SPIKE**
- (71) Applicant: **HORST ENGINEERING & MANUFACTURING CO.**, East Hartford, CT (US)
- (72) Inventors: **Scott M. Livingston**, Bolton, CT (US); **Arthur Roti**, Granby, CT (US)
- (73) Assignee: **Horst Engineering & Manufacturing Co.**, East Hartford, CT (US)
- (\*\*) Term: **15 Years**
- (21) Appl. No.: **29/536,254**

- (22) Filed: **Aug. 14, 2015**
- (51) **LOC (10) Cl.** ..... **02-99**
- (52) **U.S. Cl.**  
USPC ..... **D2/962**

- (58) **Field of Classification Search**  
USPC ..... D2/896, 906, 908, 946, 962, 963, 968  
CPC .... A43B 1/00; A43B 3/00; A43B 5/00; A43B 5/001; A43B 5/002; A43B 5/003; A43B 5/18; A43B 5/185; A43C 13/00; A43C 13/02; A43C 13/04; A43C 13/06; A43C 13/08; A43C 13/10; A43C 13/12; A43C 15/00; A43C 15/005; A43C 15/02; A43C 15/04; A43C 15/06; A43C 15/061; A43C 15/063; A43C 15/065; A43C 15/066; A43C 15/068; A43C 15/08; A43C 15/09; A43C 15/10; A43C 15/12; A43C 15/14; A43C 15/16; A43C 15/161; A43C 15/162; A43C 15/164; A43C 15/165; A43C 15/167; A43C 15/168; A43C 15/18  
See application file for complete search history.

- (56) **References Cited**  
U.S. PATENT DOCUMENTS  
D15,490 S \* 10/1884 Mundy ..... D2/962  
D15,491 S \* 10/1884 Mundy ..... D2/962

- D26,587 S \* 2/1897 Rowe ..... 168/42
- D27,542 S \* 8/1897 Whitmaker ..... 168/42
- D105,159 S \* 6/1937 Wilcox ..... D2/962
- 2,787,843 A \* 4/1957 Phillips ..... A43C 15/161  
36/59 R
- D198,123 S \* 5/1964 Grant ..... D2/962
- 3,133,364 A \* 5/1964 Wormelle, Jr. .... A43C 15/161  
36/59 R
- 3,195,246 A \* 7/1965 Ueda ..... A43C 15/161  
36/67 D
- D320,882 S \* 10/1991 Collins ..... D2/962
- D374,762 S \* 10/1996 Grant ..... D2/962
- D388,949 S \* 1/1998 Savoie ..... D2/962
- D439,732 S \* 4/2001 Grant ..... D2/962
- D450,432 S \* 11/2001 Savoie ..... D2/962
- D450,433 S \* 11/2001 Savoie ..... D2/962
- D450,434 S \* 11/2001 Savoie ..... D2/962

(Continued)

*Primary Examiner* — Elizabeth J Oswecki  
(74) *Attorney, Agent, or Firm* — Damian Wasserbauer, Esq.; Wasserbauer Law LLC

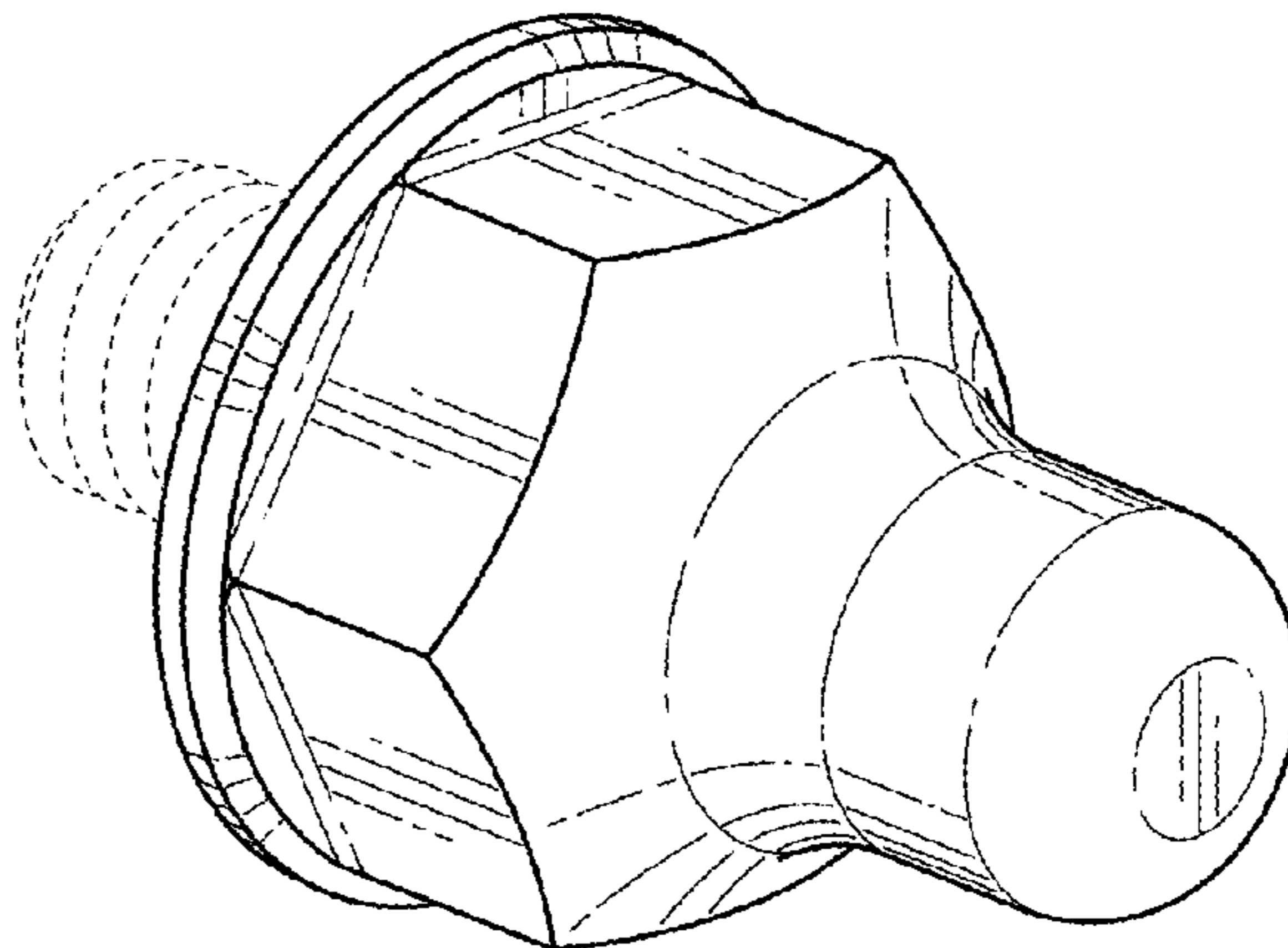
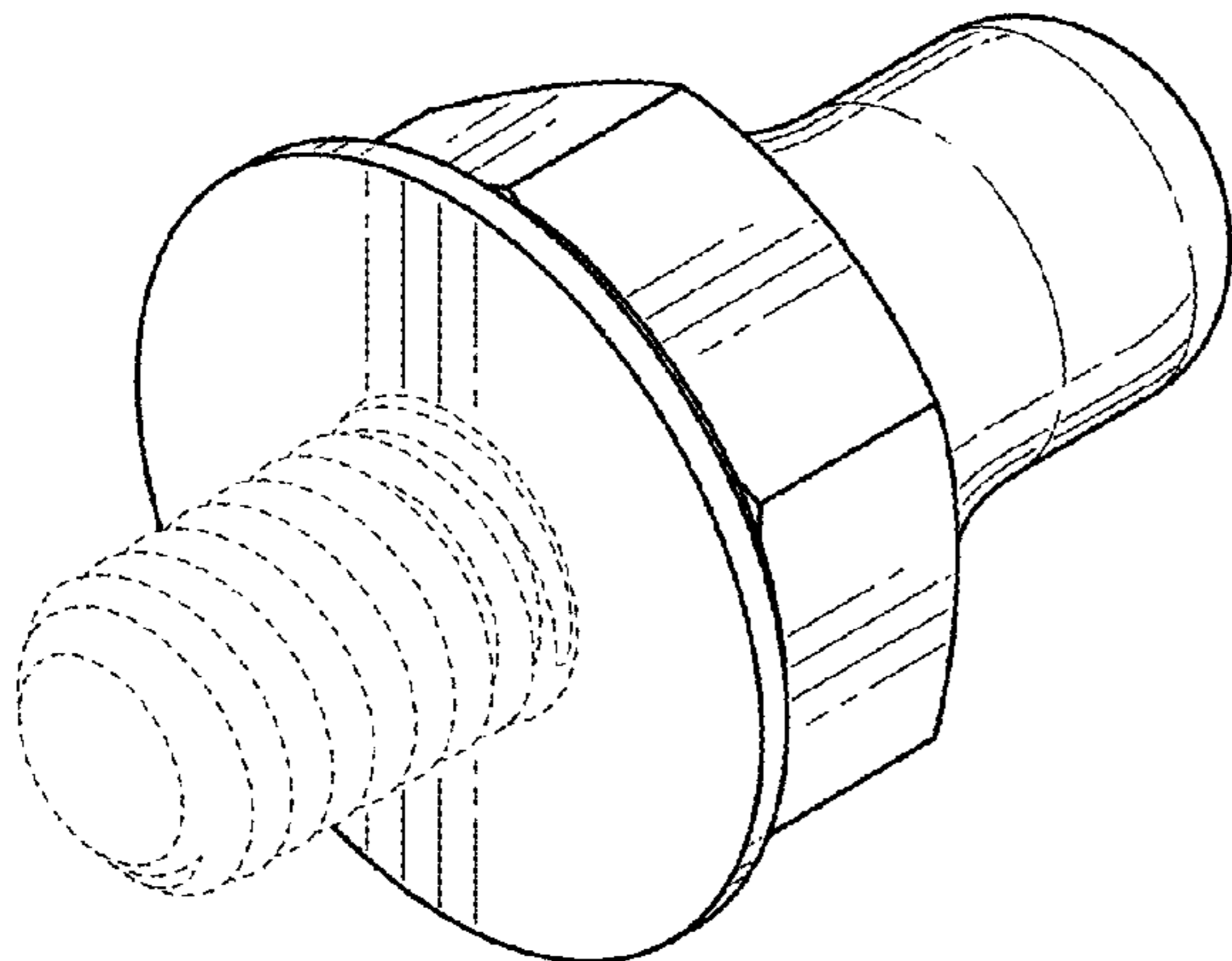
(57) **CLAIM**

The ornamental design for a recreational shoe spike, as shown and described.

**DESCRIPTION**

FIG. 1 is a front, bottom perspective view of a recreational shoe spike showing our new design;  
FIG. 2 is a rear, top perspective view thereof;  
FIG. 3 is a bottom view thereof;  
FIG. 4 is a side view thereof;  
FIG. 5 is an opposite side view thereof;  
FIG. 6 is a front view thereof;  
FIG. 7 is a rear view thereof;  
FIG. 8 is a top view thereof; and,  
FIG. 9 is a perspective view thereof, shown in a used condition with a shoe shown in broken lines.  
The broken lines of cross shoe and threads in the views forms no part of the claimed design.

**1 Claim, 5 Drawing Sheets**



(56)

**References Cited**

U.S. PATENT DOCUMENTS

D450,435 S	*	11/2001	Savoie	.....	D2/962
D450,436 S	*	11/2001	Savoie	.....	D2/962
D451,265 S	*	12/2001	Savoie	.....	D2/962
D469,245 S	*	1/2003	Savoie	.....	D2/962
D493,953 S	*	8/2004	Chang	.....	D2/962
D580,144 S	*	11/2008	Lussier	.....	D2/946

\* cited by examiner

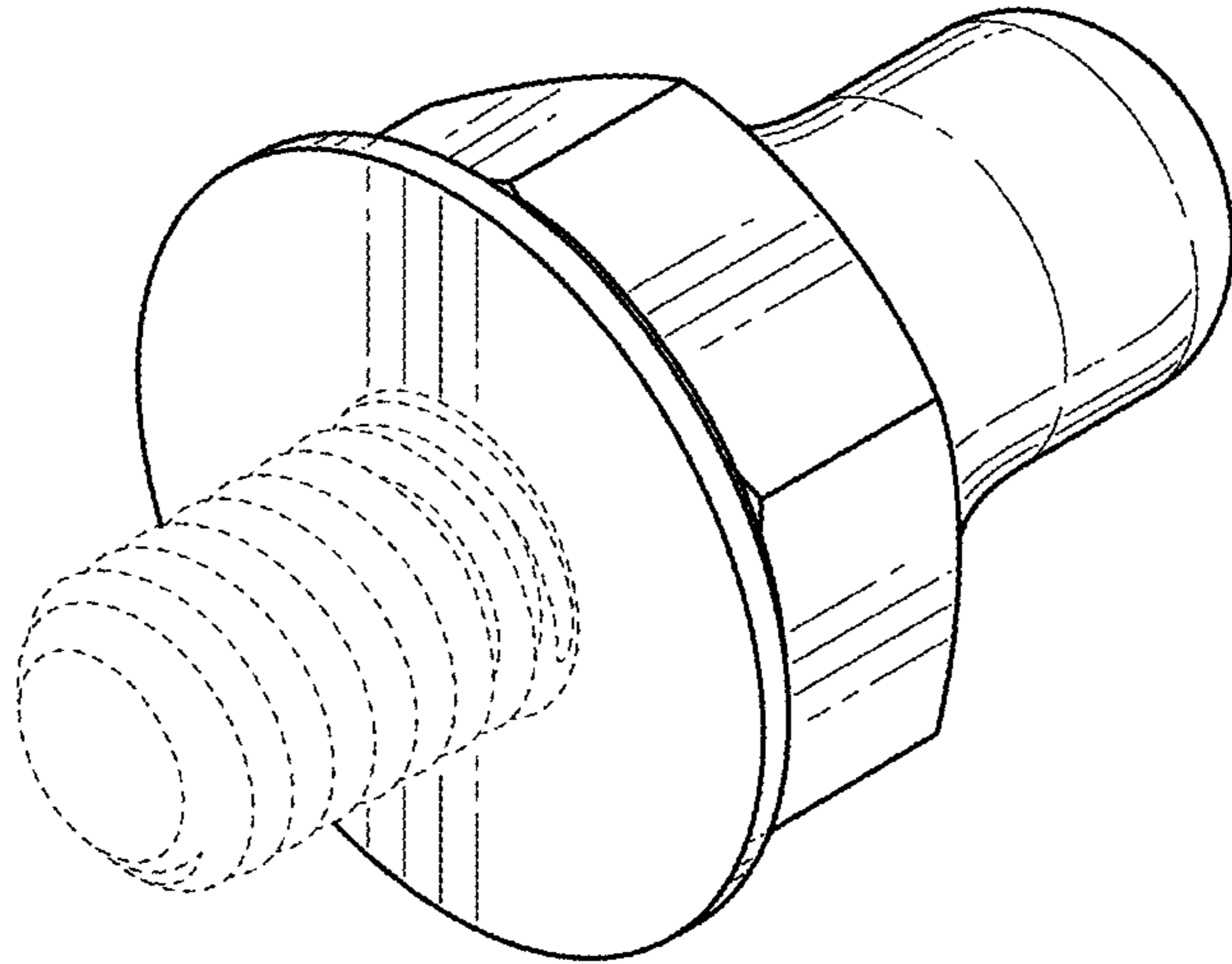


FIG. 1

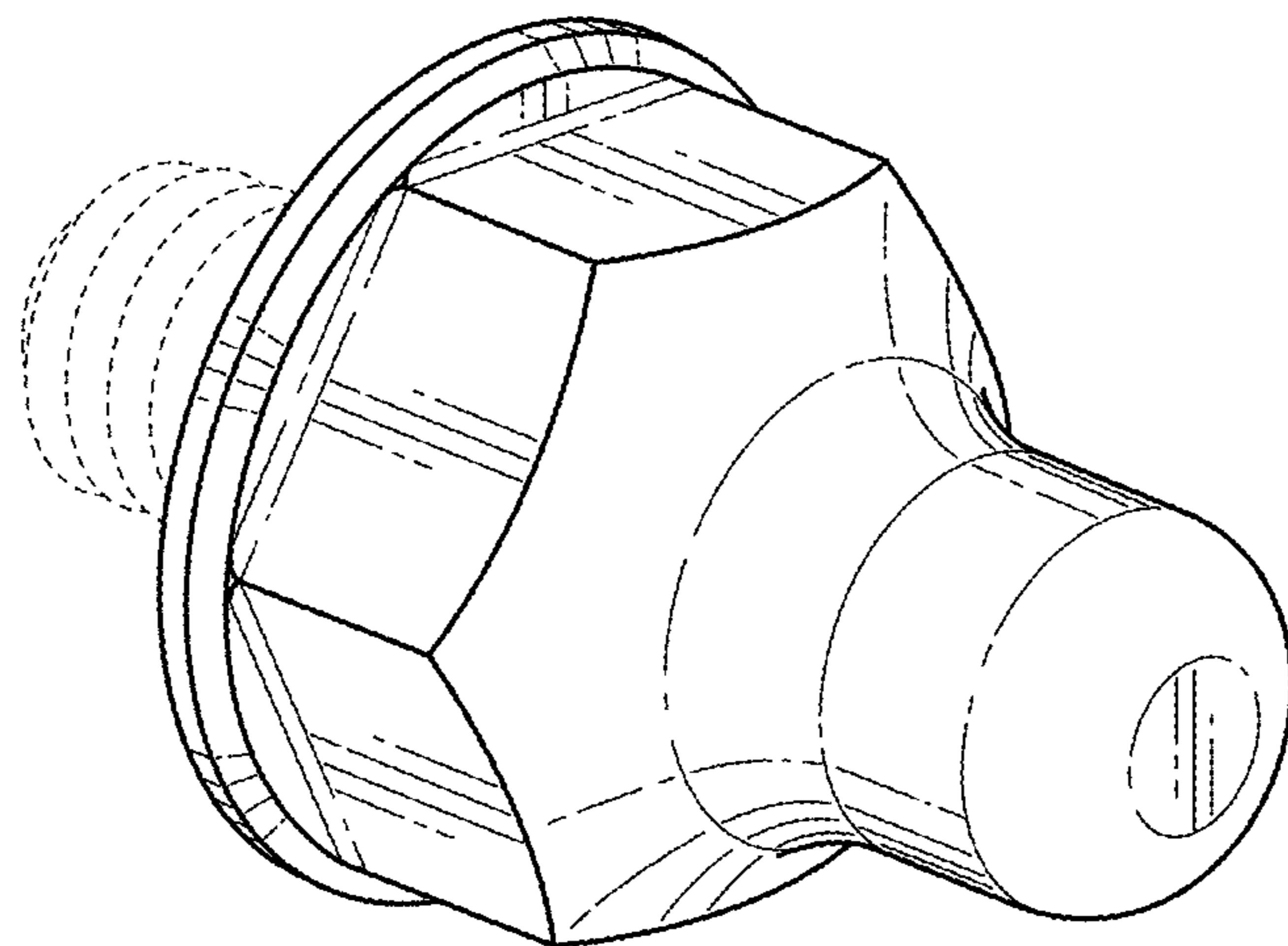


FIG. 2

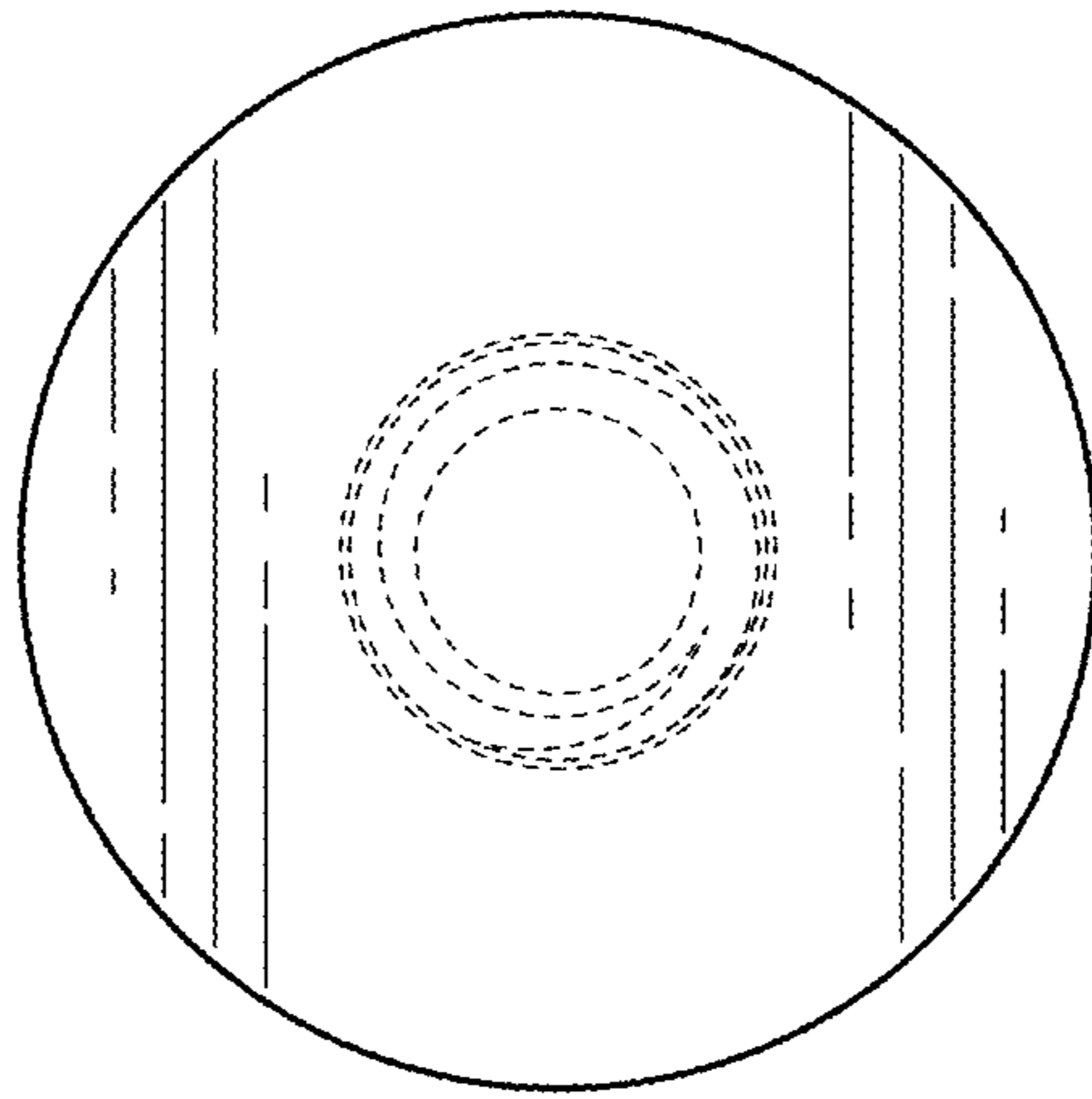


FIG. 3

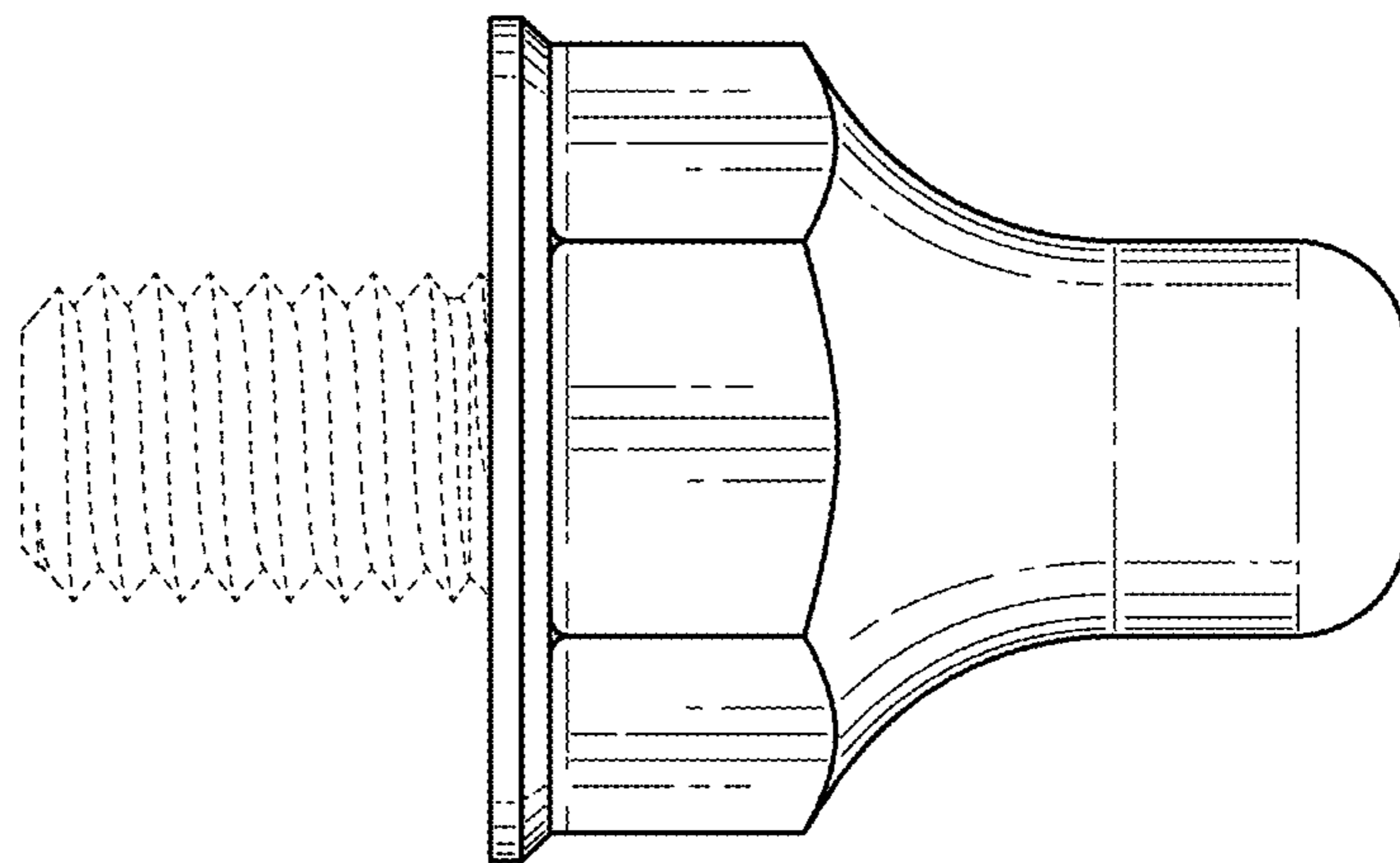


FIG. 4

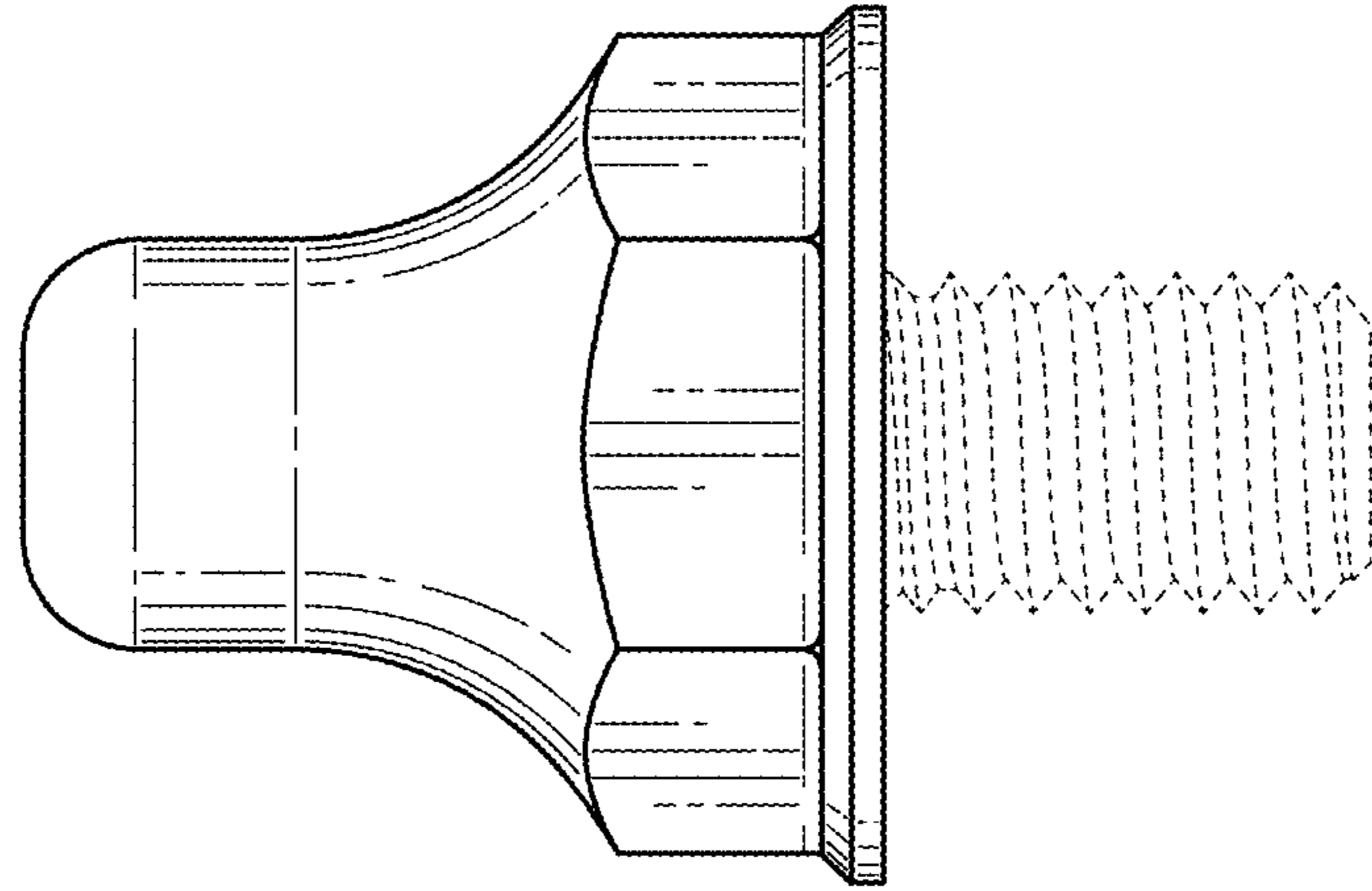


FIG. 5

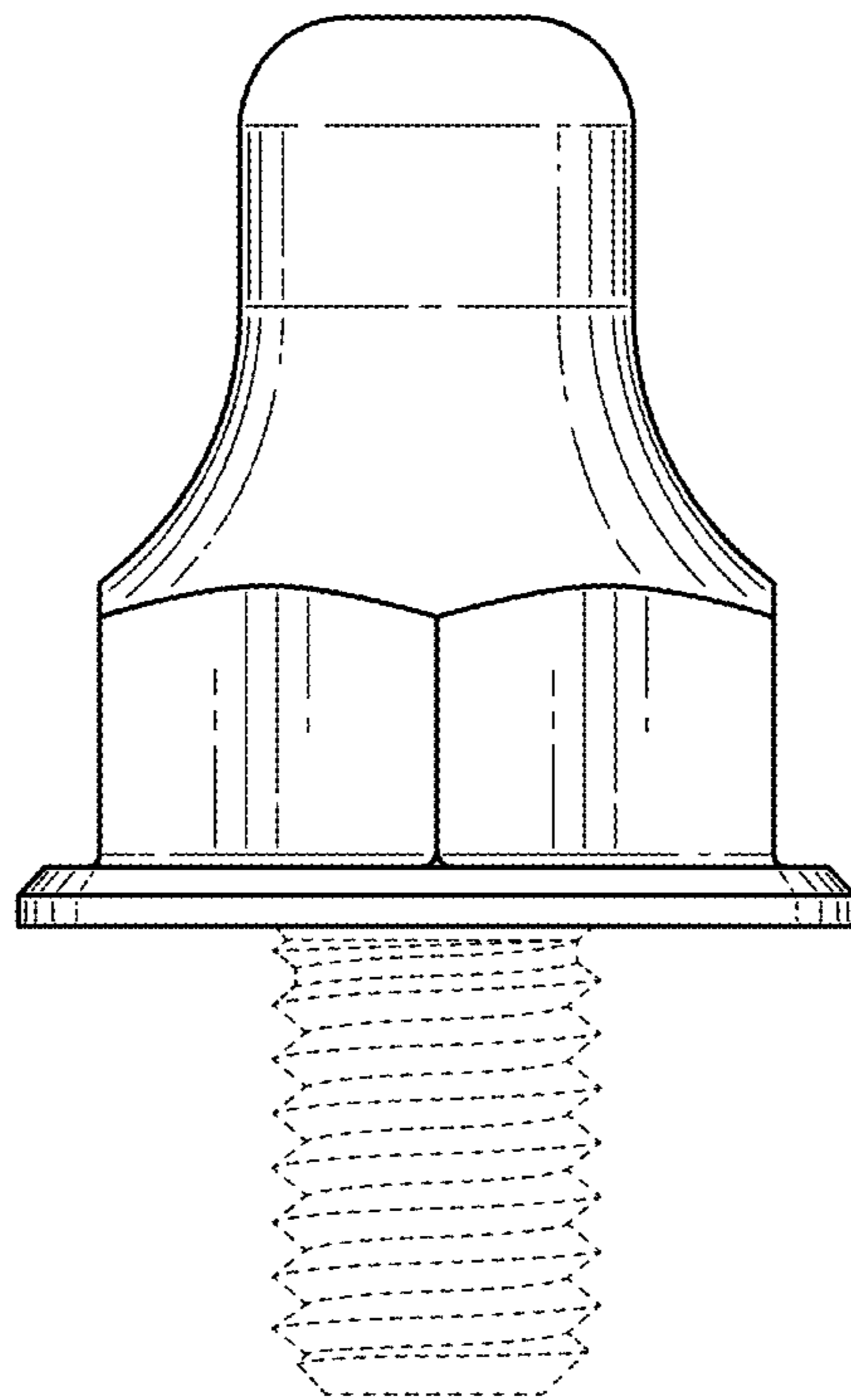


FIG. 6



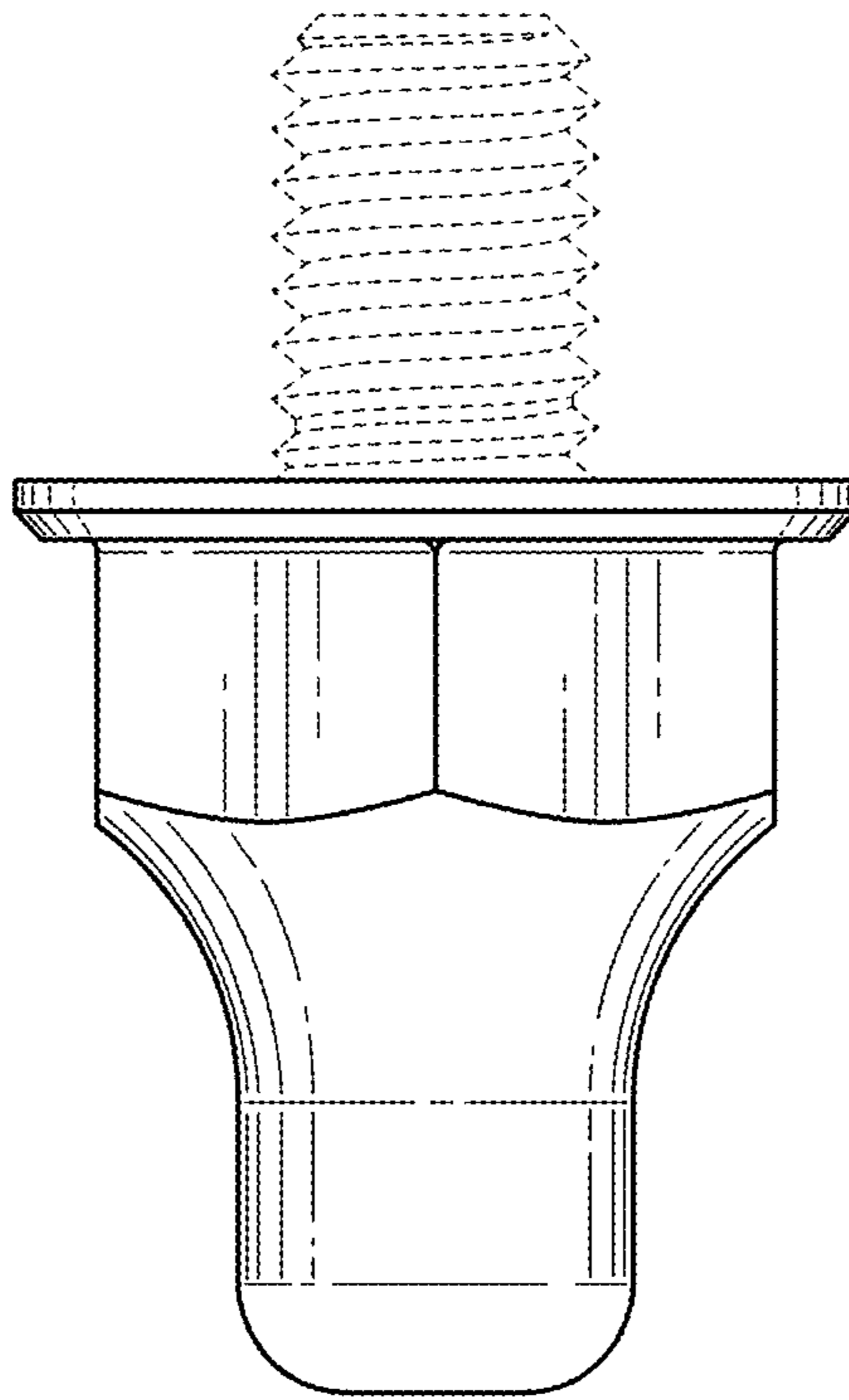


FIG. 7

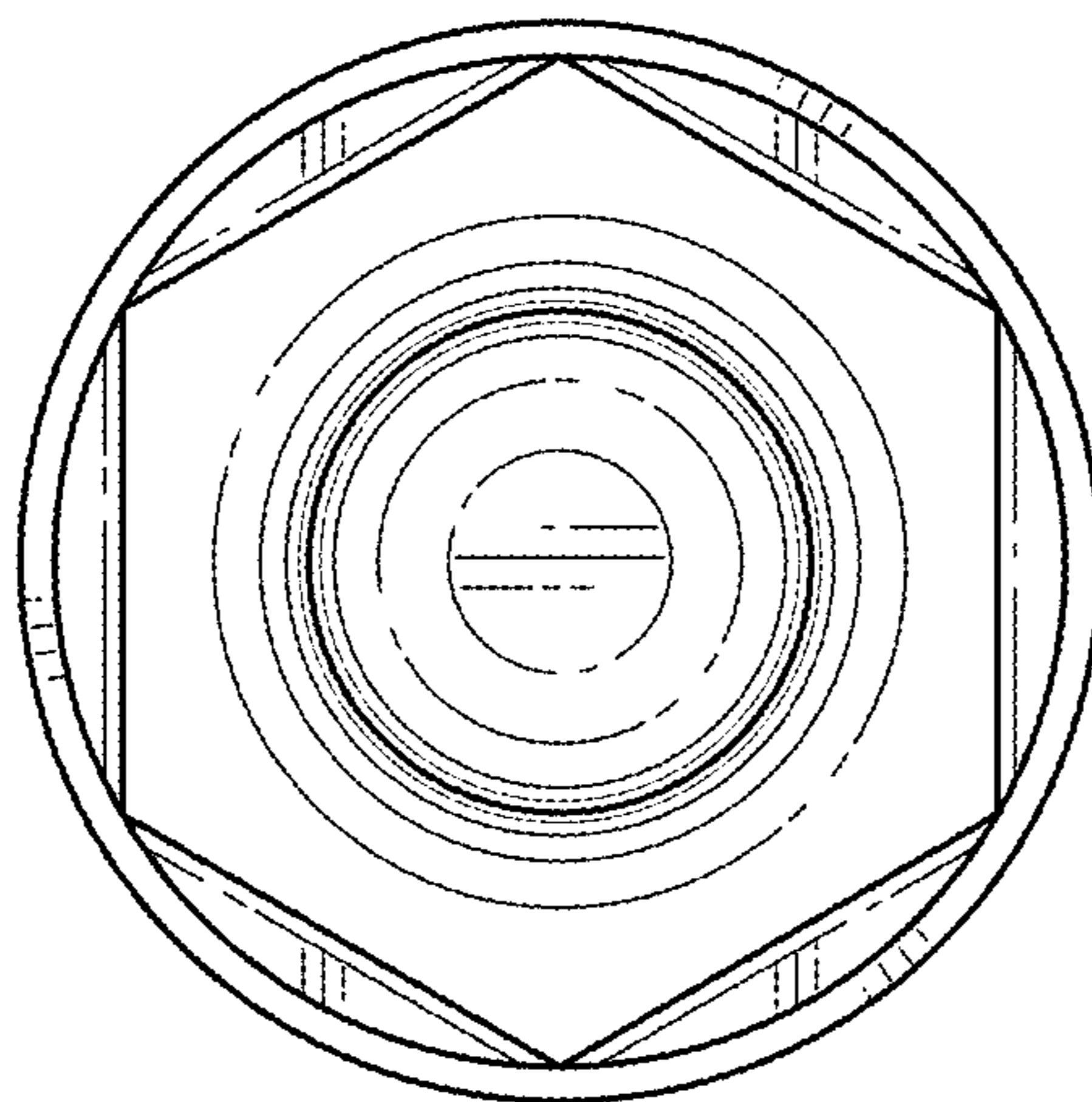


FIG. 8

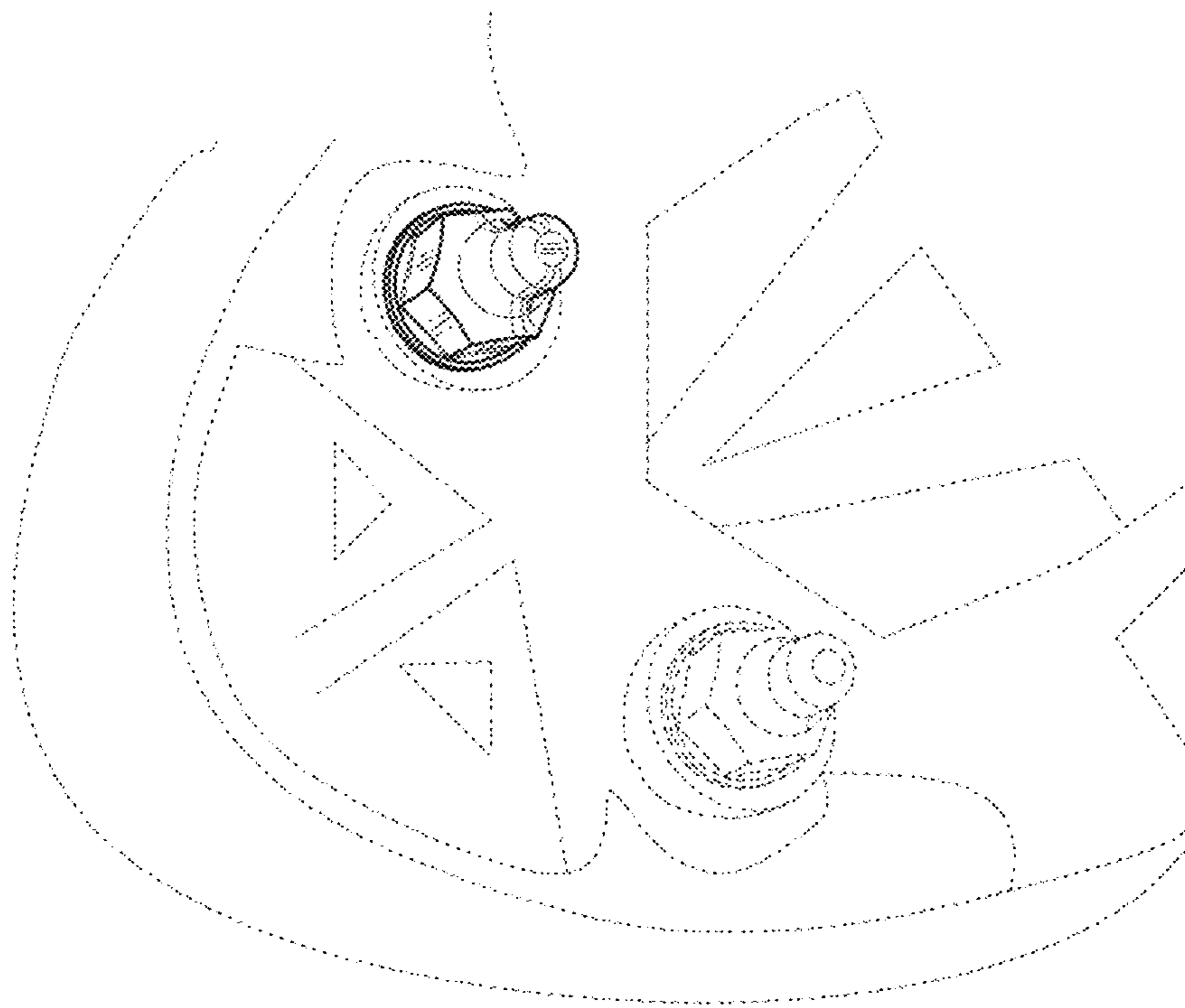


FIG. 9