



US00D792068S

(12) **United States Design Patent** (10) **Patent No.:** **US D792,068 S**
Lee (45) **Date of Patent:** **** Jul. 18, 2017**

(54) **SHOE OUTSOLE**

(71) Applicant: **Chinook Asia LLC**, Lake Oswego, OR (US)

(72) Inventor: **Sangmin Lee**, Lake Oswego, OR (US)

(73) Assignee: **Chinook Asia LLC**, Lake Oswego, OR (US)

(**) Term: **15 Years**

(21) Appl. No.: **29/535,624**

(22) Filed: **Aug. 7, 2015**

(51) **LOC (10) Cl.** **02-04**

(52) **U.S. Cl.**
USPC **D2/954**; D2/947; D2/951; D2/957;
D2/960

(58) **Field of Classification Search**

USPC D2/902, 906, 908, 916, 918, 925,
D2/946-962, 977; 36/3 B, 22 R, 24.5,
36/25 R, 28, 32 R, 34 R, 59 C, 67 A, 103
CPC A43B 13/00; A43B 13/02; A43B 13/023;
A43B 13/026; A43B 13/04; A43B 13/08;
A43B 13/10; A43B 13/12; A43B 13/14;
A43B 13/141; A43B 13/143; A43B
13/16; A43B 13/18; A43B 13/181; A43B
13/187; A43B 13/189; A43B 13/20; A43B
13/22; A43B 13/223; A43B 13/24; A43B
13/28; A43B 13/30; A43B 13/32; A43B
13/34; A43B 13/36

See application file for complete search history.

(56) **References Cited**

U.S. PATENT DOCUMENTS

3,237,322 A * 3/1966 Santore A43B 13/223
36/59 C
D305,955 S 2/1990 Hase
D321,589 S * 11/1991 Merk D2/954
D323,580 S 2/1992 Hoshimi
D323,928 S 2/1992 Claveria

D331,314 S 12/1992 Smith
D350,638 S 9/1994 Yoshikawa et al.
D350,641 S 9/1994 Kayano et al.
D351,717 S 10/1994 Kayano et al.
D353,257 S 12/1994 Kayano
D356,670 S 3/1995 Mitsui
D356,885 S * 4/1995 Poole, Jr. D2/957
D357,571 S 4/1995 Mitsui
D365,921 S 1/1996 von Conta et al.
D373,458 S 9/1996 Tanaka et al.
D373,898 S 9/1996 Bramani
D377,260 S * 1/1997 Bramani D2/954

(Continued)

OTHER PUBLICATIONS

Mar. 14, 2016, Office action from the U.S. Patent and Trademark Office in U.S. Appl. No. 29/498,615, which is another application of Applicant Chinook Asia LLC.

Primary Examiner — T. Chase Nelson

(74) *Attorney, Agent, or Firm* — Kolisch Hartwell, P.C.

(57)

CLAIM

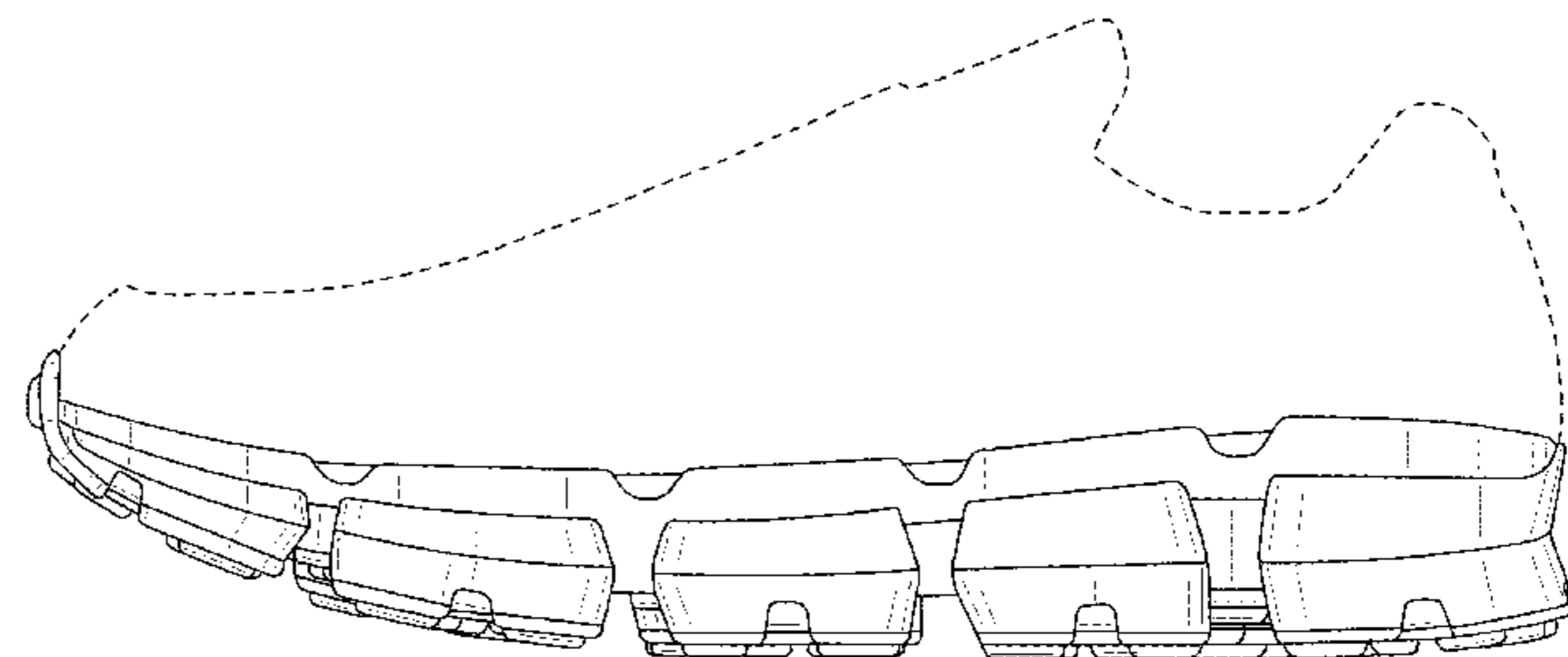
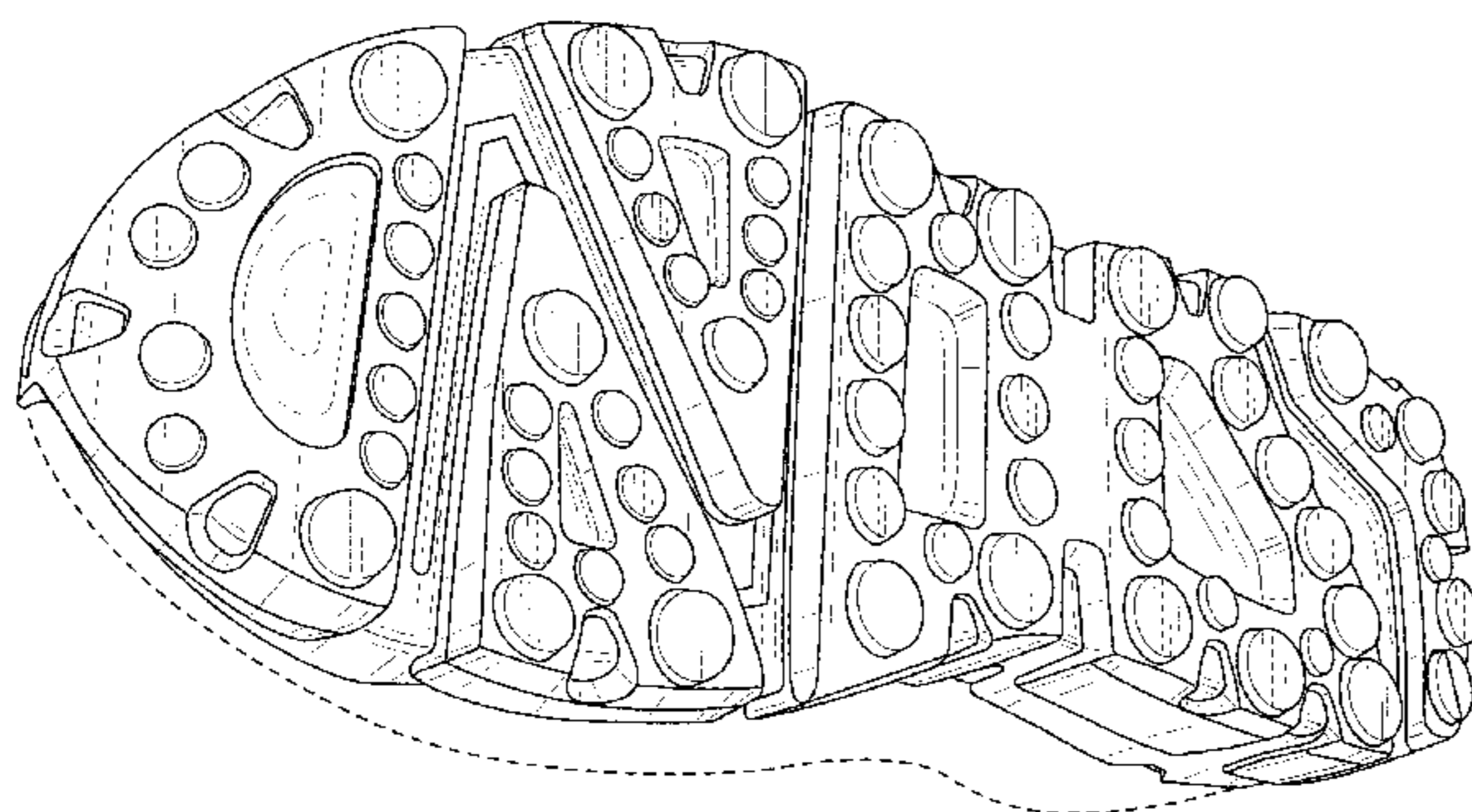
The ornamental design for a shoe outsole, as shown and described.

DESCRIPTION

FIG. 1 is a front and left side perspective view of a shoe outsole showing my new design;
FIG. 2 is a bottom perspective view thereof;
FIG. 3 is a front elevational view thereof;
FIG. 4 is rear elevational view thereof;
FIG. 5 is a right side elevational view thereof;
FIG. 6 is a left side elevational view thereof;
FIG. 7 is a top plan view thereof; and,
FIG. 8 is a bottom plan view thereof.

The dashed lines shown in the drawings are included for purposes of illustrating environmental structure. The dashed lines and structure they depict form no part of the claimed design.

1 Claim, 8 Drawing Sheets



(56)

References Cited

U.S. PATENT DOCUMENTS

D377,411 S 1/1997 Murray
 D377,859 S 2/1997 Bramani
 D378,318 S 3/1997 James
 D379,862 S 6/1997 Morgan
 D401,746 S * 12/1998 Brooks D2/960
 5,987,781 A * 11/1999 Pavesi A43B 13/20
 36/29
 6,076,283 A * 6/2000 Boie A43B 3/0057
 36/114
 D429,551 S 8/2000 Wilson
 D437,477 S 2/2001 Tyler
 D437,675 S 2/2001 Dahlsten
 D440,749 S * 4/2001 Rogers D2/953
 D460,854 S 7/2002 Hung
 D495,858 S * 9/2004 McClaskie D2/947
 D504,757 S 5/2005 Schoenborn et al.
 D511,878 S * 11/2005 Della Valle D2/908
 D512,819 S 12/2005 Usuki et al.
 D514,286 S 2/2006 Kayano et al.
 D546,036 S 7/2007 Schoenborn et al.
 D560,884 S * 2/2008 McClaskie D2/953
 D560,888 S * 2/2008 Della Valle D2/954
 D578,282 S * 10/2008 Duffy D2/951
 D591,944 S * 5/2009 Issler D2/951
 D593,740 S 6/2009 McClaskie
 D594,195 S 6/2009 Nakano
 D599,091 S * 9/2009 Della Valle D2/951
 D599,993 S * 9/2009 Issler D2/951
 D601,334 S 10/2009 Werman
 D604,483 S * 11/2009 Della Valle D2/923
 D604,932 S 12/2009 Le
 D611,233 S * 3/2010 Della Valle D2/907
 D611,236 S * 3/2010 Dombrow D2/951

D636,156 S * 4/2011 Della Valle D2/907
 D651,788 S * 1/2012 Raysse D2/951
 D656,720 S * 4/2012 Wawrousek D2/951
 D657,941 S 4/2012 Bramani et al.
 D661,882 S * 6/2012 Raysse D2/951
 D662,295 S * 6/2012 Raysse D2/951
 D663,517 S * 7/2012 Della Valle D2/951
 D663,929 S * 7/2012 Teng-Lee D2/951
 D674,177 S 1/2013 Earle
 D679,488 S * 4/2013 Raysse D2/951
 D680,312 S * 4/2013 Raysse D2/951
 D683,941 S * 6/2013 Raysse D2/951
 D685,984 S * 7/2013 Raysse D2/951
 D695,508 S 12/2013 Earle
 D695,509 S 12/2013 Earle
 D695,510 S 12/2013 Earle
 D697,297 S * 1/2014 McClaskie D2/951
 D702,429 S 4/2014 Earle
 D707,930 S * 7/2014 Raysse D2/951
 D723,774 S * 3/2015 Raysse D2/951
 D724,830 S 3/2015 Joseph
 D725,879 S * 4/2015 Teng-Lee D2/951
 D726,998 S * 4/2015 Mochen D2/906
 D730,638 S * 6/2015 Christensen D2/951
 D734,008 S * 7/2015 Marvin D2/951
 D734,930 S * 7/2015 Bikowski D2/951
 D741,587 S * 10/2015 Christopherson D2/951
 D741,588 S 10/2015 Weeks
 D746,561 S * 1/2016 Bikowski D2/951
 D763,560 S * 8/2016 Scofield D2/951
 D764,156 S * 8/2016 Della Valle D2/951
 2006/0021253 A1 2/2006 Pasternak et al.
 2007/0011914 A1 * 1/2007 Keen A43B 1/14
 36/50.1
 2009/0139114 A1 6/2009 Malek
 2014/0082968 A1 3/2014 Binzer

* cited by examiner

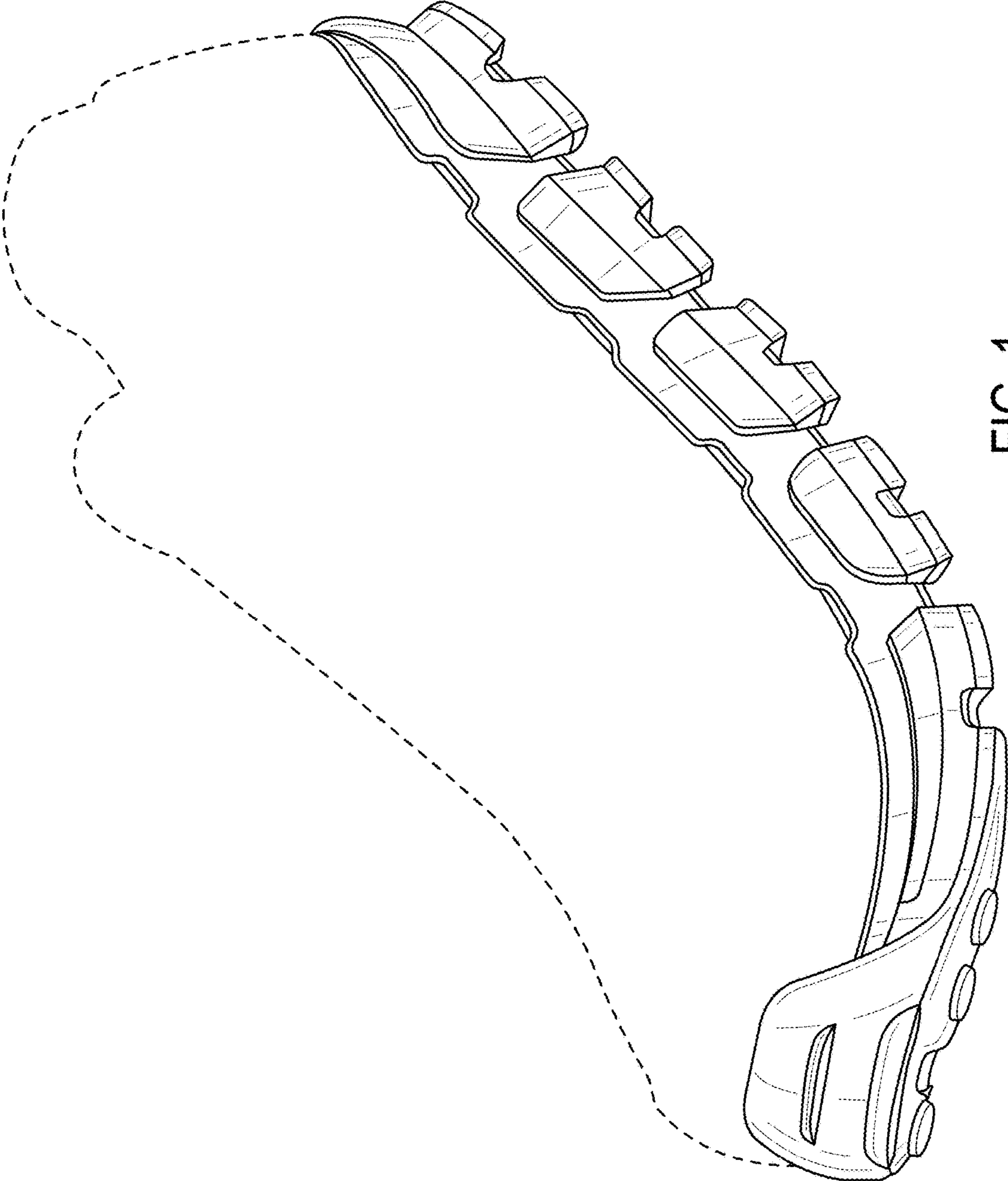


FIG. 1

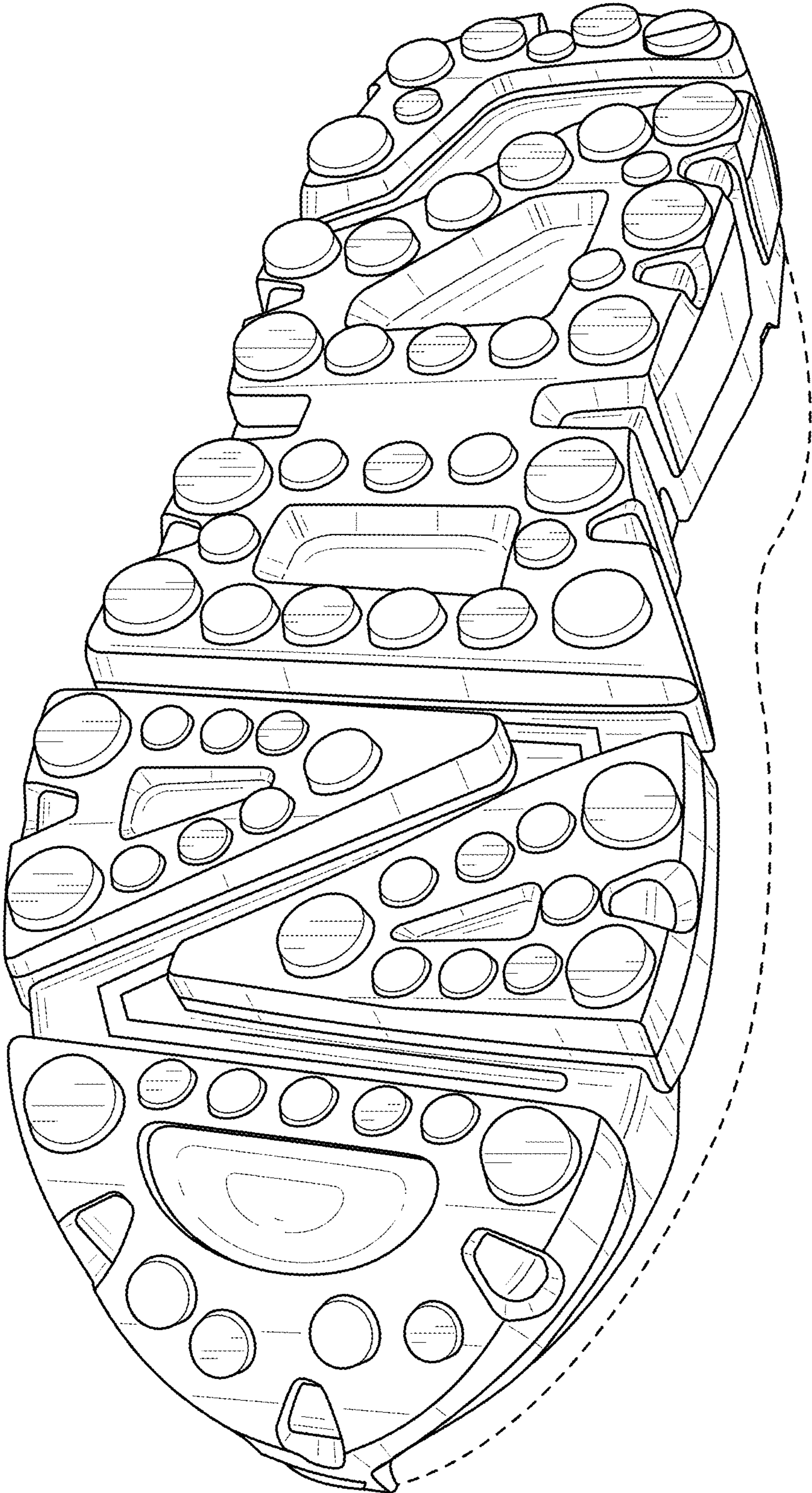


FIG. 2

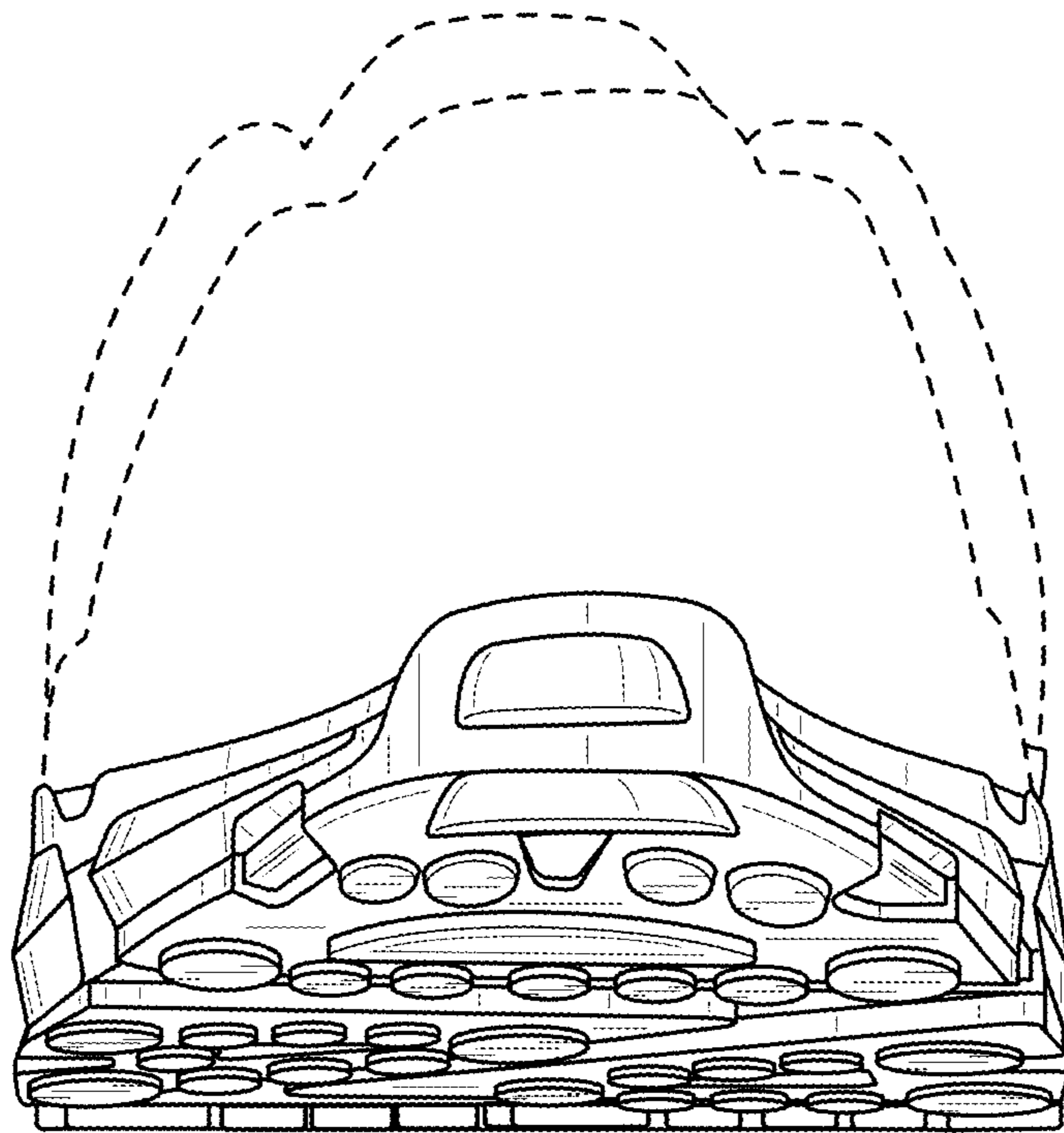


FIG. 3

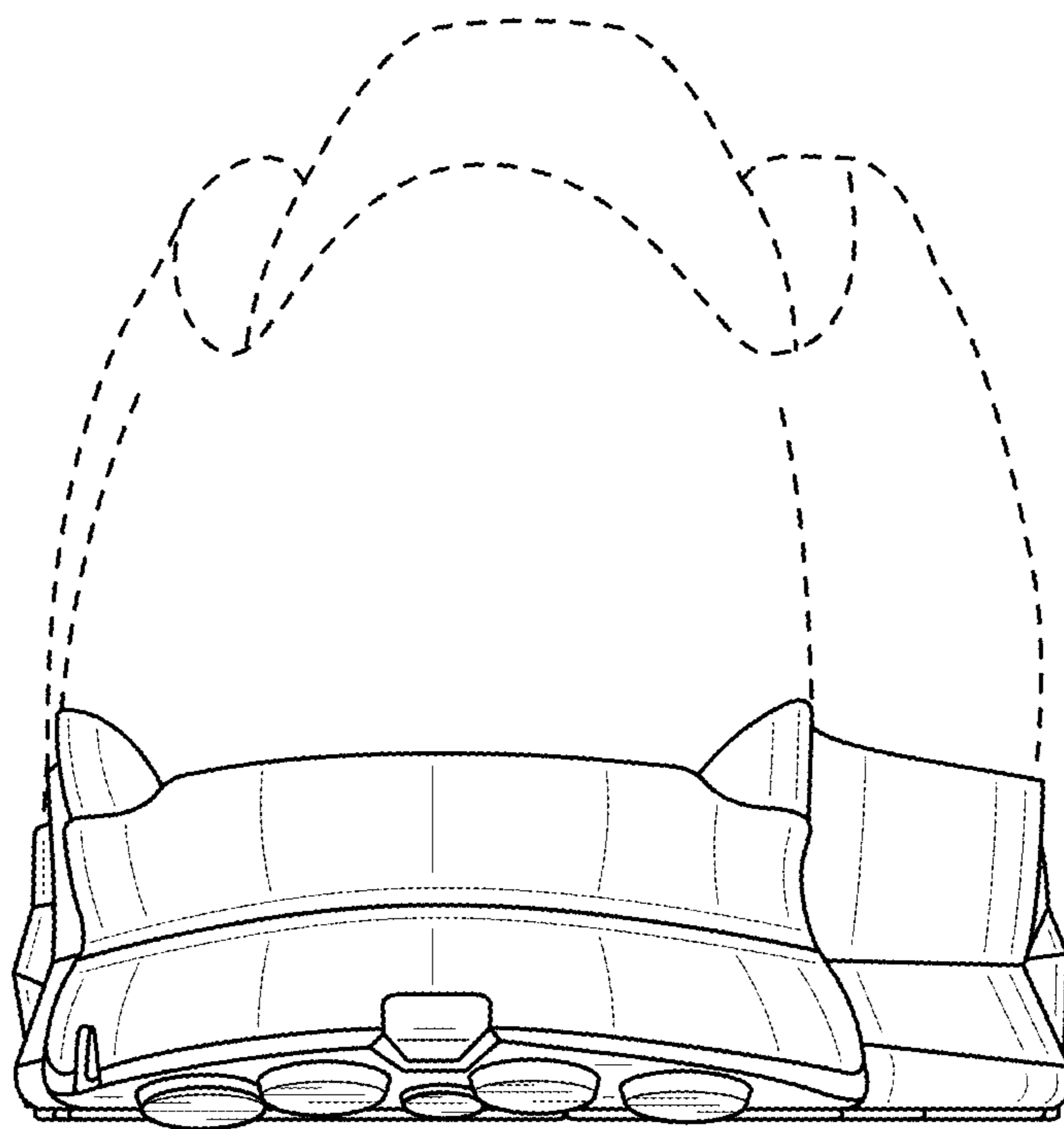


FIG. 4

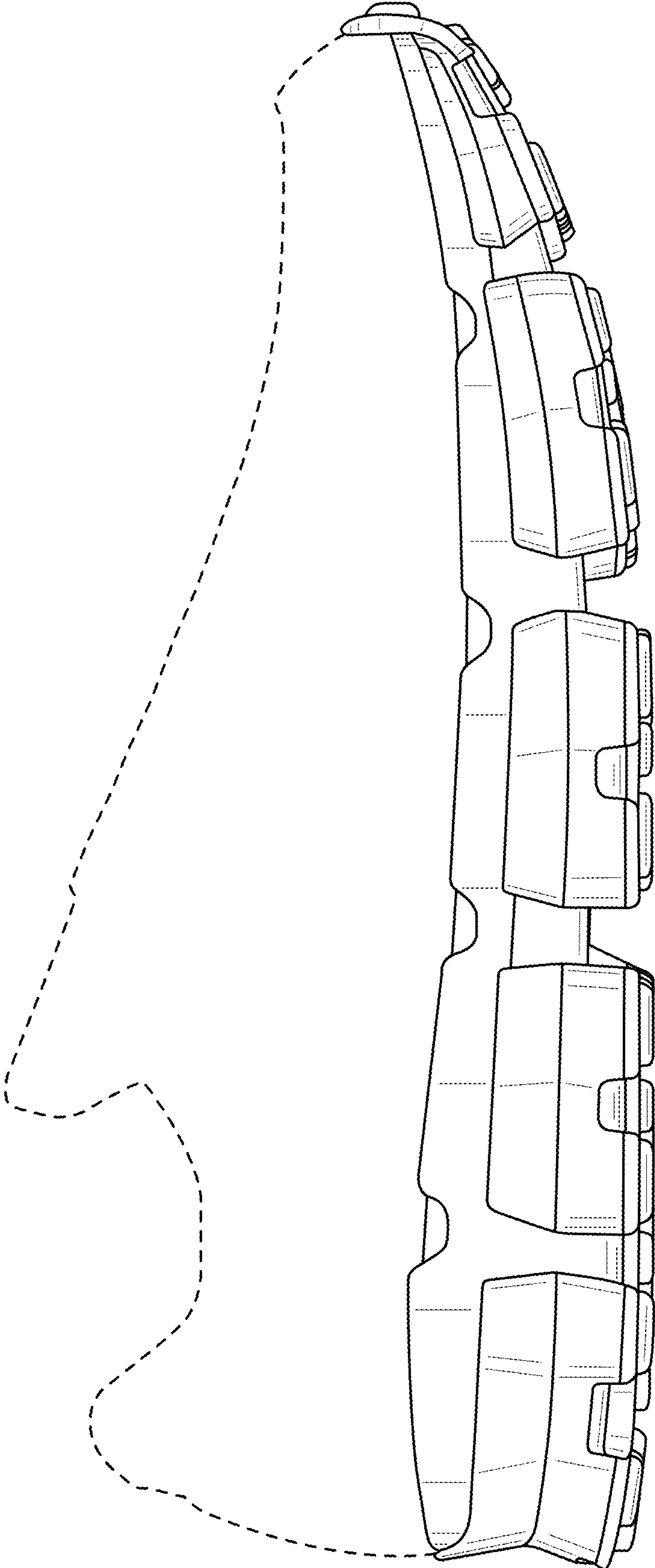


FIG. 5

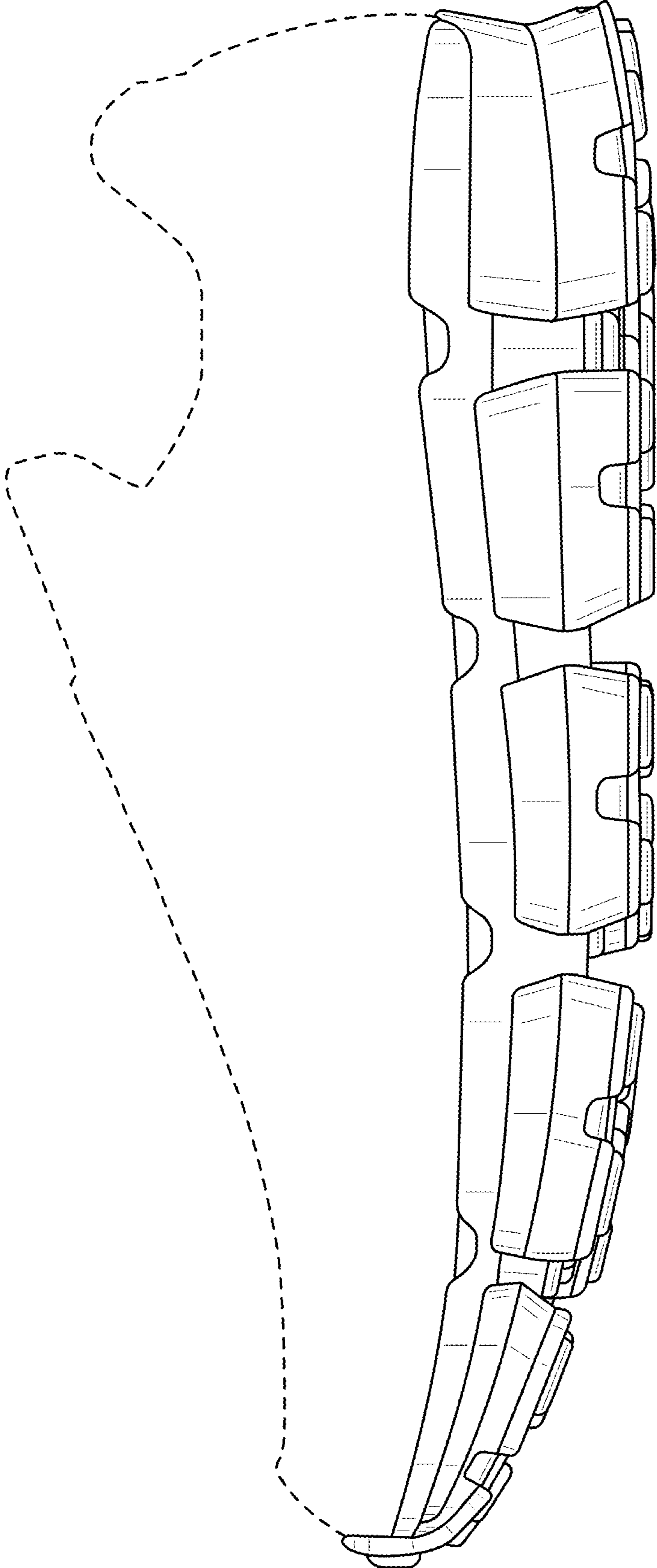


FIG. 6

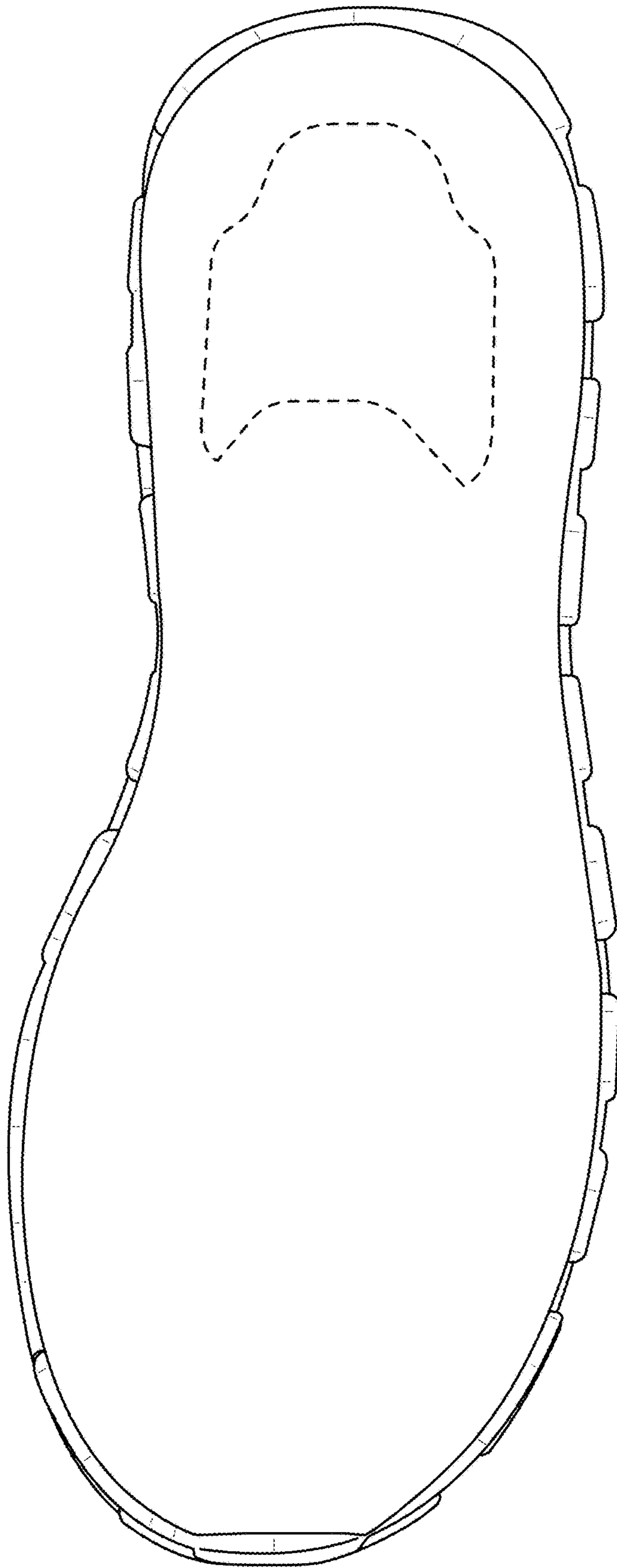


FIG. 7

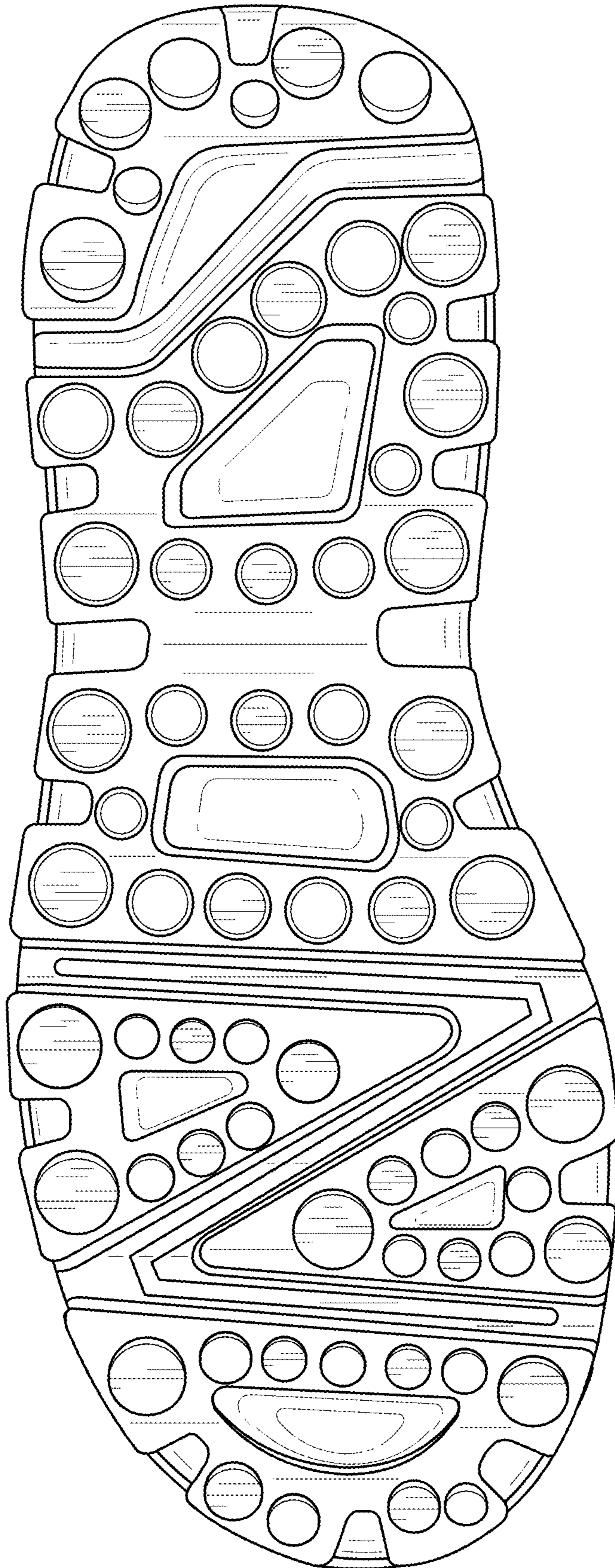


FIG. 8