



US00D792059S

(12) **United States Design Patent** (10) **Patent No.:** **US D792,059 S**
Harkey (45) **Date of Patent:** **** Jul. 18, 2017**

(54) **GARMENT WITH HAND COVERINGS**

(71) Applicant: **Naomi Harkey**, Summerfield, NC (US)

(72) Inventor: **Naomi Harkey**, Summerfield, NC (US)

(**) Term: **15 Years**

(21) Appl. No.: **29/545,274**

(22) Filed: **Nov. 11, 2015**

(51) **LOC (10) Cl.** **02-02**

(52) **U.S. Cl.**

USPC **D2/841**

(58) **Field of Classification Search**

USPC D2/728, 840, 841, 847, 700, 717, 718,

D2/750, 749, 755; 2/113, 115, 275, 69

CPC ... A41D 1/14; A41D 1/04; A41D 1/00; A41D

27/20; A41B 9/08; A61F 5/37; B64D

10/00; A47G 25/904; B60N 2/265

See application file for complete search history.

(56) **References Cited**

U.S. PATENT DOCUMENTS

4,359,784	A	11/1982	Harrington	2/269
4,756,027	A	7/1988	Buenos et al.	2/123
4,860,386	A *	8/1989	Martin	A61F 5/37
					112/441
5,153,938	A *	10/1992	Epperson	B64D 10/00
					2/2.14
D449,422	S	10/2001	Massie	D2/614
7,377,410	B1 *	5/2008	Webb	A47G 25/904
					223/111
D616,626	S	6/2010	Gardella	D2/622

D642,770	S *	8/2011	Bengyak	D2/840
D695,491	S *	12/2013	Hawkins	D2/750
D745,254	S *	12/2015	Foy	D2/841
D747,847	S *	1/2016	Hayward	D2/755
2006/0260019	A1	11/2006	Kraus et al.	2/69
2010/0325776	A1	12/2010	Korver	2/158
2013/0232658	A1	9/2013	Thomas	2/69
2014/0132055	A1 *	5/2014	Jenkins	B60N 2/265
					297/465
2016/0199684	A1 *	7/2016	Gottfried	A41B 1/08
					2/69
2016/0324236	A1 *	11/2016	Schrimpf	A41D 27/20

* cited by examiner

Primary Examiner — Susan Bennett Hattan

Assistant Examiner — Rebecca Tsehaye

(74) *Attorney, Agent, or Firm* — MacCord Mason PLLC

(57) **CLAIM**

The ornamental design for a garment with hand coverings, as shown and described.

DESCRIPTION

FIG. 1 is a front elevation view of a garment with hand covering showing my new design;

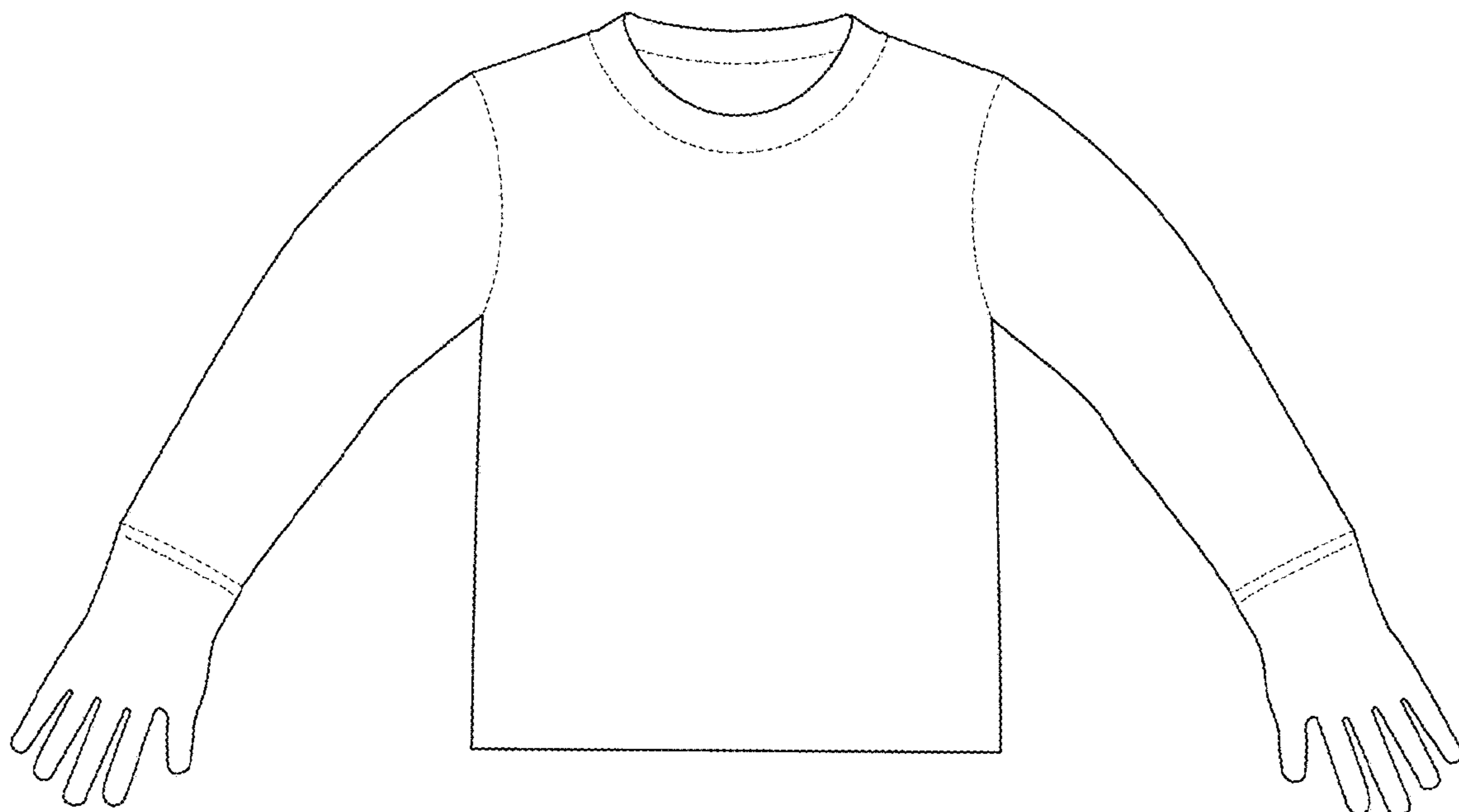
FIG. 2 is a back elevation view thereof;

FIG. 3 is a front elevation view of a second embodiment of a garment with hand coverings showing my new design; and,

FIG. 4 is a rear elevation view thereof.

The broken lines shown in the drawings depict portions of the garment with hand covering that form no part of the claimed design.

1 Claim, 4 Drawing Sheets



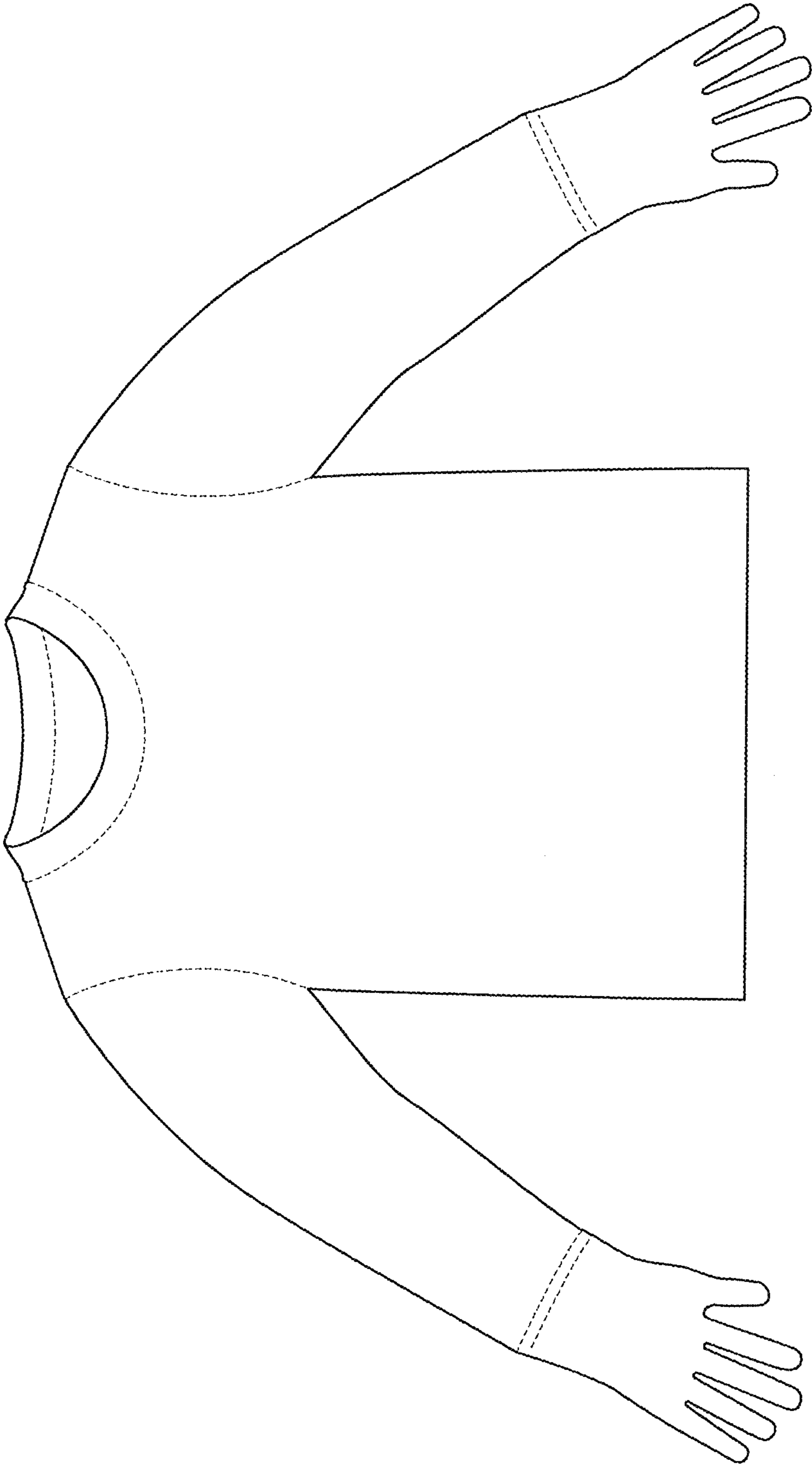


FIG. 1

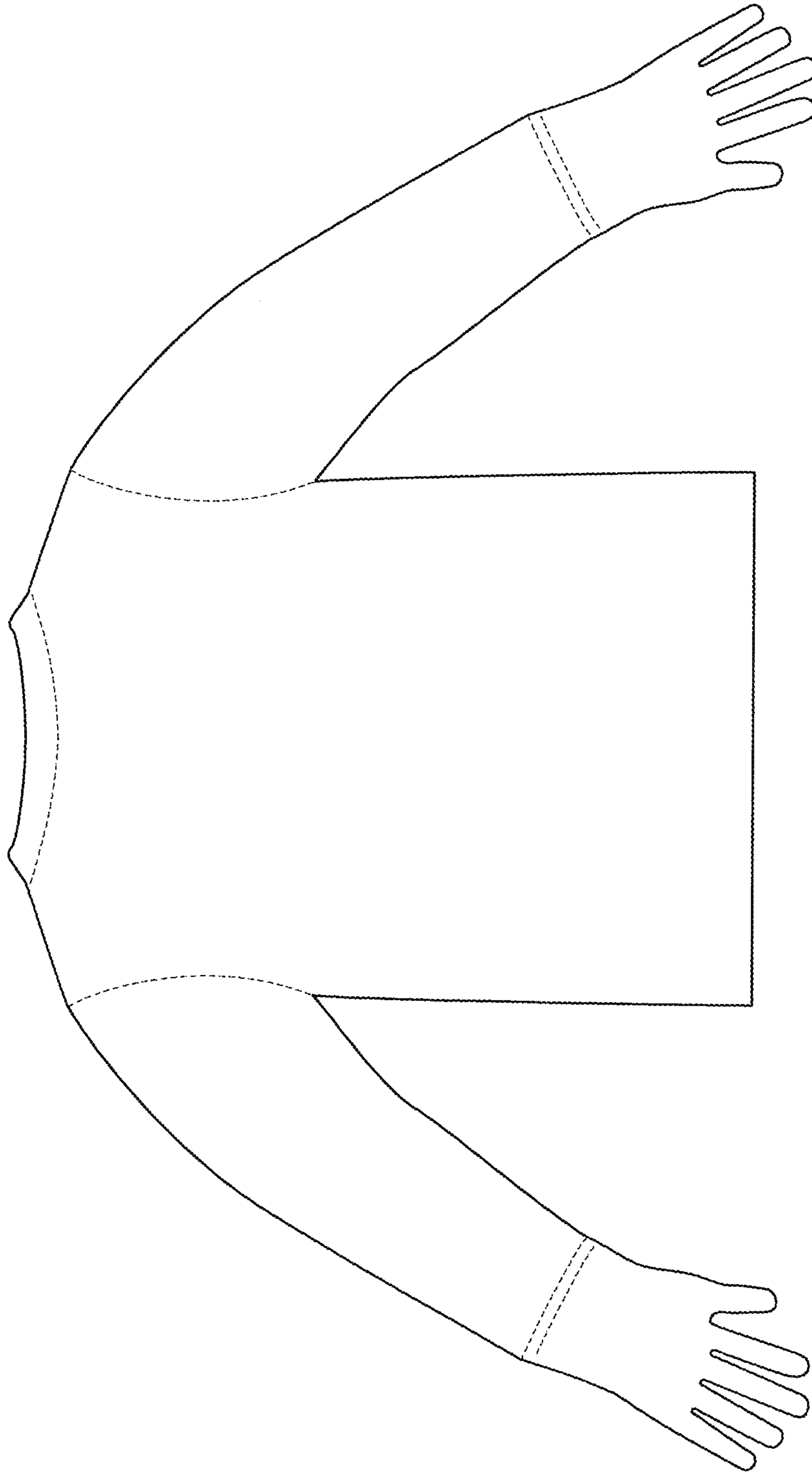


FIG. 2

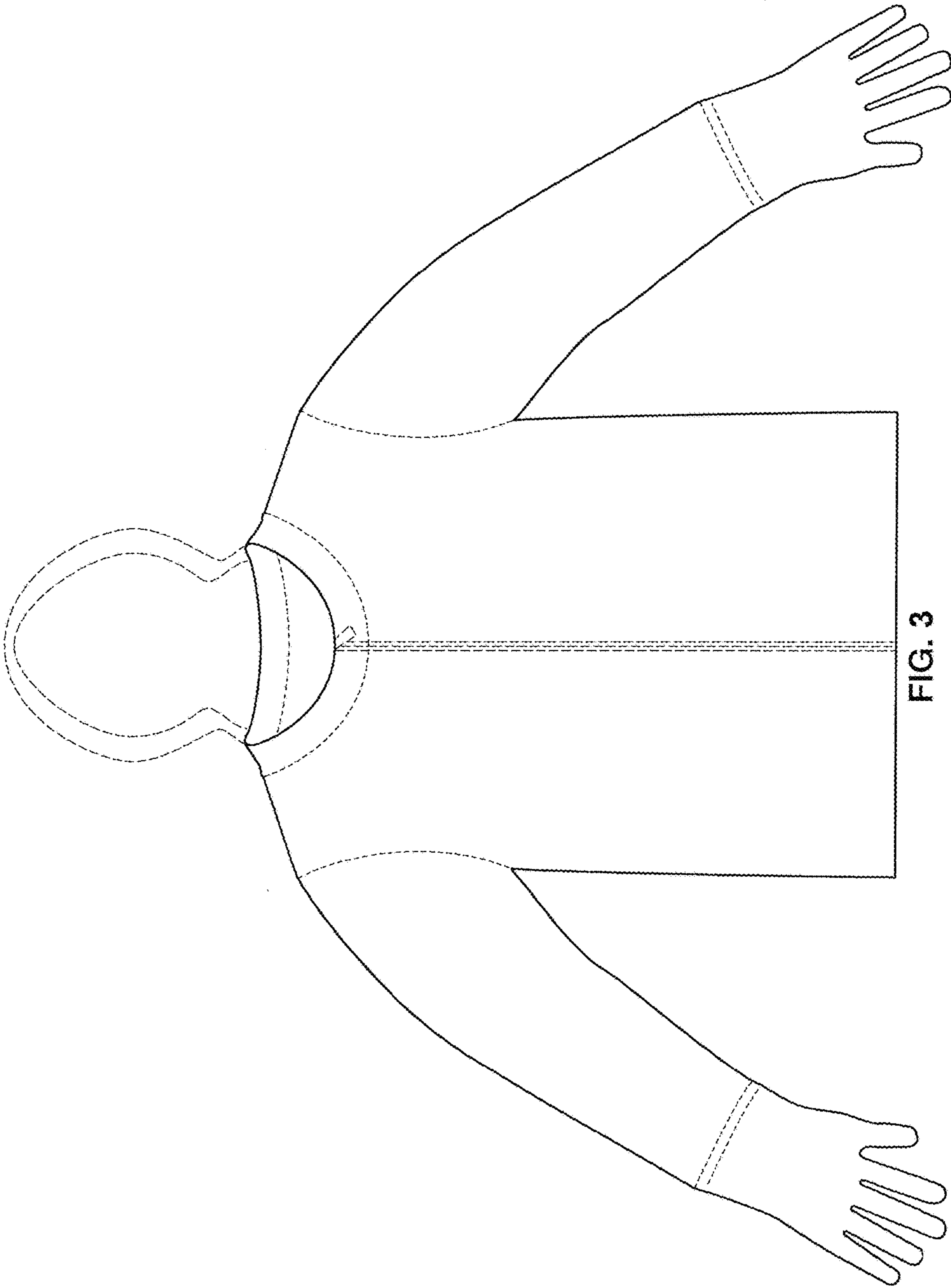


FIG. 3

