



US00D792057S

(12) **United States Design Patent**
Krocheski et al.

(10) **Patent No.:** **US D792,057 S**

(45) **Date of Patent:** **** Jul. 18, 2017**

(54) **PAIR OF SHORTS WITH A BOTTLE
OPENER WITH POCKET**

D760,997 S * 7/2016 Gallo D2/731
D762,946 S * 8/2016 McArthur D2/731
D770,132 S * 11/2016 Burke D2/731

(Continued)

(71) Applicant: **Taparoos, LLC**, Plano, TX (US)

Primary Examiner — Wan Laymon

(72) Inventors: **Matthew Krocheski**, Dallas, TX (US);
Jake Krocheski, Plano, TX (US);
Deborah Krocheski, Plano, TX (US)

Assistant Examiner — Clint A Samuel

(74) *Attorney, Agent, or Firm* — Chainey P. Singleton;
Chalker Flores, LLP

(73) Assignee: **TAPAROOS, LLC**, Plano, TX (US)

(57) **CLAIM**

The ornamental design for a pair of shorts with a bottle
opener with pocket, as shown and described.

(**) Term: **15 Years**

DESCRIPTION

(21) Appl. No.: **29/535,058**

FIG. 1 is an isometric view of my new design showing a pair
of shorts with a bottle opener outside of a bottle opener
pocket.

(22) Filed: **Aug. 3, 2015**

(51) **LOC (10) Cl.** **02-02**

FIG. 2 is a front view of my new design showing a pair of
shorts with a bottle opener inside a bottle opener pocket.

(52) **U.S. Cl.**

USPC **D2/731**

FIG. 3 is a side view of my new design showing a pair of
shorts.

(58) **Field of Classification Search**

USPC D2/700, 702–706, 717, 721, 728–732,
D2/742, 735–738, 785, 917; 2/67, 227,
2/228; 450/1, 28, 85; 30/418; 81/309;
D8/18, 34, 40; D11/218

FIG. 4 is a side view of my new design showing a pair of
shorts with a bottle opener inside a bottle opener pocket.

CPC ... A41B 1/00; A41D 7/00; A41D 1/06; A41D
13/0525; A41D 13/0562

FIG. 5 is a top view of my new design showing a pair of
shorts with a bottle opener inside a bottle opener pocket.

See application file for complete search history.

FIG. 6 is an isometric view of my new design showing a pair
of shorts with a bottle opener inside a bottle opener pocket.

(56) **References Cited**

U.S. PATENT DOCUMENTS

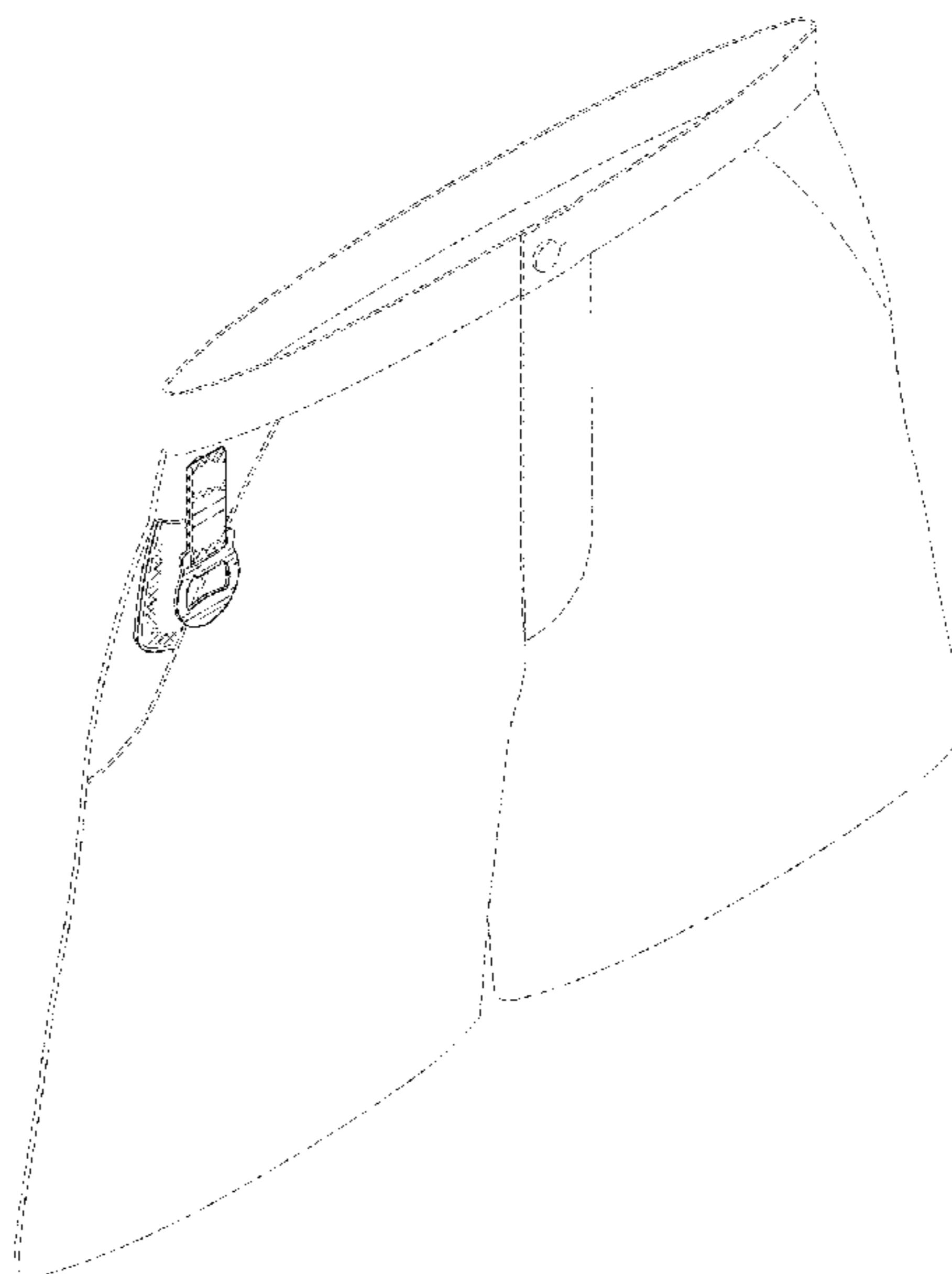
D584,885 S * 1/2009 Contreras D2/917
D615,279 S * 5/2010 Savage D2/731
D622,115 S * 8/2010 Smith D8/18
D626,393 S * 11/2010 Ormsbee D8/18
D646,868 S * 10/2011 Hutchinson D2/742
D659,951 S * 5/2012 Leeper D2/853
D661,559 S * 6/2012 O'Connell D8/18
D687,214 S * 8/2013 Farina D2/742
D742,096 S * 11/2015 Darmour D2/742

FIG. 7 is a front view of my new design showing the bottle
opener removed from bottle opener pocket for easier illus-
tration. The broken lines in FIG. 7 represent stitching which
is unclaimed subject matter; and,

FIG. 8 is a back view of my new design showing the bottle
opener removed from bottle opener pocket for easier illus-
tration. The broken lines in FIG. 8 represent stitching and a
snap each of which is unclaimed subject matter.

The broken lines shown in the Figures are included for the
purpose of illustrating portions of a pair of shorts with bottle
opener with pocket and form no part of the claimed design.

1 Claim, 6 Drawing Sheets



(56)

References Cited

U.S. PATENT DOCUMENTS

D770,133 S * 11/2016 Burke D2/731
D772,535 S * 11/2016 McArthur D2/731
D773,778 S * 12/2016 Darby D2/742
2014/0276325 A1* 9/2014 Turkbash A41D 13/0525
602/72
2016/0073697 A1* 3/2016 Nezat A41B 17/00
2/113

* cited by examiner

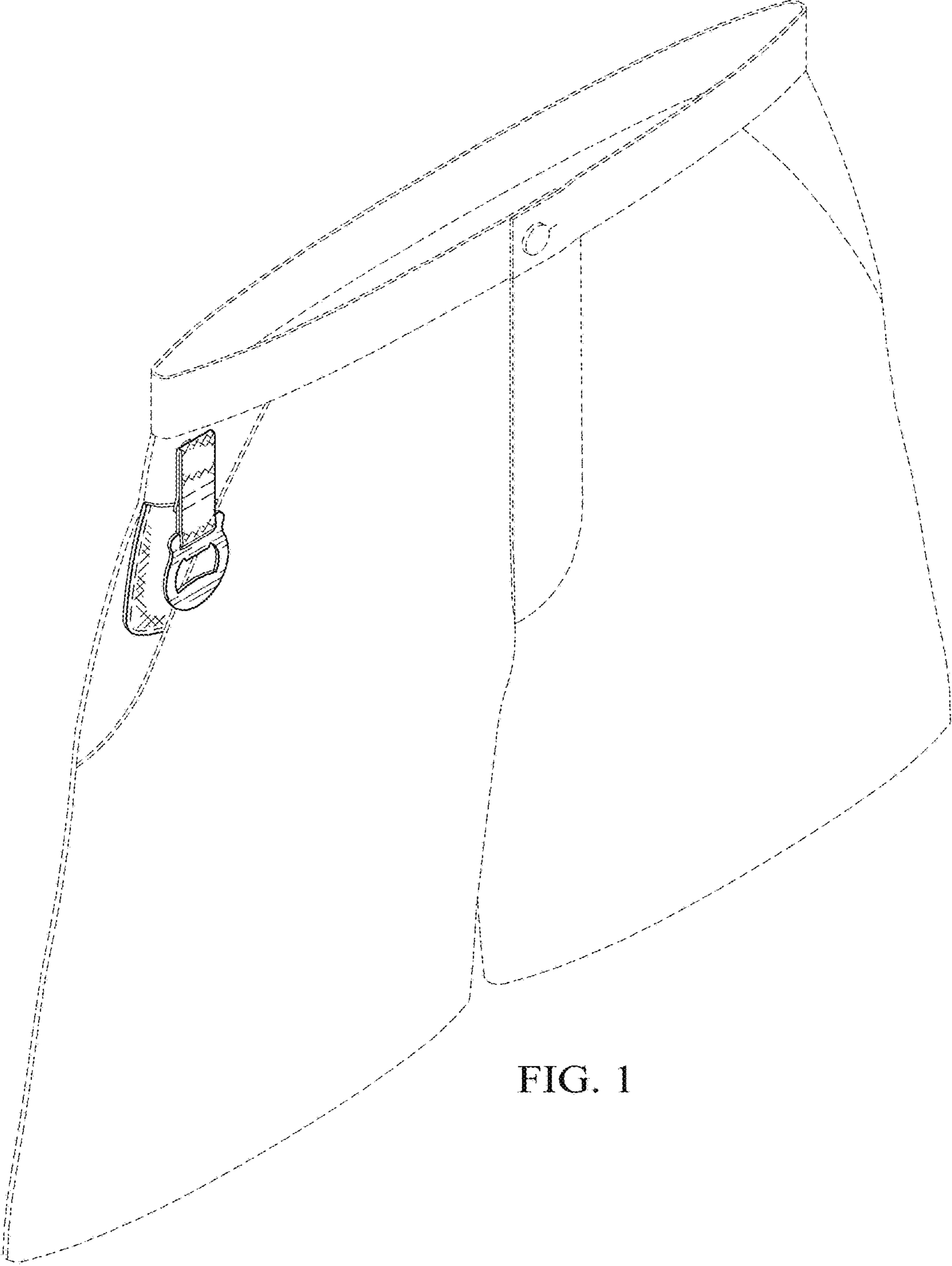


FIG. 1

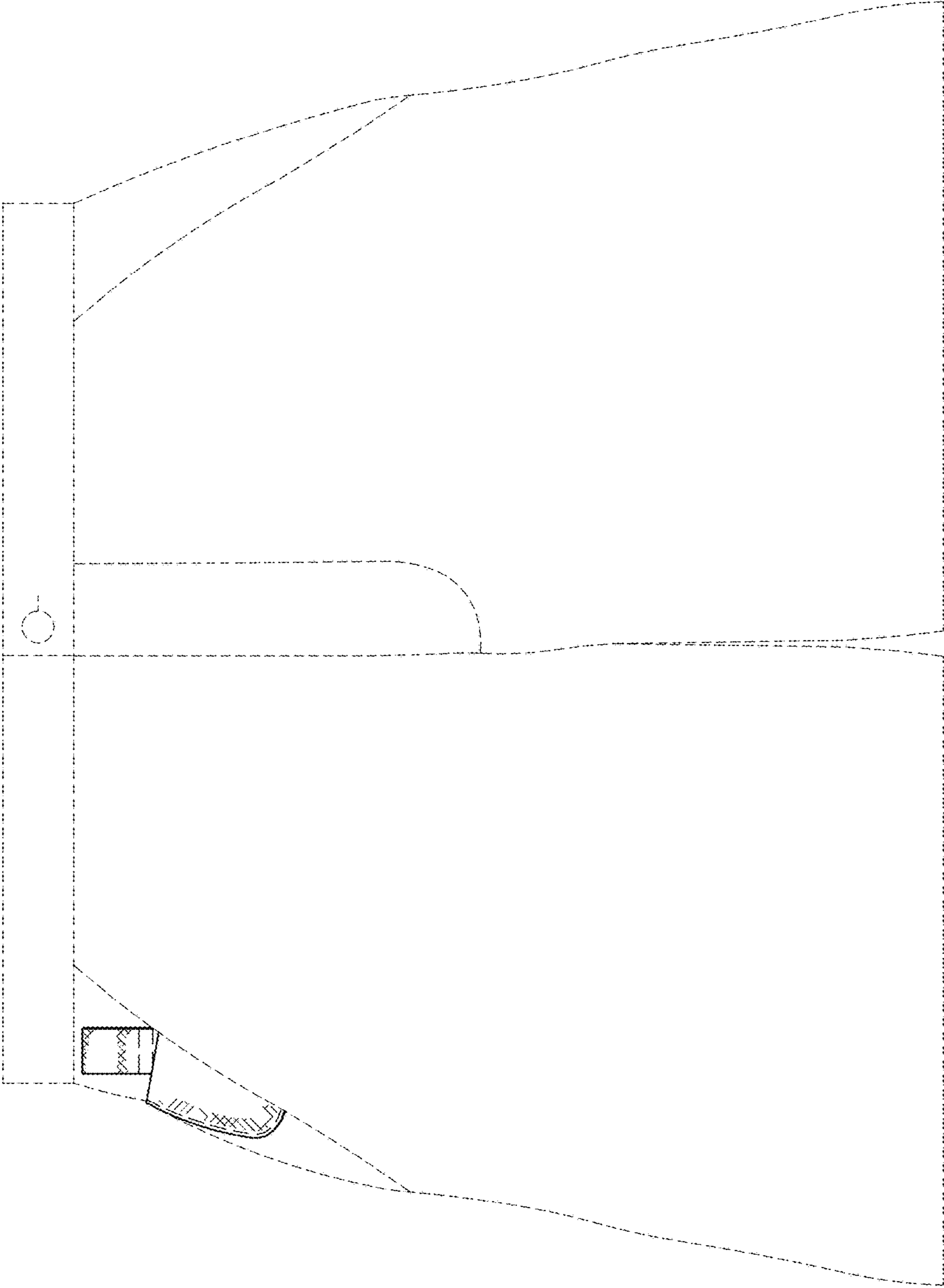


FIG. 2

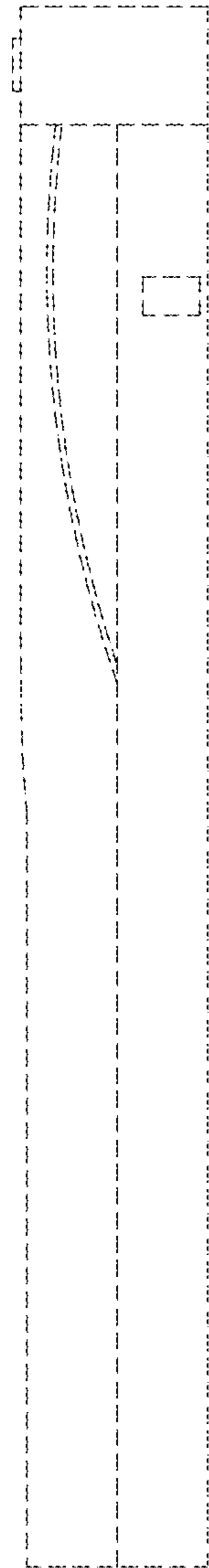


FIG. 3

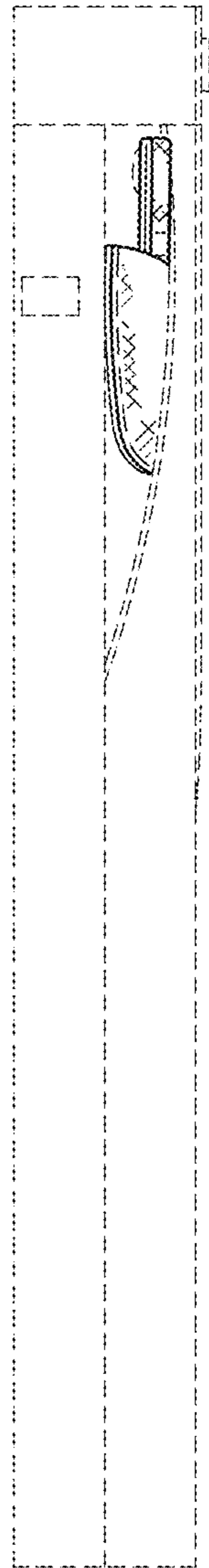


FIG. 4

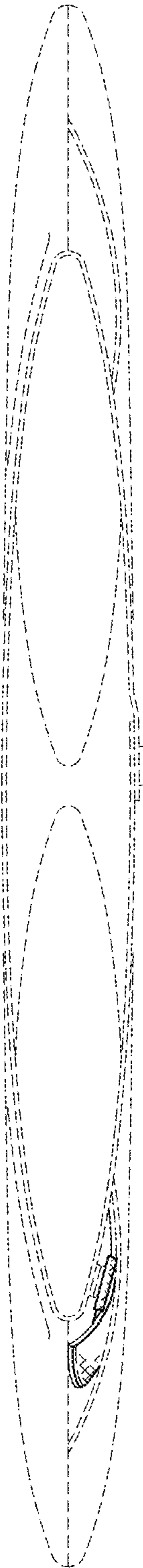


FIG. 5

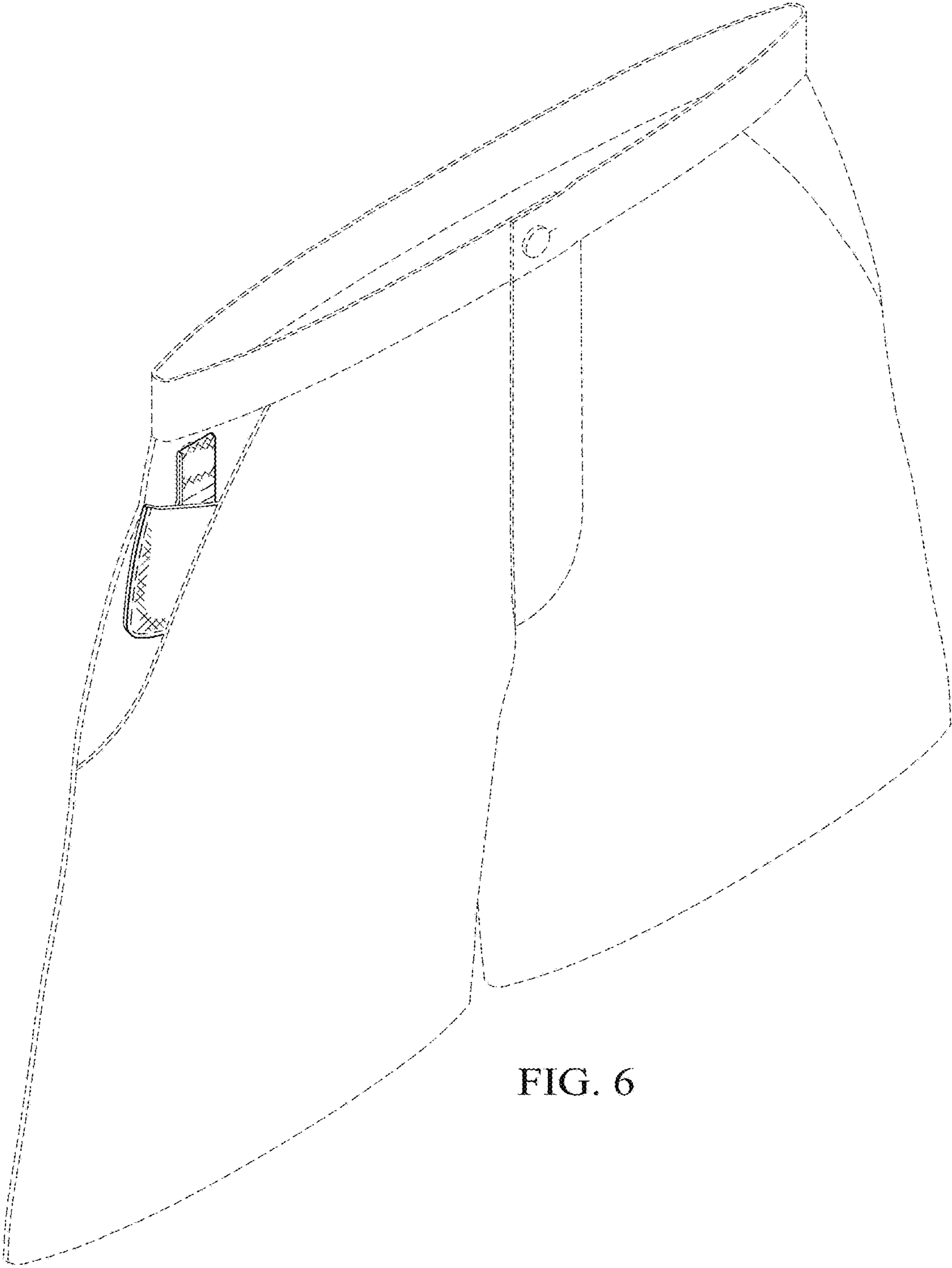


FIG. 6

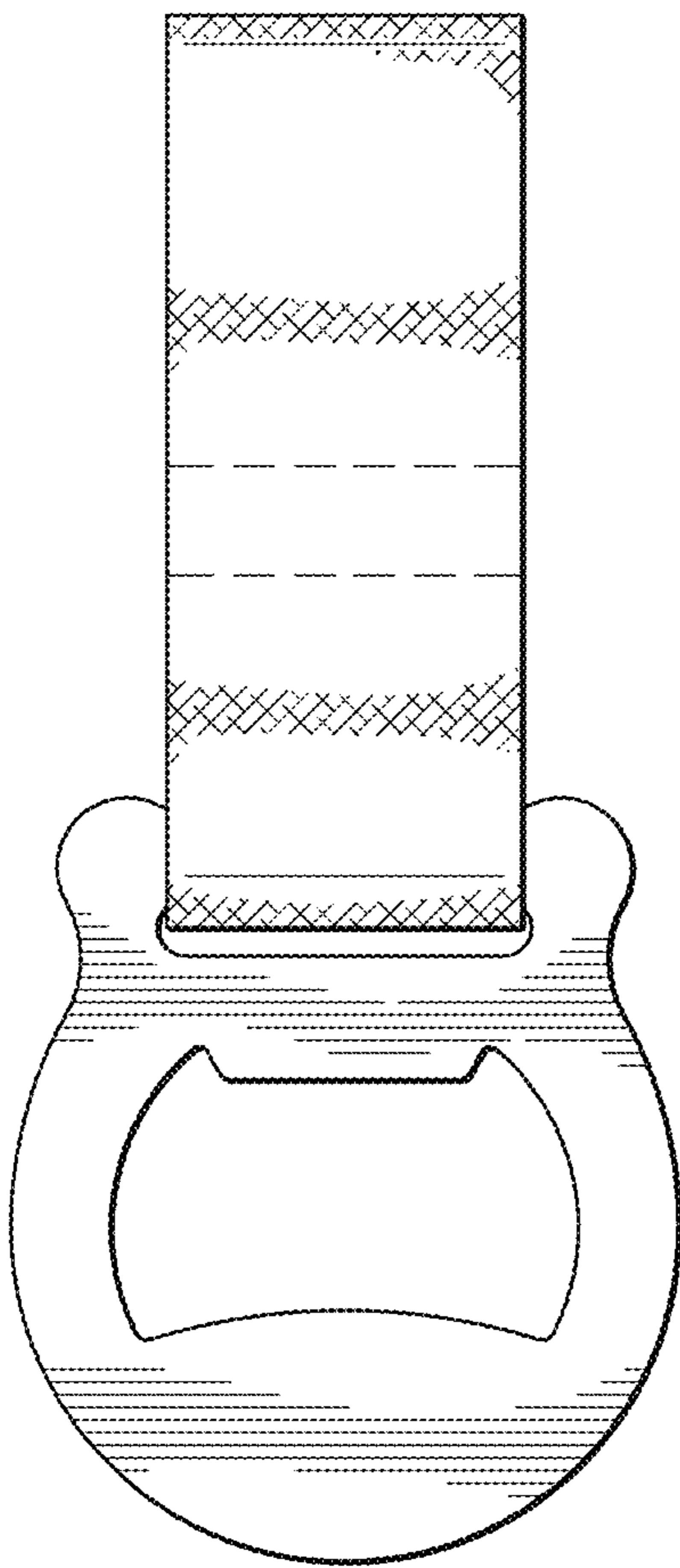


FIG. 7

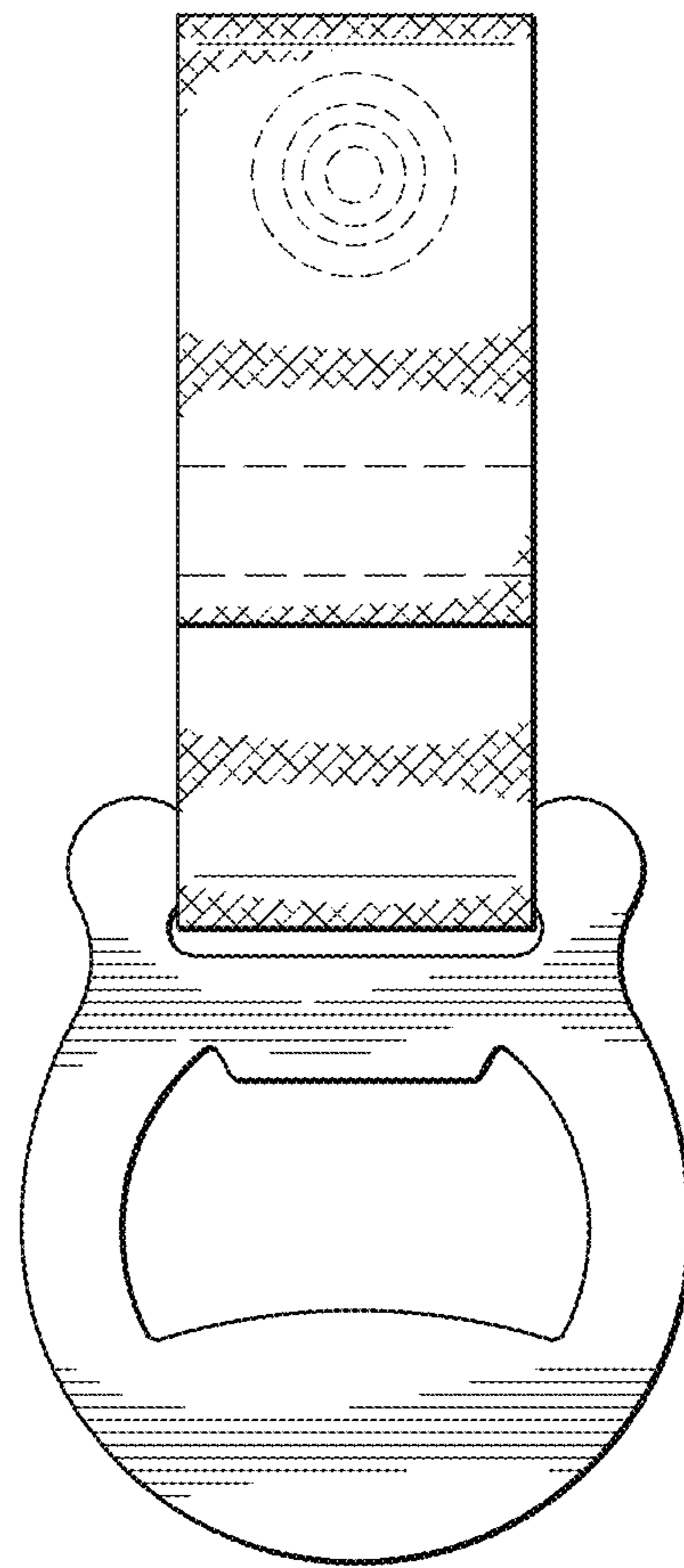


FIG. 8