



US00D792056S

(12) **United States Design Patent** (10) **Patent No.:** **US D792,056 S**  
**Reese et al.** (45) **Date of Patent:** **\*\* Jul. 18, 2017**

- (54) **MEDICAL GOWN**
- (71) Applicant: **Prestige Ameritech, Ltd.**, North Richland Hills, TX (US)
- (72) Inventors: **George Daniel Reese**, North Richland Hills, TX (US); **Donna L. Reese**, North Richland Hills, TX (US)
- (73) Assignee: **Prestige Ameritech, Ltd.**, North Richland Hills, TX (US)
- (\*\*) Term: **15 Years**
- (21) Appl. No.: **29/528,699**
- (22) Filed: **May 30, 2015**
- (51) **LOC (10) Cl.** ..... **02-01**
- (52) **U.S. Cl.**  
USPC ..... **D2/720**
- (58) **Field of Classification Search**  
USPC ..... D2/720, 717, 739, 718, 797, 840, 841, D2/844, 847-850  
CPC ..... A41D 13/12; A41D 13/1209; A41D 13/1236; A41D 13/1245  
See application file for complete search history.

- D687,209 S \* 8/2013 Levine ..... D2/720
- D690,078 S \* 9/2013 Anderson ..... D2/720
- D721,869 S \* 2/2015 Bernier ..... D2/720
- D736,493 S \* 8/2015 Pasko ..... A41D 13/129  
D2/720
- D741,044 S \* 10/2015 Pasko ..... D2/720
- D774,729 S \* 12/2016 Pasko ..... D2/720

(Continued)

*Primary Examiner* — George D. Kirschbaum  
*Assistant Examiner* — Clese Moore, Jr.  
(74) *Attorney, Agent, or Firm* — Betsy Kingsbury Dowd; BKDowd Law, PC

(57) **CLAIM**

The ornamental design for a medical gown, as depicted and described.

**DESCRIPTION**

FIG. 1 is a rear view of a medical gown depicting our new design;  
FIG. 2 is a front view of the medical gown depicted in FIG. 1;  
FIG. 3 is a front view of the medical gown depicted in FIG. 1 as worn by a user in an open configuration;  
FIG. 4 is a rear view of the medical gown depicted in FIG. 1 as worn by a user in an open configuration;  
FIG. 5 is a front view of the medical gown depicted in FIG. 1 as worn by a user in a closed configuration;  
FIG. 6 is a rear view of the medical gown depicted in FIG. 5 as worn by a user in a closed configuration;  
FIG. 7 is a detailed rear view of the medical gown depicted in FIG. 1; and,  
FIG. 8 is a detailed front view of the medical gown depicted in FIG. 1.

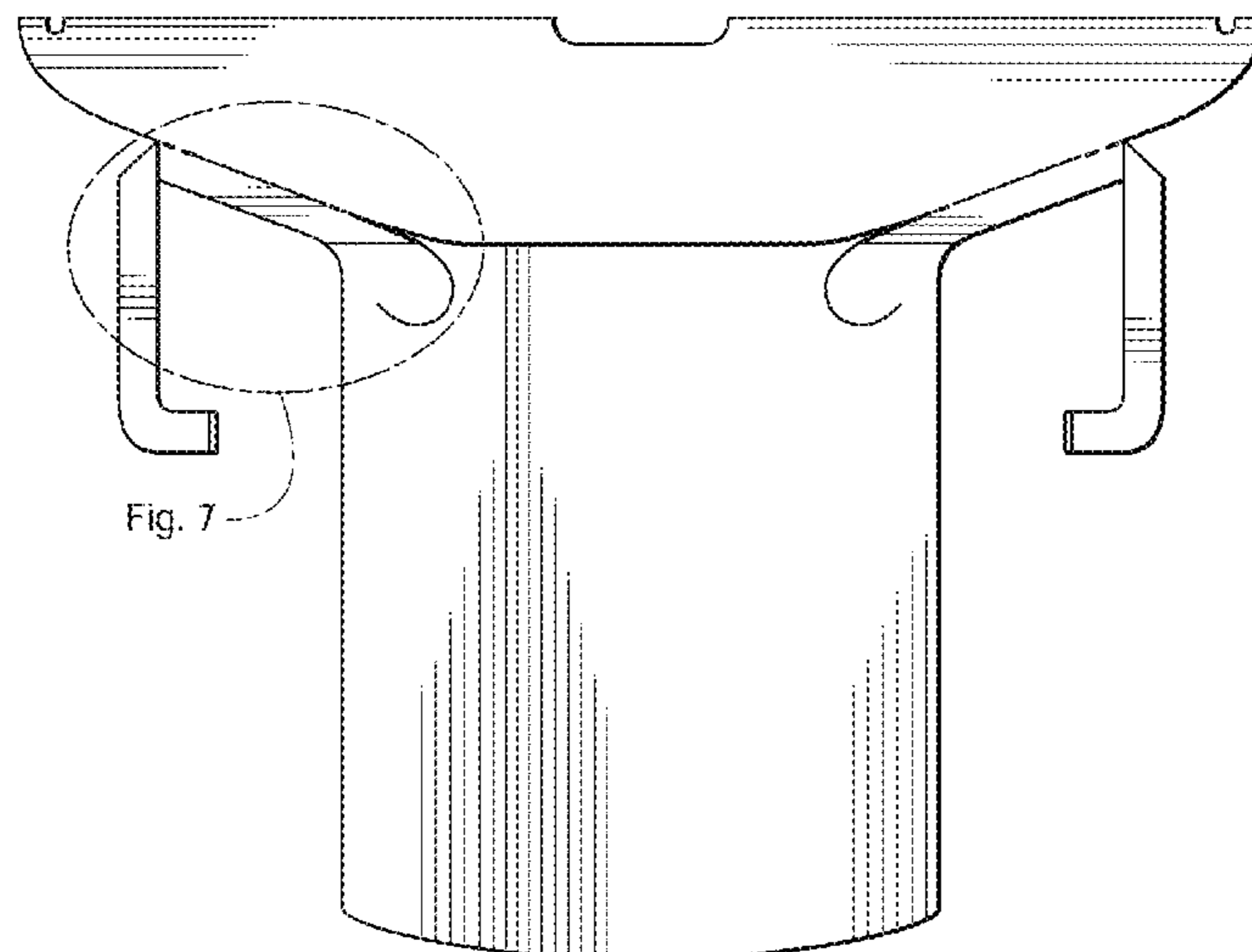
The broken lines shown illustrate portions of the medical gown that form no part of the claimed design. The elongated ellipses depicted in detailed views FIGS. 7 and 8, as well as their corresponding views, represent perforations on the article.

**1 Claim, 5 Drawing Sheets**

(56) **References Cited**

U.S. PATENT DOCUMENTS

- 3,911,499 A \* 10/1975 Benevento ..... A41D 13/1209  
2/114
- 4,075,716 A \* 2/1978 Collins
- 4,608,719 A \* 9/1986 Lunt ..... A41D 13/1209  
2/114
- D305,575 S \* 1/1990 Gordon ..... D2/720
- D393,140 S \* 4/1998 Shannon ..... D2/700
- D469,945 S \* 2/2003 Mayer ..... D2/720
- D495,468 S \* 9/2004 Wheeler-Dickson ..... D2/720
- D533,982 S 12/2006 Graneto, III
- D598,638 S 8/2009 Graneto, III
- 7,971,274 B2 7/2011 Graneto, III
- D647,688 S \* 11/2011 Hilgart ..... D2/720



(56)

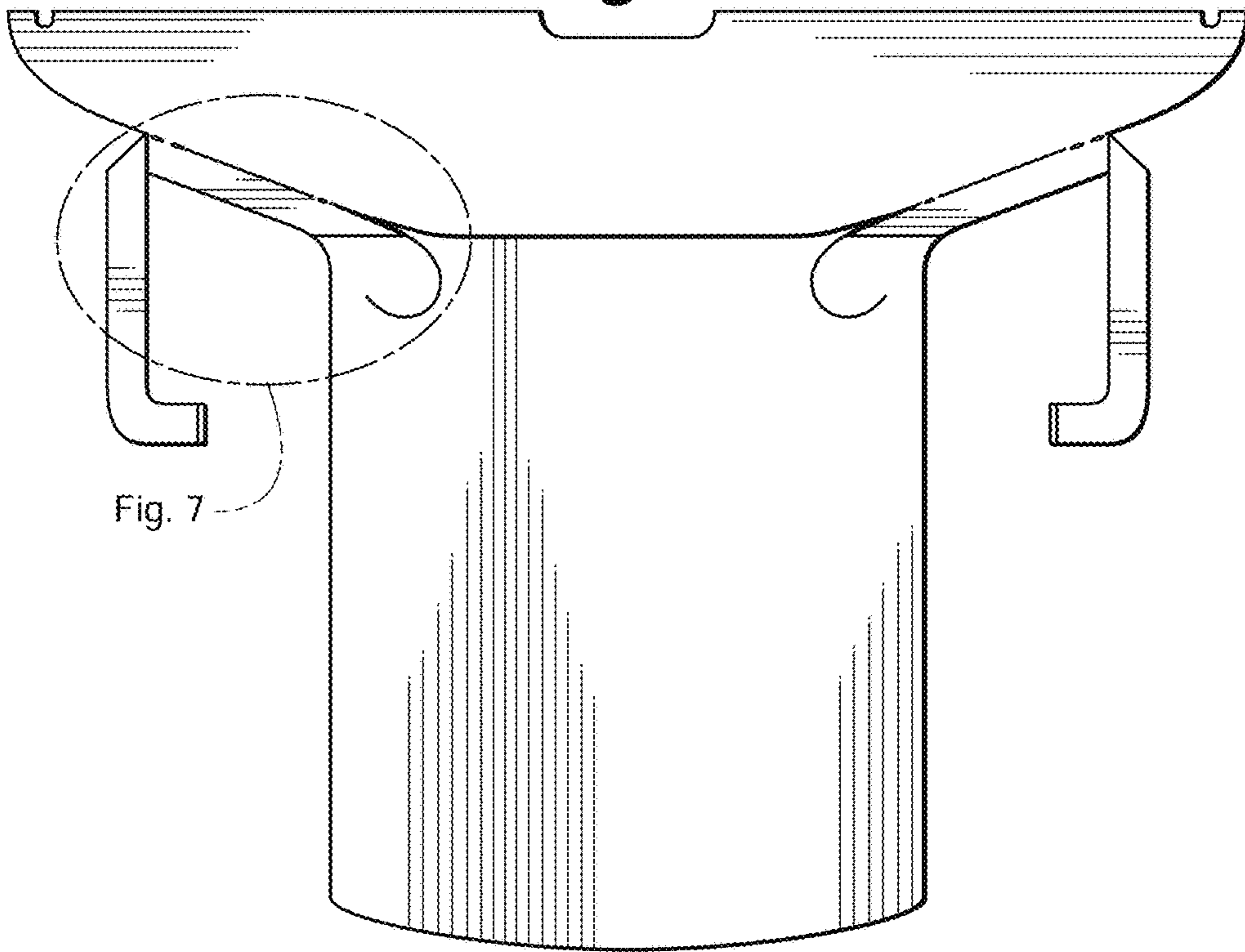
**References Cited**

U.S. PATENT DOCUMENTS

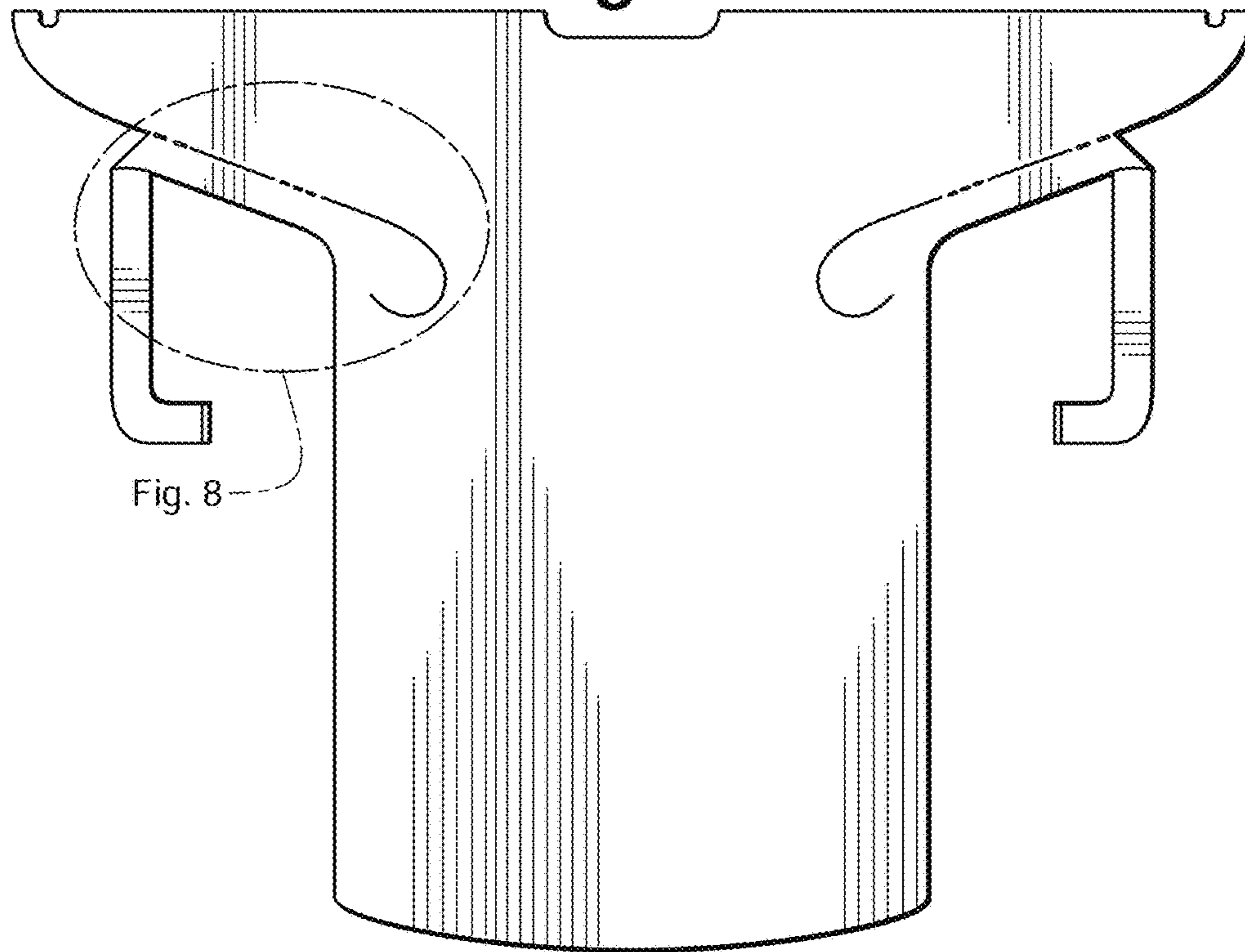
2007/0028343 A1 2/2007 Makowka  
2010/0299805 A1\* 12/2010 Graneto, III ..... A41D 13/1209  
2/114  
2013/0191960 A1\* 8/2013 Pasko ..... A41D 13/12  
2/114  
2013/0318682 A1 12/2013 Graneto, III  
2014/0007316 A1\* 1/2014 Tommarello ..... A41D 13/1236  
2/114  
2016/0345644 A1\* 12/2016 Reese ..... A41D 13/1209  
2016/0345645 A1\* 12/2016 Reese ..... A41D 13/1209

\* cited by examiner

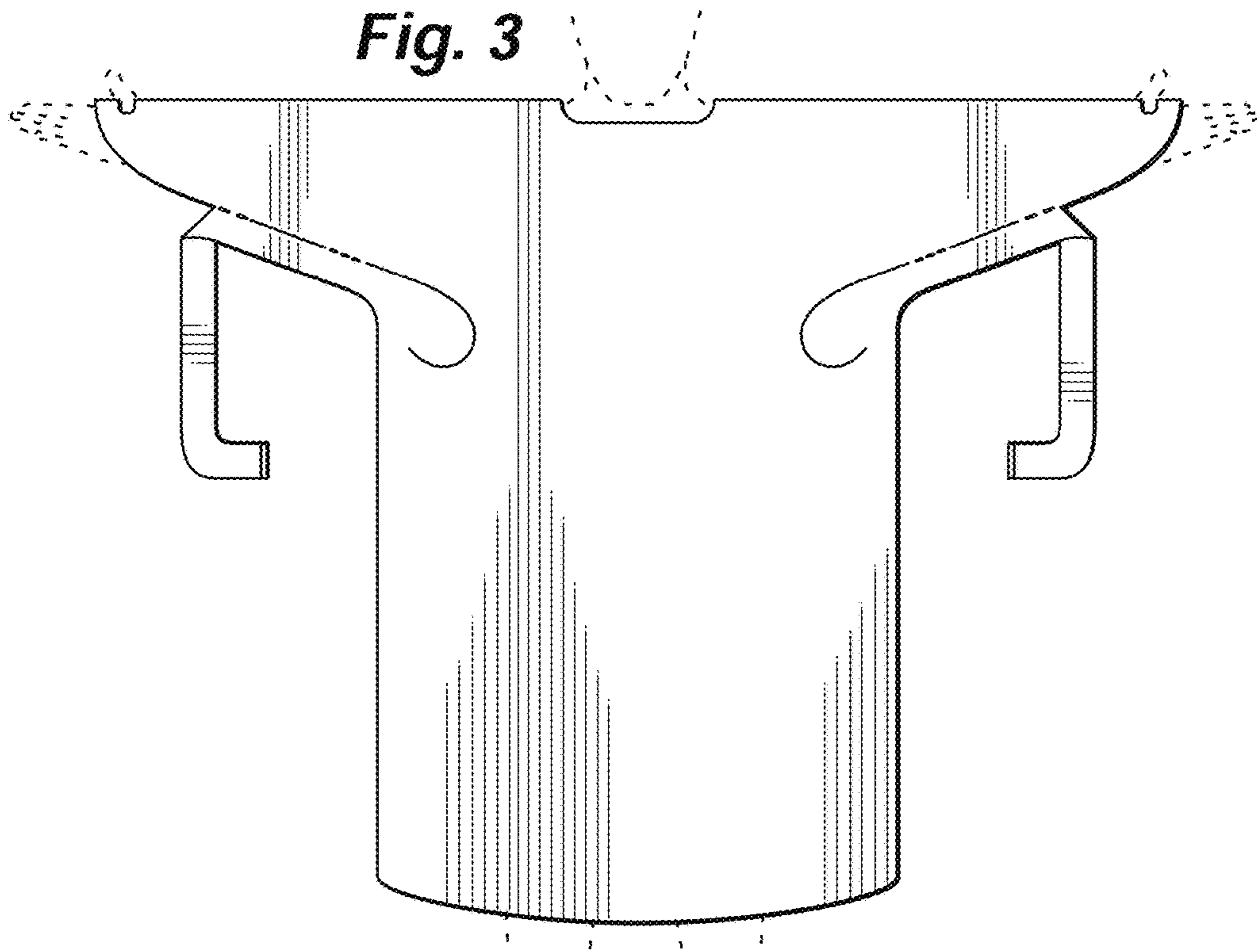
**Fig. 1**



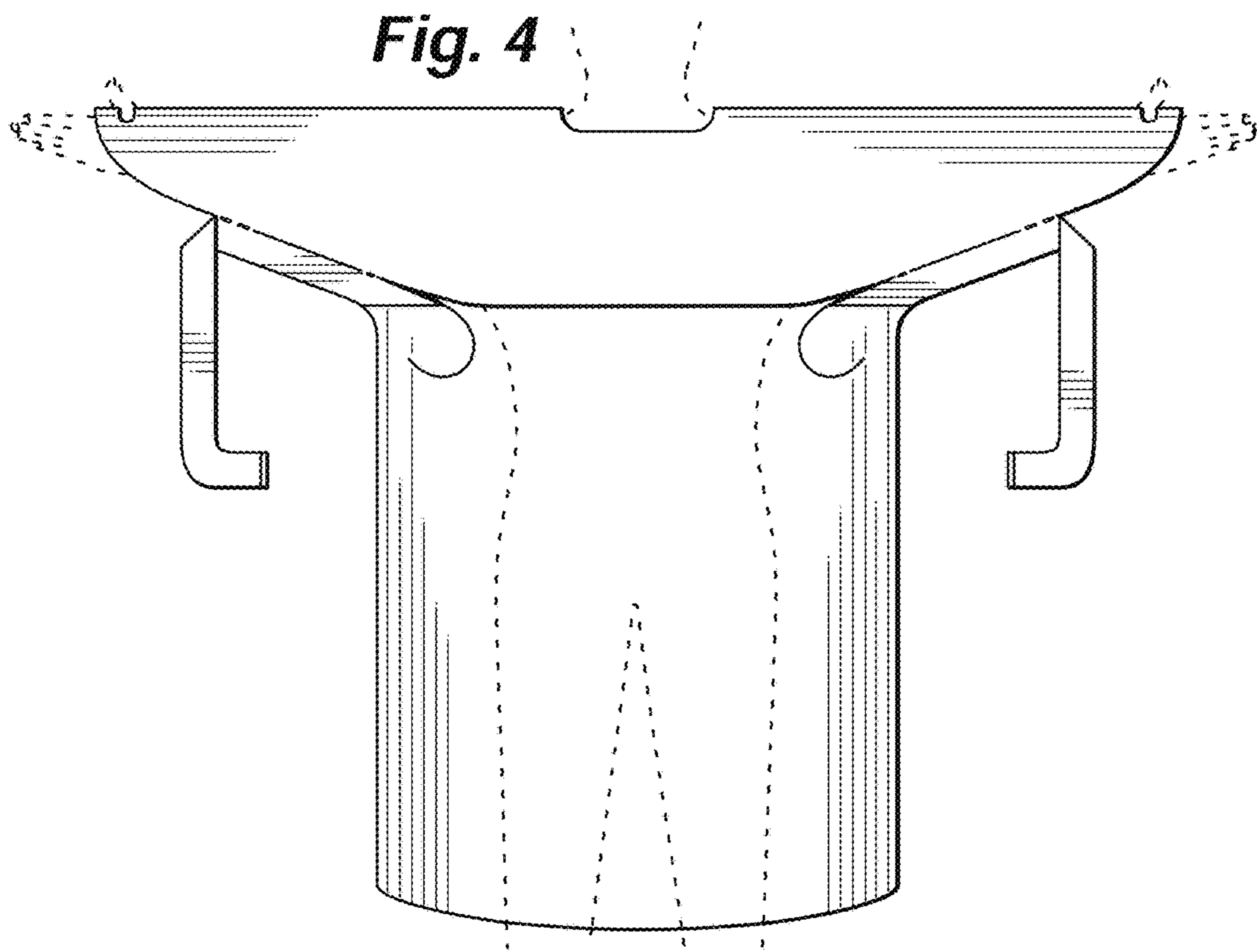
**Fig. 2**



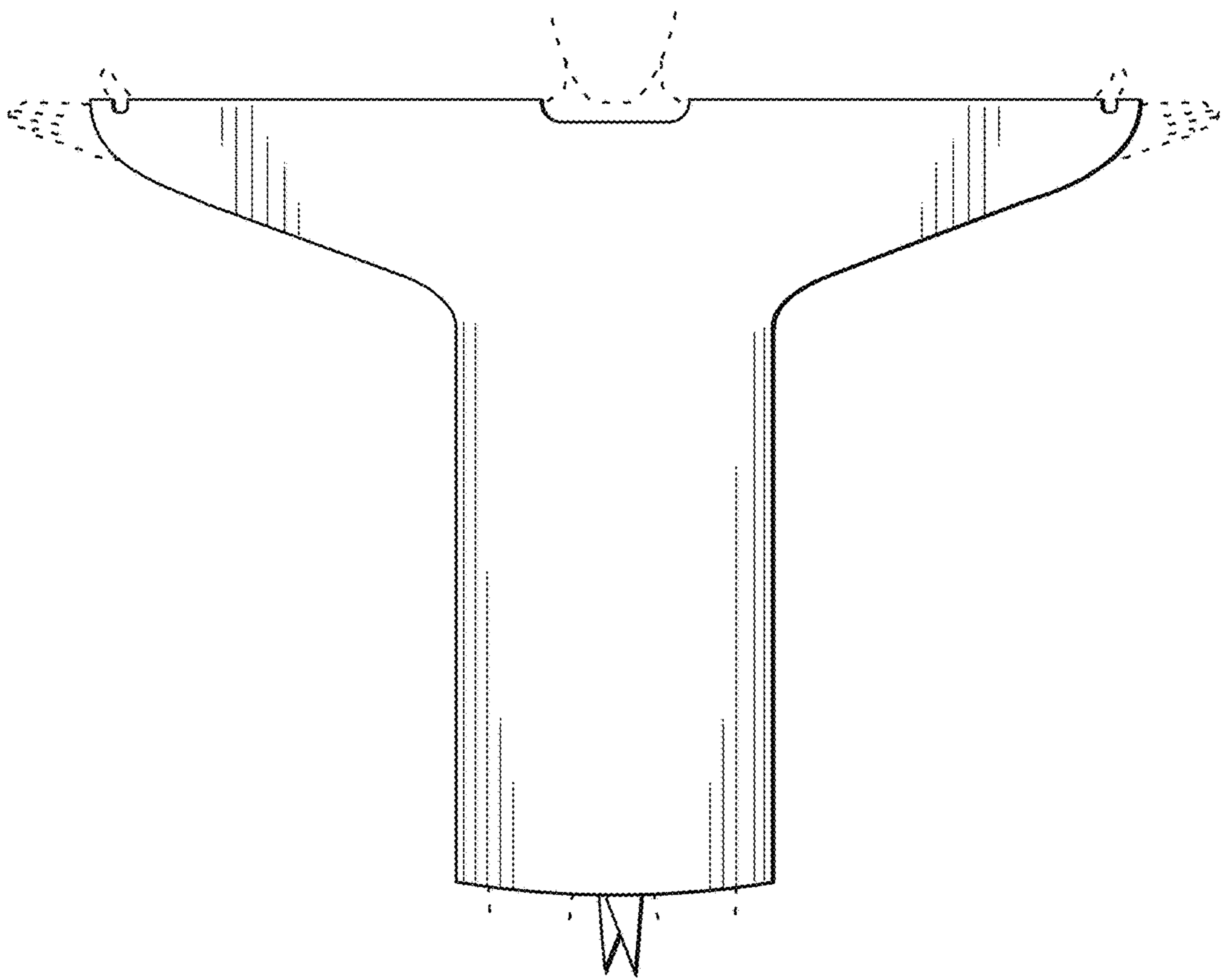
**Fig. 3**



**Fig. 4**

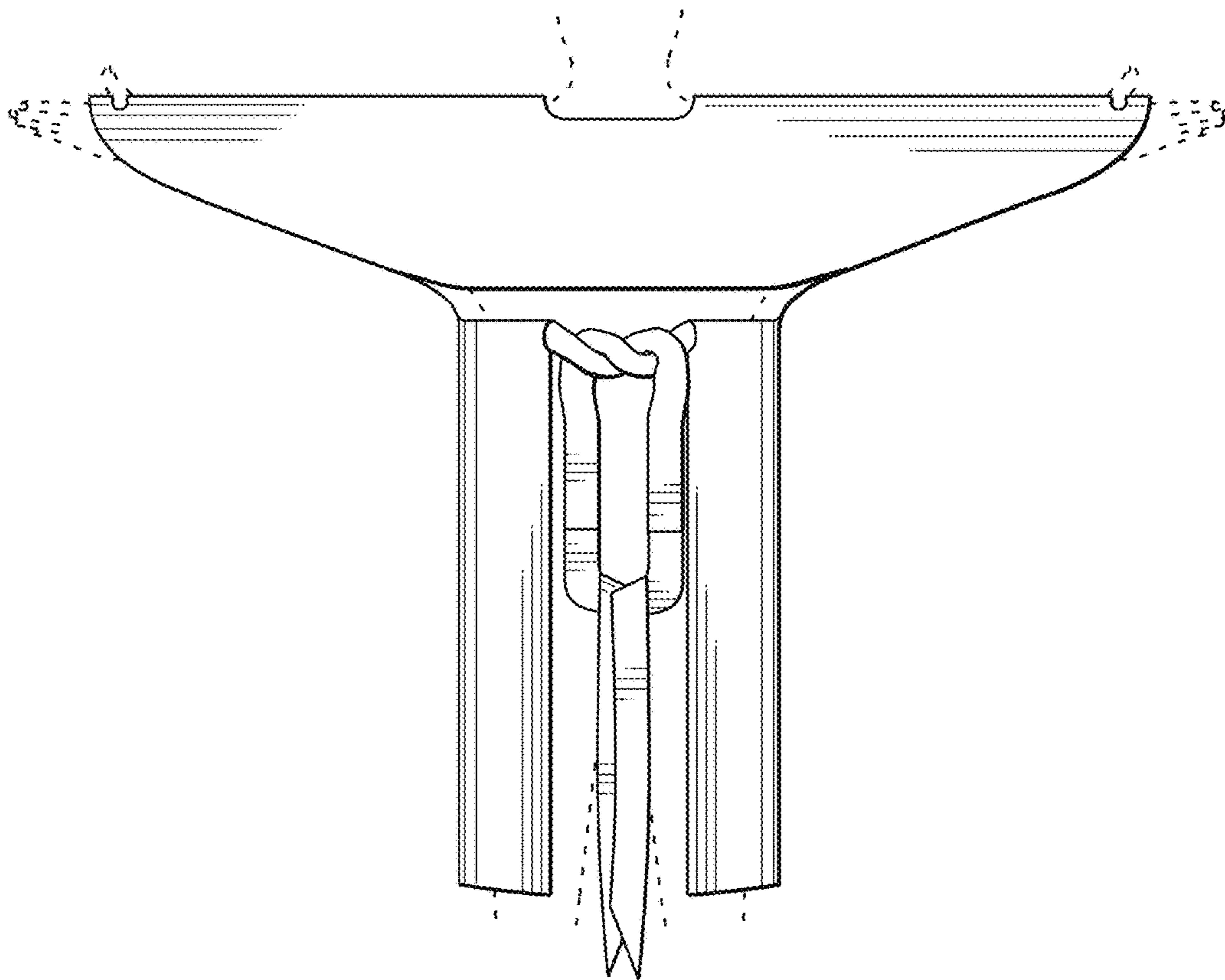


*Fig. 5*

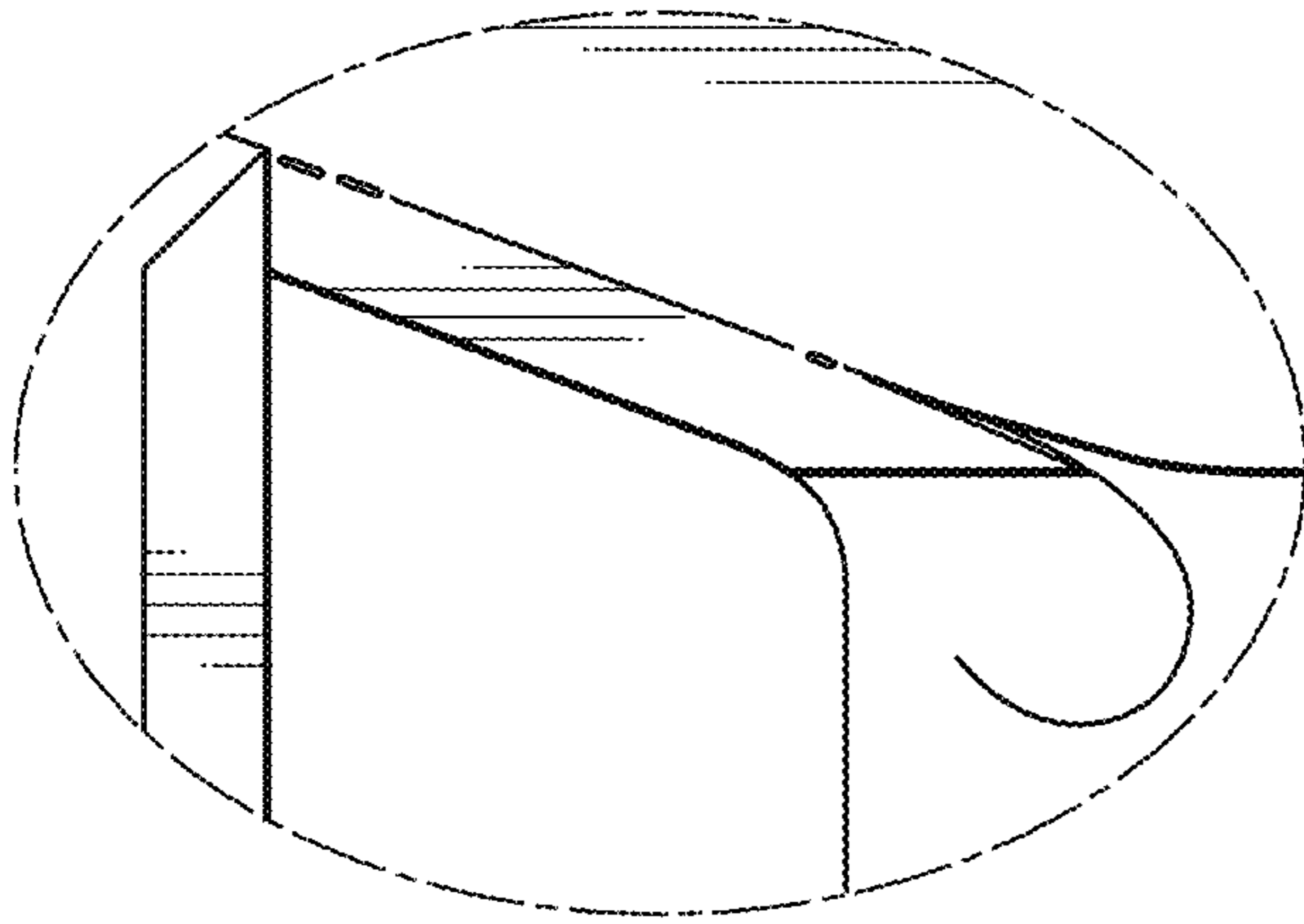




**Fig. 6**



**Fig. 7**



**Fig. 8**

