



US00D792050S

(12) **United States Design Patent**  
**Richhart**

(10) **Patent No.:** **US D792,050 S**  
(45) **Date of Patent:** **\*\* Jul. 18, 2017**

- (54) **WAFFLE SANDWICH**
- (71) Applicant: **Kellogg Company**, Battle Creek, MI (US)
- (72) Inventor: **Shea Richhart**, Richland, MI (US)
- (73) Assignee: **Kellogg Company**, Battle Creek, MI (US)
- (\*\*) Term: **14 Years**
- (21) Appl. No.: **29/509,213**
- (22) Filed: **Nov. 14, 2014**
- (51) **LOC (10) Cl.** ..... **01-01**
- (52) **U.S. Cl.**  
USPC ..... **D1/130; D1/129**
- (58) **Field of Classification Search**  
USPC ..... D1/100–130, 199; 426/104, 108, 138, 426/391, 549, 808, 94, 143, 559, 560; D11/12, 24, 40, 43, 79, 86, 95; D24/101–104; 446/118, 128; D21/484, D21/499, 503, 335; D9/707, 756  
CPC . A21D 13/0022; A23L 1/1641; A23L 1/0067; A47J 37/0611; A21B 5/00; A21B 5/02; A23G 9/48  
See application file for complete search history.

- D371,144 S \* 6/1996 Dunn ..... D1/128
- D374,755 S \* 10/1996 Gobble ..... D1/125
- 5,789,008 A \* 8/1998 Monte ..... A21D 13/0009  
426/101
- D402,436 S \* 12/1998 Cawley ..... D1/129
- 6,027,753 A \* 2/2000 Reeves ..... A21D 8/06  
426/144
- D423,186 S \* 4/2000 Stalder ..... D1/130  
(Continued)

**OTHER PUBLICATIONS**

Tiffany. "The Evolution of the Waffle." Raising Lemons. Mar. 7, 2013. Web. Aug. 18, 2015. <<http://www.raisinglemons.com/parenting/the-evolution-of-the-waffle/>>.\*

(Continued)

*Primary Examiner* — Garth Rademaker  
*Assistant Examiner* — Katie Stofko Mroczka  
(74) *Attorney, Agent, or Firm* — Honigman Miller Schwartz and Cohn LLP; Kathryn D. Doyle, Esq.; Jonathan P. O'Brien

(57) **CLAIM**

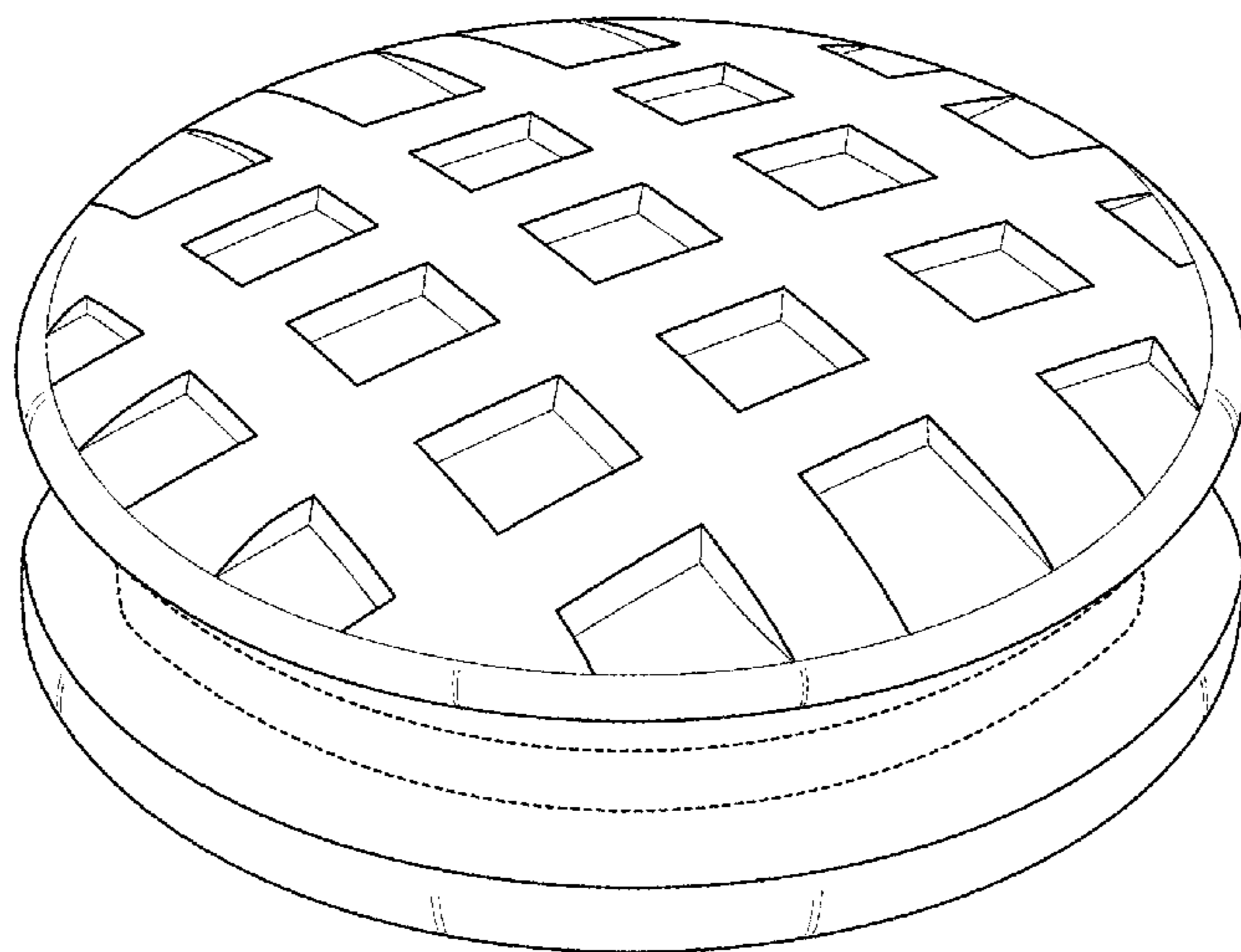
The ornamental design for a waffle sandwich, as shown and described.

**DESCRIPTION**

FIG. 1 is a top-perspective view of a waffle sandwich, showing my new design;  
FIG. 2 is a bottom-perspective view thereof;  
FIG. 3 is a top plan view thereof;  
FIG. 4 is a bottom plan view thereof;  
FIG. 5 is a front view thereof;  
FIG. 6 is a rear view thereof;  
FIG. 7 is a left side view thereof; and,  
FIG. 8 is a right side view thereof.  
The broken lines in FIGS. 1, 2, and 5-8 illustrate portions of the waffle sandwich that form no part of the claimed design.

**1 Claim, 8 Drawing Sheets**

- (56) **References Cited**  
U.S. PATENT DOCUMENTS  
D88,675 S \* 12/1932 Schoenleber ..... D1/127  
1,899,511 A \* 2/1933 Leaf ..... A23G 9/286  
426/95  
1,950,734 A \* 3/1934 Leaf ..... A47J 43/282  
426/95  
D229,642 S \* 12/1973 Dorsa ..... D1/109  
3,879,564 A \* 4/1975 Cocozzella ..... A21D 13/007  
426/138  
D277,044 S \* 1/1985 Kuhlman ..... D1/128  
D301,795 S \* 6/1989 Vitacco ..... D1/108  
D328,664 S \* 8/1992 Leahy ..... D1/106



(56)

**References Cited**

U.S. PATENT DOCUMENTS

6,412,400 B1 \* 7/2002 Gambino ..... A47J 37/0611  
99/372  
D493,603 S \* 8/2004 Steele ..... D1/125  
6,824,799 B1 \* 11/2004 Huang ..... A21D 2/181  
426/100  
D539,469 S \* 3/2007 Chen ..... D1/128  
D549,427 S \* 8/2007 Gambino ..... D1/125  
D581,626 S \* 12/2008 Chatel ..... D1/120  
D593,727 S \* 6/2009 Willoughby ..... D1/120  
D658,346 S 5/2012 Proudhon  
D710,566 S \* 8/2014 Tebow ..... D1/121

OTHER PUBLICATIONS

Olddoobybrain. "Waffle, Egg, Bacon and Cheese Sandwich from Dunkin Donuts." Doobybrain.com. Feb. 24, 2009. Web. Sep. 1, 2015. <<http://www.doobybrain.com/2009/02/24/waffle-egg-bacon-and-cheese-sandwich-from-dunkin-donuts/>>.\*

"Grilled Ham and Cheese Waffle Sandwiches." My Recipes. Dec. 2005. Web. Jan. 5, 2017. <<http://www.myrecipes.com/recipe/grilled-ham-cheese-waffle-sandwiches#mr-livefyre-ratings>>.\*

\* cited by examiner

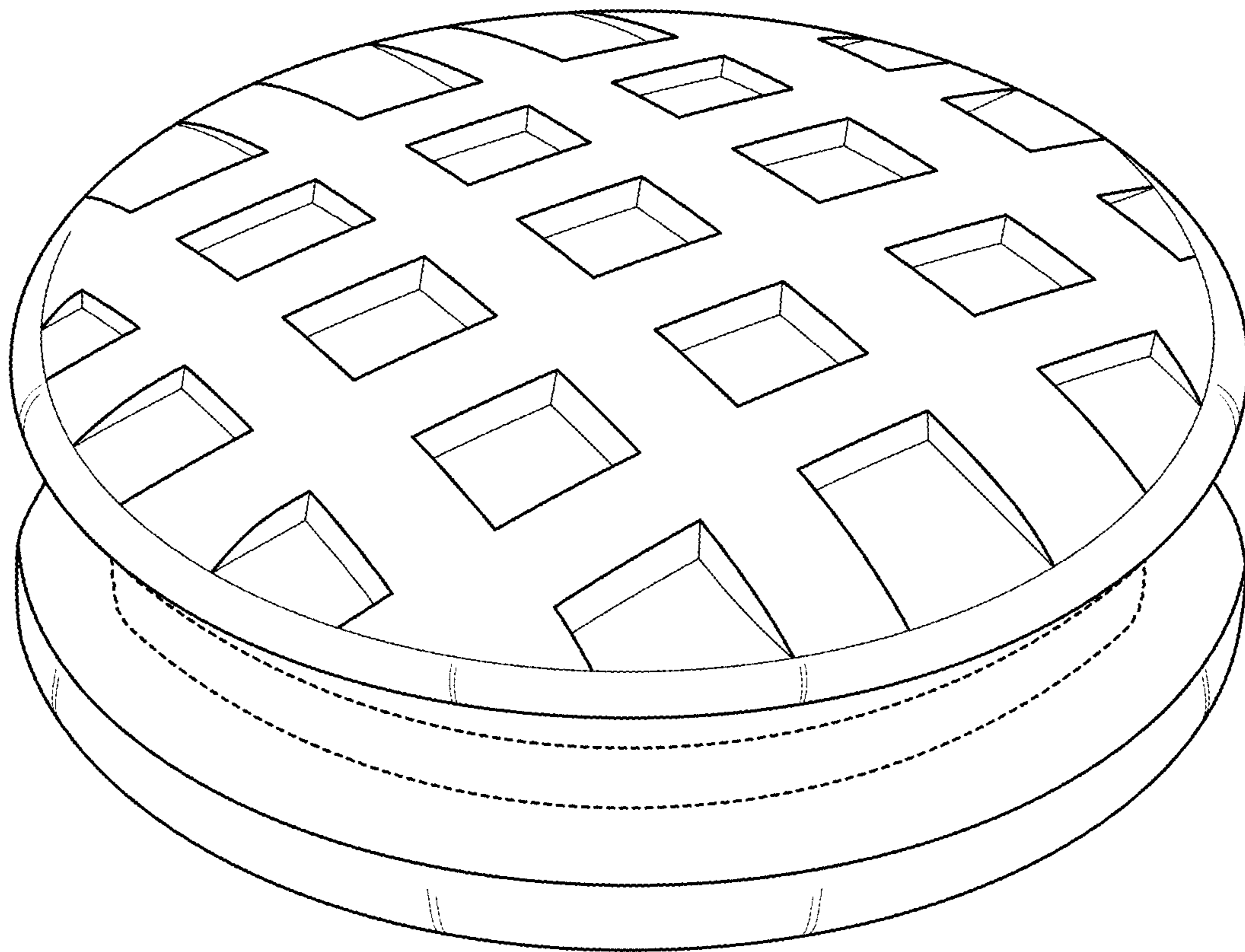


FIG. 1

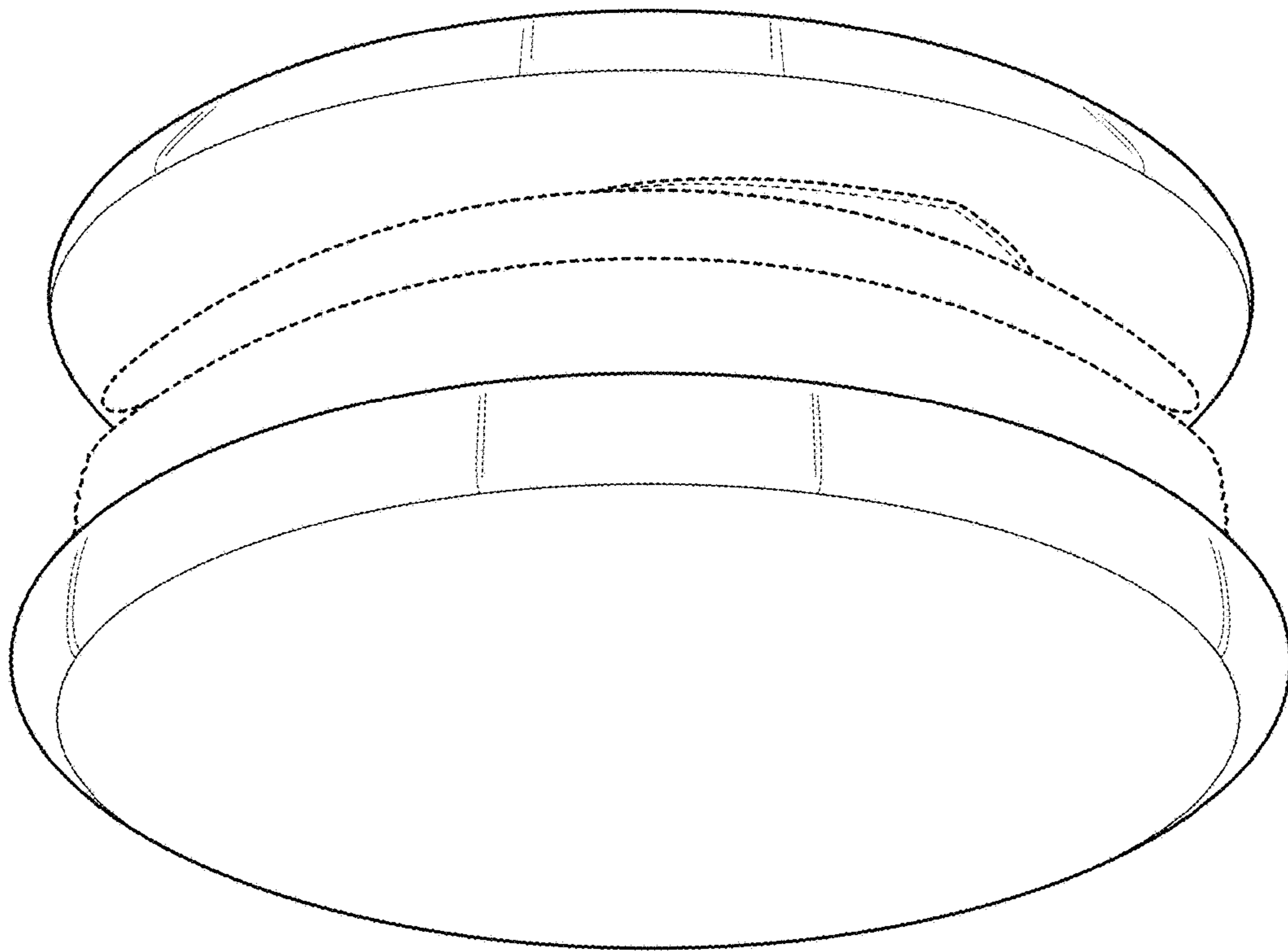


FIG. 2

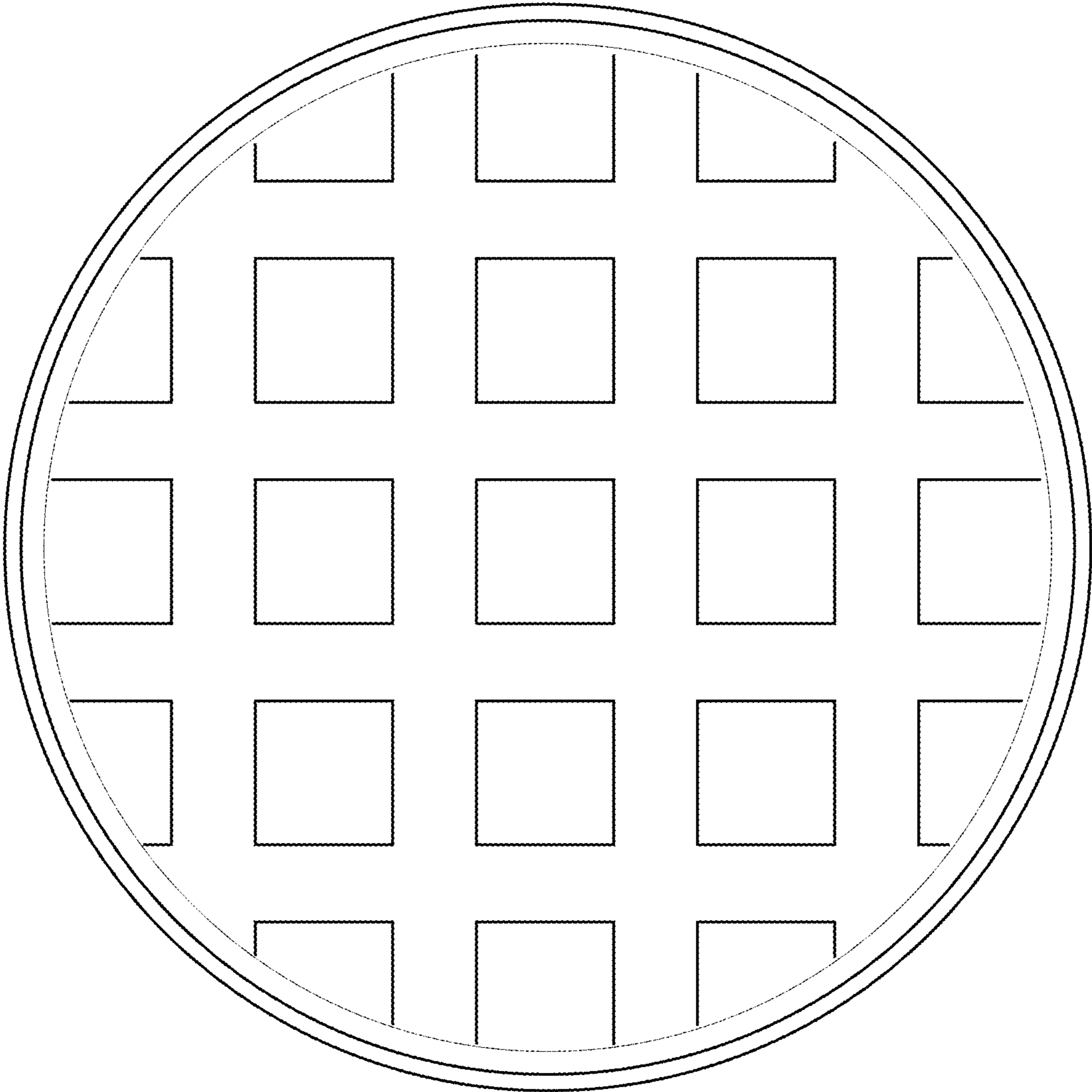


FIG. 3

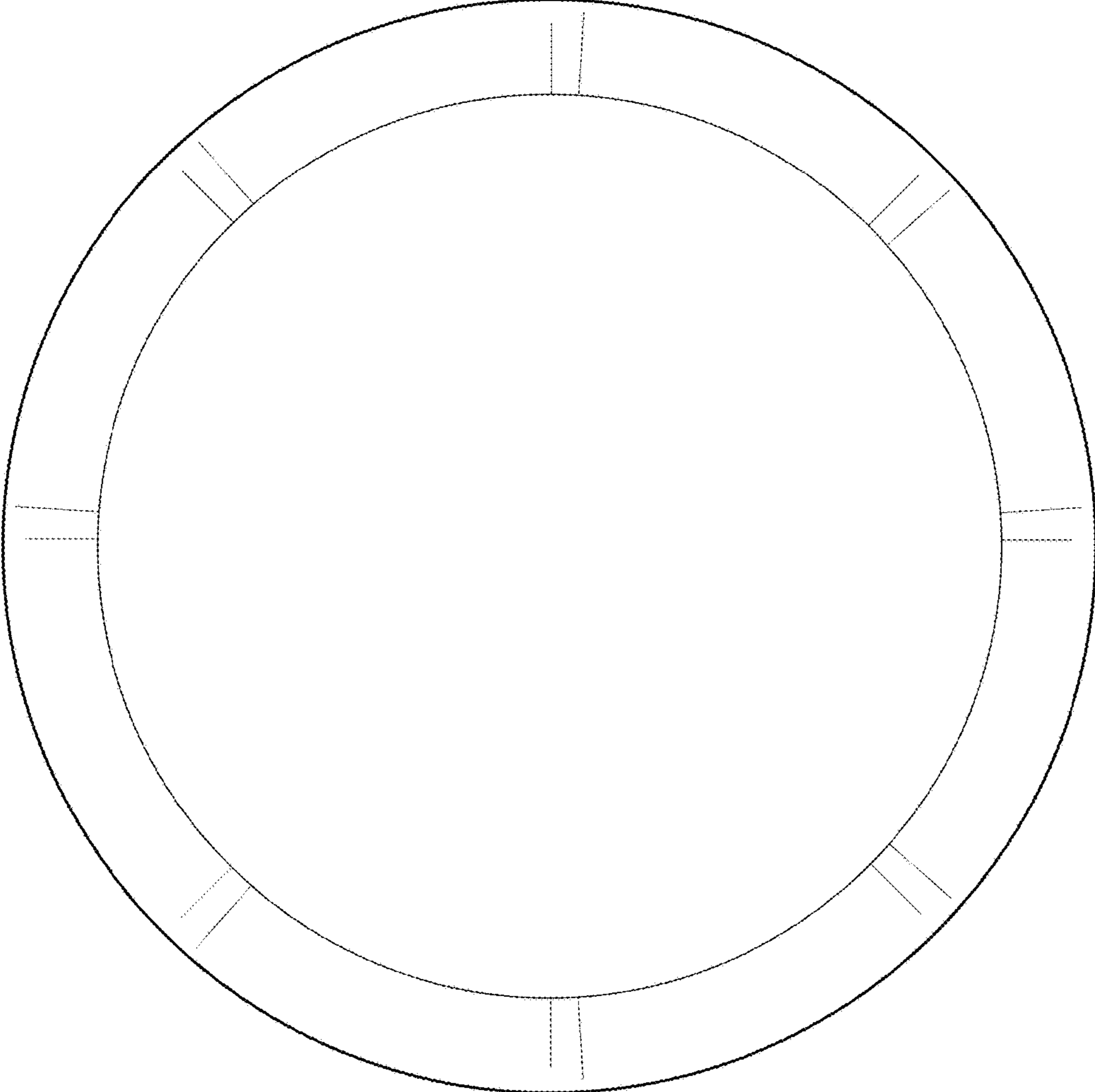


FIG. 4

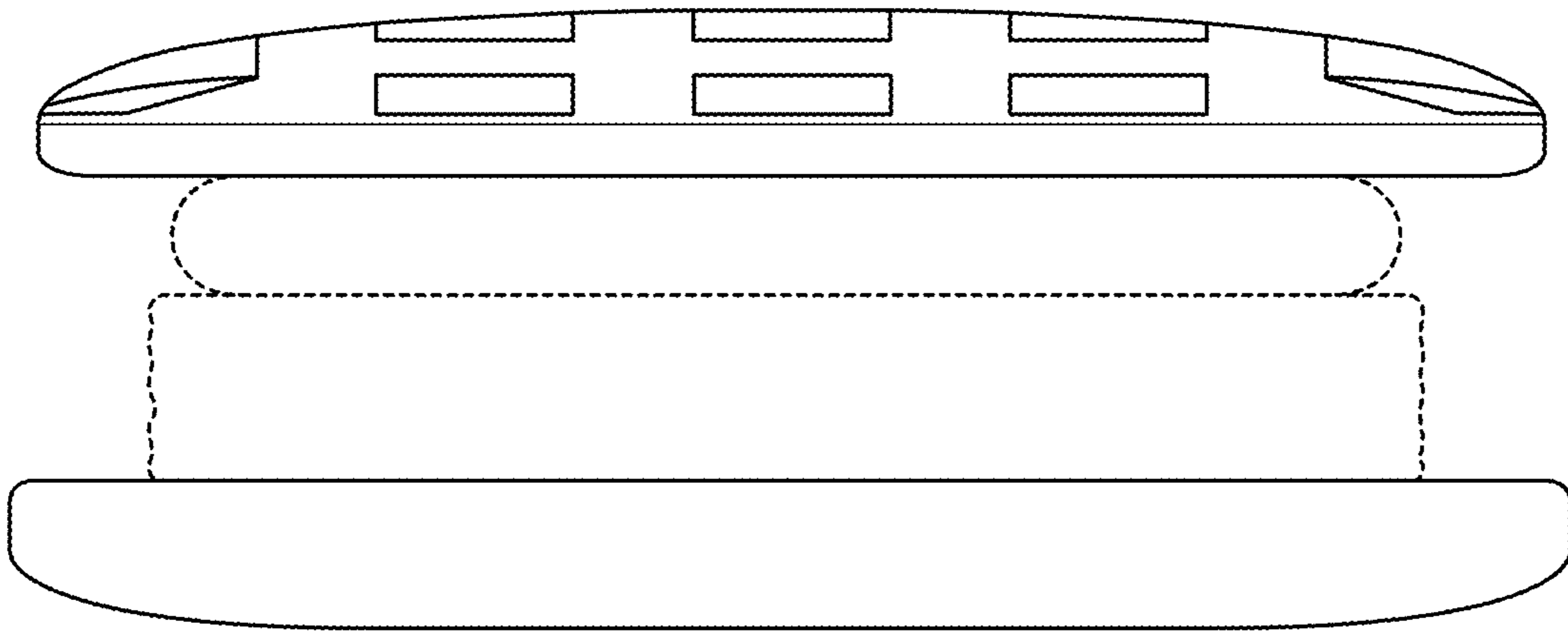


FIG. 5

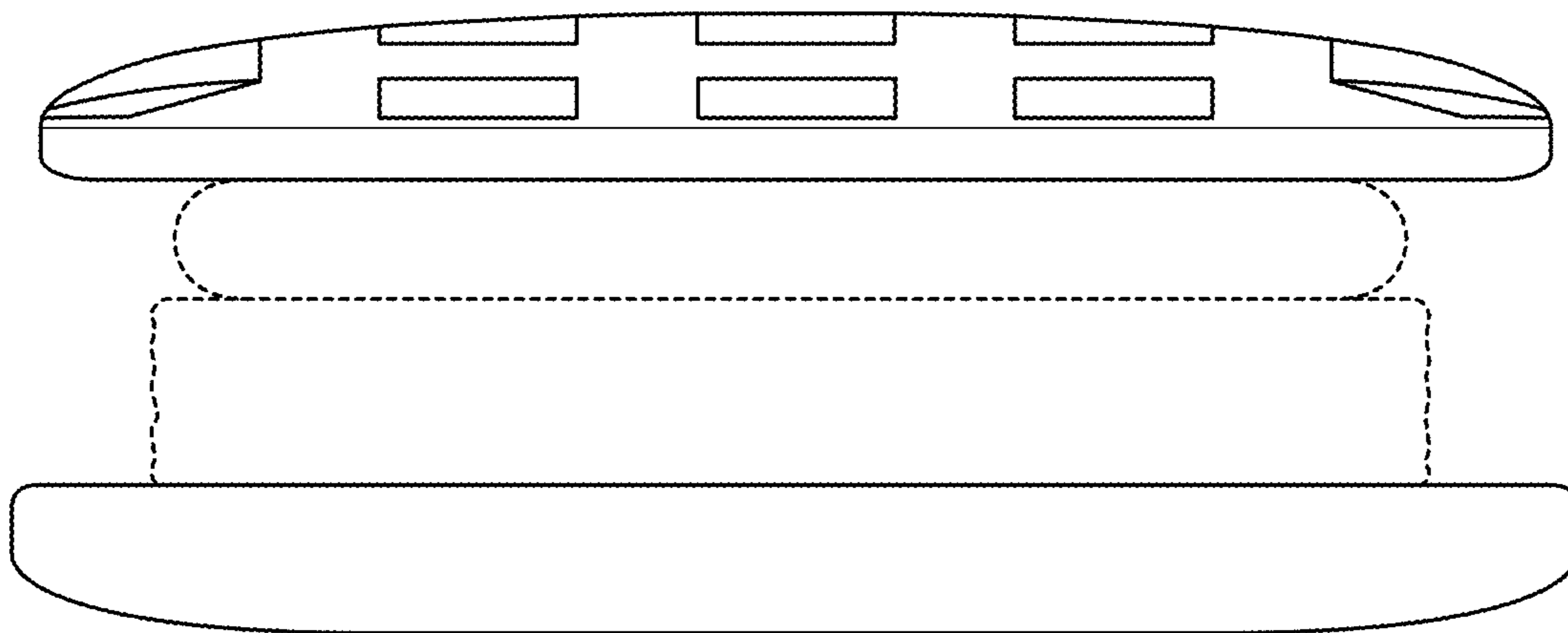


FIG. 6



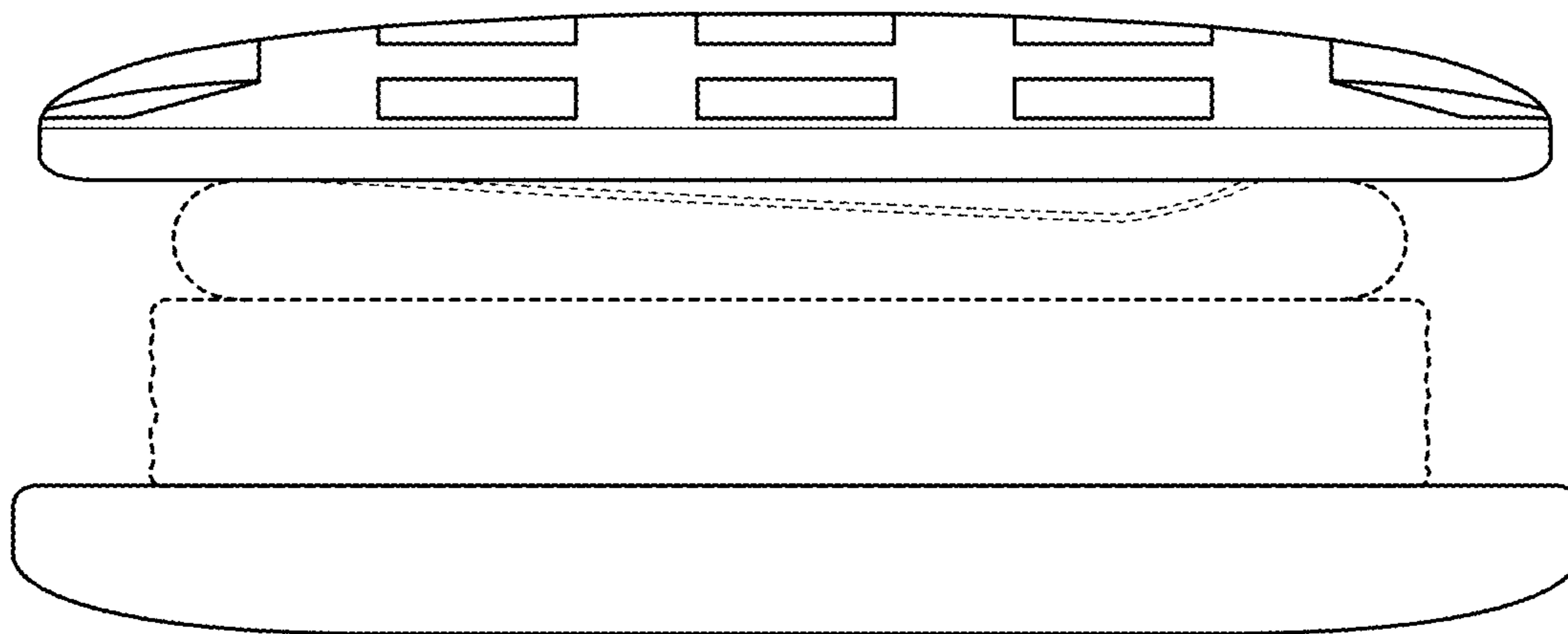


FIG. 7

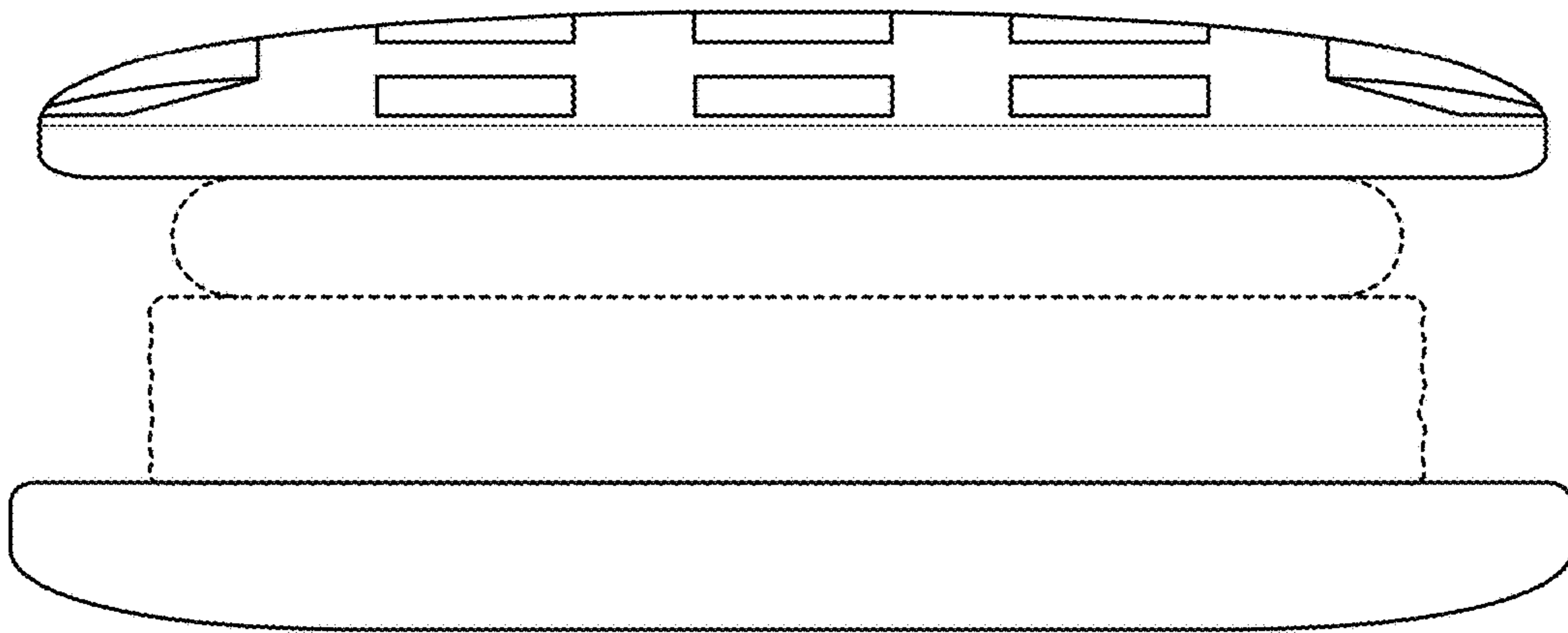


FIG. 8