



US00D792048S

(12) **United States Design Patent**
Kitajima

(10) **Patent No.:** **US D792,048 S**

(45) **Date of Patent:** **** Jul. 11, 2017**

(54) **WAGON**

(71) Applicant: **OKAMURA CORPORATION**,
Yokohama-shi, Kanagawa (JP)

(72) Inventor: **Haruhiko Kitajima**, Yokohama (JP)

(73) Assignee: **Okamura Corporation**, Kanagawa (JP)

(**) Term: **15 Years**

(21) Appl. No.: **29/555,402**

(22) Filed: **Feb. 22, 2016**

(30) **Foreign Application Priority Data**

Aug. 25, 2015 (JP) 2015-018598

(51) **LOC (10) Cl.** **12-02**

(52) **U.S. Cl.**
USPC **D34/19**

(58) **Field of Classification Search**
USPC D34/12-27; 280/47.35
CPC B62B 3/02; B62B 3/002; B62B 3/006;
B62B 3/10
See application file for complete search history.

(56) **References Cited**

U.S. PATENT DOCUMENTS

D89,005 S * 1/1933 Bales D34/21
D181,281 S * 10/1957 Frick D34/19

D378,454 S * 3/1997 Miller D34/21
D408,954 S * 4/1999 Geier D34/19
D423,817 S * 5/2000 Holcomb D34/21
D444,930 S * 7/2001 Brown D34/12
2009/0166992 A1 * 7/2009 Abel G07C 13/00
280/47.35

* cited by examiner

Primary Examiner — Cynthia Ramirez

(74) *Attorney, Agent, or Firm* — Sughrue Mion, PLLC

(57) **CLAIM**

The ornamental design for a wagon, as shown and described.

DESCRIPTION

FIG. 1 is a perspective view of a wagon.
FIG. 2 is a front elevation view thereof. A rear elevation view is a mirror image of the front elevation view.
FIG. 3 is a right side elevation view thereof.
FIG. 4 is a left side elevation view thereof.
FIG. 5 is a top plan view thereof.
FIG. 6 is a bottom plan view thereof.
FIG. 7 is a cross-sectional view taken along the line 7-7 in FIG. 5, which omits the internal structure.
FIG. 8 is a cross-sectional view taken along the line 8-8 in FIG. 5, which omits the internal structure.
FIG. 9 is an enlarged cross-sectional view of the portion 9-9' in FIG. 8, which omits the internal structure; and
FIG. 10 is a referential view with the cover opened.

1 Claim, 10 Drawing Sheets

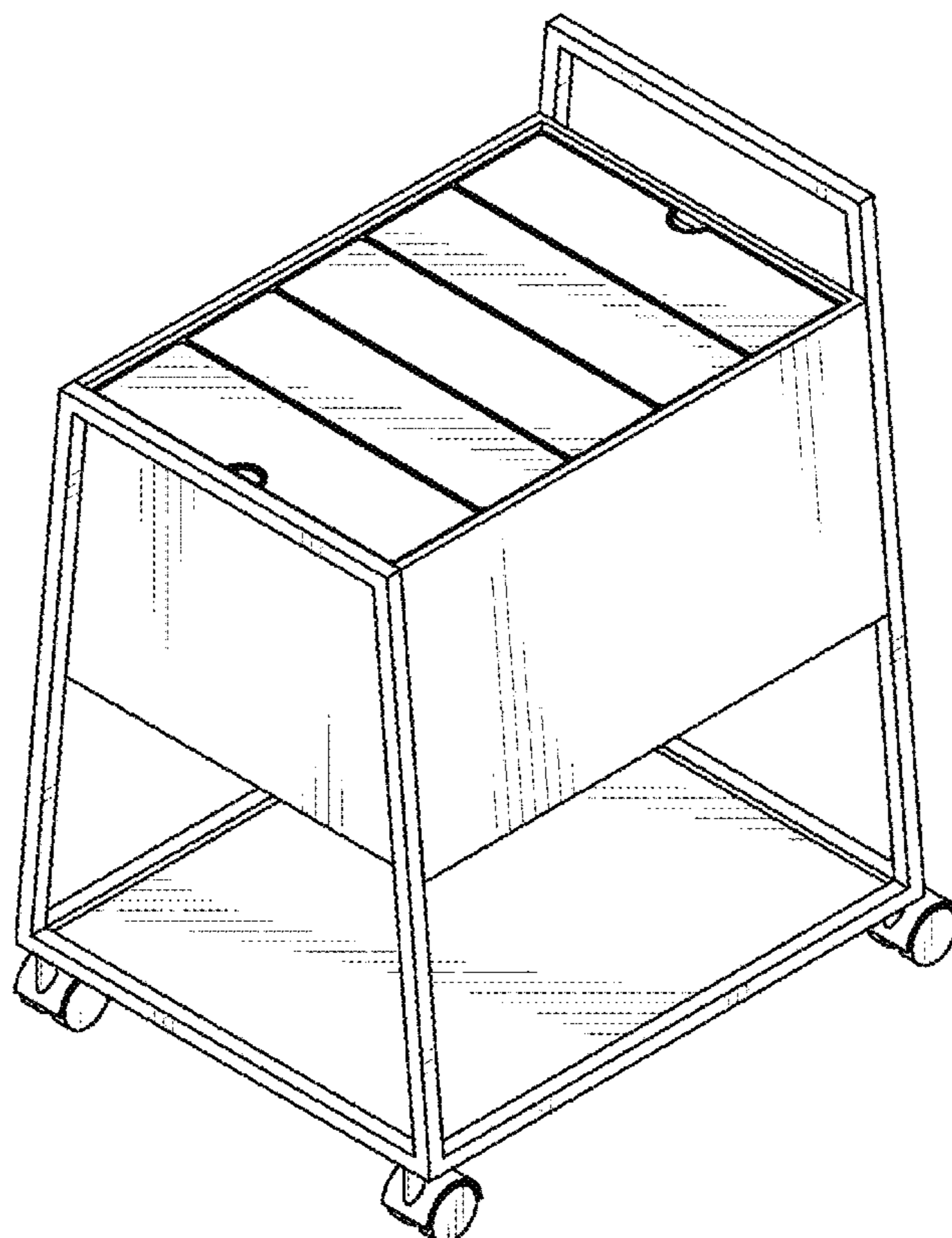


FIG. 1

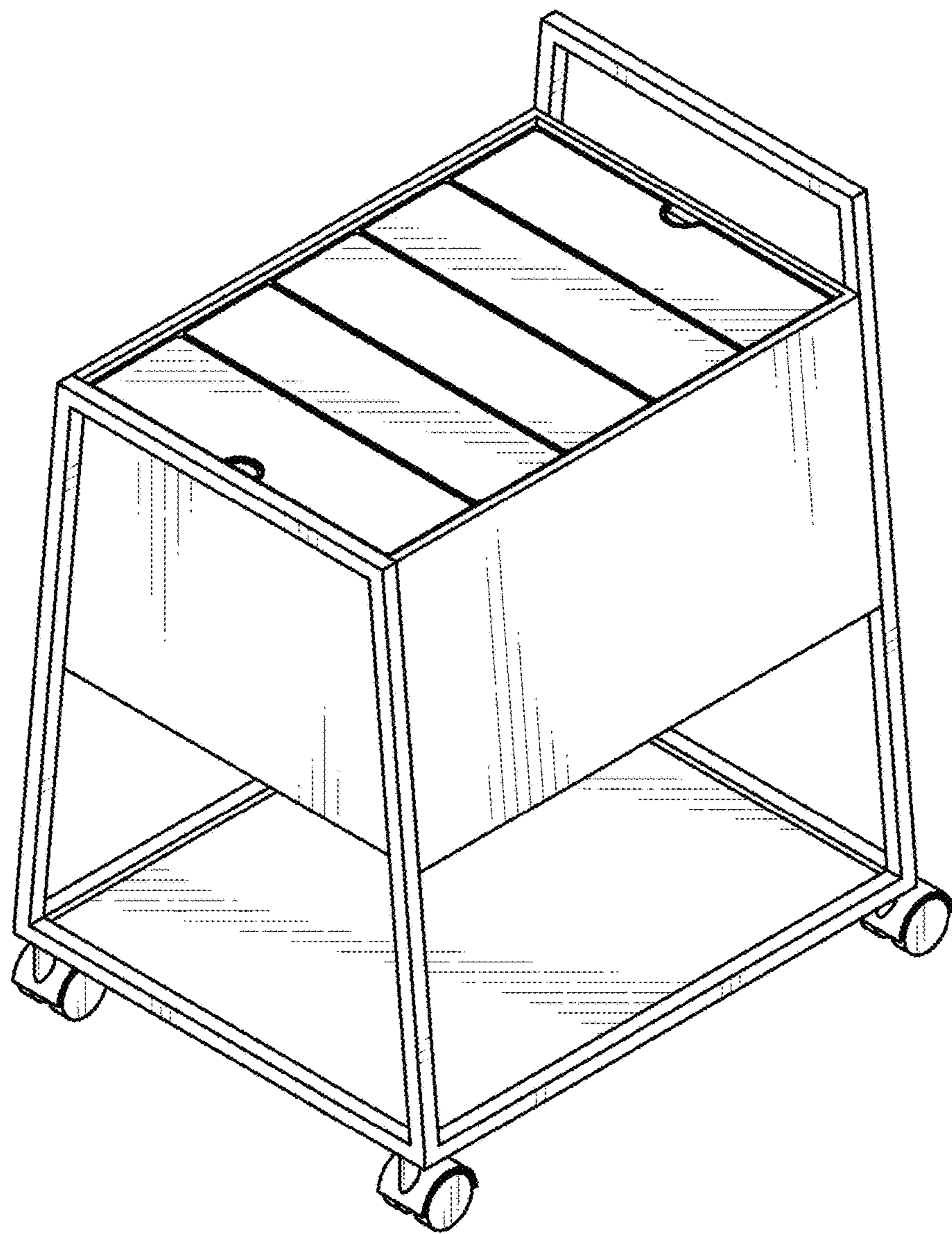


FIG. 2

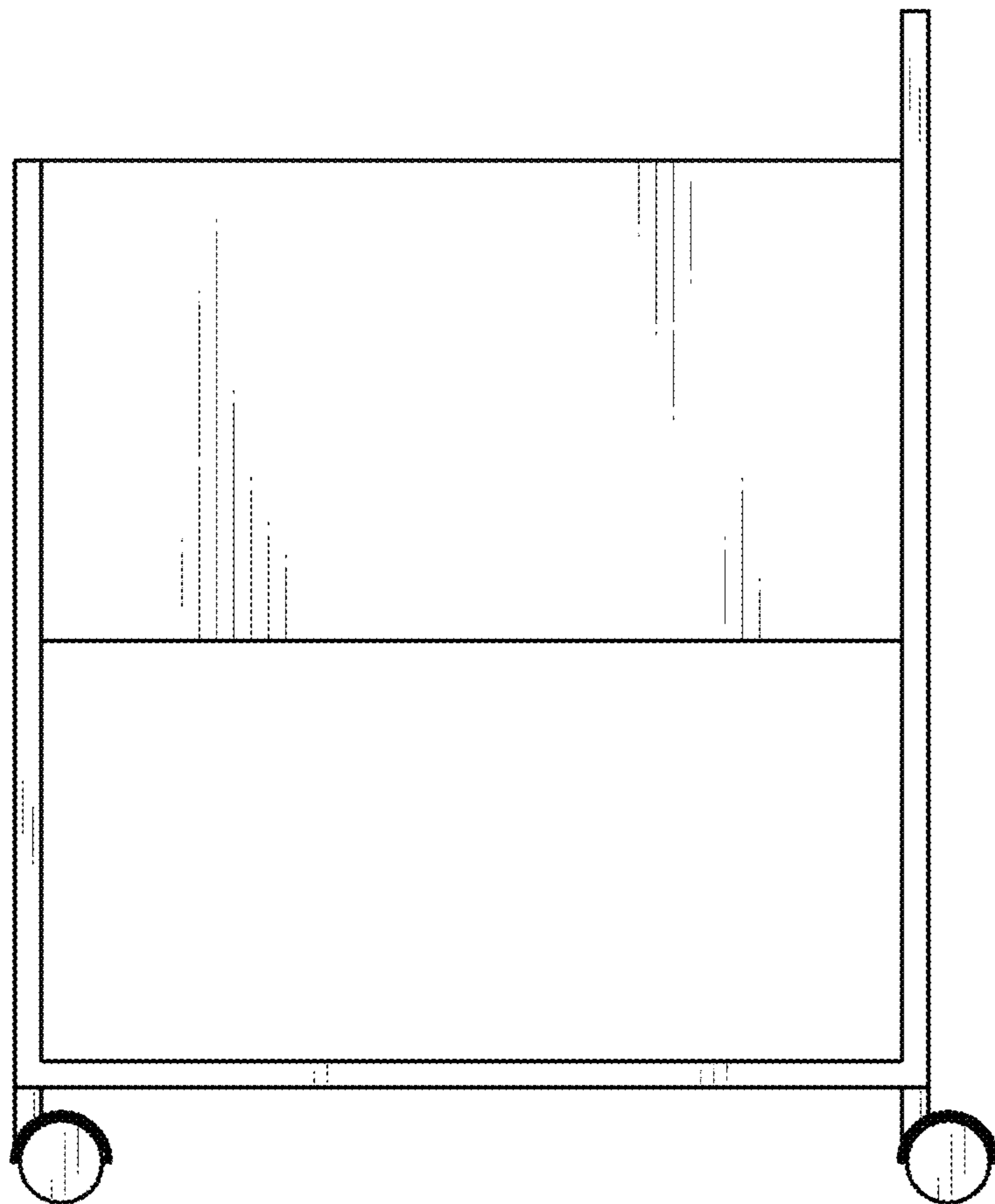


FIG. 3

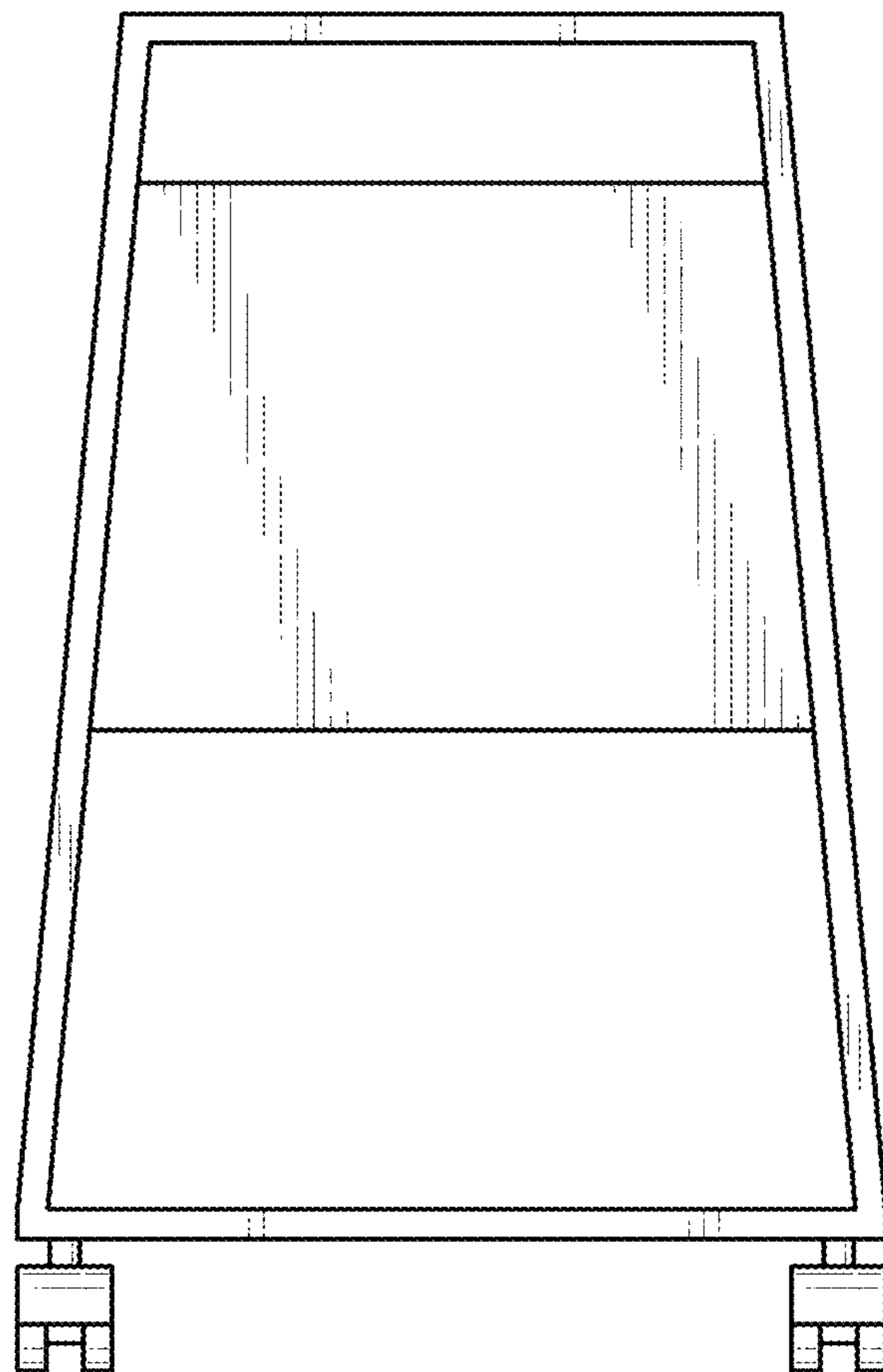


FIG. 4

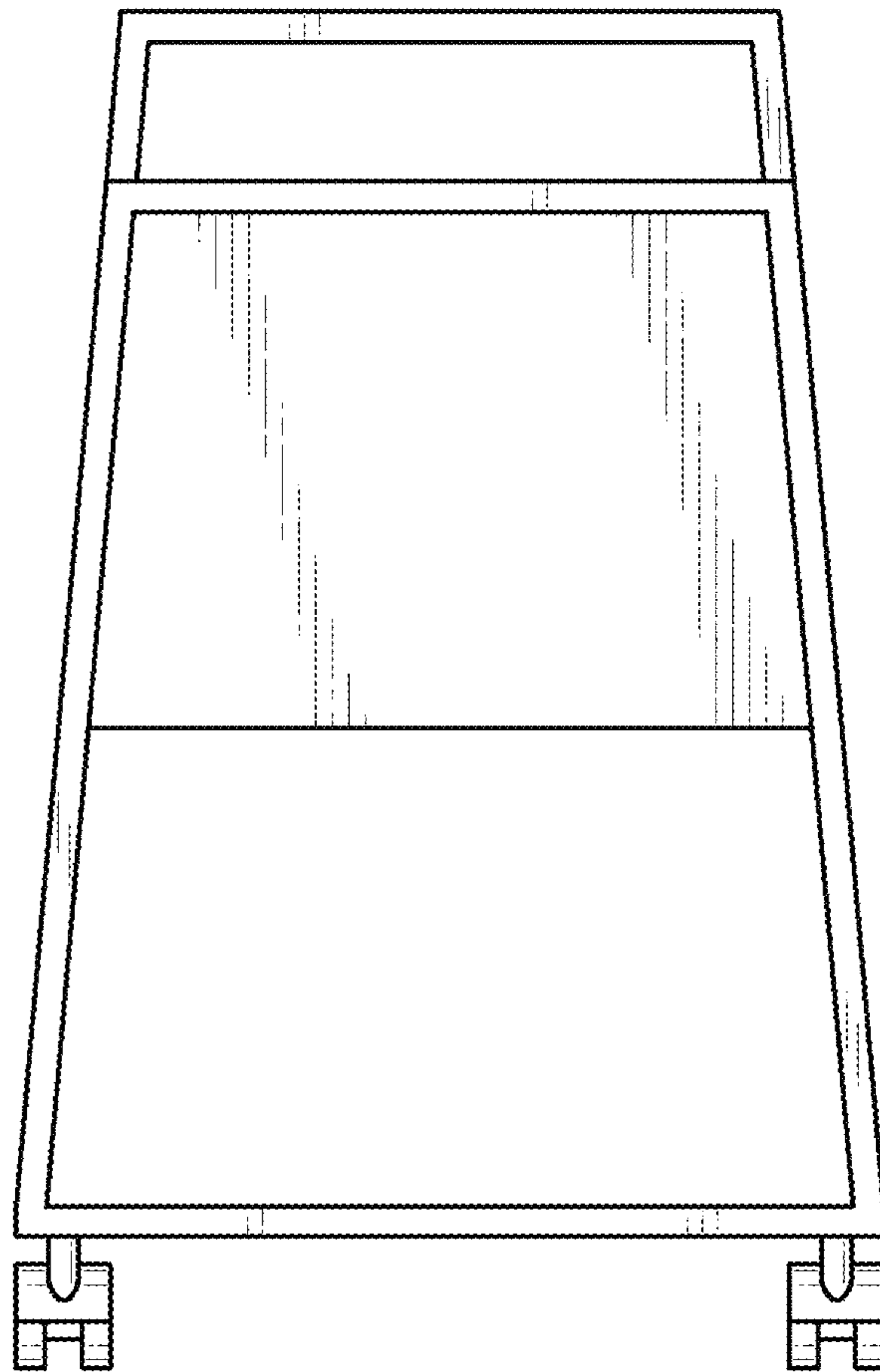


FIG. 5

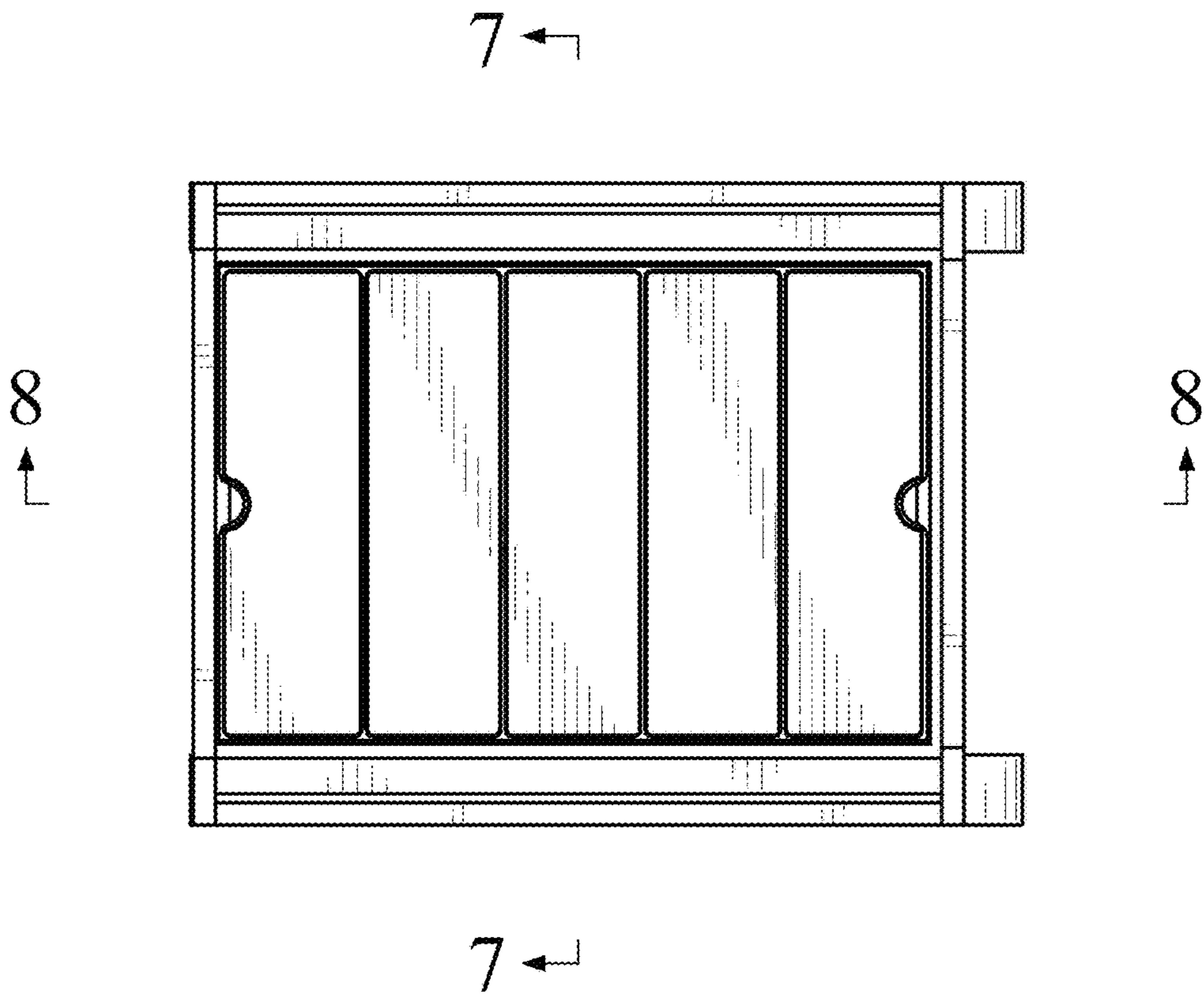


FIG. 6

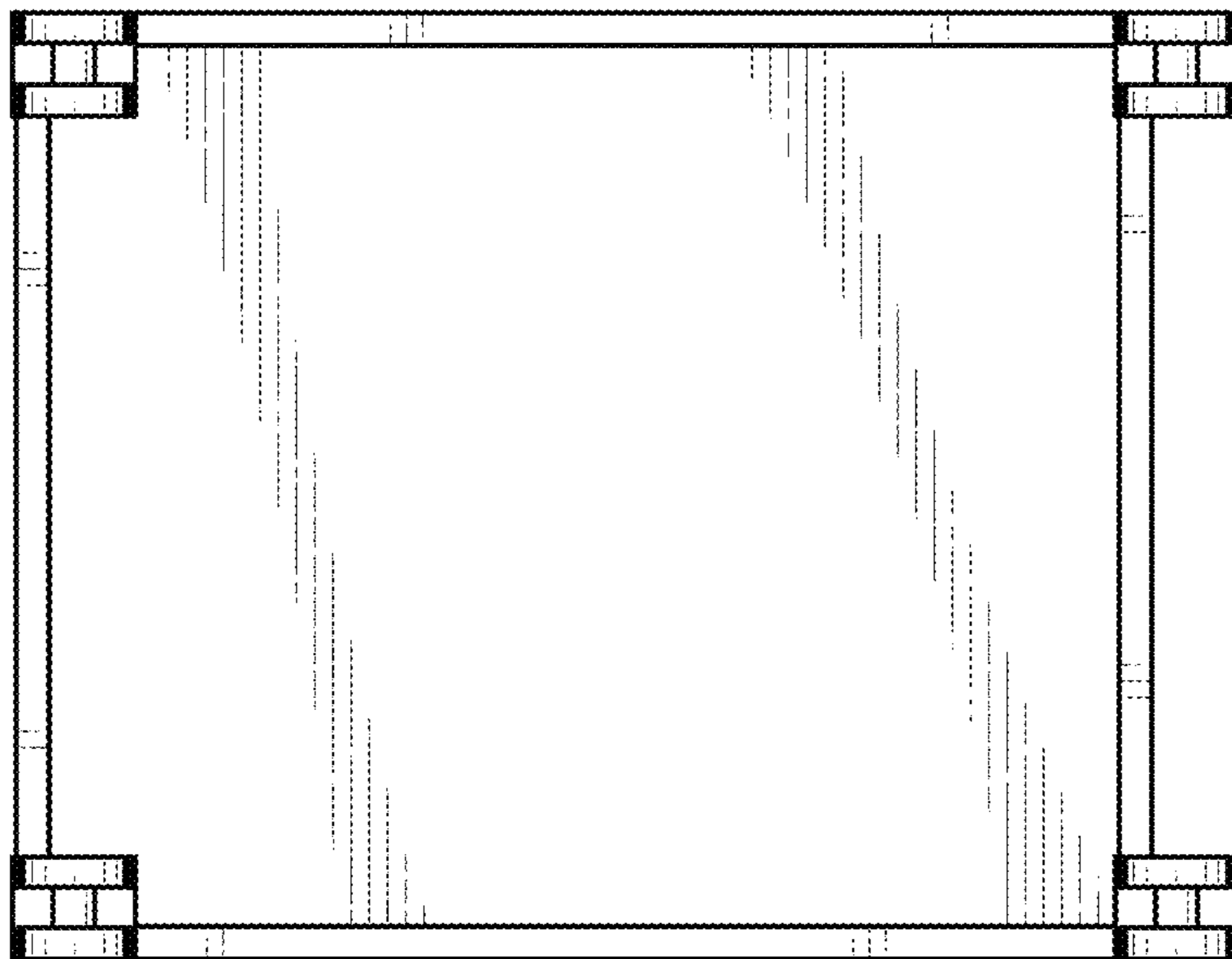


FIG. 7

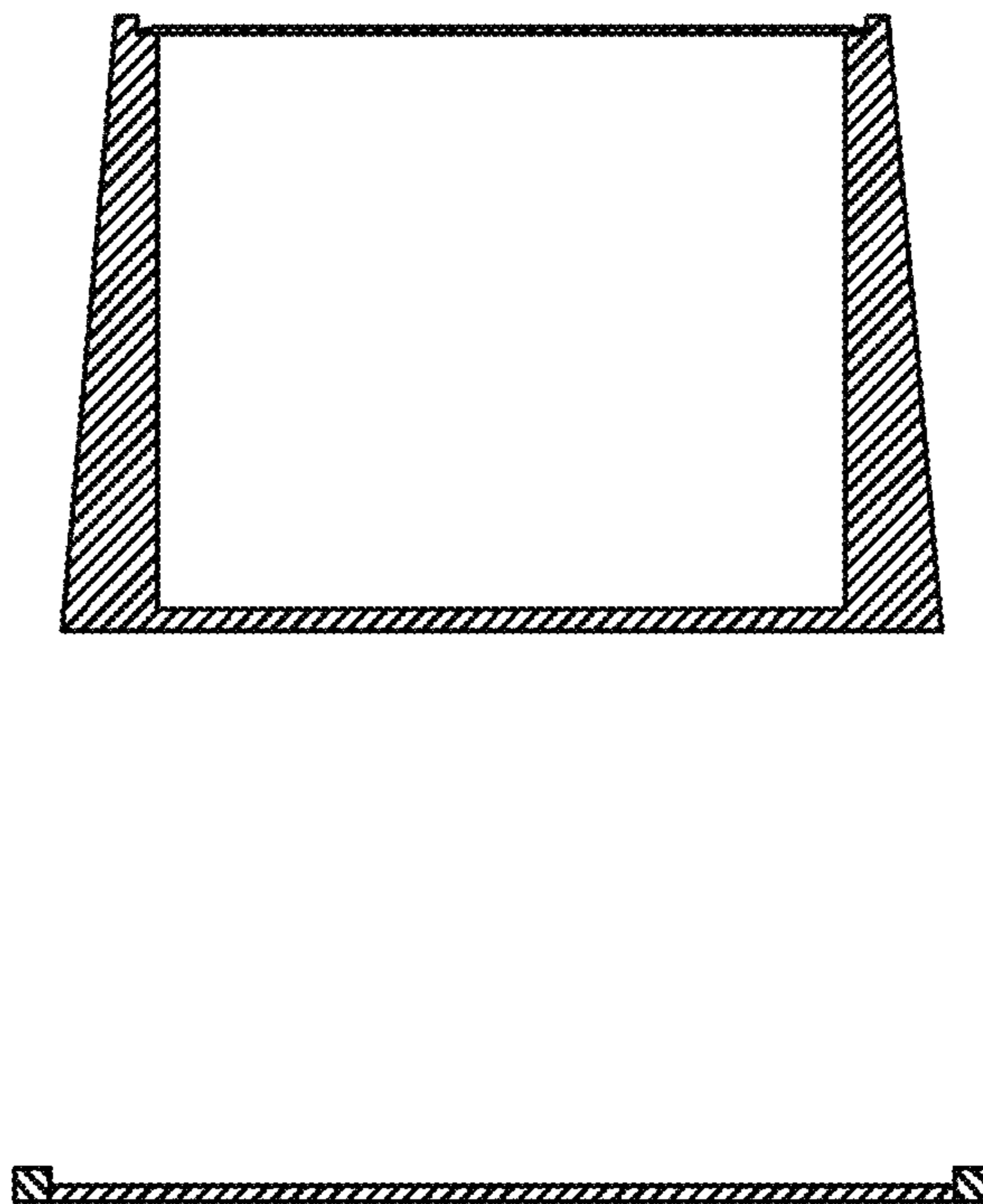


FIG. 8

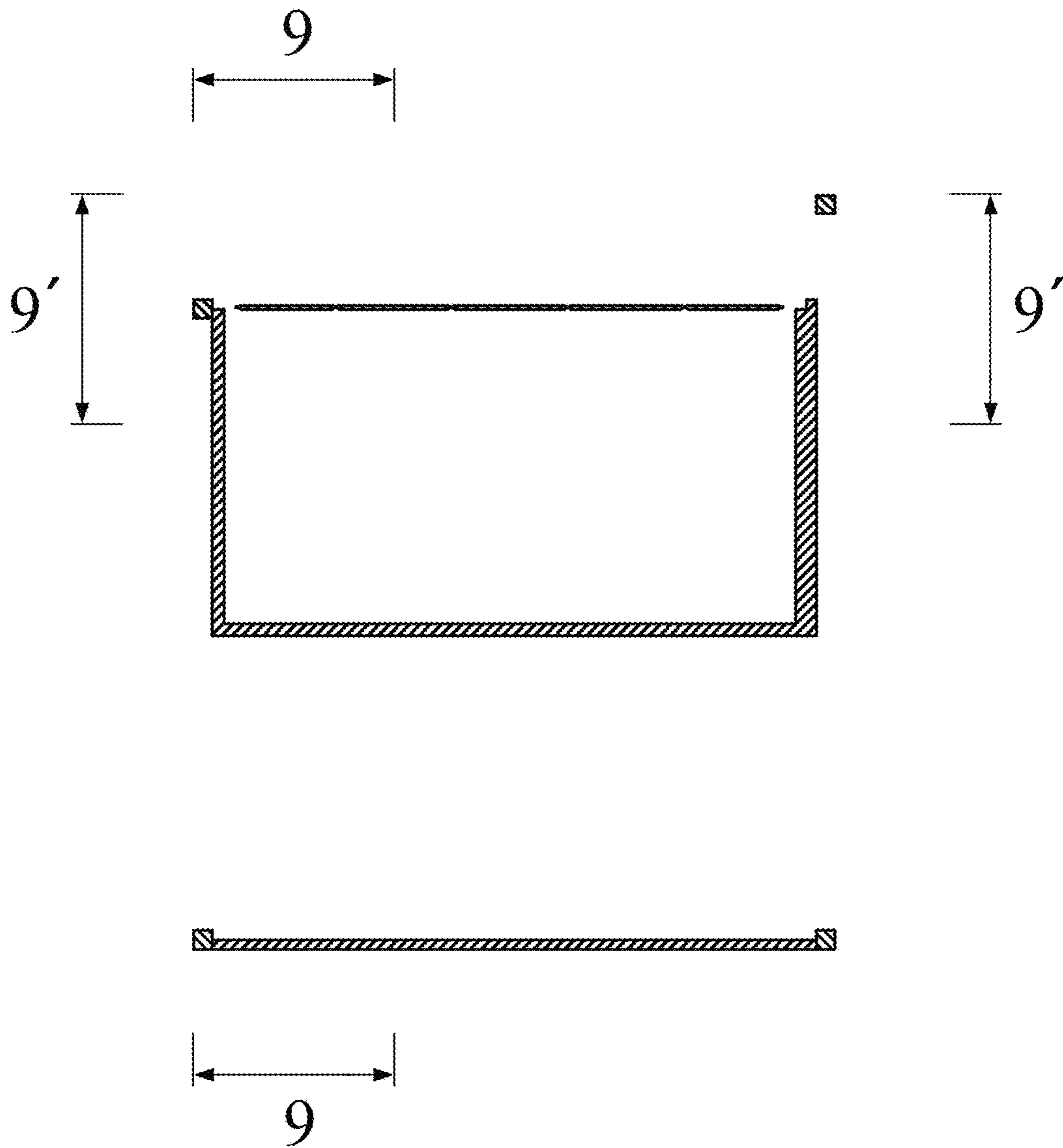


FIG. 9

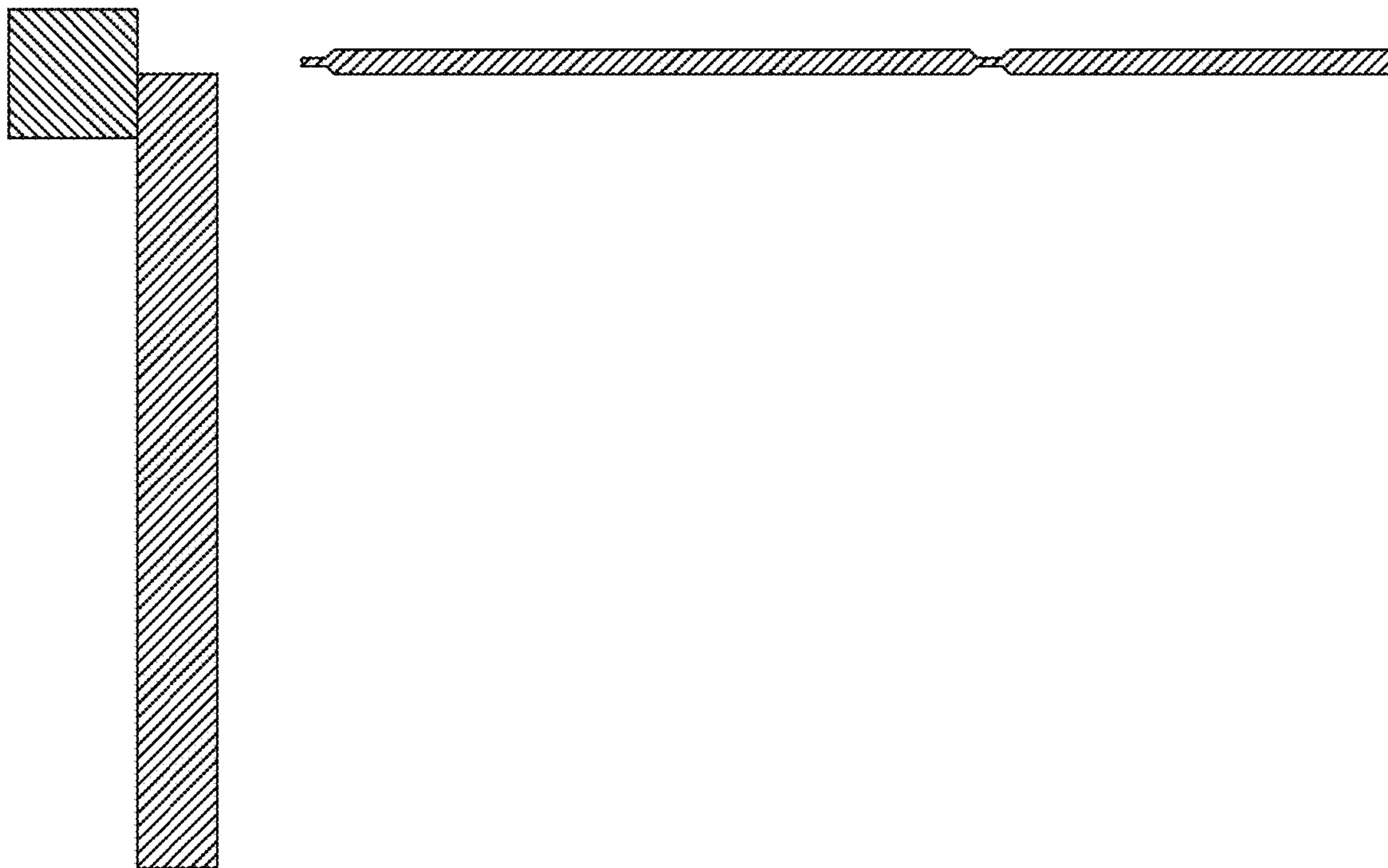


FIG. 10

