



US00D792047S

(12) **United States Design Patent** (10) **Patent No.:** **US D792,047 S**  
**Garey** (45) **Date of Patent:** **\*\* Jul. 11, 2017**

(54) **CART WITH AN ADJUSTABLE TOP**

6,663,200 B1 \* 12/2003 James ..... A47B 19/00  
312/140.2

(71) Applicant: **Richards Homewares, Inc.**, Portland,  
OR (US)

D543,723 S \* 6/2007 Brown ..... D34/19  
D748,329 S \* 1/2016 Bagai ..... D27/186  
2004/0066012 A1 \* 4/2004 Choi ..... B62B 3/02  
280/47.35

(72) Inventor: **James Garey**, New York, NY (US)

2006/0232032 A1 \* 10/2006 Goldberg ..... B62B 3/006  
280/47.35

(73) Assignee: **Richards Homewares, Inc.**, Portland,  
OR (US)

2014/0217690 A1 \* 8/2014 Schumaker ..... B62B 3/005  
280/47.35

(\*\*) Term: **15 Years**

\* cited by examiner

(21) Appl. No.: **29/542,703**

*Primary Examiner* — Cynthia Ramirez

(22) Filed: **Oct. 16, 2015**

(74) *Attorney, Agent, or Firm* — Chernoff Vilhauer LLP

(51) **LOC (10) Cl.** ..... **12-13**

(57) **CLAIM**

(52) **U.S. Cl.**  
USPC ..... **D34/12; D34/21; D34/27**

The ornamental design for a cart with an adjustable top, as shown and described.

(58) **Field of Classification Search**

**DESCRIPTION**

USPC ..... D34/12, 14, 19, 20, 21, 25  
CPC .. A47F 5/005; A47F 3/12; A47F 3/005; A47F  
3/00; B62B 3/02; B62B 1/12

See application file for complete search history.

FIG. 1 is a top, left, front isometric view of a cart with an adjustable top showing my new design;  
FIG. 2 is a front side elevational view of the cart shown in FIG. 1;

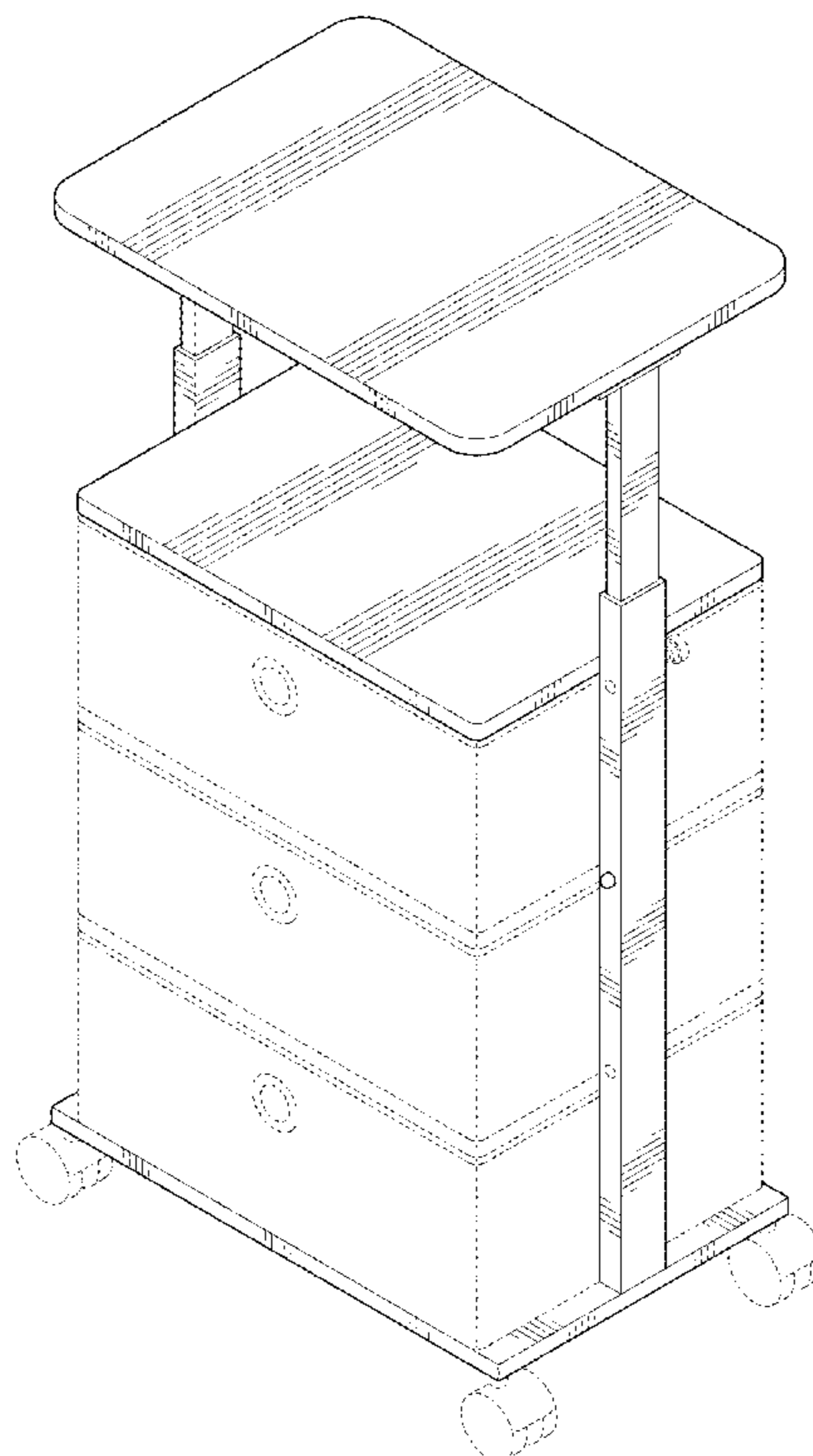
(56) **References Cited**

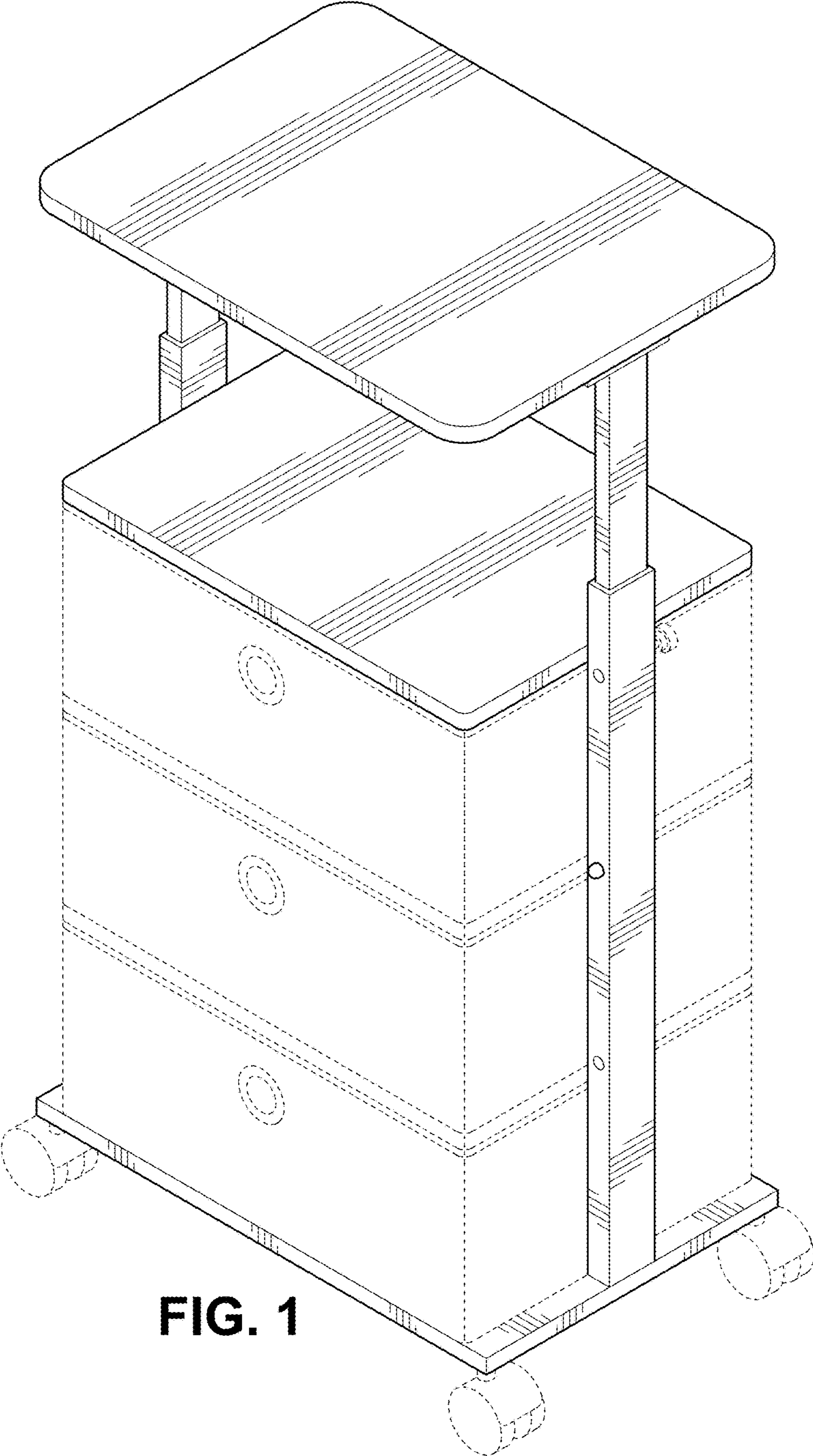
**U.S. PATENT DOCUMENTS**

- 2,896,789 A \* 7/1959 Sans ..... A47G 25/0664  
108/28
- D199,670 S \* 12/1964 Inglis ..... D34/21
- D240,629 S \* 7/1976 Cope ..... D24/177
- D285,134 S \* 8/1986 Schunter ..... D34/21
- 4,765,494 A \* 8/1988 Avery ..... A47F 7/0028  
211/128.1
- D353,926 S \* 12/1994 Aguilar ..... D34/21

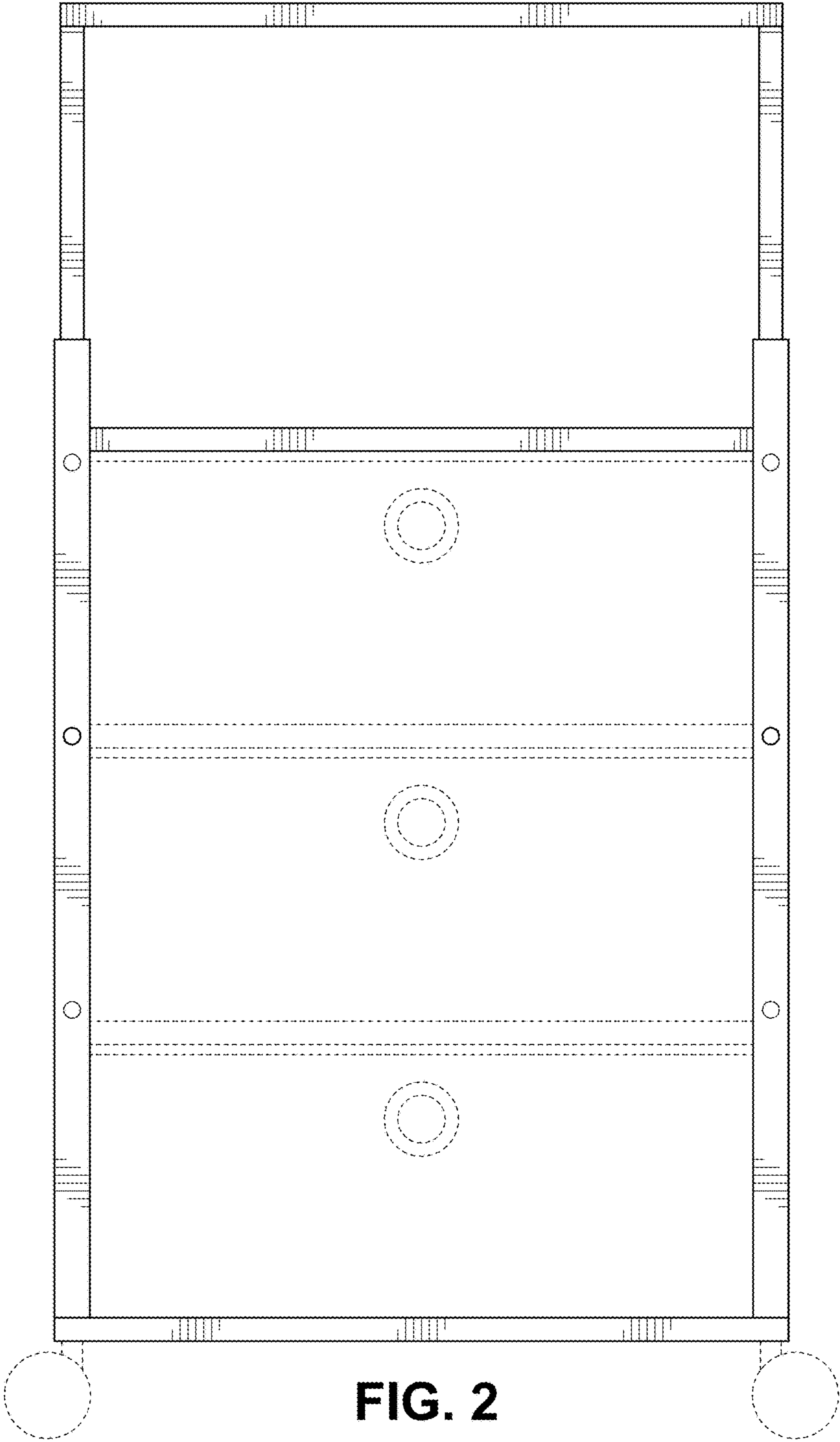
FIG. 3 is a left side elevational view thereof;  
FIG. 4 is a right side elevational view thereof;  
FIG. 5 is a top plan view thereof;  
FIG. 6 is a back side elevational view thereof; and,  
FIG. 7 is a top, left, front isometric view thereof, showing the top of the cart in an alternate position.  
The broken line showing of shelves in the figures is included for the purpose of illustrating environment and forms no part of the claimed design.

**1 Claim, 7 Drawing Sheets**

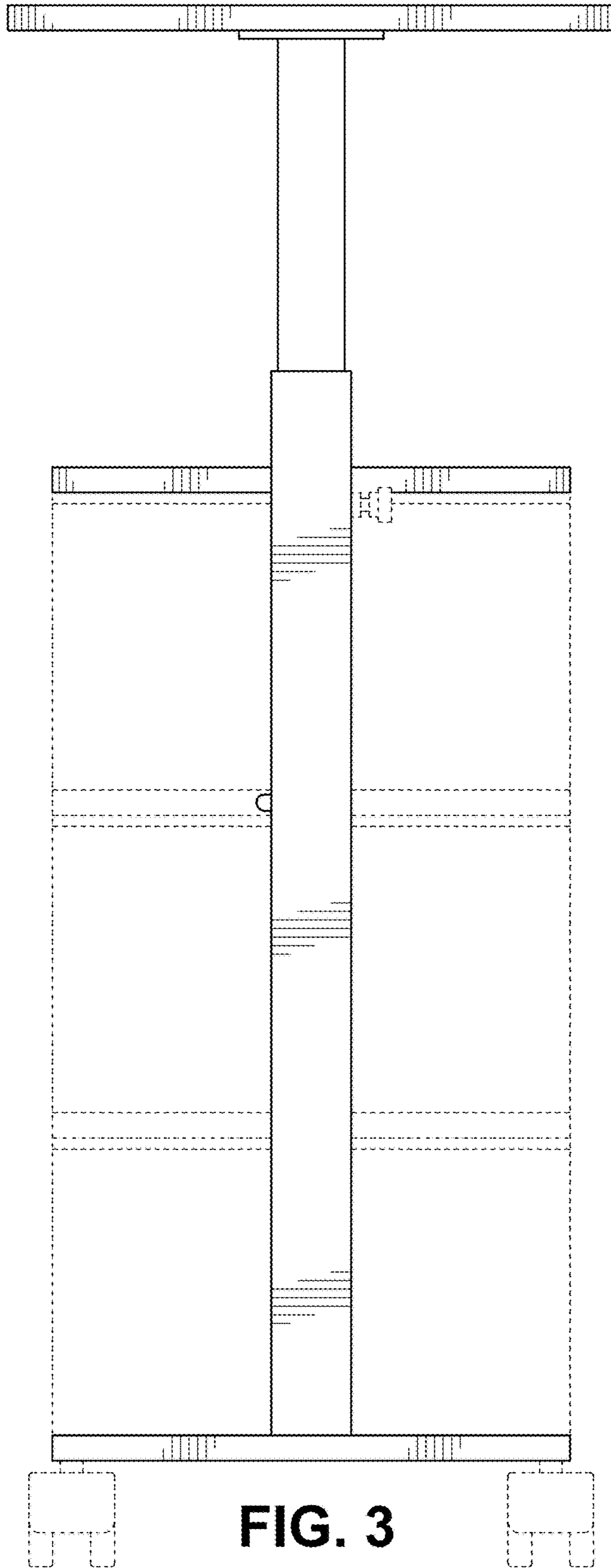




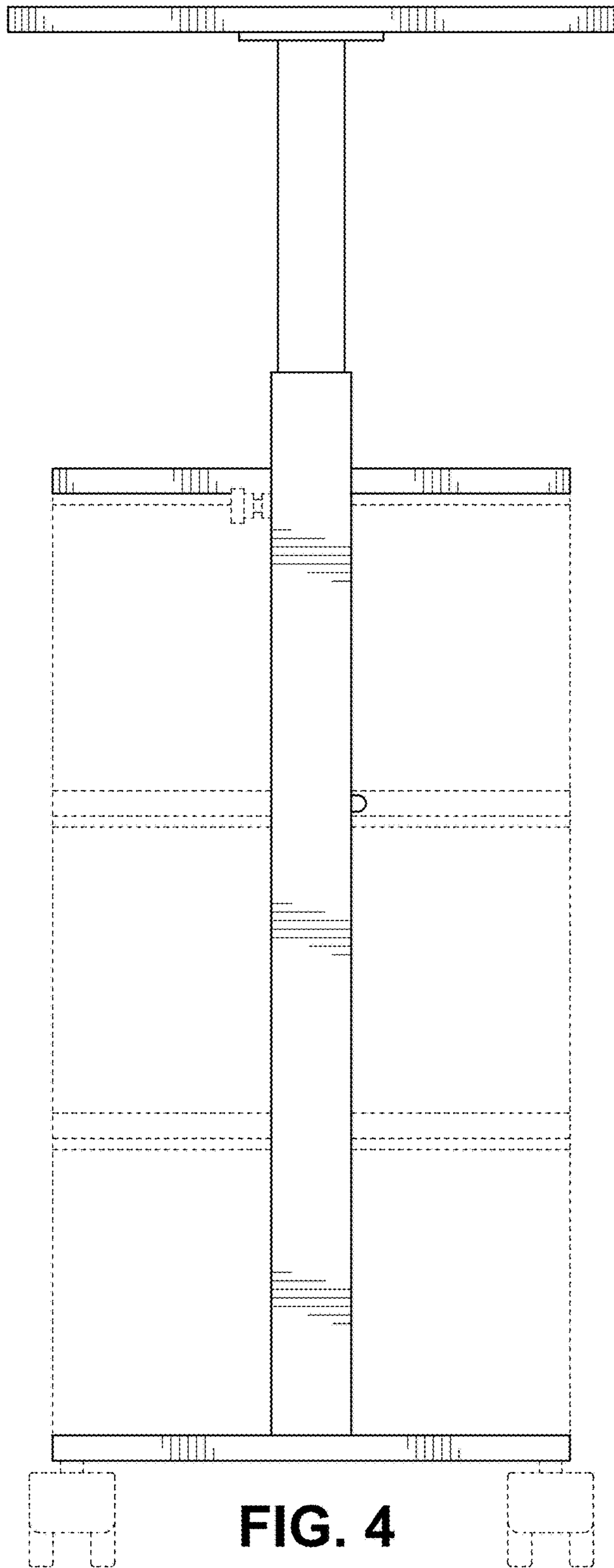
**FIG. 1**



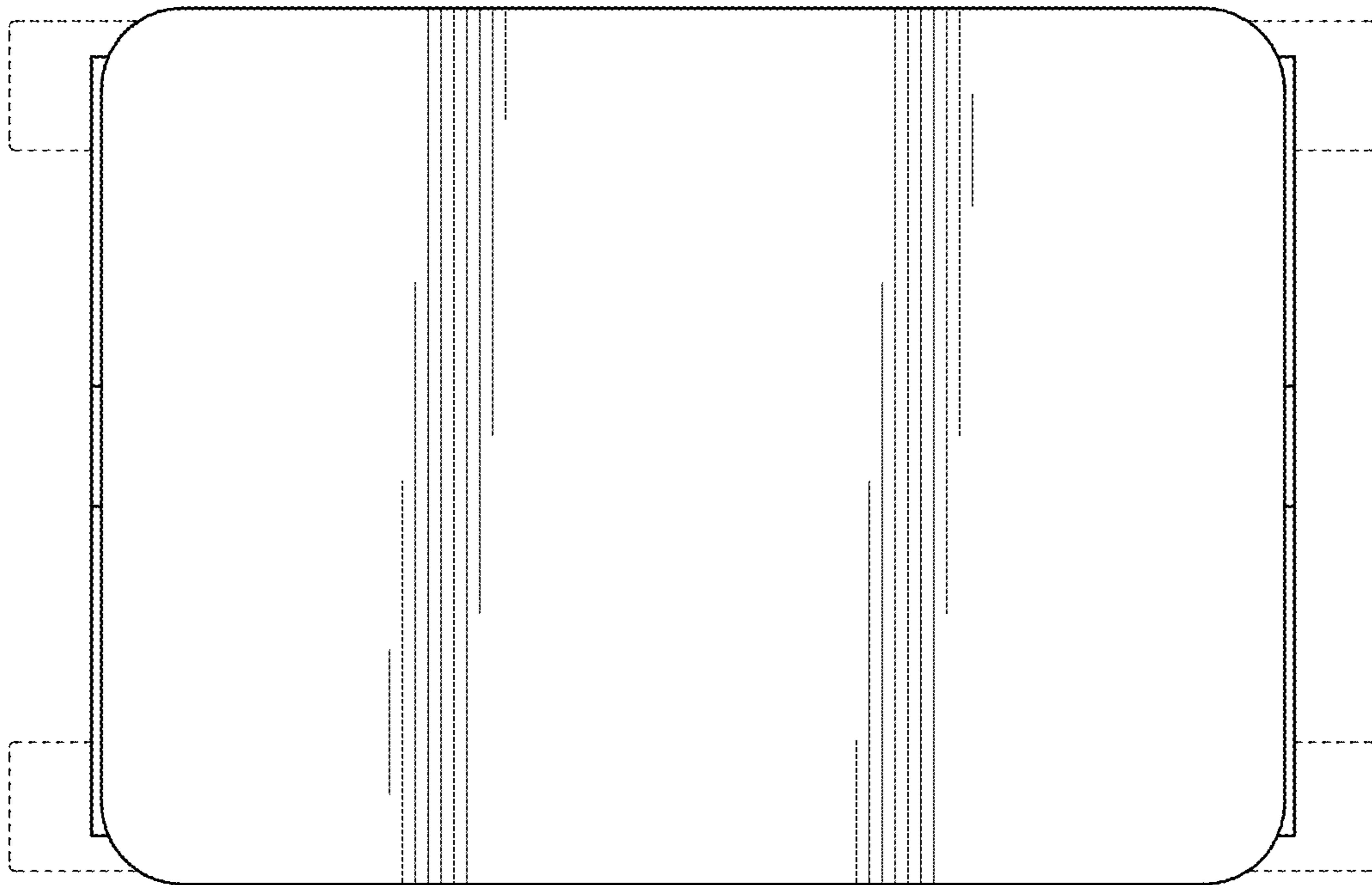
**FIG. 2**



**FIG. 3**



**FIG. 4**



**FIG. 5**

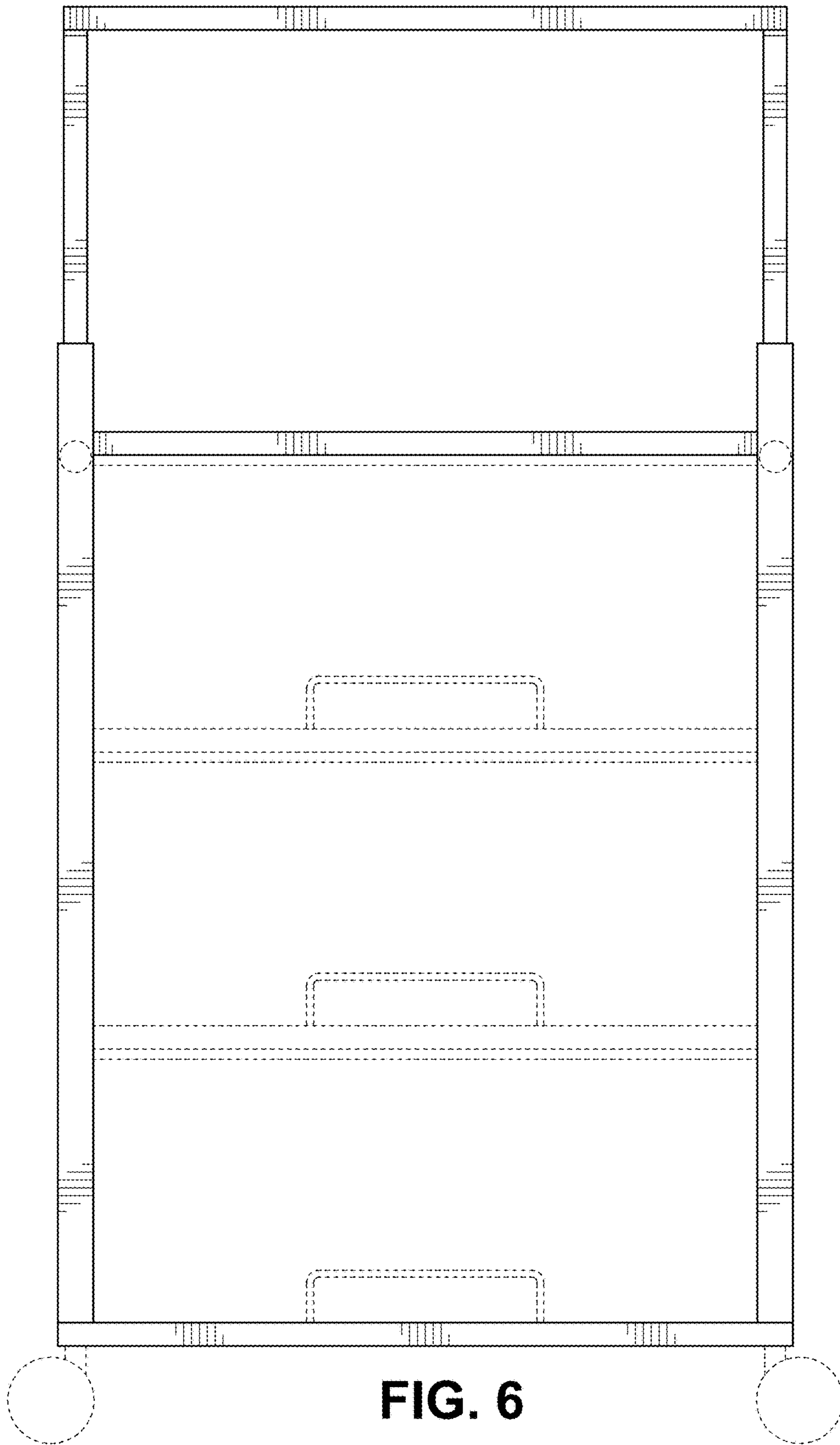
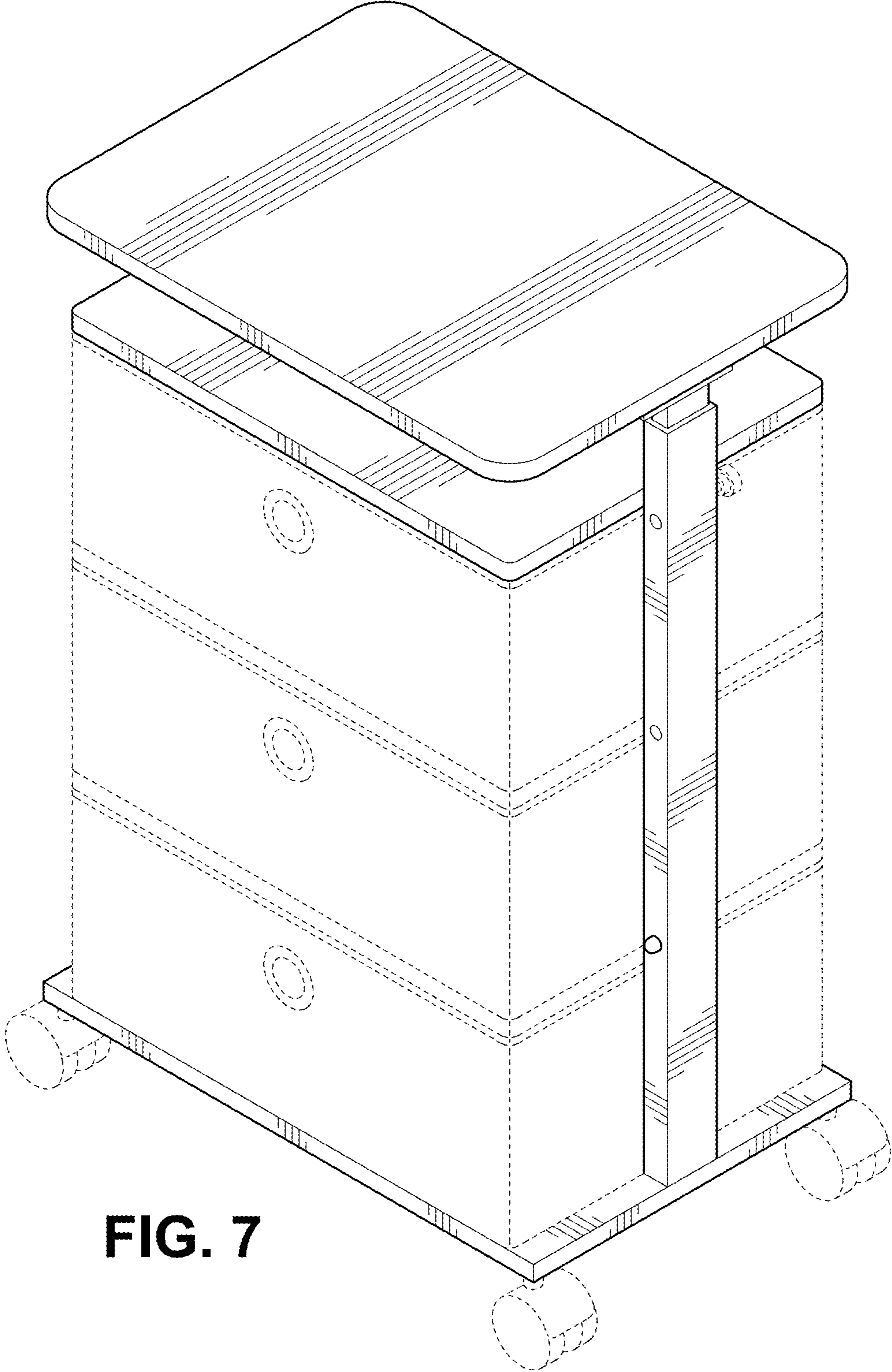


FIG. 6



**FIG. 7**