



US00D792046S

(12) **United States Design Patent**  
**Hankey**

(10) **Patent No.:** **US D792,046 S**

(45) **Date of Patent:** **\*\* Jul. 11, 2017**

(54) **LIFT POCKET FOR A REFUSE CONTAINER**

(71) Applicant: **J. Daniel Hankey**, Durant, OK (US)

(72) Inventor: **J. Daniel Hankey**, Durant, OK (US)

(\*\*) Term: **15 Years**

(21) Appl. No.: **29/565,403**

(22) Filed: **May 20, 2016**

5,423,448 A	6/1995	Pedigo	
5,490,606 A	2/1996	Lombardo	
D376,456 S *	12/1996	Presnell	D34/1
5,878,904 A *	3/1999	Schweigert	B65F 1/085
			220/23.4
D422,450 S *	4/2000	Conti	16/110.1
6,702,135 B2	3/2004	Pickler	
7,185,783 B1 *	3/2007	Miller	B65F 1/14
			206/515
7,766,186 B1 *	8/2010	Brown	B65F 1/02
			220/772

(Continued)

**Related U.S. Application Data**

(63) Continuation of application No. 14/529,444, filed on Oct. 31, 2014, which is a continuation of application No. 13/017,661, filed on Jan. 31, 2011, now Pat. No. 8,875,932.

(51) **LOC (10) Cl.** ..... **09-09**

(52) **U.S. Cl.**  
USPC ..... **D34/10**

(58) **Field of Classification Search**  
USPC ..... D34/1-11; 220/908-911, 200, 252, 254, 220/751, 4.33, 315  
CPC .... B65F 1/062; B65F 1/02; B65F 1/16; B65F 1/002; B65F 1/04; B65F 1/0013; B65F 2230/134

See application file for complete search history.

(56) **References Cited**

**U.S. PATENT DOCUMENTS**

4,157,609 A	6/1979	Schutz	
4,186,844 A	2/1980	Swanson	
4,315,574 A	2/1982	Forny et al.	
4,373,849 A	2/1983	Robinson	
4,676,431 A	6/1987	Teske et al.	
4,726,616 A	2/1988	Schmidt	
4,955,501 A	9/1990	Hodge	
5,118,000 A	6/1992	Howell et al.	
D351,702 S *	10/1994	Breen	D34/10
D351,703 S *	10/1994	Breen	D34/10

**OTHER PUBLICATIONS**

Maxi, [http://rachelmaxi.blogspot.com/2008/06/upcoming-show-at-some-space-gallery\\_05.html](http://rachelmaxi.blogspot.com/2008/06/upcoming-show-at-some-space-gallery_05.html), Jun. 5, 2008.

(Continued)

*Primary Examiner* — Cynthia Ramirez

(74) *Attorney, Agent, or Firm* — GableGotwals

(57) **CLAIM**

The ornamental design for a lift pocket for a refuse container, as shown and described.

**DESCRIPTION**

FIG. 1 is a front elevation view of a lift pocket for a refuse container showing my new design.

FIG. 2 is a top plan view thereof, the bottom plan view being identical thereto.

FIG. 3 is a right side elevation view.

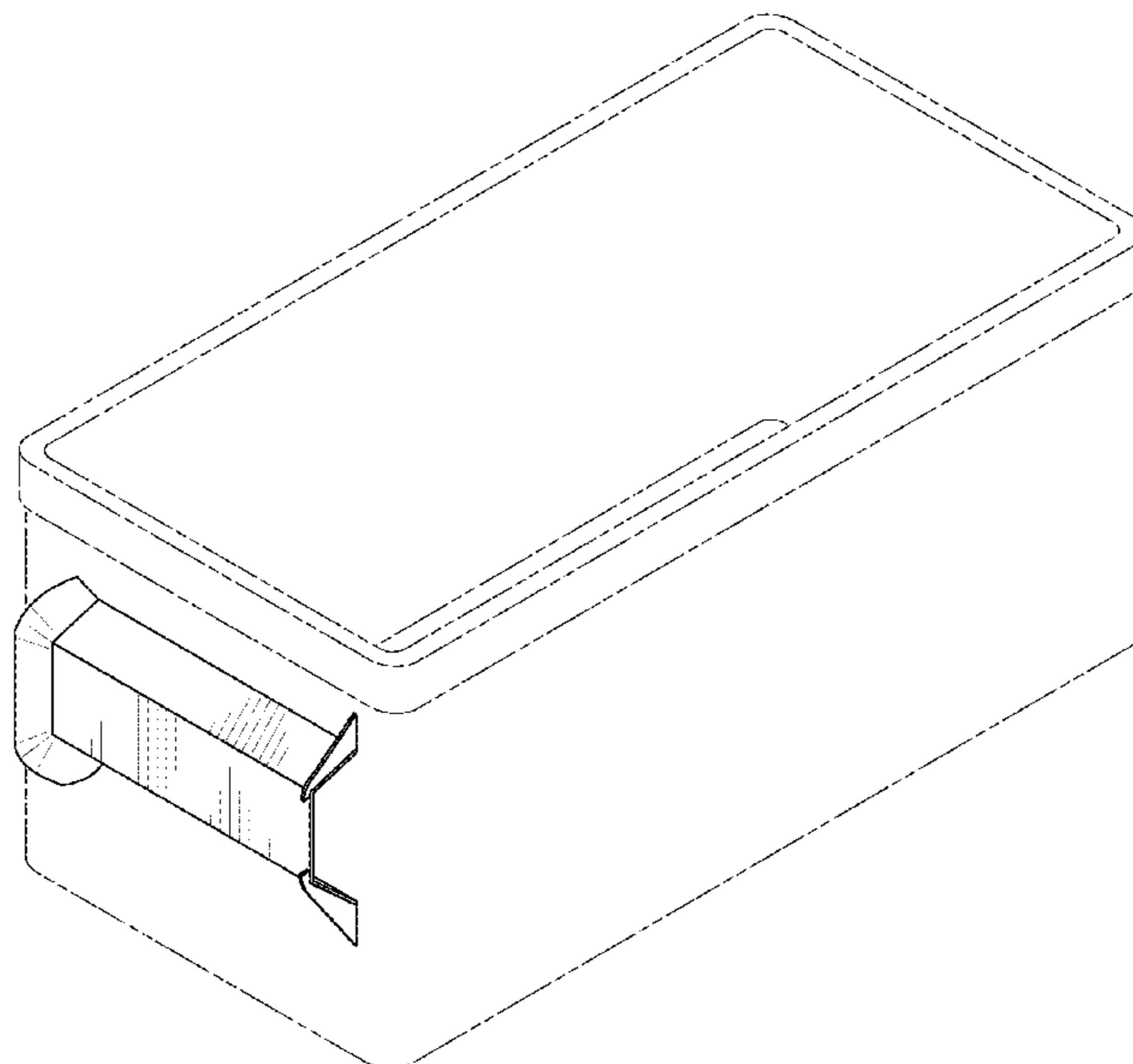
FIG. 4 is a left side elevation view.

FIG. 5 is a rear elevation view; and,

FIG. 6 is a perspective view showing the front, top, and right side.

The broken lines shown in the figures are included for the purpose of illustrating environment and forms no part of the claimed design.

**1 Claim, 3 Drawing Sheets**



(56)

**References Cited**

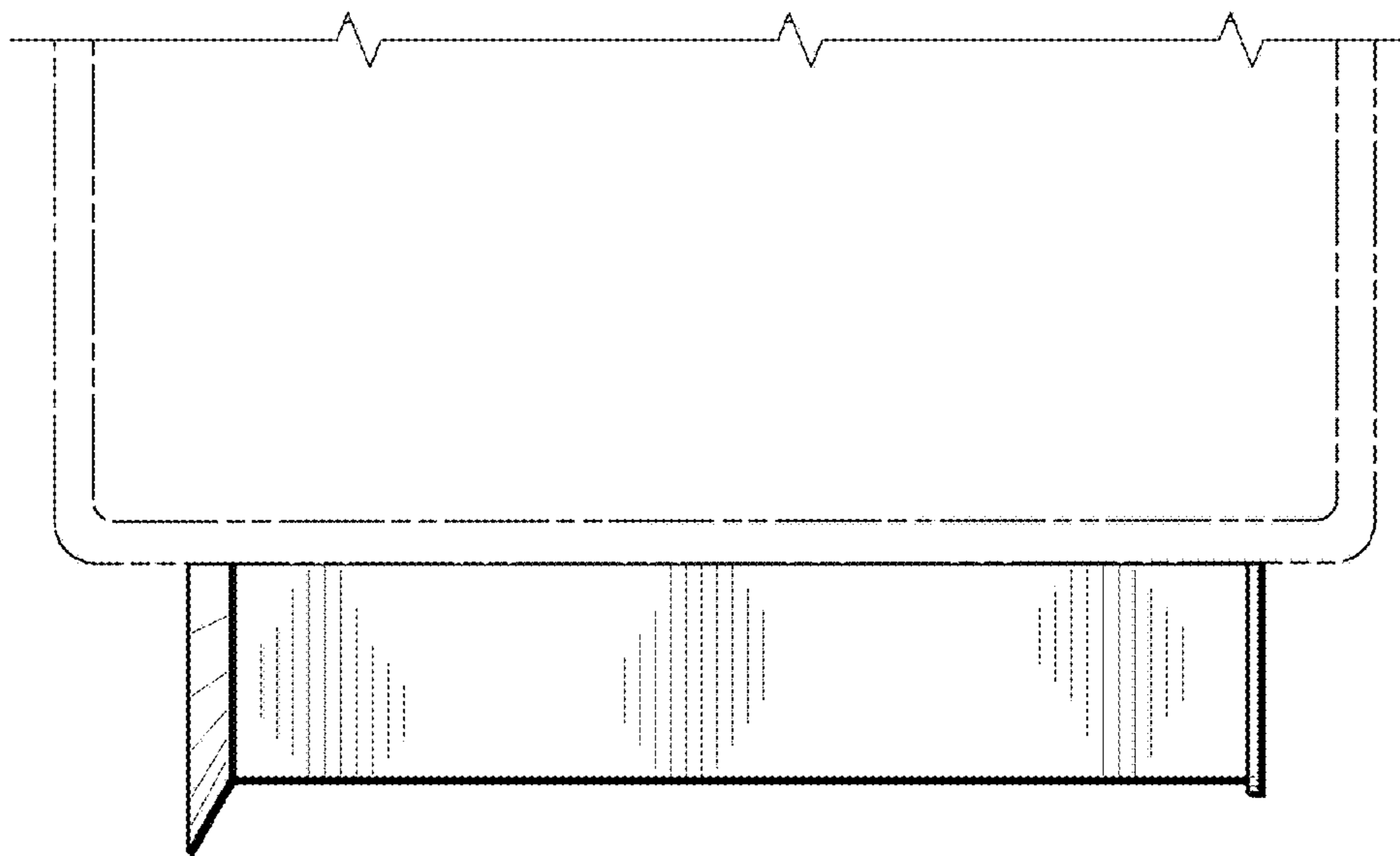
U.S. PATENT DOCUMENTS

8,066,144 B2 \* 11/2011 McNamara ..... B65F 1/06  
220/495.01  
8,123,061 B1 2/2012 Brown  
2004/0262320 A1 12/2004 Pruett  
2006/0060593 A1 3/2006 Maggio et al.  
2009/0032545 A1 2/2009 Zeiler et al.  
2009/0179444 A1 7/2009 Apps et al.  
2011/0000382 A1 1/2011 Sherwood et al.

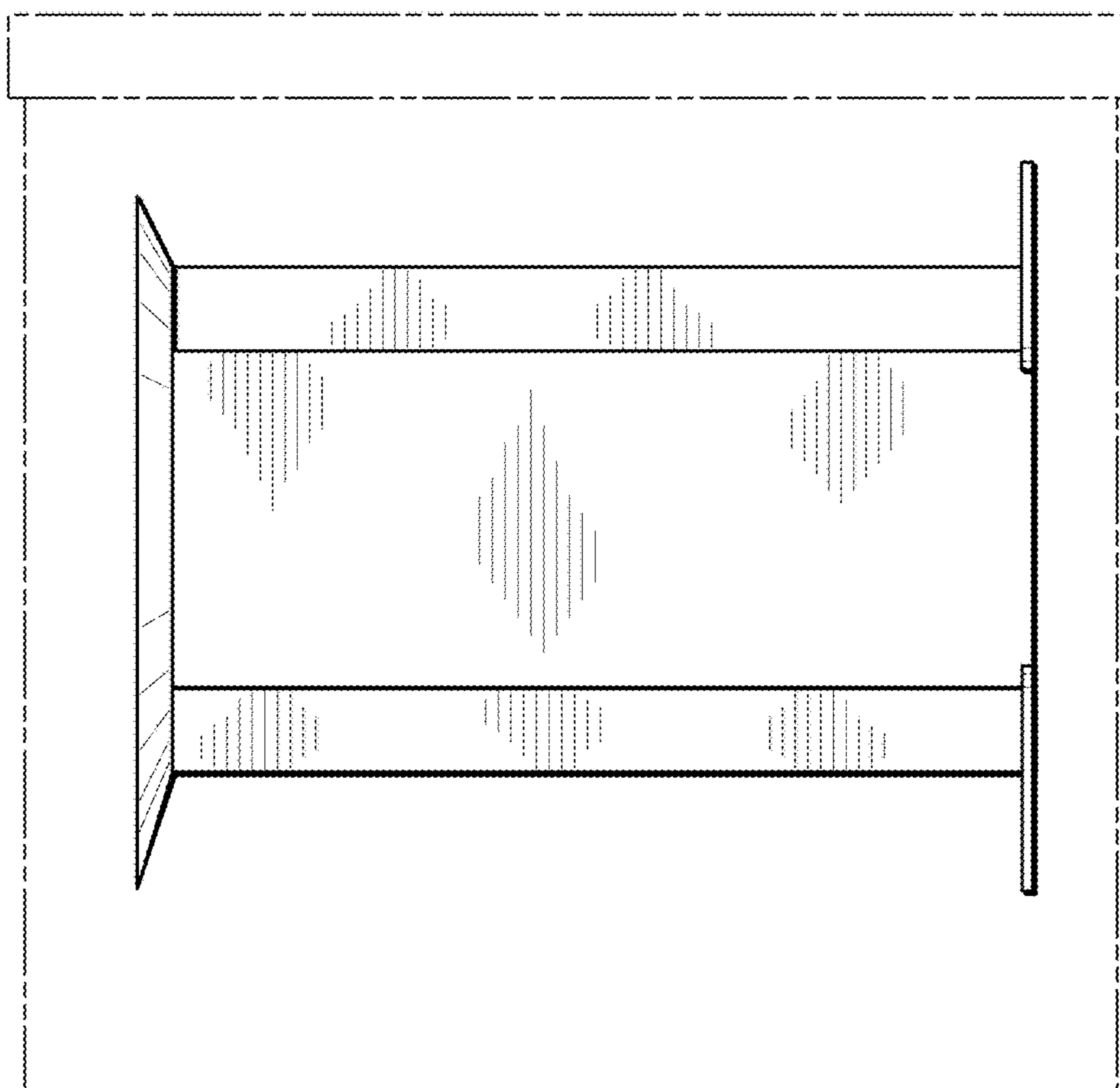
OTHER PUBLICATIONS

Nailade, <http://eat3d.com/forum/art-gallery/garbage-dumpster>, Jul.  
22, 2010.

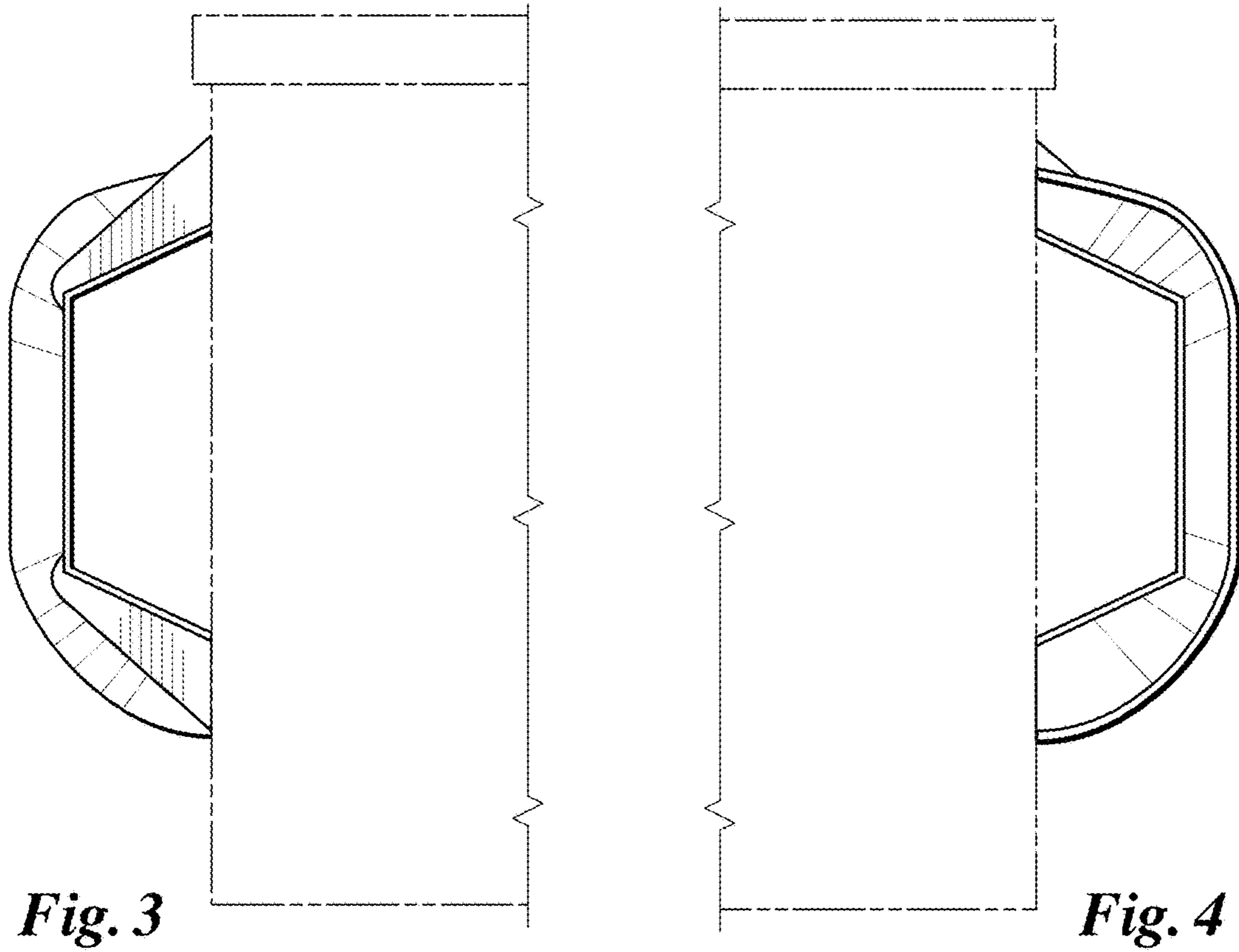
\* cited by examiner



*Fig. 2*

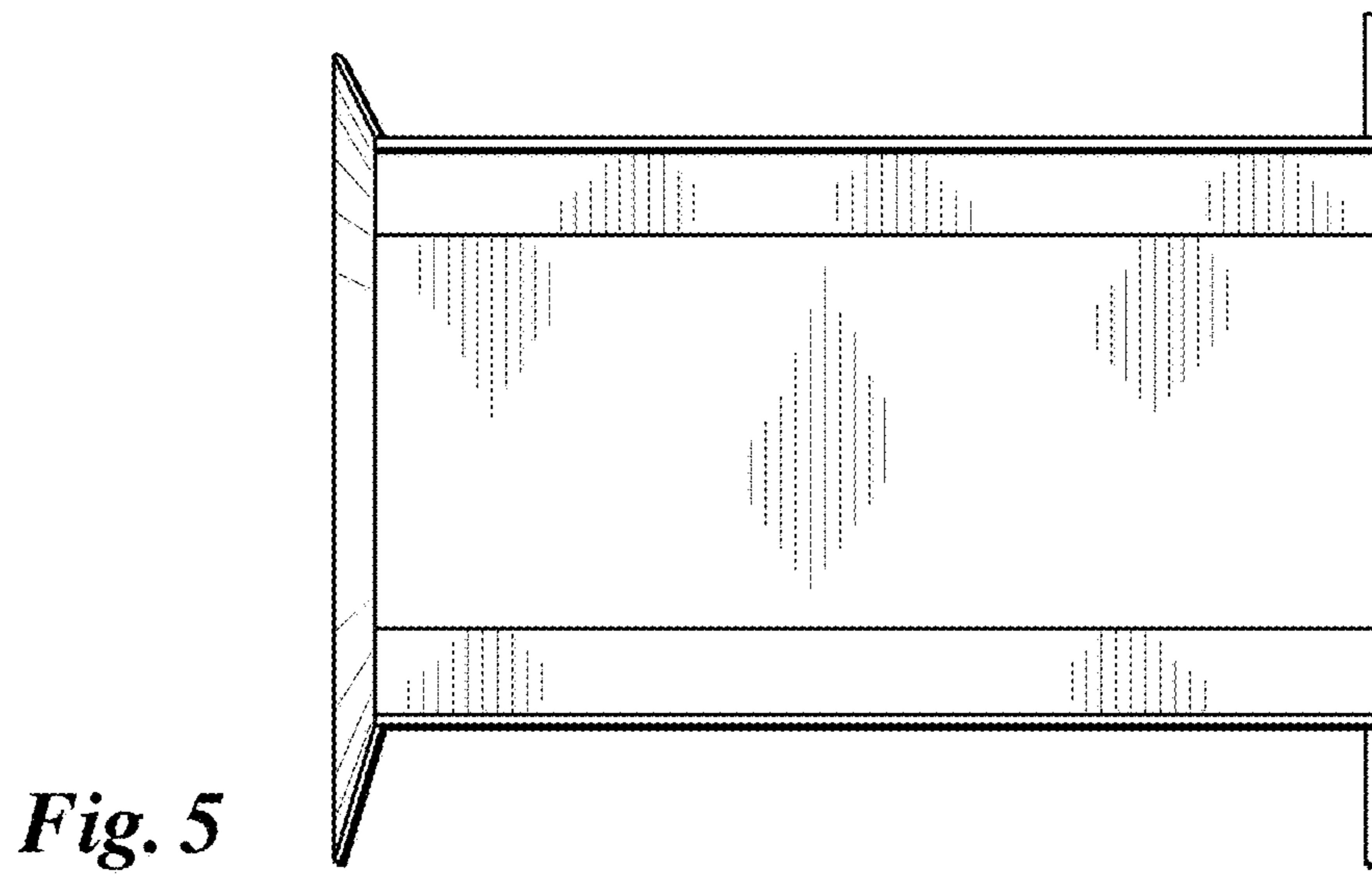


*Fig. 1*

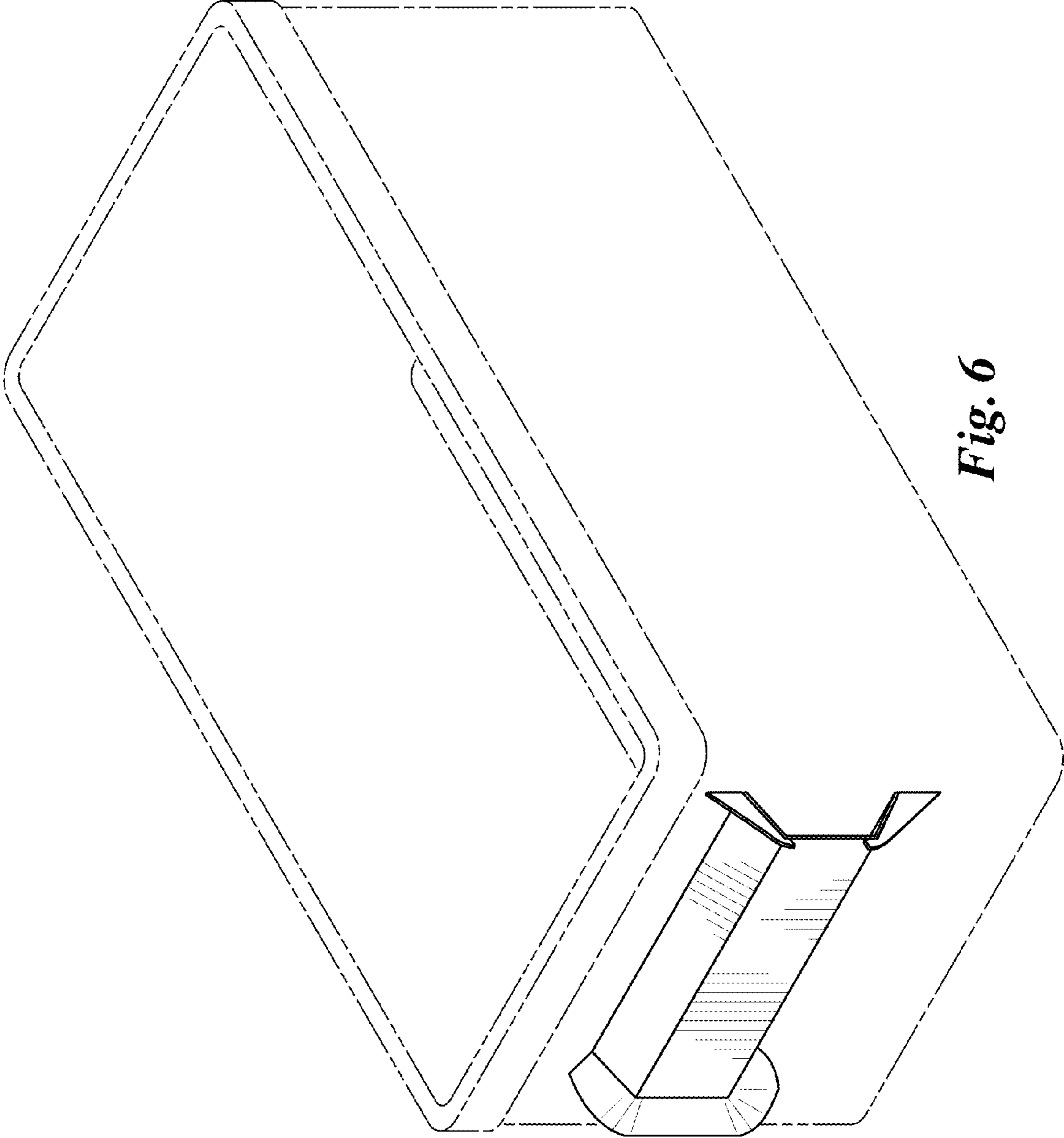


*Fig. 3*

*Fig. 4*



*Fig. 5*



*Fig. 6*