



US00D792045S

(12) **United States Design Patent** (10) **Patent No.:** **US D792,045 S**
Jaakkola (45) **Date of Patent:** **** Jul. 11, 2017**

(54) **SAND SIFTER**

(56) **References Cited**

(71) Applicant: **SINITUOTE OY**, Hyvinkää (FI)

U.S. PATENT DOCUMENTS

(72) Inventor: **Janne Jaakkola**, Tampere (FI)

D198,438 S * 6/1964 Wolcott D32/54

(73) Assignee: **SINITUOTE OY**, Hyvinkää (FI)

D490,198 S * 5/2004 Jerstroem D32/55

(**) Term: **15 Years**

D632,446 S * 2/2011 Tseng D32/53

(21) Appl. No.: **35/501,044**

D650,541 S * 12/2011 Mayer D32/55

(22) Filed: **Dec. 7, 2015**

D688,434 S * 8/2013 Kinsky D32/53

(80) **Hague Agreement Data**

D694,980 S * 12/2013 Libman D32/54

Int. Filing Date: **Dec. 7, 2015**

* cited by examiner

Int. Reg. No.: **DM/088980**

Primary Examiner — Michael A Pratt

Int. Reg. Date: **Dec. 7, 2015**

(74) *Attorney, Agent, or Firm* — The Webb Law Firm

Int. Reg. Pub. Date: **Jun. 10, 2016**

(57) **CLAIM**

The ornamental design for a sand sifter, as shown and described.

(30) **Foreign Application Priority Data**

DESCRIPTION

Nov. 11, 2015 (EM) 002856047-0001

(51) **LOC (10) Cl.** **07-07**

(52) **U.S. Cl.**

1. Sand sifter

1.1 : Perspective

1.2 : Perspective

1.3 : Top

1.4 : Bottom

1.5 : Left

1.6 : Back

Sand sifter for use with a cleaning bucket; front view is omitted because it is identical with the back view; right side view is omitted because it is identical with the left side view.

USPC **D32/53**

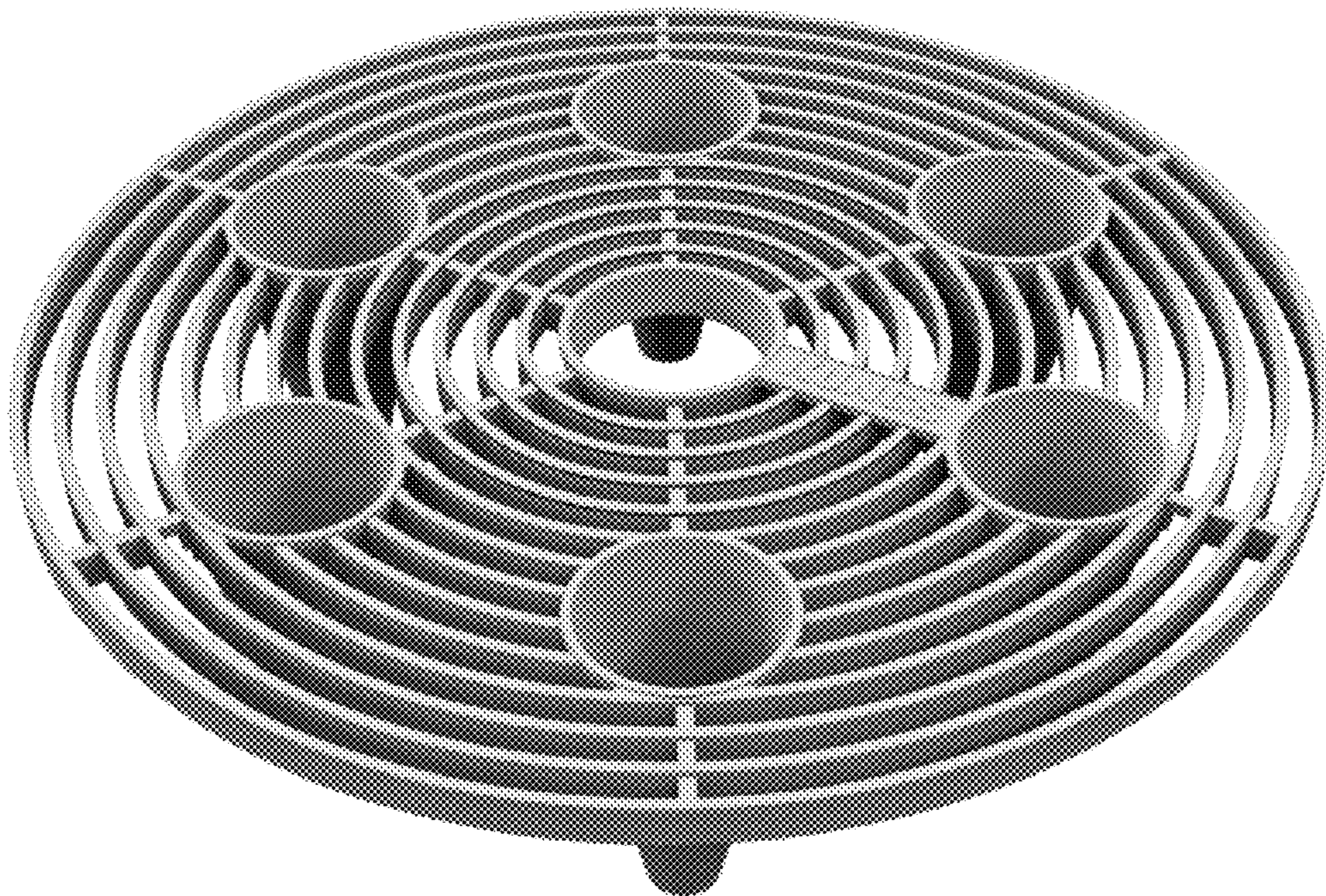
(58) **Field of Classification Search**

USPC D32/53, 53.1, 54, 55, 56; D8/1; D7/667; D30/161

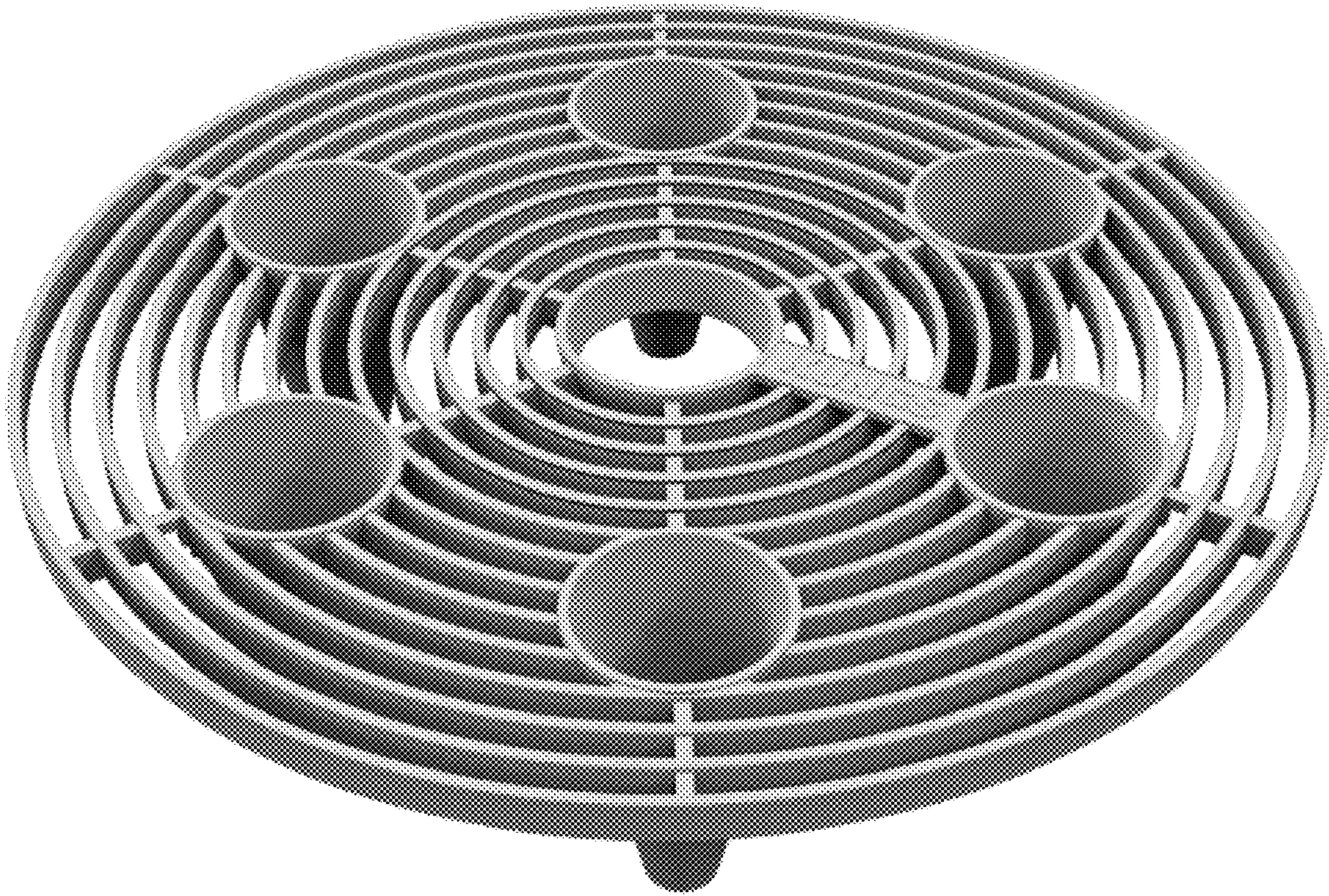
CPC .. A01K 1/0117; A01K 1/0107; A01K 1/0121; A01K 1/0114; A01K 1/035; C22B 11/10; F24B 15/007; F24B 15/08

See application file for complete search history.

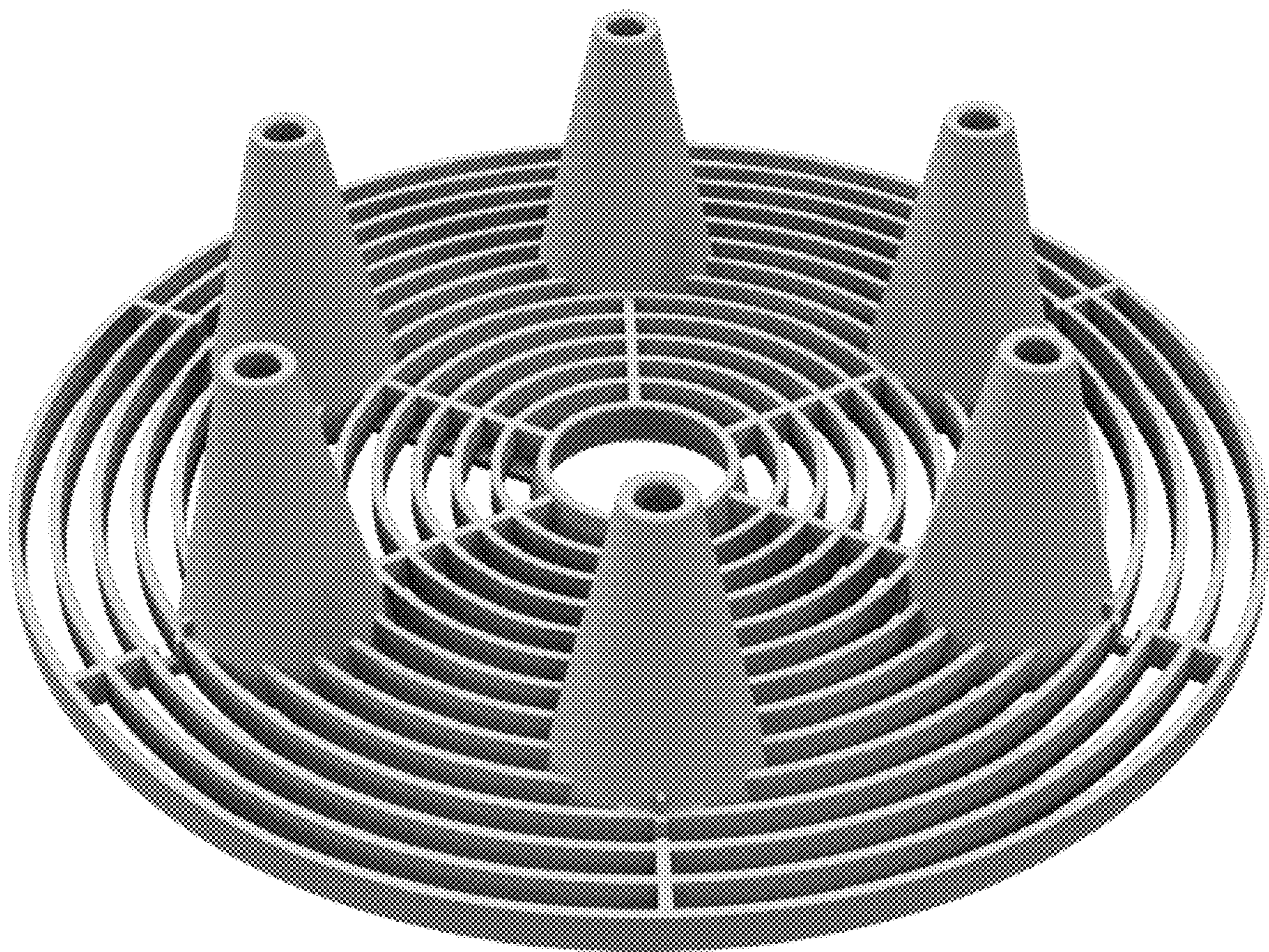
1 Claim, 6 Drawing Sheets



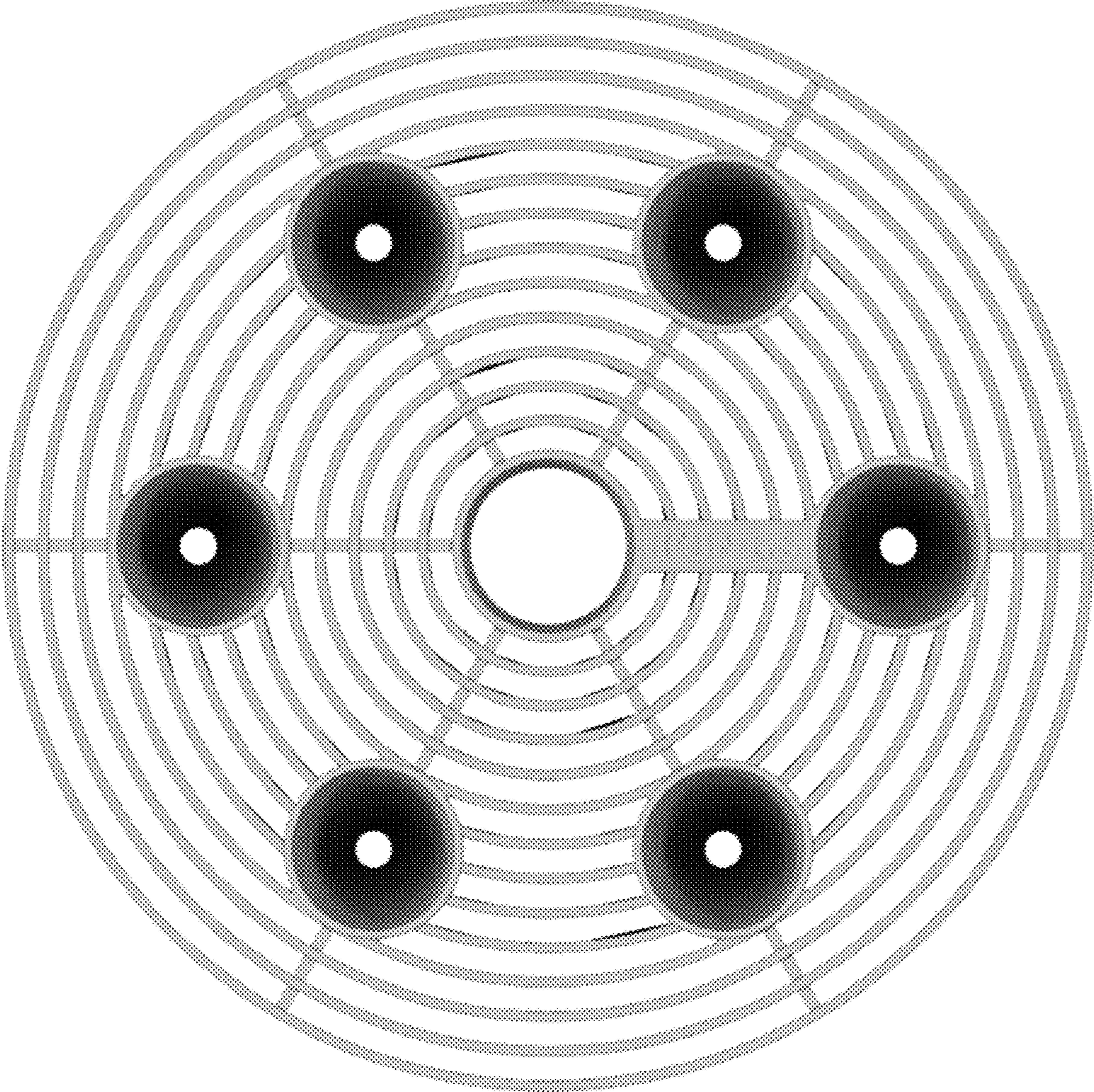
1.1



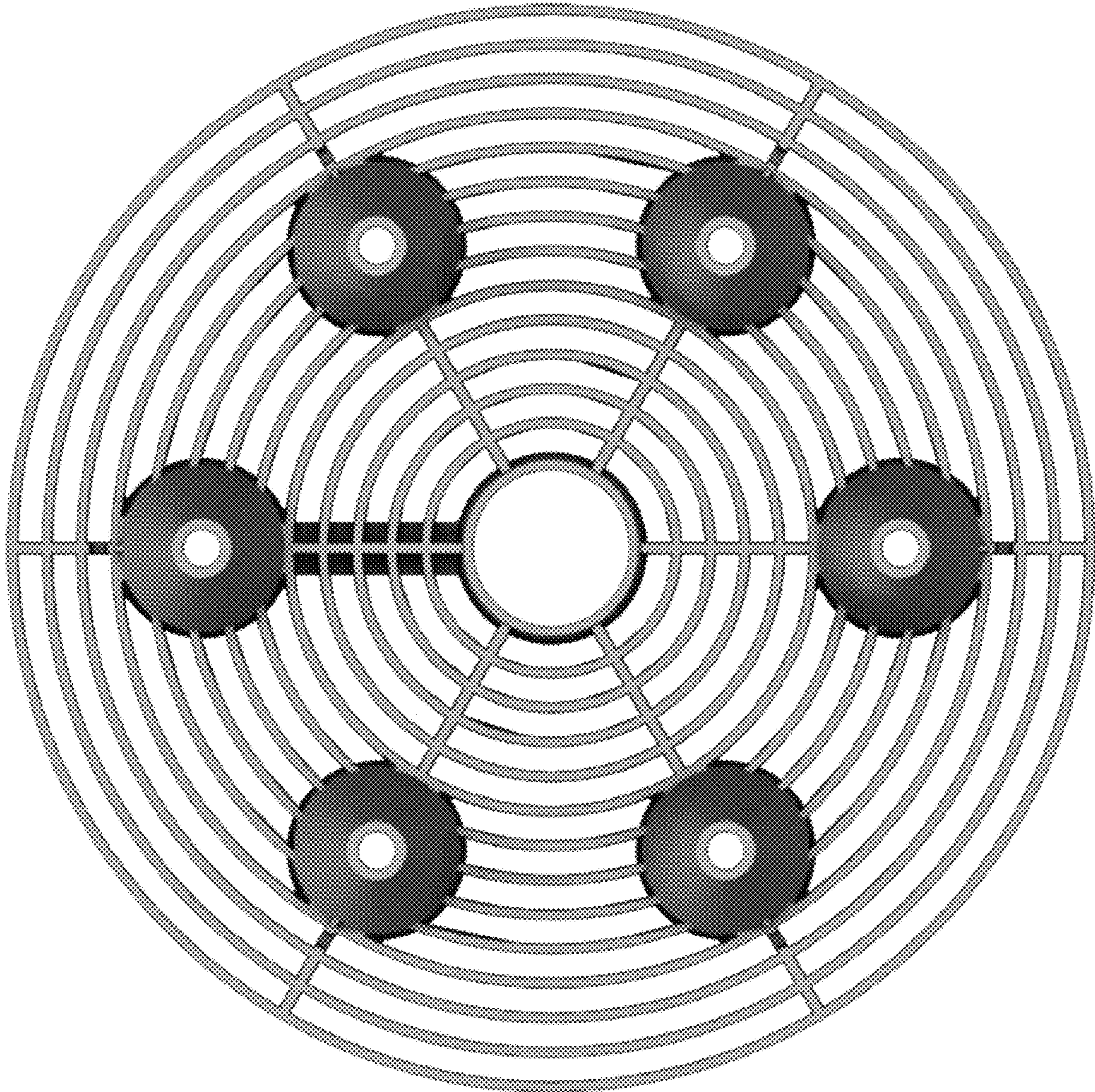
1.2



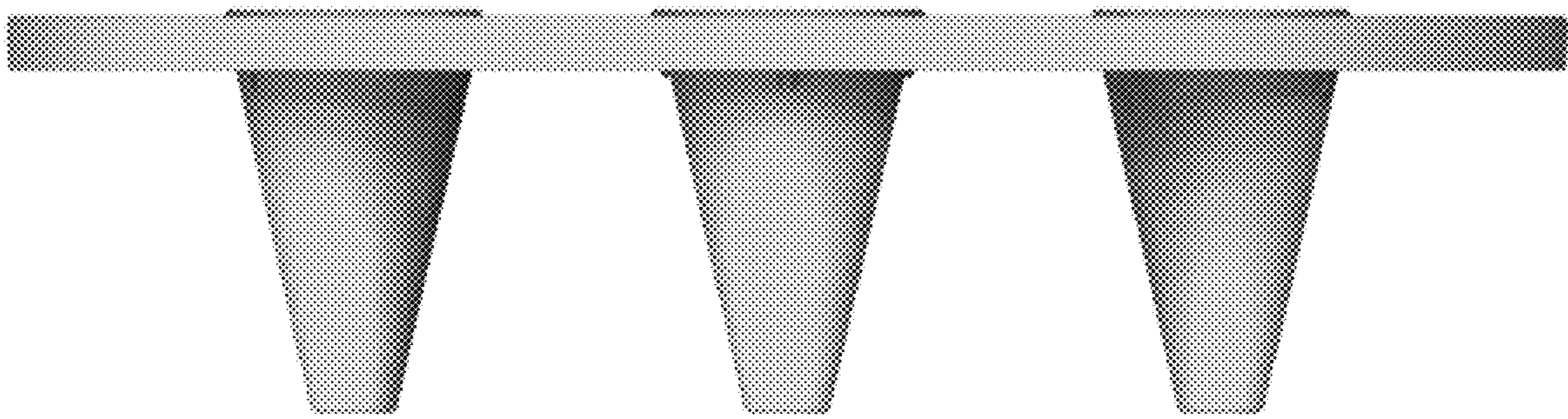
1.3



1.4



1.5



1.6

