

US00D792044S

(12) **United States Design Patent**  
**Harrington et al.**

(10) **Patent No.:** **US D792,044 S**  
(45) **Date of Patent:** **\*\* Jul. 11, 2017**

- (54) **POLE GRIP**
- (71) Applicant: **Unger Marketing International, LLC**,  
Bridgeport, CT (US)
- (72) Inventors: **William Harrington**, Charlestown, RI  
(US); **James M. Buckley**, New  
Hartford, CT (US); **Robert F. Smith**,  
Waterbury, CT (US)
- (73) Assignee: **UNGER MARKETING**  
**INTERNATIONAL, LLC**, Bridgeport,  
CT (US)
- (\*\*) Term: **15 Years**
- (21) Appl. No.: **29/550,202**
- (22) Filed: **Dec. 31, 2015**
- (51) **LOC (10) Cl.** ..... **04-01**
- (52) **U.S. Cl.**  
USPC ..... **D32/52**
- (58) **Field of Classification Search**  
USPC ..... D32/40-43, 50-52; D4/116-118, 199;  
D8/10-12, 33, 45, 47, 77-80, 83, 90, 93;  
D7/360-361; D3/12  
CPC . A47L 13/08; A47L 9/06; A47L 13/02; A46B  
5/02; A46B 11/00; B24D 15/06; B25F  
1/00; B26B 5/00; B44D 3/16; B08B 1/00;  
B60S 3/04; F16C 11/10  
See application file for complete search history.

D433,793 S \* 11/2000 San ..... D3/12  
D563,068 S \* 2/2008 Jiang ..... D32/50  
D576,801 S \* 9/2008 Dretzka ..... D4/116  
(Continued)

**FOREIGN PATENT DOCUMENTS**

JP D1124314 \* 10/2001  
JP D1423585 \* 9/2011

**OTHER PUBLICATIONS**

2017 New Arrival Green Led Umbrella Rain Women Parasol,  
<http://www.dhgate.com/product/new-arrival-green-led-umbrella-rain-women/386468857.html#s1-34-1;disc1235757638>, [site visited Feb. 15, 2017 5:16:30 PM].\*  
(Continued)

*Primary Examiner* — John Windmuller  
*Assistant Examiner* — John R Yeh  
(74) *Attorney, Agent, or Firm* — Ohlandt, Greeley,  
Ruggiero & Perle, L.L.P.

(57) **CLAIM**

The ornamental design for a pole grip, as shown and described.

**DESCRIPTION**

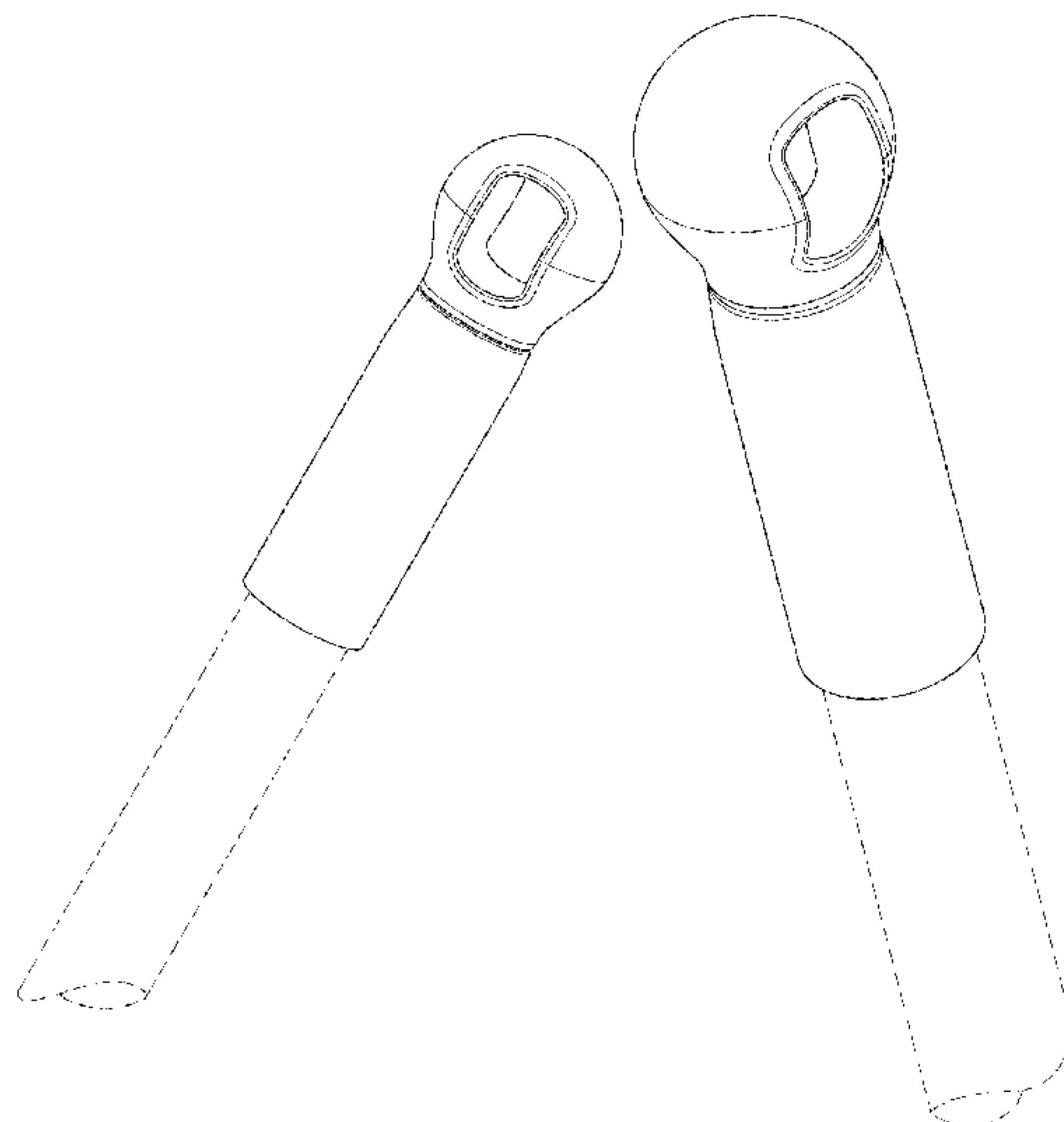
FIG. 1 is a side perspective view of a pole grip according to the present disclosure;  
FIG. 2 is a top perspective view of the pole grip of FIG. 1;  
FIG. 3 is a first side view of the pole grip of FIG. 1, the opposite side view being identical thereto;  
FIG. 4 is a second side view of the pole grip of FIG. 1, which is taken ninety degrees from the first side view of FIG. 3, the opposite side being identical thereto;  
FIG. 5 is a top view of the pole grip of FIG. 1; and,  
FIG. 6 is a bottom view of the pole grip of FIG. 1.  
The broken lines in the drawings form no part of the claimed design.

**1 Claim, 5 Drawing Sheets**

(56) **References Cited**

**U.S. PATENT DOCUMENTS**

- 239,126 A \* 3/1881 Wagner ..... A46B 5/02  
15/143.1
- D19,998 S \* 7/1890 Schmidt ..... D3/12
- 2,279,324 A \* 4/1942 Julien ..... B25G 1/04  
16/429
- D249,014 S \* 8/1978 Groeneveld ..... D8/14
- D360,123 S \* 7/1995 Shu ..... D8/107
- D383,578 S \* 9/1997 Ho ..... D32/22
- D421,881 S \* 3/2000 Wen ..... D8/1



(56)

**References Cited**

U.S. PATENT DOCUMENTS

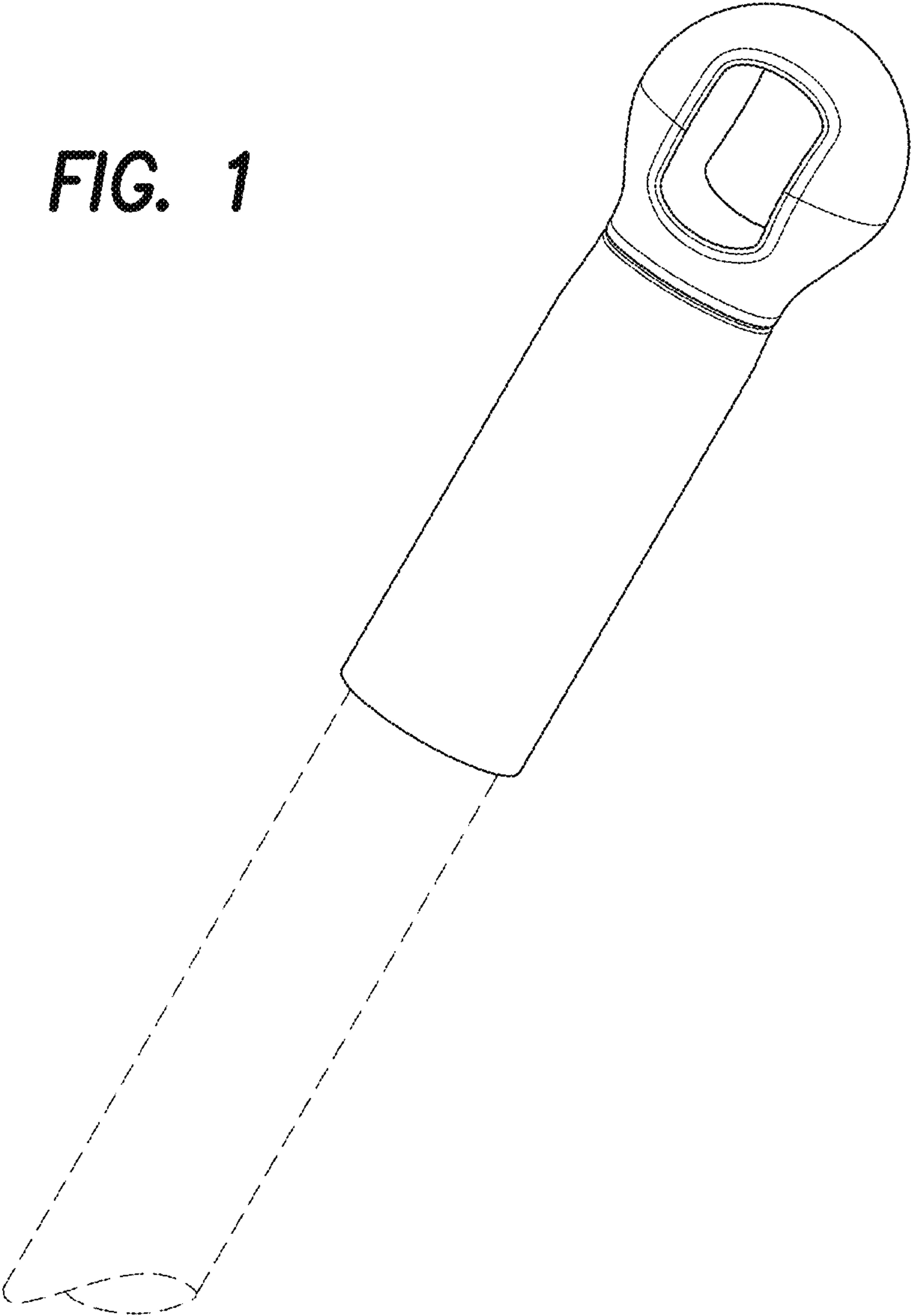
D584,022 S \* 12/2008 Sampaio ..... D32/50  
D597,269 S \* 7/2009 McNeil ..... D32/45  
D612,706 S \* 3/2010 Libman ..... D32/52  
D614,823 S \* 4/2010 Blom ..... A47L 13/255  
D32/50  
D618,411 S \* 6/2010 Crawford ..... D32/40  
D660,535 S \* 5/2012 Menius ..... D32/51  
D680,290 S \* 4/2013 Hsiao ..... D32/44  
D688,489 S \* 8/2013 Cohen ..... E03C 1/308  
D6/524  
D698,112 S \* 1/2014 Molinet ..... D32/51  
D705,619 S \* 5/2014 Masalin ..... D8/10  
D728,871 S \* 5/2015 Masalin ..... D32/5  
D742,609 S \* 11/2015 Irwin ..... D32/50  
D746,649 S \* 1/2016 McConnell ..... D7/688  
2002/0144369 A1 \* 10/2002 Biggs ..... A47L 13/20  
15/143.1  
2013/0223919 A1 \* 8/2013 Brecht ..... F16C 11/06  
403/31

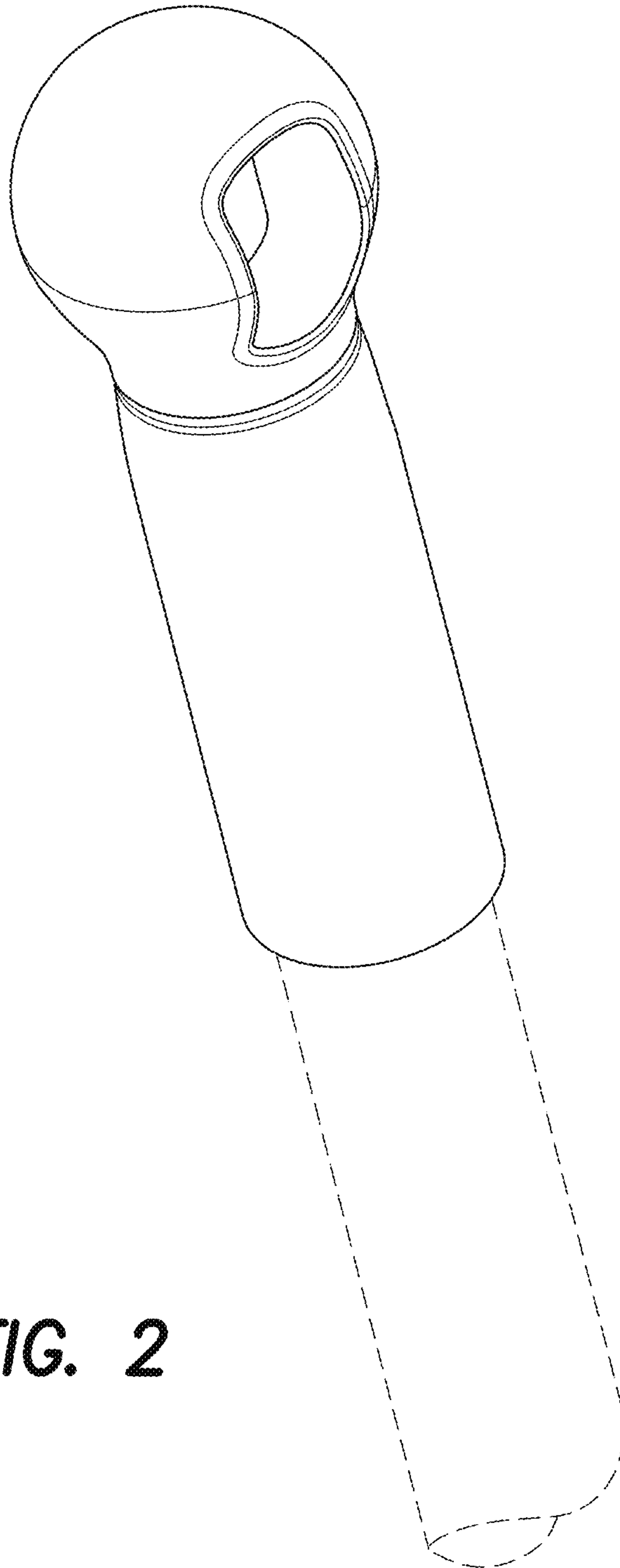
OTHER PUBLICATIONS

Body Care Long Handle Brush, review 2016, <http://www.caregiverproducts.com/body-care-long-handle-brush.html#tab-2>, [site visited Feb. 15, 2017 4:40:27 PM].\*

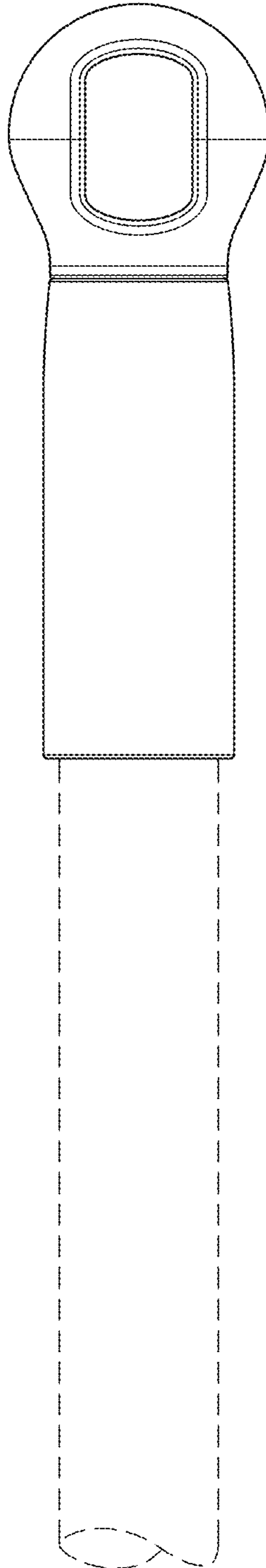
\* cited by examiner

**FIG. 1**

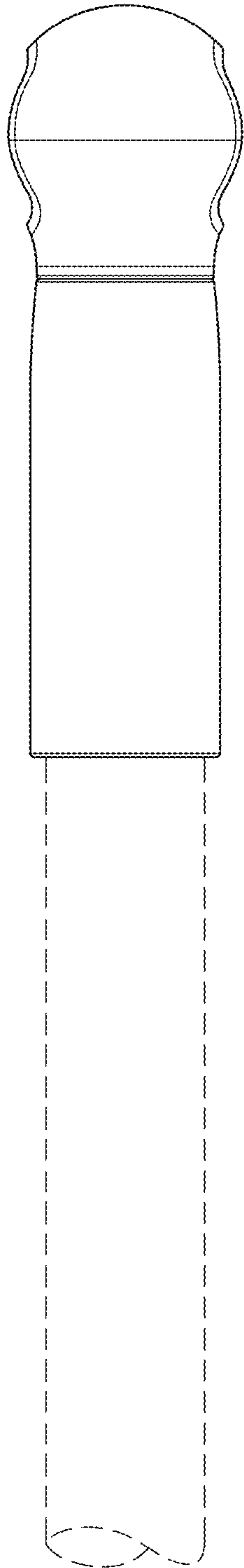




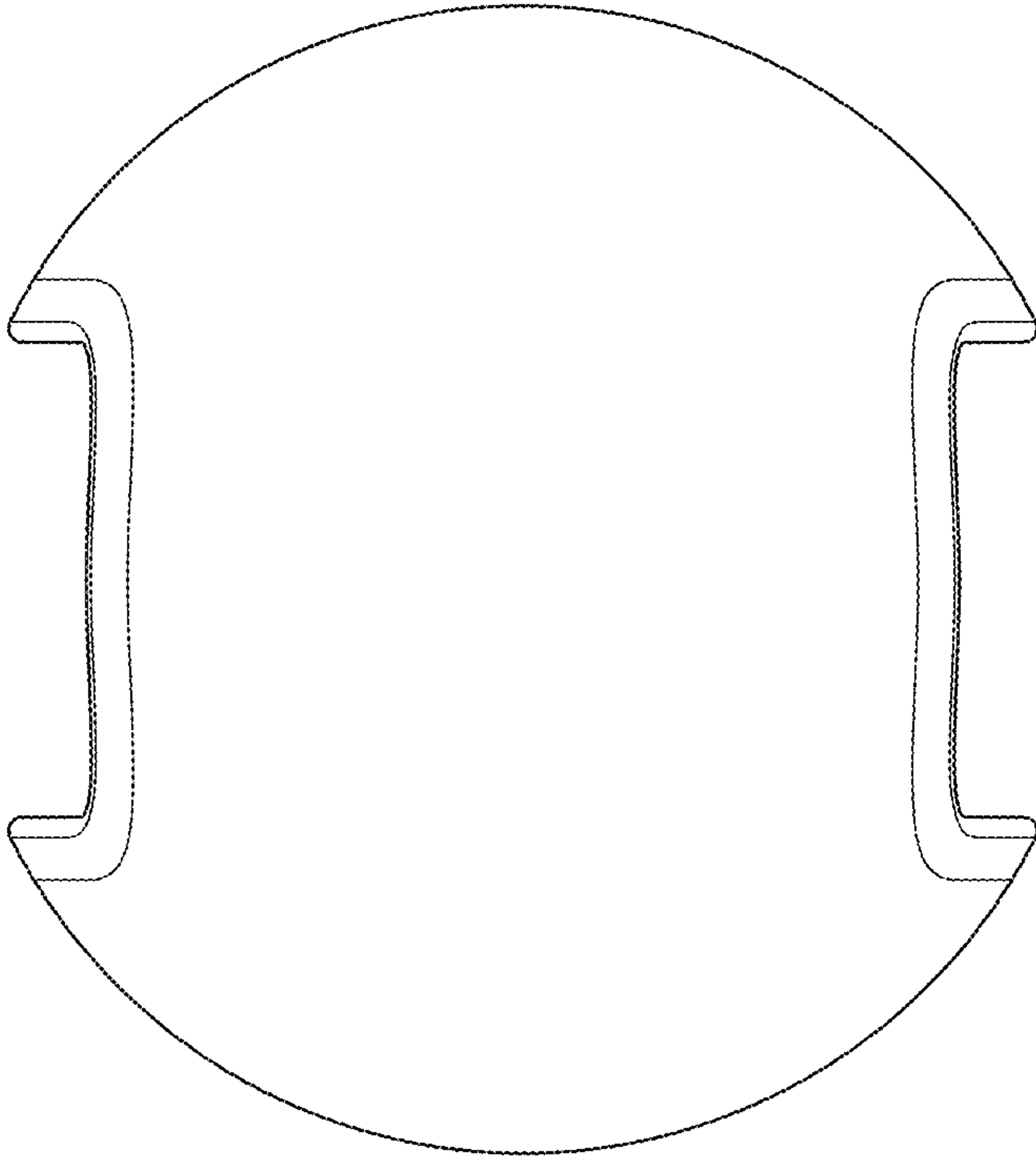
**FIG. 2**



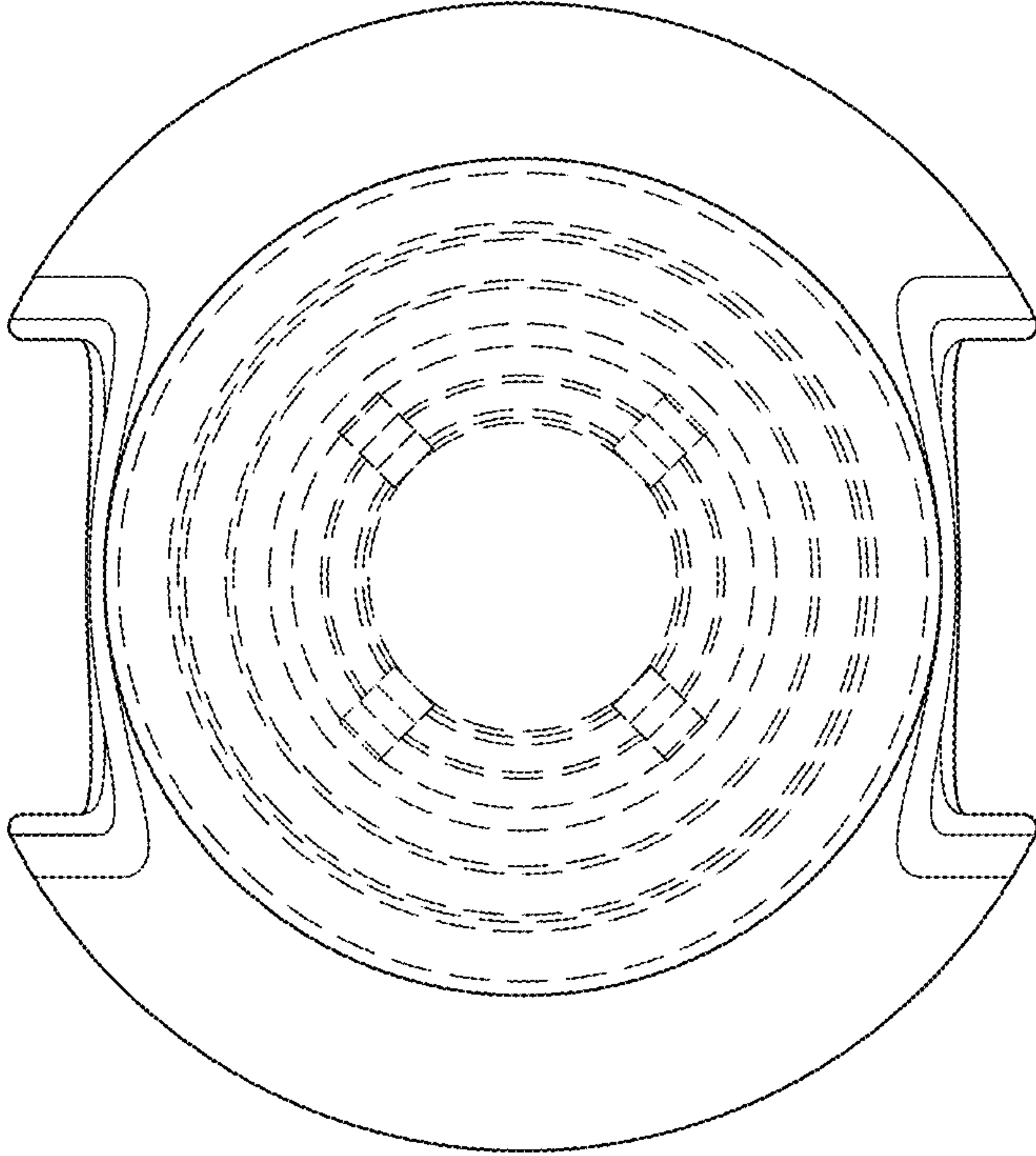
**FIG. 3**



**FIG. 4**



**FIG. 5**



**FIG. 6**