



US00D792043S

(12) **United States Design Patent** (10) **Patent No.:** **US D792,043 S**
Buckley et al. (45) **Date of Patent:** **** Jul. 11, 2017**

(54) **CLEANING TOOL**

(71) Applicant: **Unger Marketing International, LLC**,
Bridgeport, CT (US)

(72) Inventors: **James M. Buckley**, New Hartford, CT
(US); **John A. Triunfo, Jr.**, Fairfield,
CT (US); **Robert F. Smith**, Waterbury,
CT (US)

(73) Assignee: **UNGER MARKETING
INTERNATIONAL, LLC**, Bridgeport,
CT (US)

(**) Term: **15 Years**

(21) Appl. No.: **29/550,203**

(22) Filed: **Dec. 31, 2015**

(51) **LOC (10) Cl.** **04-01**

(52) **U.S. Cl.**

USPC **D32/50**

(58) **Field of Classification Search**

USPC D32/40-43, 50-52; D4/118, 199;
D8/33, 47, 90, 93

CPC . A47L 13/08; A47L 9/06; A47L 13/02; A46B
5/02; B24D 15/06; B25F 1/00; B26B
5/00; B44D 3/16; B08B 1/00; B60S 3/04

See application file for complete search history.

(56) **References Cited**

U.S. PATENT DOCUMENTS

559,023 A 4/1896 Barron
1,628,783 A 5/1927 Jenson et al.
(Continued)

FOREIGN PATENT DOCUMENTS

CN 303324217 * 8/2015
JP H09154776 A 6/1997
WO 2005023075 A1 3/2005

OTHER PUBLICATIONS

Unger ProClean Indoor Window Cleaning Kit-970300—The Home
Depot, review date Mar. 19, 2016, [http://www.homedepot.com/p/
Unger-ProClean-Indoor-Window-Cleaning-Kit-970300/
206752715](http://www.homedepot.com/p/Unger-ProClean-Indoor-Window-Cleaning-Kit-970300/206752715), site visited Feb. 16, 2017.*

(Continued)

Primary Examiner — John Windmuller

Assistant Examiner — John R Yeh

(74) *Attorney, Agent, or Firm* — Ohlandt, Greeley,
Ruggiero & Perle, L.L.P.

(57) **CLAIM**

The ornamental design for a cleaning tool, as shown and
described.

DESCRIPTION

A portion of the disclosure of this patent document contains
material which is subject to copyright and/or trademark
protection. This patent document may show and/or describe
matter which is or may become trade dress of Unger
Marketing International. The copyright and trade dress
owner has no objection to the facsimile reproduction by
anyone of the patent disclosure as it appears in the Patent
and Trademark Office patent files or records, but otherwise
reserves all copyright and trade dress rights whatsoever.

FIG. 1 is a top perspective view of a cleaning tool according
to the present disclosure;

FIG. 2 is a bottom perspective view of the cleaning tool of
FIG. 1;

FIG. 3 is a front view of the cleaning tool of FIG. 1, the rear
view being identical thereto;

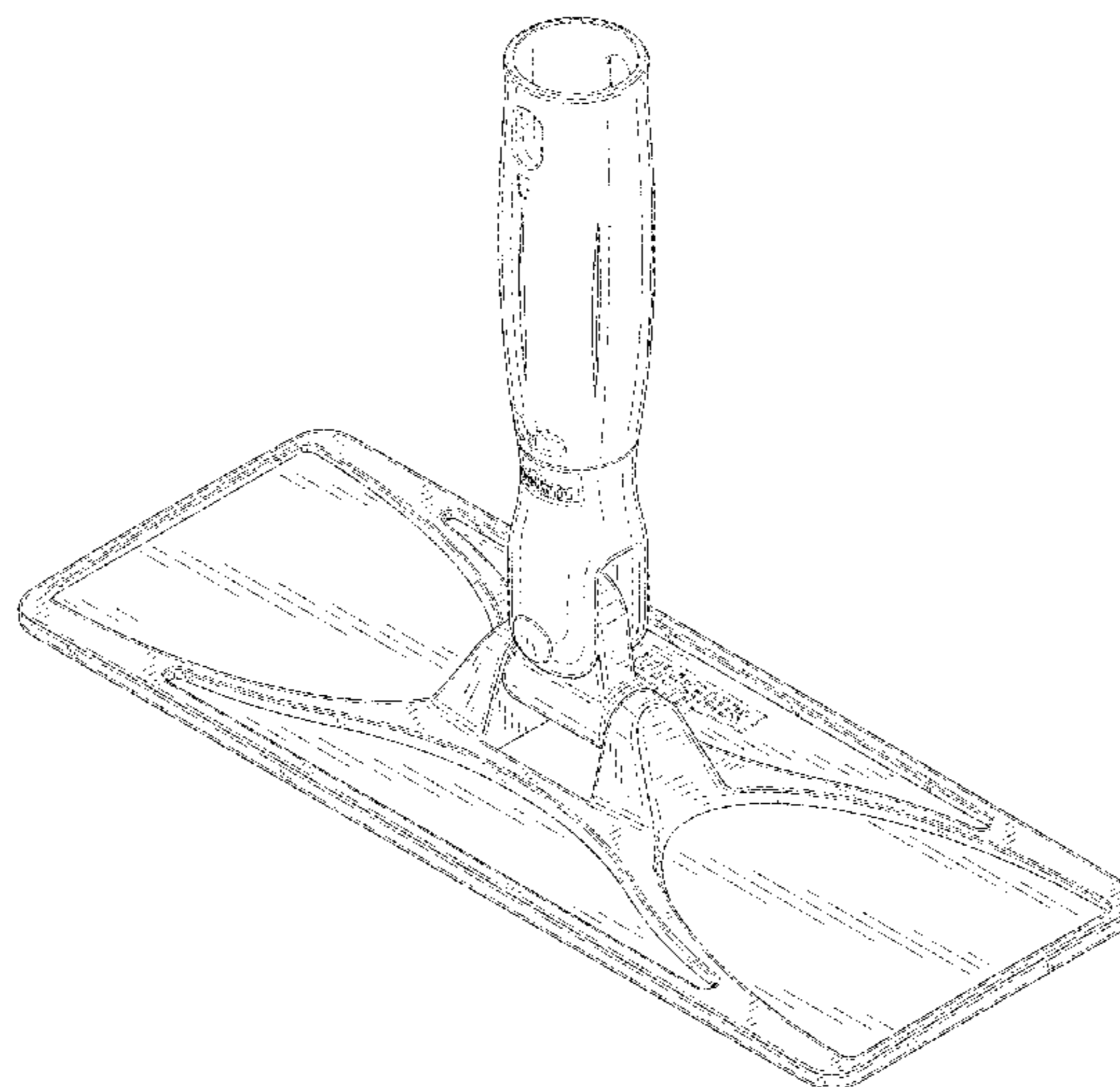
FIG. 4 is a side view of the cleaning tool of FIG. 1, the
opposite side being identical thereto;

FIG. 5 is a top view of the cleaning tool of FIG. 1; and,

FIG. 6 is a bottom view of the cleaning tool of FIG. 1.

The broken lines in the drawings illustrating environmental
structure or boundaries that form no part of the claimed
design.

1 Claim, 6 Drawing Sheets



(56)

References Cited

U.S. PATENT DOCUMENTS

2,112,462 A 3/1938 Hawrylasz
 2,123,638 A 7/1938 Steccone
 2,261,475 A 11/1941 Kautenberg
 2,328,287 A 8/1943 Martin
 2,814,822 A 12/1957 Page
 2,905,960 A 9/1959 Ward
 3,792,505 A * 2/1974 Saltzstein A47L 13/256
 15/147.2
 3,892,005 A 7/1975 Berns
 4,115,892 A 9/1978 Stickler
 4,574,417 A 3/1986 Magnasco
 D298,072 S 10/1988 Stirling
 4,777,694 A 10/1988 Young
 4,847,938 A 7/1989 Unger
 4,922,569 A 5/1990 Brinker et al.
 5,099,539 A 3/1992 Forester
 5,175,902 A 1/1993 Samuelsson
 5,471,698 A 12/1995 Francis et al.
 D366,740 S * 1/1996 Clausen D32/50
 D386,063 S 11/1997 Badiali
 5,930,863 A 8/1999 Samuelsson
 6,018,836 A 2/2000 Williams
 D423,157 S * 4/2000 Hodges D32/40
 6,334,254 B1 1/2002 Wonderley
 D476,123 S * 6/2003 Debreczeni D32/50
 6,742,951 B2 6/2004 Schultz et al.
 6,931,690 B2 8/2005 Cox
 6,990,705 B1 1/2006 Schouten et al.
 D515,758 S * 2/2006 Turchi D32/42
 7,000,282 B2 2/2006 Cox et al.
 D525,511 S 7/2006 Hung
 D529,676 S * 10/2006 Hay D32/42
 D533,356 S * 12/2006 Van LANDINGHAM, Jr. D4/199
 7,155,770 B2 1/2007 Anderson et al.
 D539,496 S * 3/2007 Sickler D32/41
 D549,912 S * 8/2007 Van LANDINGHAM D32/40
 D551,530 S 9/2007 Hirsch
 D554,815 S * 11/2007 Harper D32/40
 D564,161 S 3/2008 Talesfore et al.
 7,350,998 B2 4/2008 Walsh, III

7,415,769 B2 8/2008 Hughes
 D585,610 S * 1/2009 Libman D32/40
 D585,612 S * 1/2009 Soller D32/40
 D588,767 S 3/2009 Libman et al.
 D588,770 S * 3/2009 Koenig D32/50
 D599,517 S * 9/2009 Vrdoljak A47L 13/225
 D32/40
 D618,981 S 7/2010 Gringer
 7,748,074 B2 7/2010 Guizzi
 D627,532 S 11/2010 Yang et al.
 D632,857 S 2/2011 Sgroi et al.
 D632,858 S 2/2011 Sgroi et al.
 D634,496 S 3/2011 Porco
 7,913,349 B2 3/2011 Byrnes
 D649,314 S 11/2011 Quinlan et al.
 D652,283 S * 1/2012 Arvinte D8/90
 D654,238 S * 2/2012 Lee D32/50
 D658,344 S * 4/2012 Babic D32/50
 8,171,646 B2 5/2012 Chiu
 D661,442 S * 6/2012 Kandasamy D32/40
 8,214,964 B1 7/2012 Coleman
 D668,827 S * 10/2012 Best D32/50
 8,356,415 B2 1/2013 Lin
 8,438,688 B2 5/2013 Weinberger et al.
 8,495,784 B2 7/2013 Steinhardt et al.
 8,544,146 B2 10/2013 Curien
 D719,709 S * 12/2014 Gidwell D32/40
 D724,349 S * 3/2015 Jalbert D6/582
 D729,476 S * 5/2015 Haarbuerger D32/35
 D756,581 S * 5/2016 Libman D32/50
 9,554,686 B2 * 1/2017 Davidshofer A47L 13/225
 D779,144 S * 2/2017 Layevsky D32/50
 2004/0142647 A1 7/2004 Goulet et al.
 2006/0260084 A1 11/2006 Guizzi
 2011/0167647 A1 7/2011 Gringer et al.
 2013/0239345 A1 9/2013 Giustetto

OTHER PUBLICATIONS

Window Cleaning Kit—Klassy Basic Supply Kit, review date Mar. 15, 2016, <https://www.window-cleaning-supply.com/window-cleaning-kit-klassy-basic-supply-kit/>, site visited Feb. 16, 2017.*

* cited by examiner

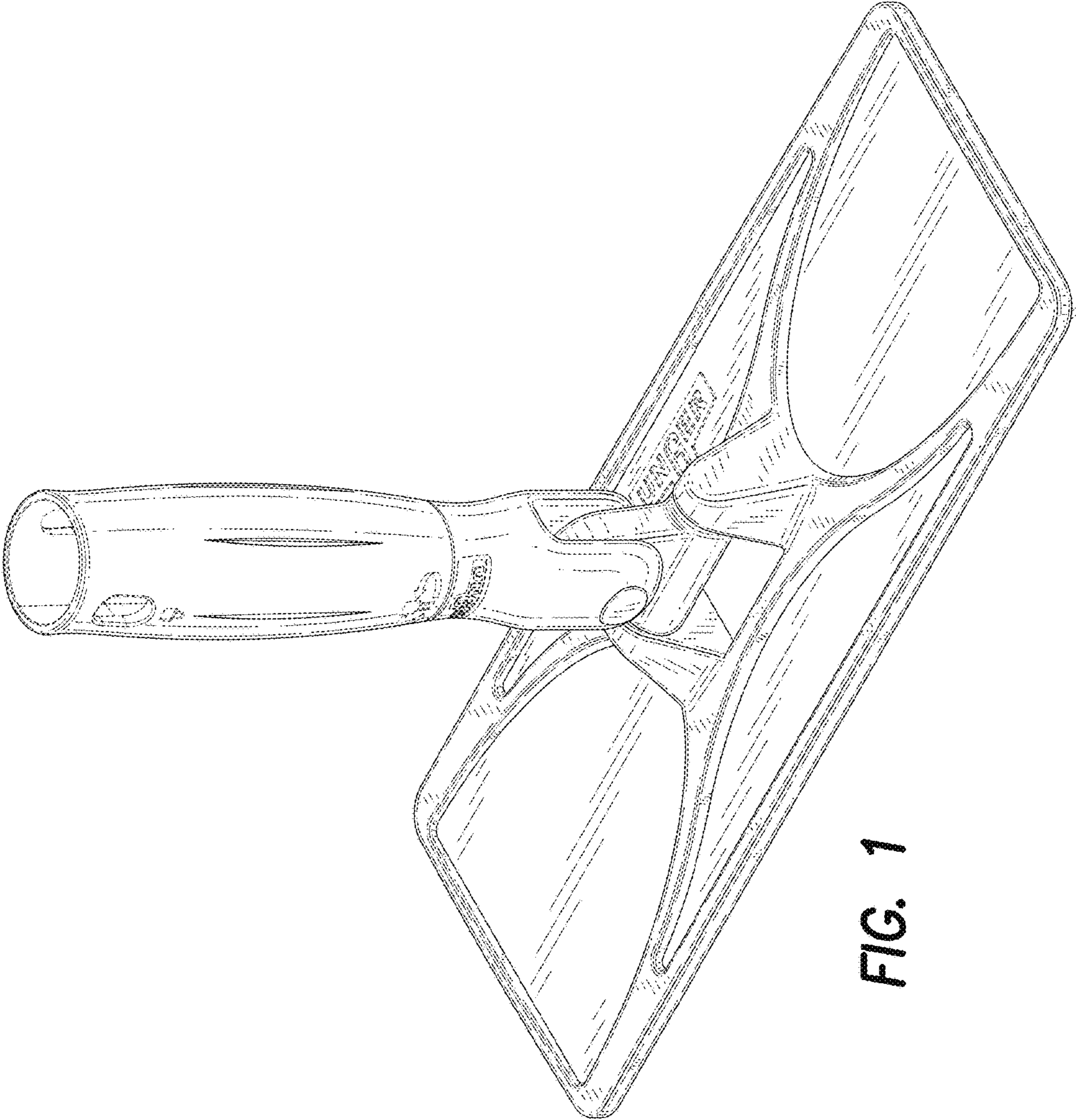


FIG. 1

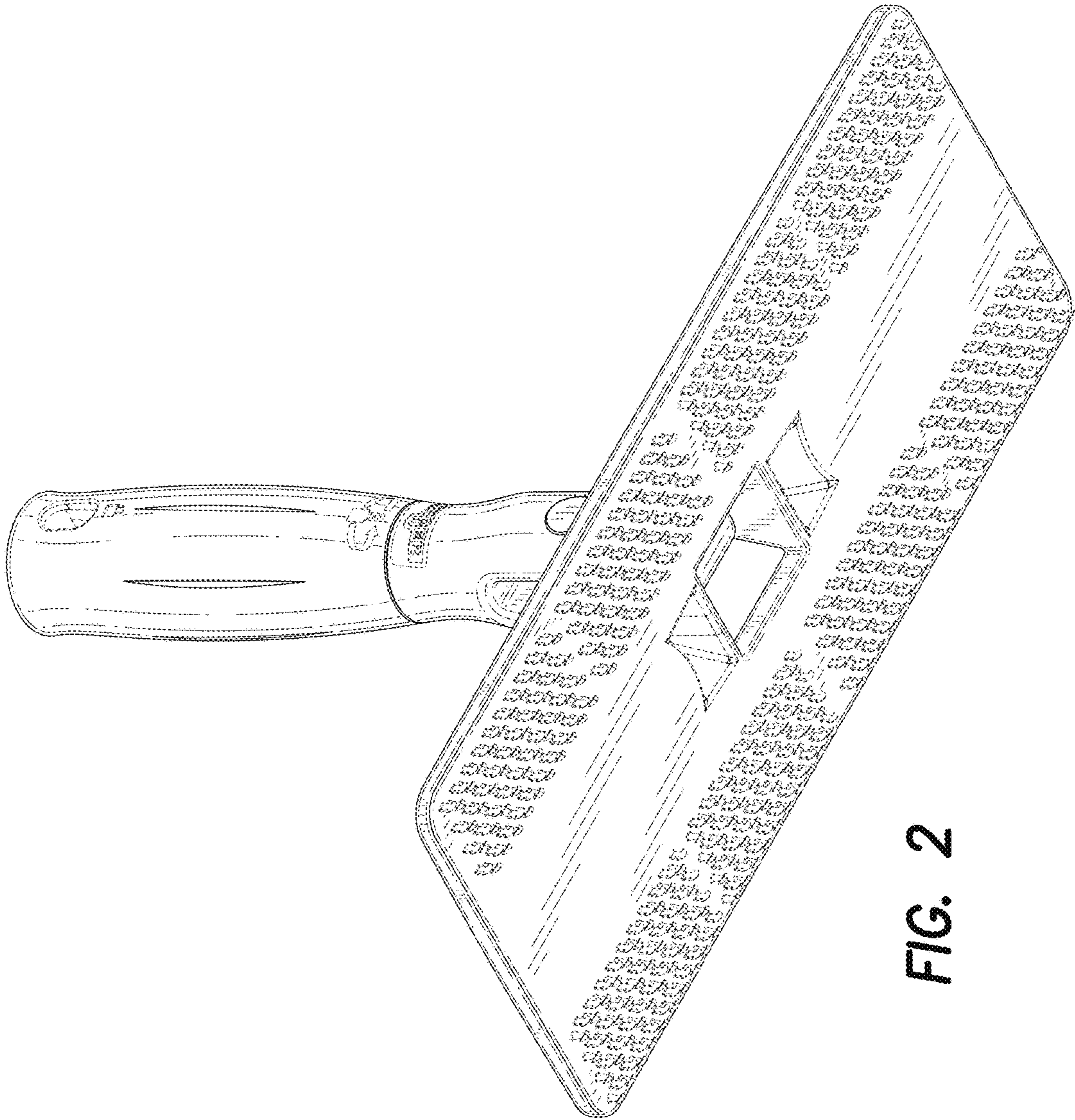


FIG. 2

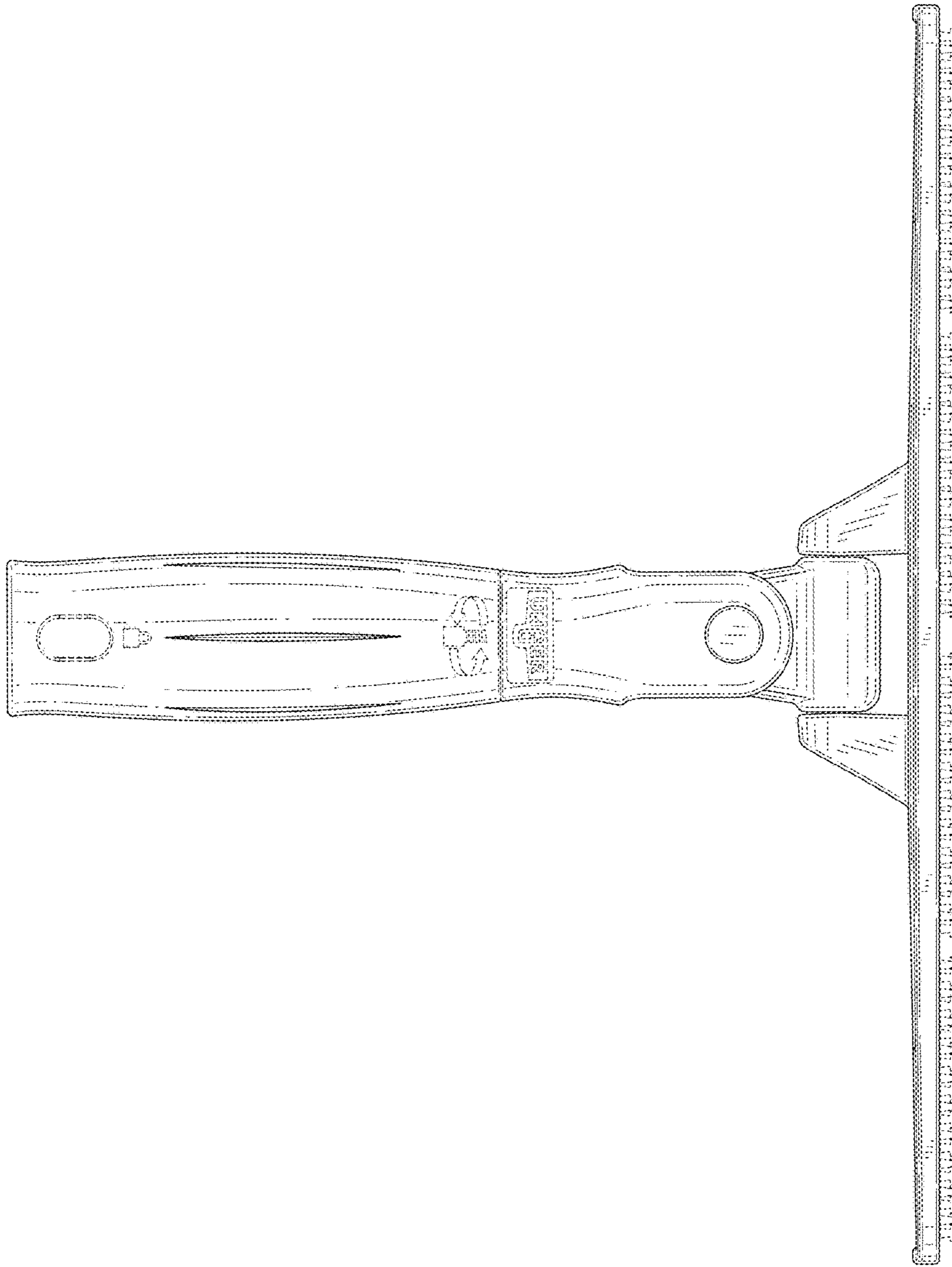


FIG. 3

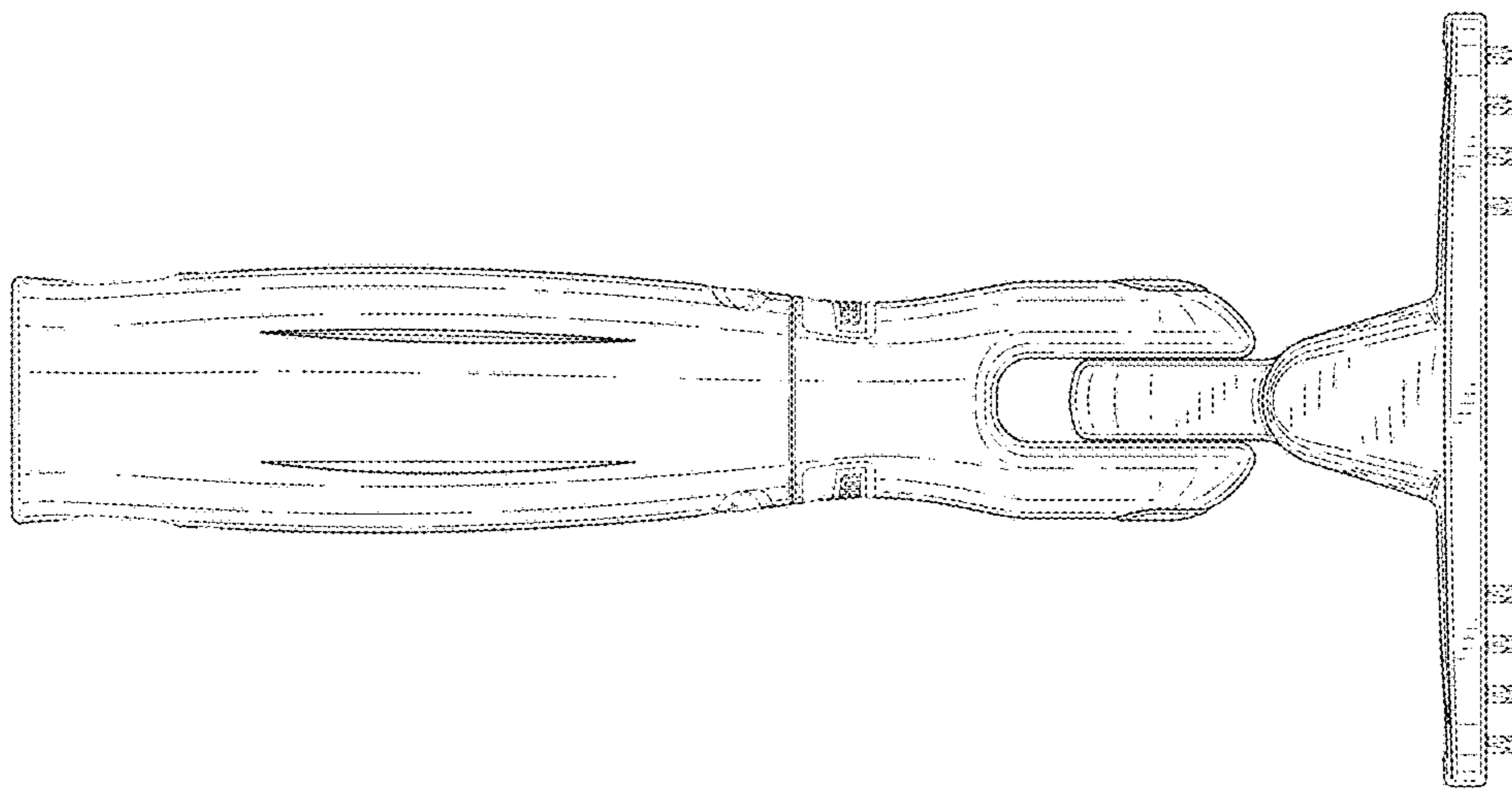


FIG. 4

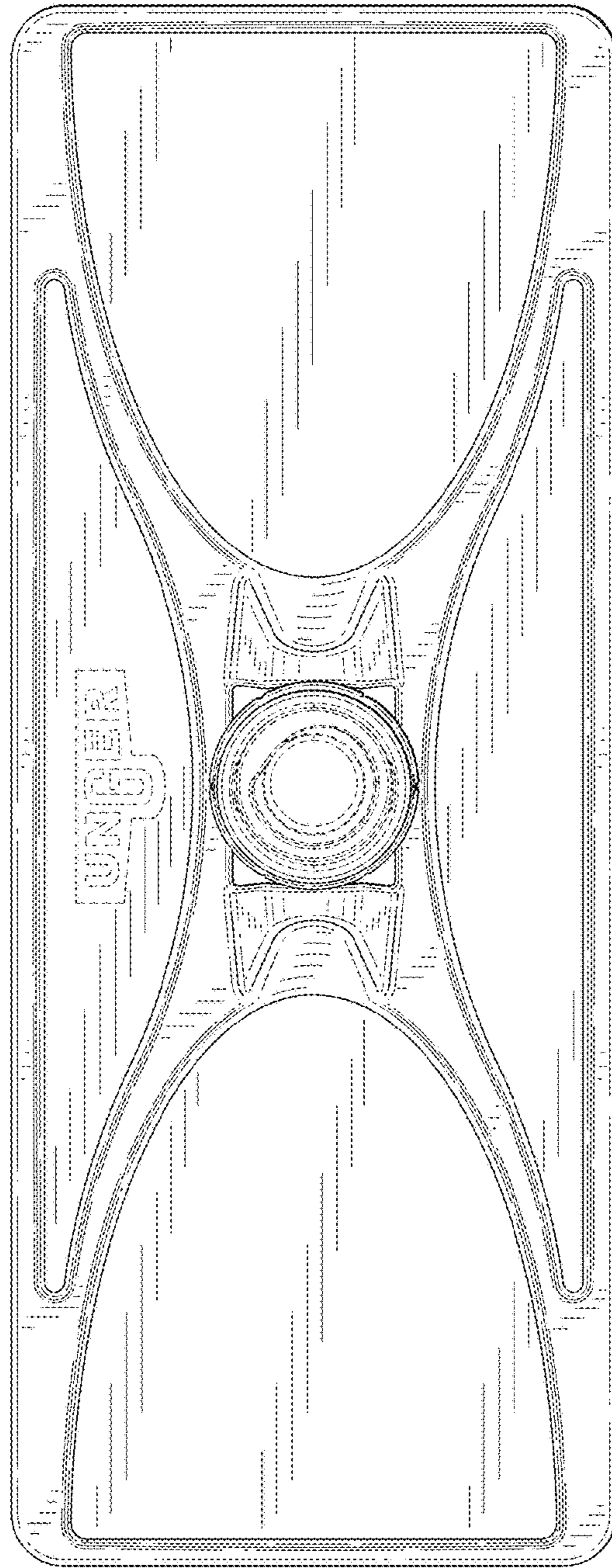


FIG. 5

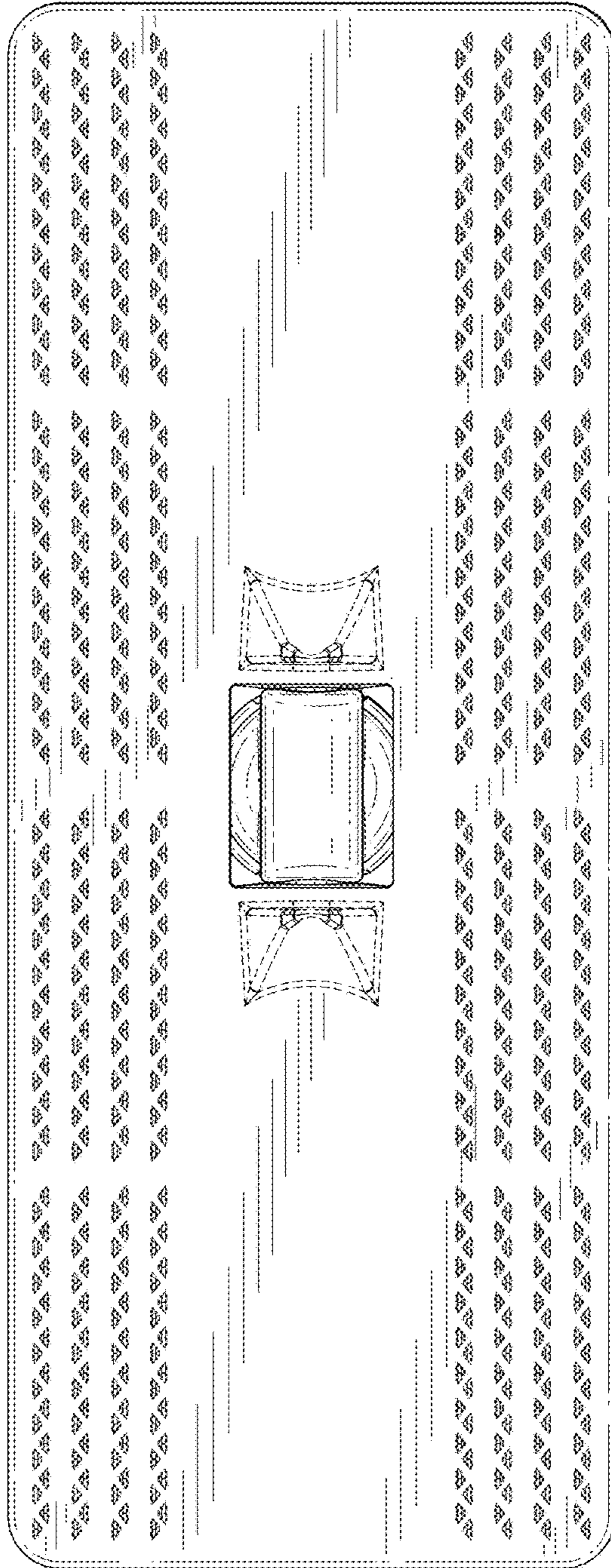


FIG. 6