



US00D792042S

(12) **United States Design Patent**
Parsons et al.

(10) **Patent No.:** **US D792,042 S**
(45) **Date of Patent:** **** Jul. 11, 2017**

- (54) **CLEANING PAD WITH STRIPE**
- (71) Applicant: **The Procter & Gamble Company**,
Cincinnati, OH (US)
- (72) Inventors: **Nicole Jorja Parsons**, Sycamore
Township, OH (US); **Jeremy Michael
Carter**, Union, KY (US); **Silvia
Tavera-Leal**, Wyoming, OH (US)
- (73) Assignee: **The Procter & Gamble Company**,
Cincinnati, OH (US)
- (**) Term: **15 Years**
- (21) Appl. No.: **29/541,309**
- (22) Filed: **Oct. 2, 2015**
- (51) **LOC (10) Cl.** **04-01**
- (52) **U.S. Cl.**
USPC **D32/40**
- (58) **Field of Classification Search**
USPC D32/35, 40, 42; D4/137; D28/63
CPC A47L 13/022; A47L 13/252; A47L 17/08;
A47L 25/08; A47L 13/16; A47L 13/00;
A61F 13/2008; D04D 7/04
See application file for complete search history.

- (56) **References Cited**
U.S. PATENT DOCUMENTS

6,687,941 B2 * 2/2004 Billat A47L 13/16
15/104.94
D551,408 S 9/2007 Pung et al.
(Continued)

OTHER PUBLICATIONS

Two commercially available products with stripes, sold before the filed of the invention Available, Oct. 2, 2015.

Primary Examiner — Michael A Pratt
Assistant Examiner — Michelle E Wilson

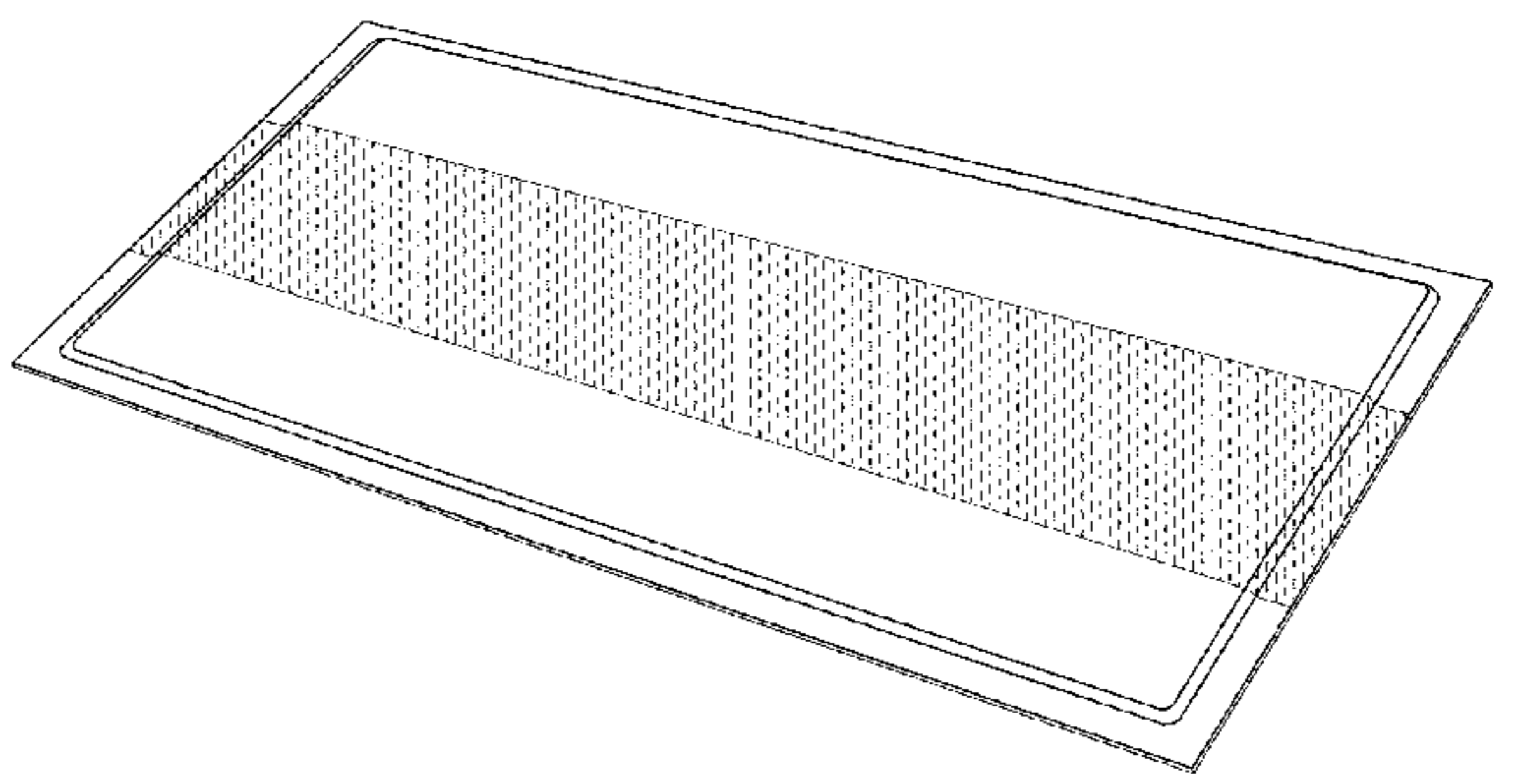
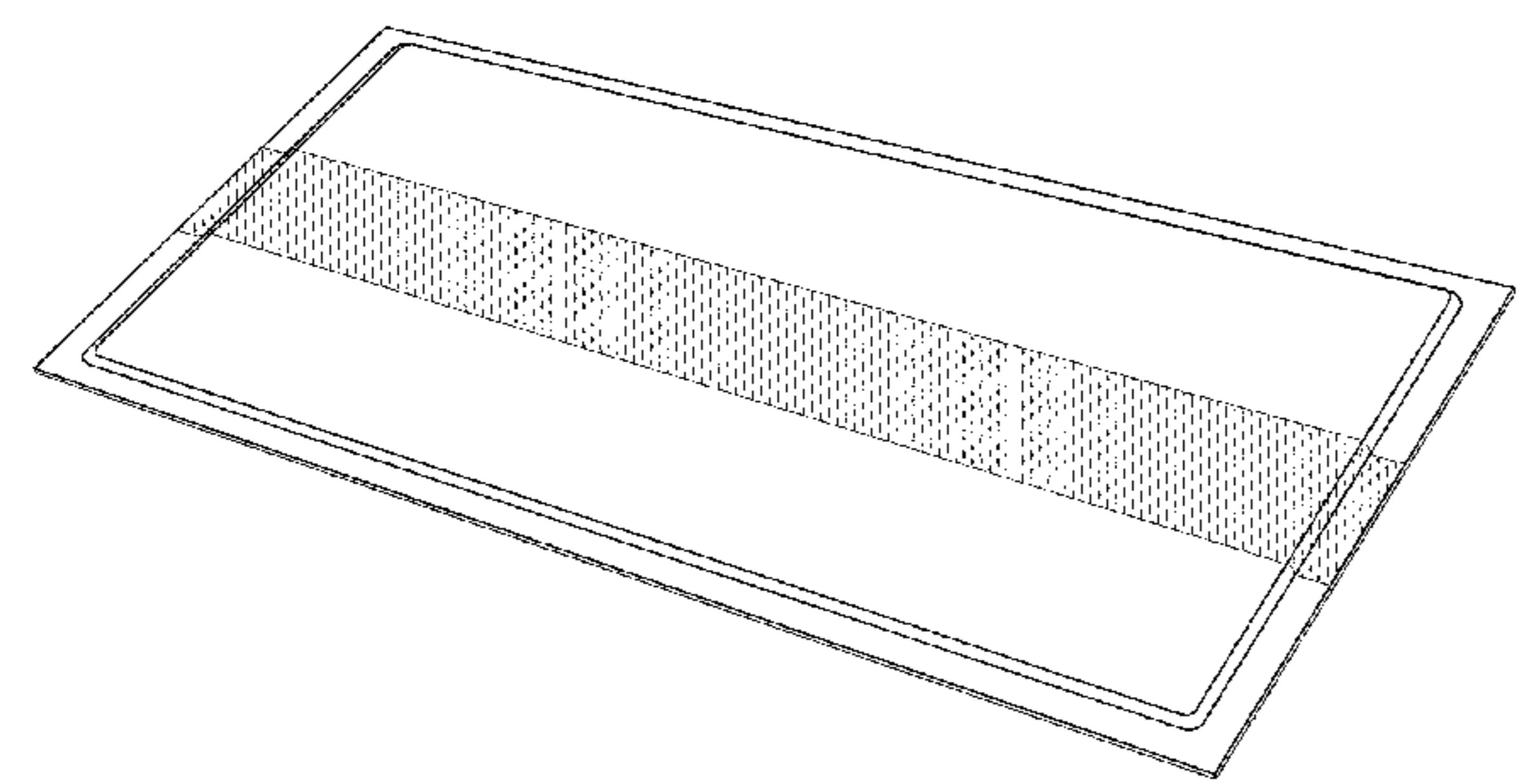
(74) *Attorney, Agent, or Firm* — Larry L. Huston; Steven W. Miller

(57) **CLAIM**
The ornamental design for a cleaning pad with stripe, as shown and described.

DESCRIPTION

FIG. 1 is a perspective view of an embodiment of a cleaning pad with stripe;
FIG. 2 is a top view of the cleaning pad with stripe of FIG. 1;
FIG. 3 is a bottom view of the cleaning pad with stripe of FIG. 1;
FIG. 4 is a side view of the cleaning pad with stripe of FIG. 1;
FIG. 5 is a side view of the cleaning pad with stripe of FIG. 1, opposite the side view shown in FIG. 4;
FIG. 6 is an end view of the cleaning pad with stripe of FIG. 1;
FIG. 7 is an end view of the cleaning pad with stripe of FIG. 1, opposite the end view shown in FIG. 6;
FIG. 8 is a perspective view of another embodiment of a cleaning pad with stripe;
FIG. 9 is a top view of the cleaning pad with stripe of FIG. 8;
FIG. 10 is a bottom view of the cleaning pad with stripe of FIG. 8;
FIG. 11 is a side view of the cleaning pad with stripe of FIG. 8;
FIG. 12 is a side view of the cleaning pad with stripe of FIG. 8, opposite the side view shown in FIG. 11;
FIG. 13 an end view of the cleaning pad with stripe of FIG. 8; and,
FIG. 14 is an end view of the cleaning pad with stripe of FIG. 8 opposite the end view shown in FIG. 13.
The stippled areas in FIGS. 1, 2, 6, 7, 8, 9, 13 and 14 represent a purple color.
The broken lines shown in the drawings are for illustrative purposes only and form no part of the claimed design.

1 Claim, 4 Drawing Sheets



(56)

References Cited

U.S. PATENT DOCUMENTS

D551,409 S	9/2007	Pung et al.	
D636,136 S *	4/2011	Hoyle	D32/40
D649,312 S *	11/2011	Adams	D32/40
D657,513 S *	4/2012	Wildeman	D32/40
D661,854 S *	6/2012	Adams	D32/40
D673,745 S *	1/2013	Pung	D32/40
D692,631 S *	10/2013	Pung	D32/40
D720,904 S *	1/2015	Weeks	D32/40
D739,106 S *	9/2015	Hoying	D32/40
D739,667 S *	9/2015	Jalbert	D6/582
D740,568 S *	10/2015	Shafer	D32/45
D765,329 S *	8/2016	Hoying	D32/40
D779,756 S *	2/2017	Spitaletta	D32/35

* cited by examiner

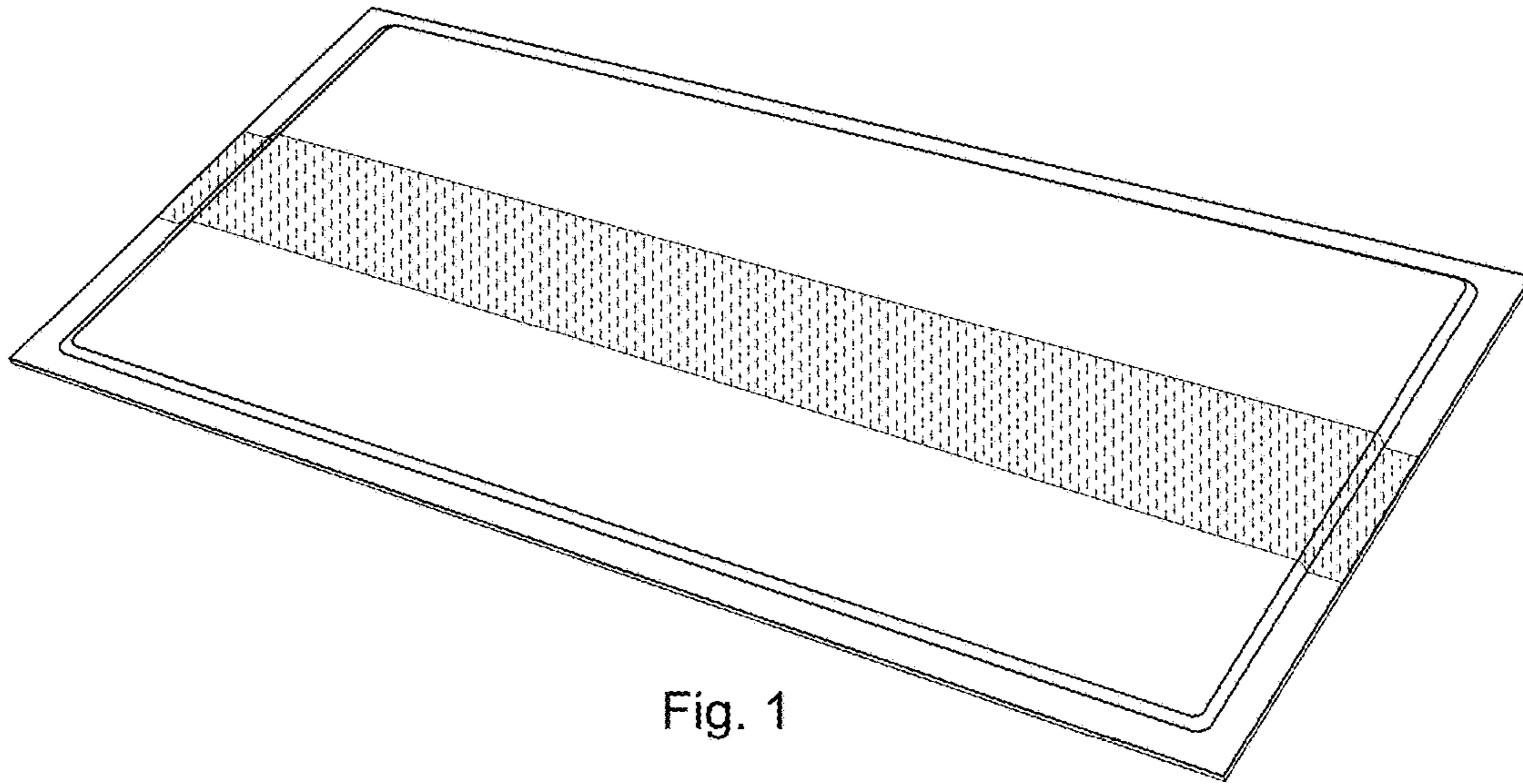


Fig. 1

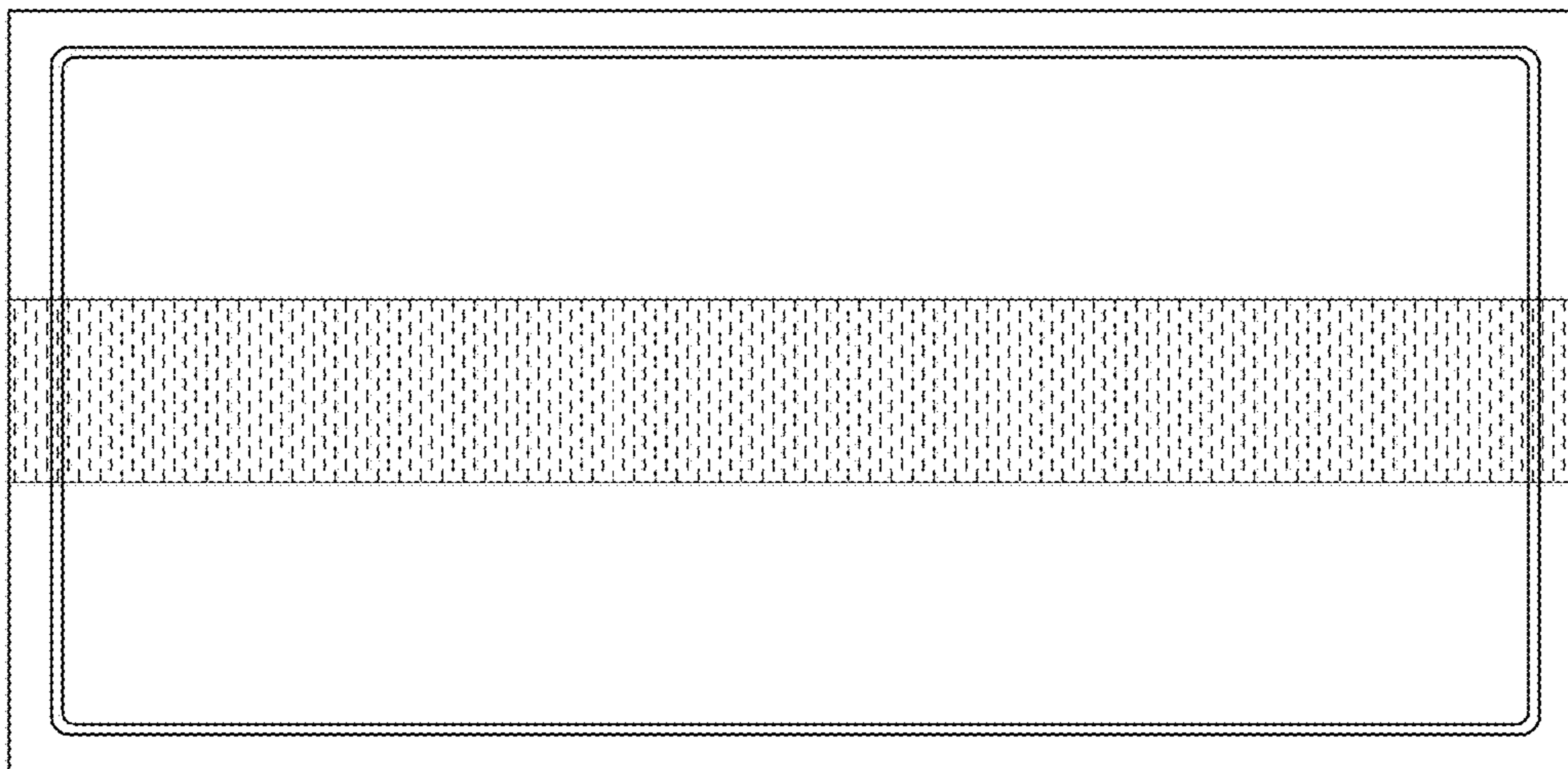


Fig. 2

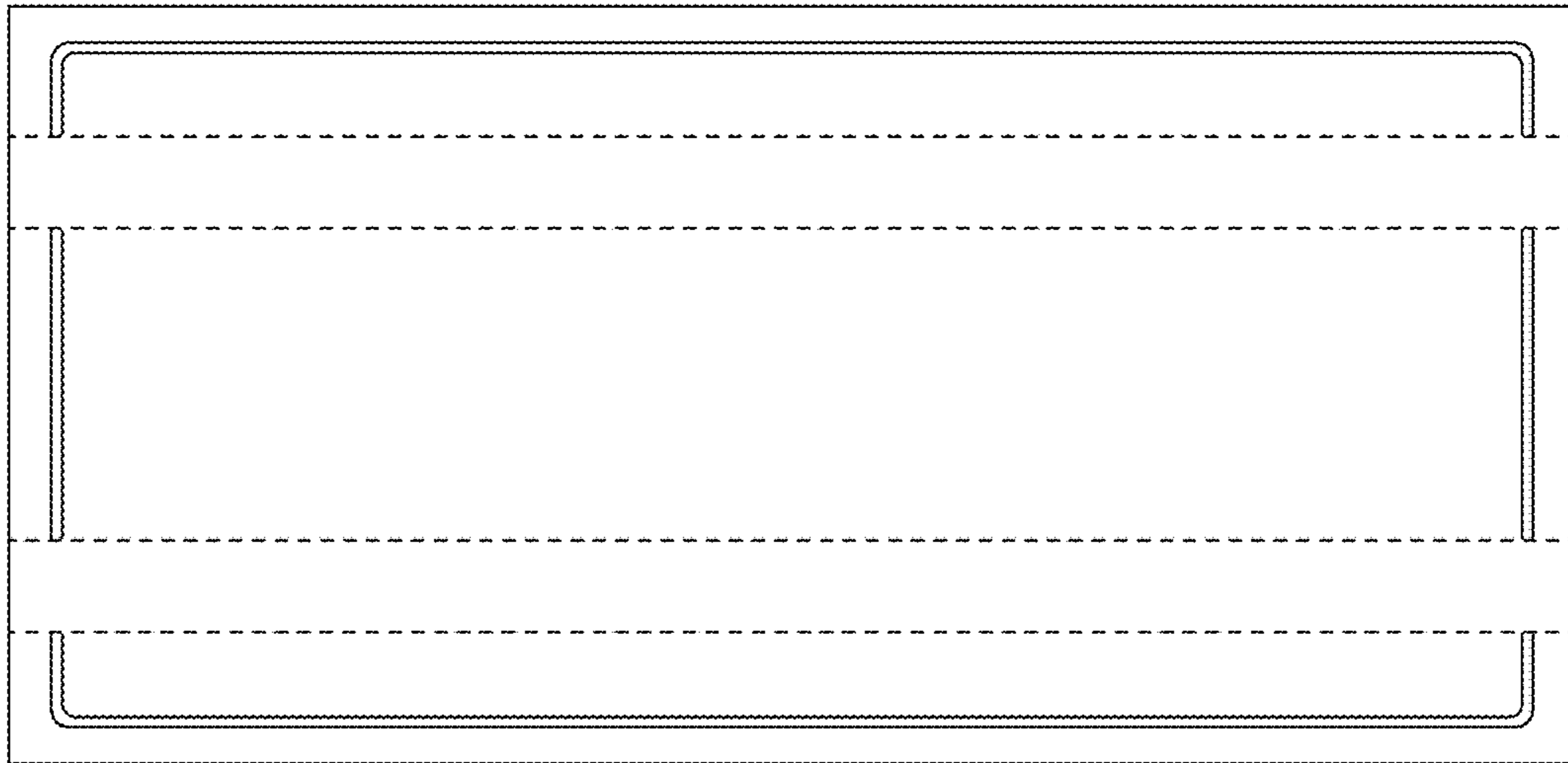


Fig. 3

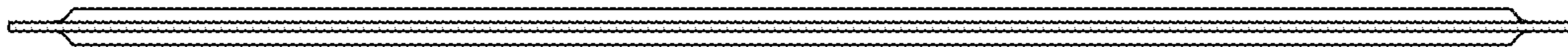


Fig. 4

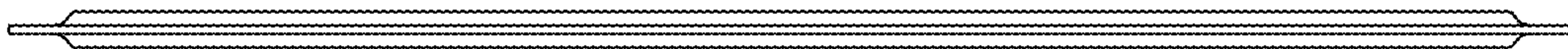


Fig. 5

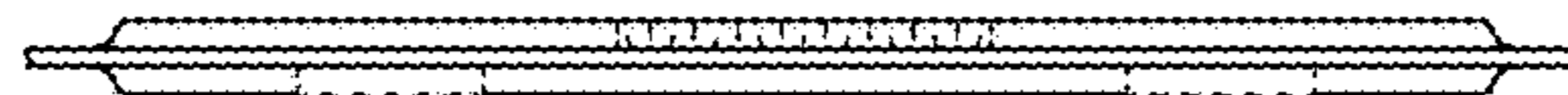


Fig. 6

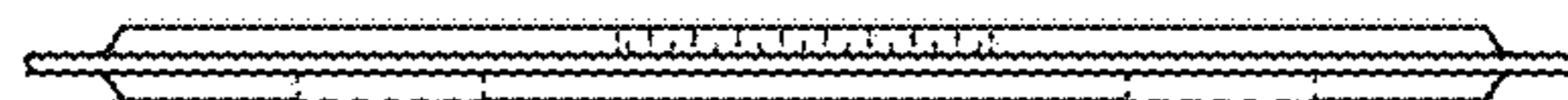


Fig. 7

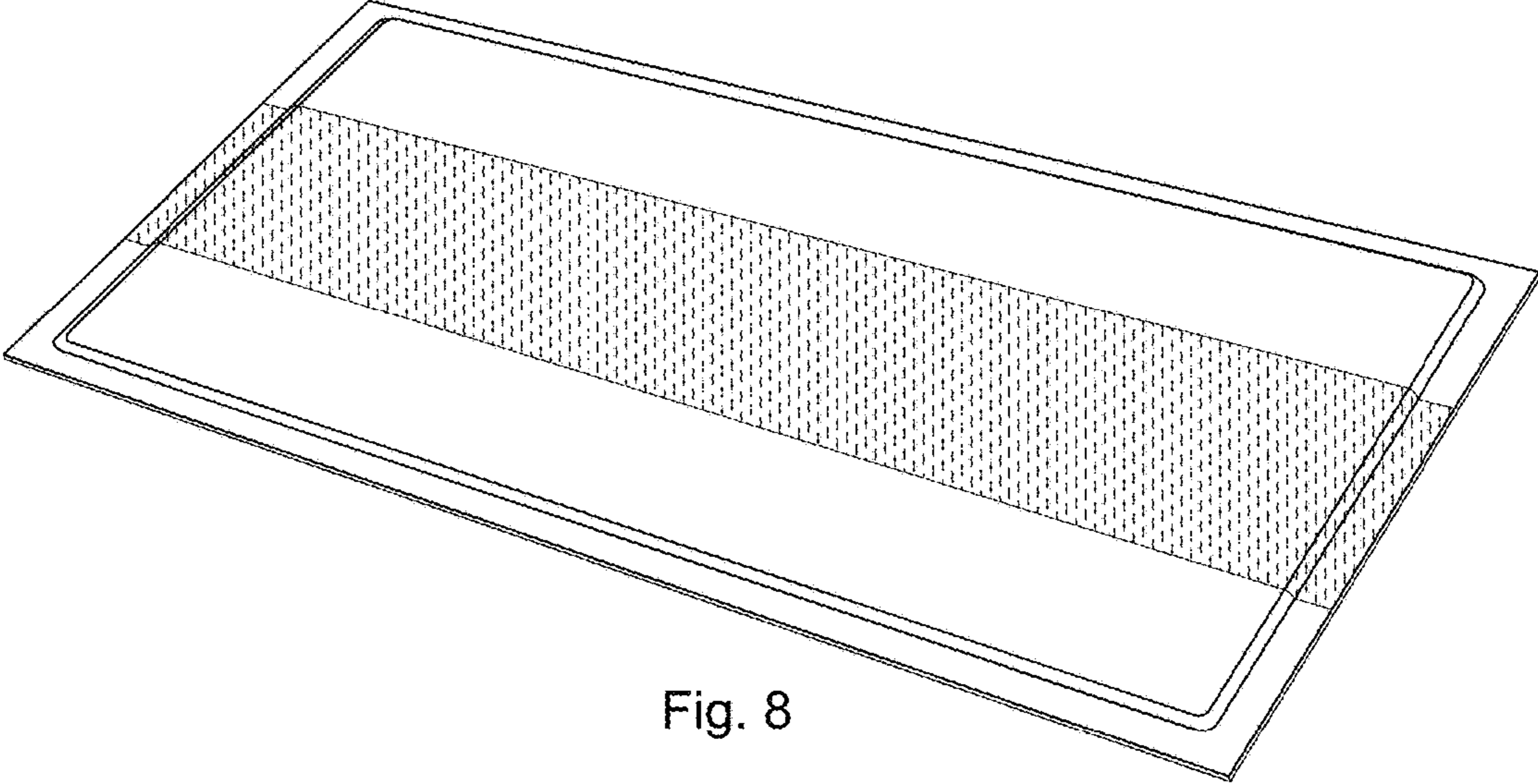


Fig. 8

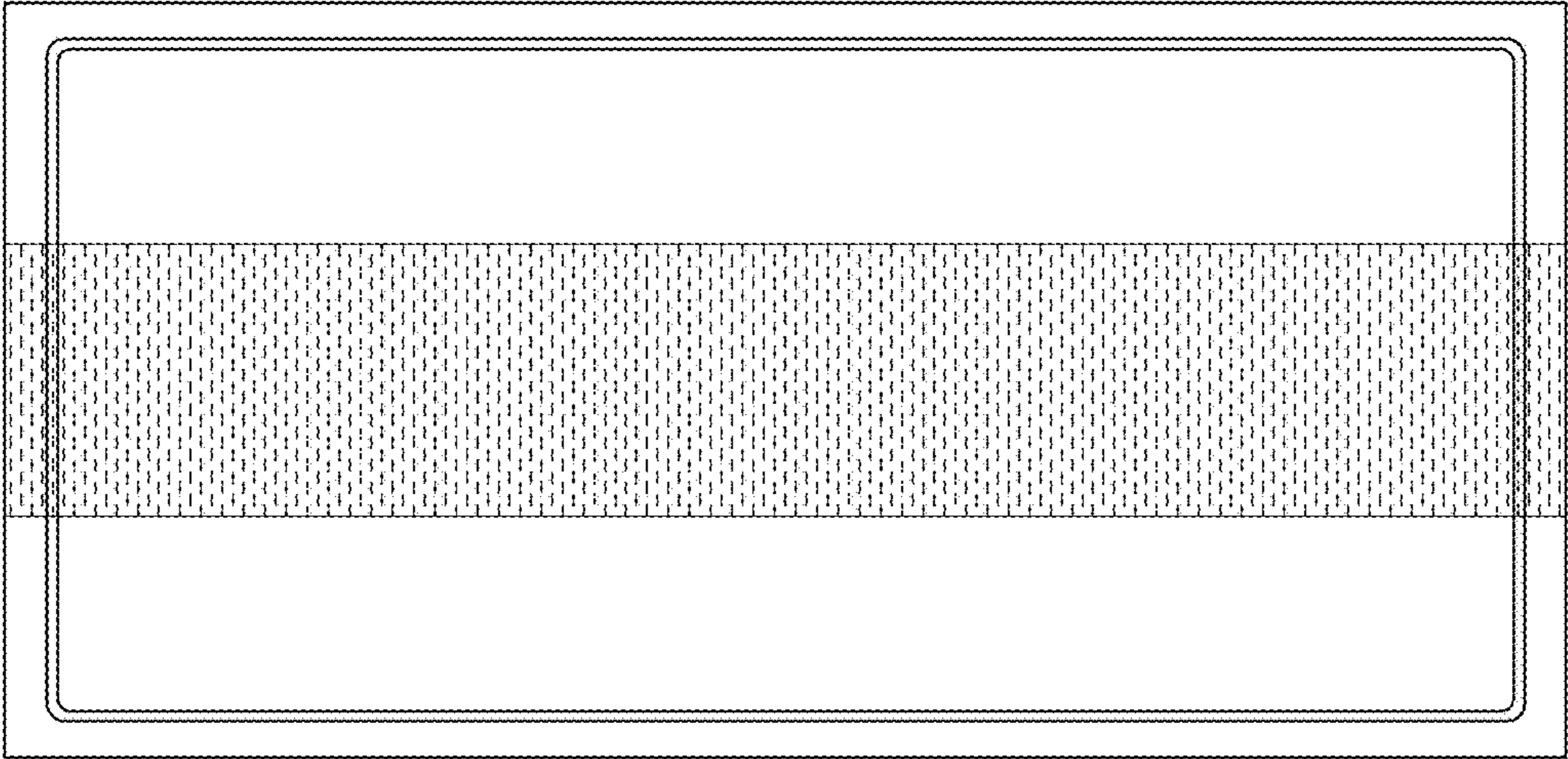


Fig. 9

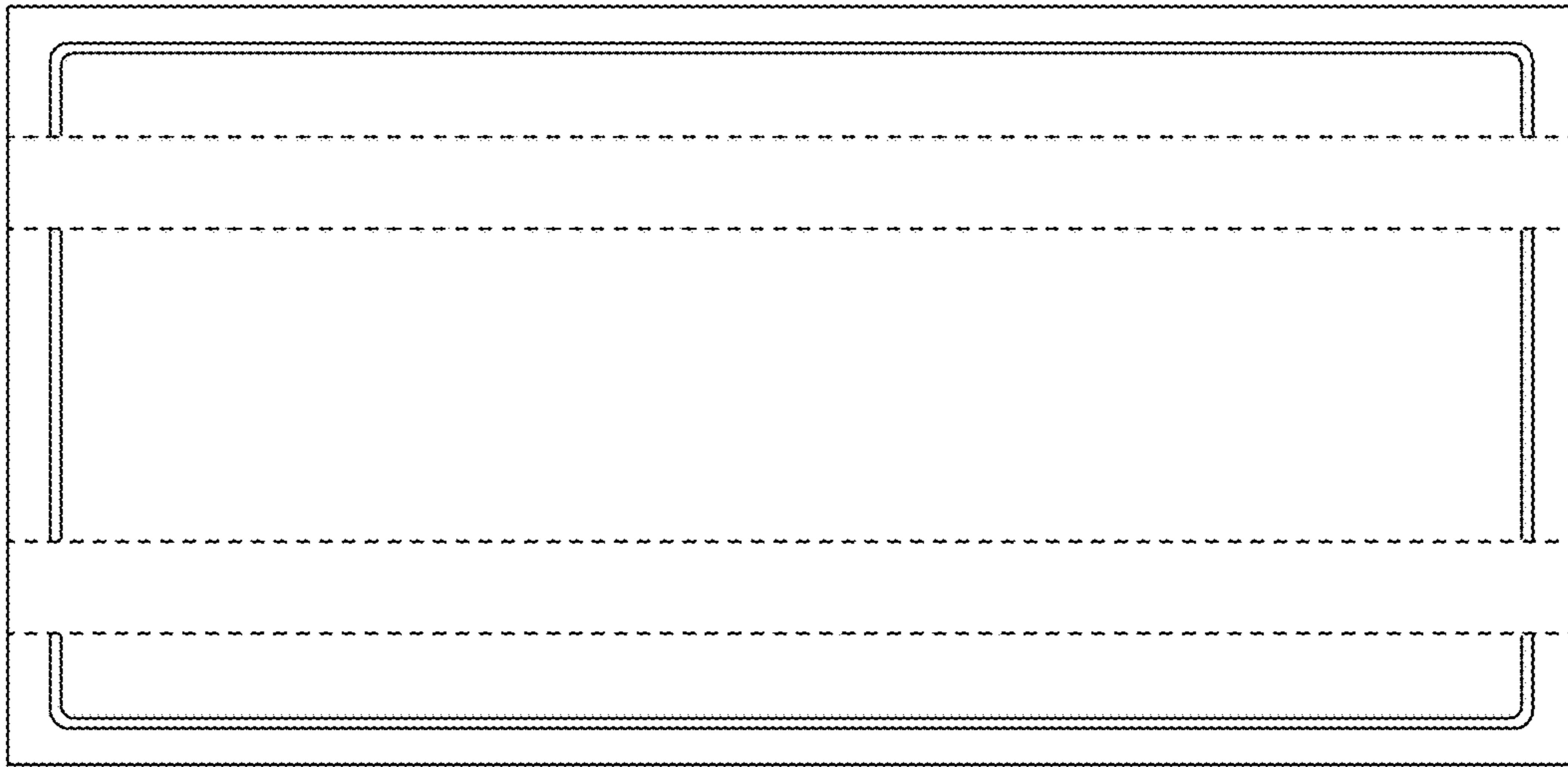


Fig. 10

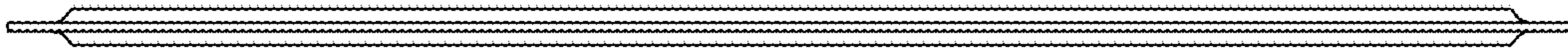


Fig. 11

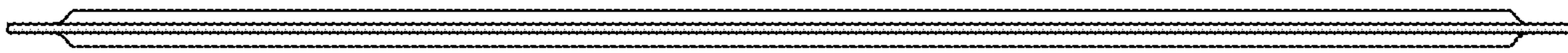


Fig. 12

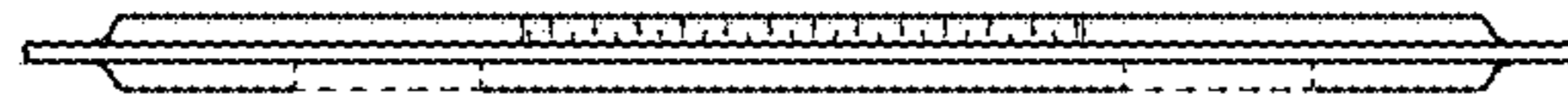


Fig. 13

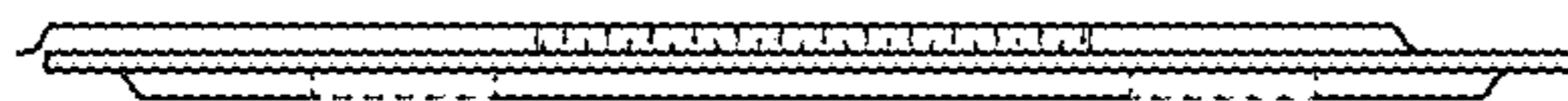


Fig. 14