



US00D792040S

(12) **United States Design Patent**
Meyer et al.

(10) **Patent No.:** **US D792,040 S**
(45) **Date of Patent:** **** Jul. 11, 2017**

- (54) **ELECTRIC VACUUM CLEANER**
- (71) Applicant: **Alfred Kaercher GmbH & Co. KG**,
Winnenden (DE)
- (72) Inventors: **Michael Meyer**, Schwaikheim (DE);
Matthias Helfert, Winnenden (DE)
- (73) Assignee: **Alfred Kaercher GmbH & Co. KG**,
Winnenden (DE)
- (**) Term: **15 Years**

- D553,814 S 10/2007 Parr et al.
- D562,510 S 2/2008 Hahn
- D596,360 S 7/2009 Dyson et al.
- D610,318 S 2/2010 Shin
- D635,728 S * 4/2011 Fjellman D32/22
- D652,589 S 1/2012 Lee
- D670,878 S 11/2012 Lee
- D695,980 S 12/2013 Thorne
- D728,878 S 5/2015 Johnson et al.
- D730,001 S 5/2015 Yun et al.
- D731,136 S 6/2015 Yun et al.
- D731,724 S 6/2015 Cheon et al.
- D735,426 S 7/2015 Yun et al.
- D738,584 S * 9/2015 Niedzwecki D32/18

(Continued)

(21) Appl. No.: **29/535,939**

(22) Filed: **Aug. 12, 2015**

(30) **Foreign Application Priority Data**

Feb. 23, 2015 (WO) 874686301

(51) **LOC (10) Cl.** **15-05**

(52) **U.S. Cl.**
USPC **D32/22**

(58) **Field of Classification Search**
USPC D32/17-18, 22, 31, 34; D8/374, 323,
D8/325

CPC A47L 5/24; A47L 5/28; A47L 5/34; A47L
7/0038; A47L 9/325; A47L 9/02
See application file for complete search history.

(56) **References Cited**

U.S. PATENT DOCUMENTS

- D348,548 S * 7/1994 Pino D32/18
- D405,929 S * 2/1999 Sovis D32/22
- D426,356 S * 6/2000 Tsuruha D32/22
- D507,387 S * 7/2005 Jacobs D32/22
- D529,248 S 9/2006 McCulloch
- D529,673 S 10/2006 Dyson et al.
- D529,674 S 10/2006 Dyson et al.
- D532,169 S 11/2006 Dyson et al.
- D533,699 S 12/2006 Dyson et al.

OTHER PUBLICATIONS

Extract for catalog of Alfred Kaercher GmbH & Co. KG, "Pro-
gramme 2012 Kaercher Professional", cover, pp. 164, 165 and last
page (Nov. 2011).

(Continued)

Primary Examiner — Ruth McInroy

(74) *Attorney, Agent, or Firm* — Lipsitz & McAllister,
LLC

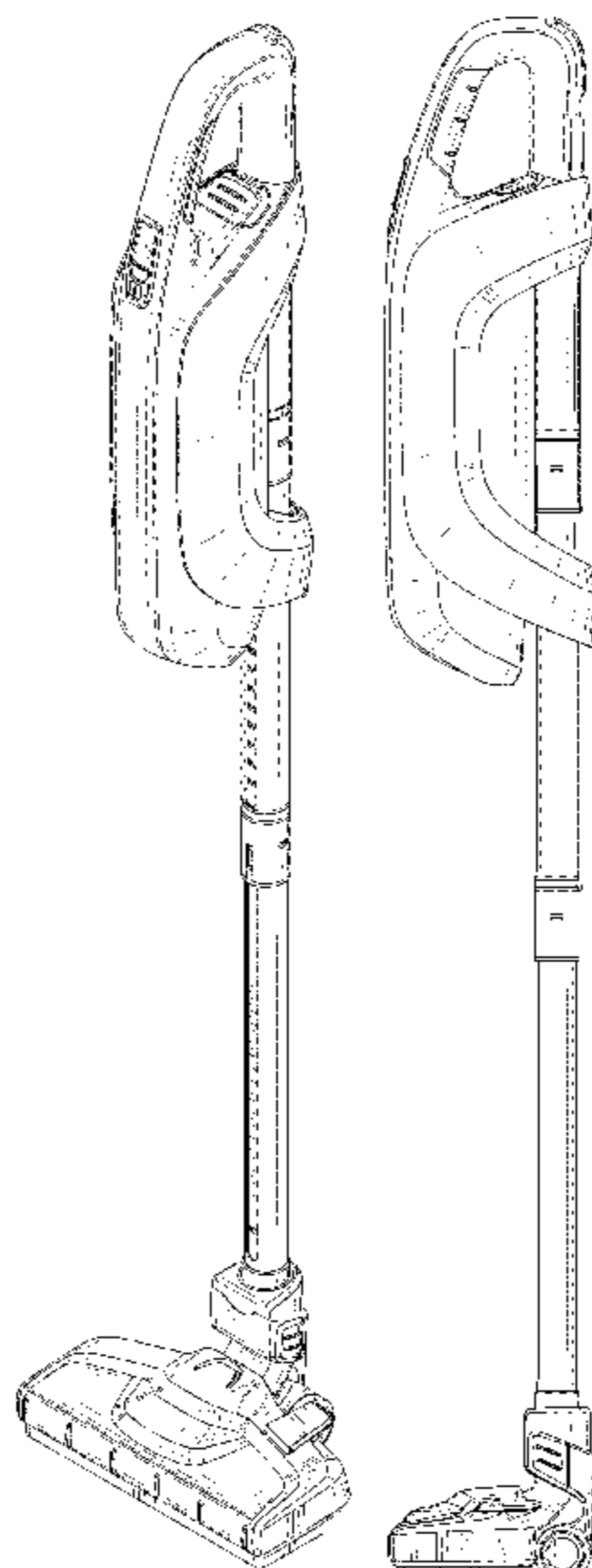
(57) **CLAIM**

The ornamental design for an electric vacuum cleaner, as
shown and described.

DESCRIPTION

FIG. 1 is a front, top and left side perspective view of an
electric vacuum cleaner showing the new design;
FIG. 2 is a front, top and right side perspective view thereof;
FIG. 3 is a front elevational view thereof;
FIG. 4 is a left side elevational view thereof;
FIG. 5 is a rear elevational view thereof;
FIG. 6 is a right side elevational view thereof; and,
FIG. 7 is a top plan view thereof.

1 Claim, 7 Drawing Sheets



(56)

References Cited

U.S. PATENT DOCUMENTS

D739,620 S	9/2015	Johnson	
D751,261 S	3/2016	Thorne	
D769,556 S	10/2016	Kim et al.	
D769,557 S	10/2016	Johnson	
D770,106 S	10/2016	Johnson et al.	
D770,111 S	10/2016	Lee et al.	
D771,890 S	11/2016	Kim	
D774,260 S	* 12/2016	Manning	D32/22
D775,440 S	12/2016	Kwon et al.	
D775,772 S	1/2017	Lee et al.	

OTHER PUBLICATIONS

Extract from catalog of Alfred Kaercher GmbH & Co. KG, "Programme 2011 Kaercher Professional (Commercial)", cover, pp. 120-134, 136, 138, 142, 148 and last page (Nov. 2010).

Extract from catalog of Alfred Kaercher GmbH & Co. KG, "Programme 2011/2012 Kaercher Home and Garden (60 Hz)", cover, pp. 72-97 and last page (Aug. 2011).

Extract from catalog of Alfred Kaercher GmbH & Co. KG, "Programme 2012 Kaercher Home and Garden", cover, pp. 72-81 and last page (Oct. 2011).

Extract from catalog of Alfred Kaercher GmbH & Co. KG, "Programme 2012 Kaercher Professional (Professional Industrial)", cover, pp. 108, 110, 111, 115-118 and last page (Nov. 2011).

Extract from catalog of Alfred Kaercher GmbH & Co. KG, "Programme 2012 Kaercher Professional", cover, pp. 126-134, 136, 138, 140, 142, 144, 146, 148, 150, 151, 162, and last page (Nov. 2011).

Extract from catalog of Alfred Kaercher GmbH & Co. KG, "Programme 2013 Kaercher Home and Garden", cover, pp. 70-86 and last page (Oct. 2012).

Extract from catalog of Alfred Kaercher GmbH & Co. KG, "Programme 2013 Kaercher Professional", cover, pp. 238, 240-267 and last page (Nov. 2012).

Extract from catalog of Alfred Kaercher GmbH & Co. KG, "Programme 2013/2014 Kaercher Professional (60 Hz)", cover, pp. 94-143 and last page (Aug. 2013).

Extract from catalog of Alfred Kaercher GmbH & Co. KG, "Programme 2014 Kaercher Xpert", cover, pp. 3, 14, 15 and last page (Oct. 2013).

Extract from catalog of Alfred Kaercher GmbH & Co. KG, "Programme 2014 Kaercher Home and Garden", cover, pp. 3, 58-73, 80-87 and last page (Oct. 2013).

Extract from catalog of Alfred Kaercher GmbH & Co. KG, "Programme 2014 Professional", cover, pp. 13, 164-215, 244-255 and last page (Oct. 2013).

Extract from catalog of Alfred Kaercher GmbH & Co. KG, "Programme 2015/2016 Home and Garden 60 Hz", cover, pp. 3, 58-87 and last page (Nov. 2014).

Extract from catalog of Alfred Kaercher GmbH & Co. KG, "Programme 2015 Professional", cover, pp. 184-221, 244-265, 294-347, 356-361 and last page (Nov. 2014).

* cited by examiner

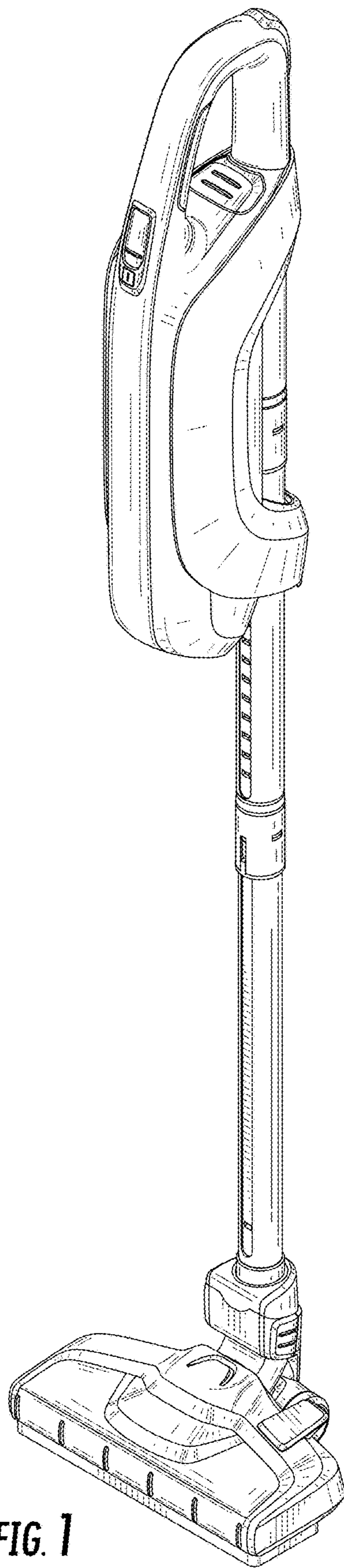


FIG. 1

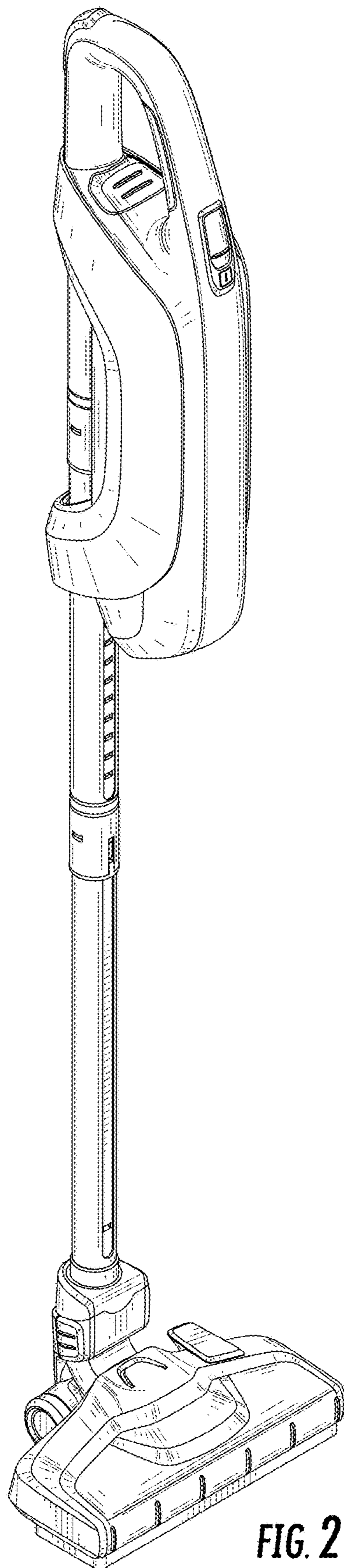


FIG. 2

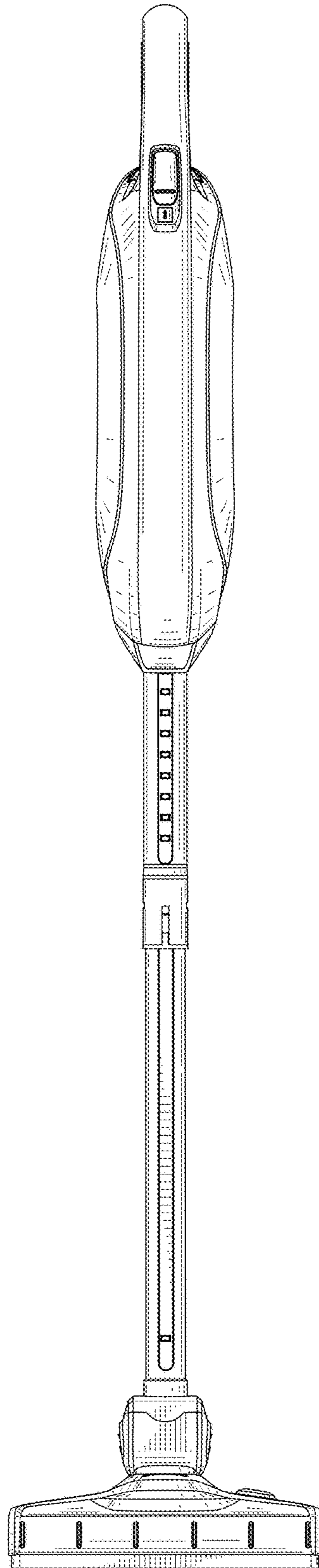


FIG. 3

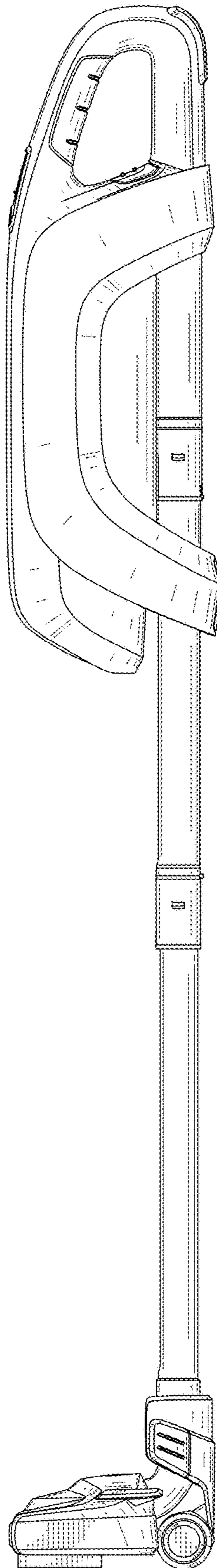


FIG. 4

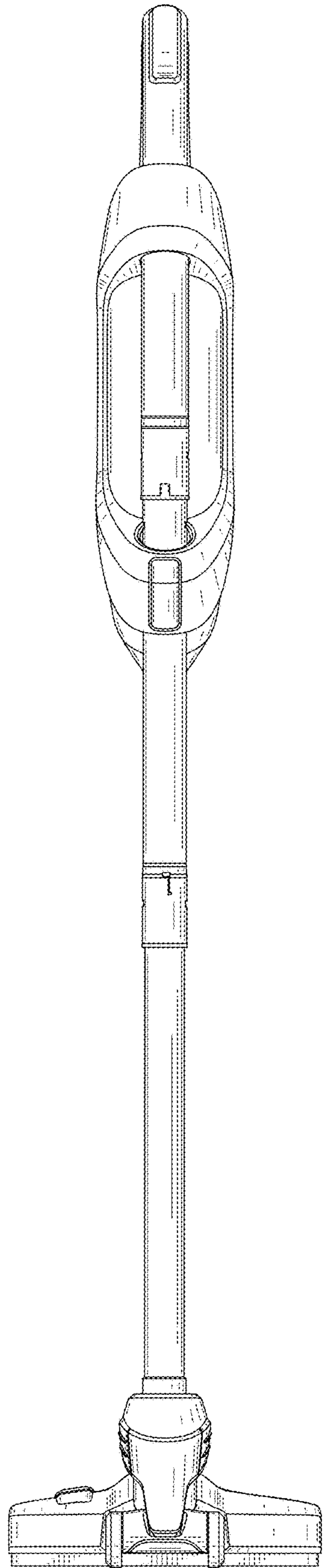


FIG. 5

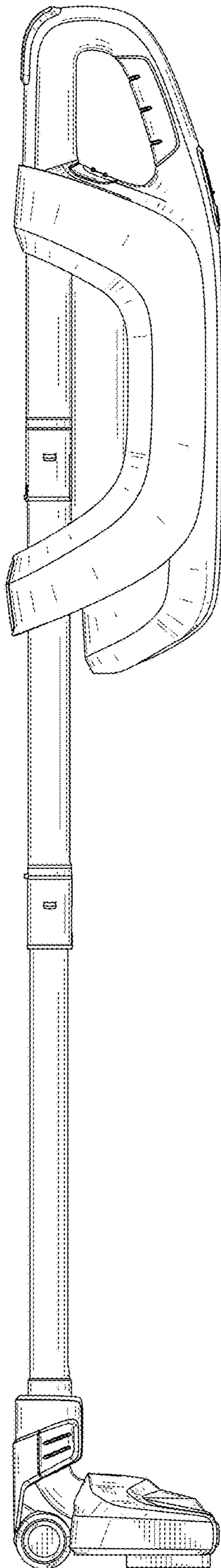


FIG. 6

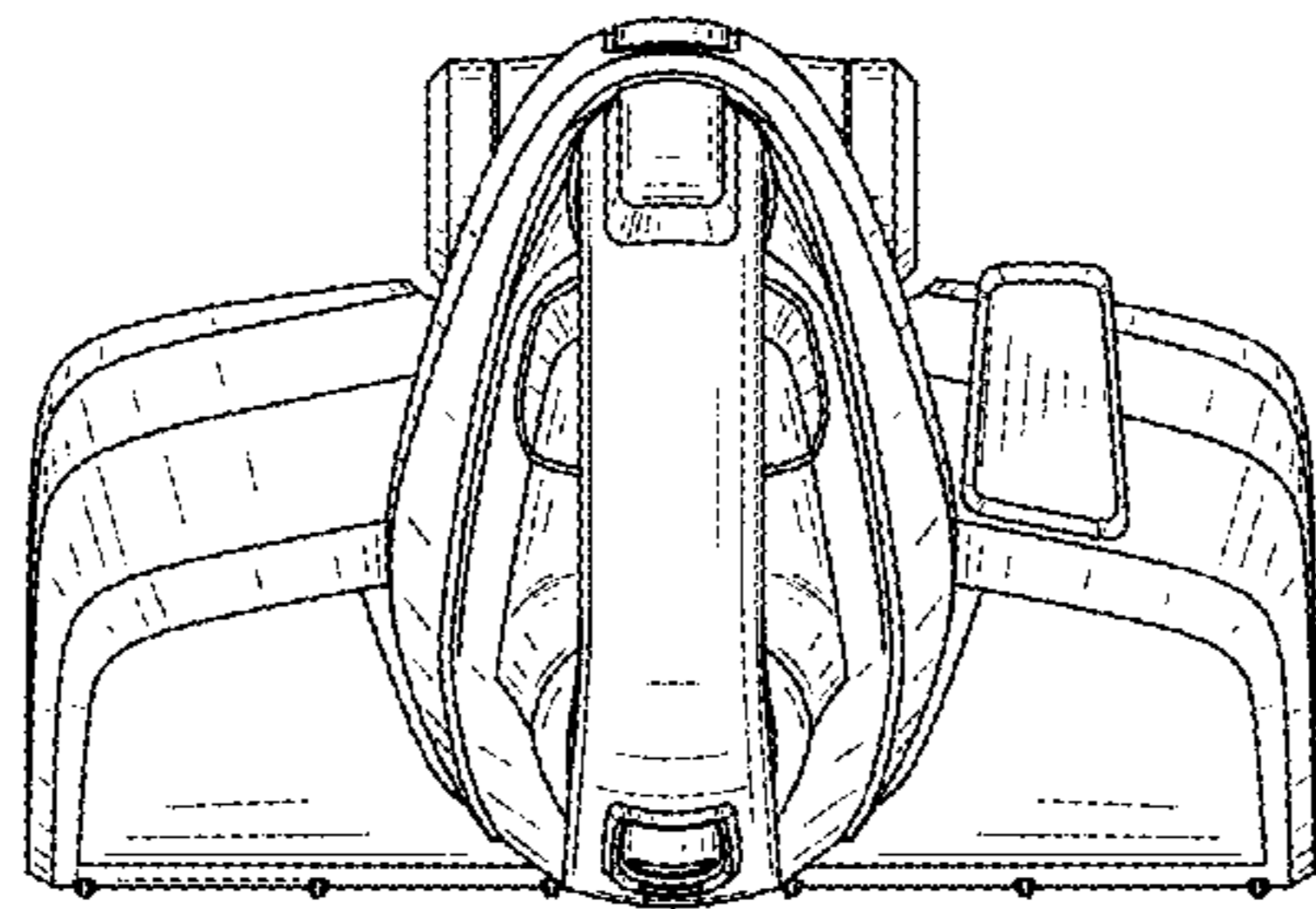


FIG. 7