



US00D792038S

(12) **United States Design Patent**  
**Yoon et al.**

(10) **Patent No.:** **US D792,038 S**

(45) **Date of Patent:** **\*\* Jul. 11, 2017**

(54) **VACUUM CLEANER**

(71) Applicant: **Samsung Electronics Co., Ltd.**,  
Suwon-si (KR)

(72) Inventors: **Sanghun Yoon**, Seoul (KR);  
**Kyoungmin Lee**, Goyang-si (KR);  
**Cheolyeon Jo**, Seoul (KR); **Seokwoo Kim**, Seoul (KR)

(73) Assignee: **SAMSUNG ELECTRONICS CO., LTD.**, Suwon-si (KR)

(\*\*) Term: **15 Years**

(21) Appl. No.: **29/548,268**

(22) Filed: **Dec. 11, 2015**

(30) **Foreign Application Priority Data**

Jun. 11, 2015 (KR) ..... 30-2015-0029324

(51) **LOC (10) Cl.** ..... **15-05**

(52) **U.S. Cl.**  
USPC ..... **D32/18**

(58) **Field of Classification Search**  
USPC ..... D32/17-18, 22, 31, 34, 45, 50-51;  
D8/374, 323, 325  
CPC ..... A47L 5/24; A47L 5/28; A47L 5/34; A47L  
7/0038; A47L 9/325; A47L 9/02; A47L  
11/34; A47L 11/4086; A47L 13/26; A47L  
13/225; A47L 13/22; B08B 9/0323; A23C  
3/031  
See application file for complete search history.

(56) **References Cited**

**U.S. PATENT DOCUMENTS**

D357,772 S \* 4/1995 Yuen ..... D32/18  
D401,021 S \* 11/1998 Stephens ..... D32/18  
D404,857 S \* 1/1999 Ng ..... D32/18  
D448,894 S \* 10/2001 Yuen ..... D32/18  
D489,849 S \* 5/2004 Ki ..... D32/18

D515,258 S \* 2/2006 Robson ..... D32/18  
D564,153 S \* 3/2008 Fjellman ..... D32/18  
D565,811 S \* 4/2008 Fjellman ..... D32/18  
D565,812 S \* 4/2008 Fjellman ..... D32/18  
D569,059 S \* 5/2008 Stratford ..... D32/18  
D569,060 S \* 5/2008 Stratford ..... D32/18  
D579,161 S \* 10/2008 Crawley ..... D32/18  
D608,063 S \* 1/2010 Okuda ..... D32/18  
D608,511 S \* 1/2010 Okuda ..... D32/18  
D648,083 S \* 11/2011 Luyckx ..... D32/18  
D660,527 S \* 5/2012 Kawase ..... D32/18  
D660,528 S \* 5/2012 Okuda ..... D32/18  
D696,825 S \* 12/2013 Sweeney ..... D32/18

**FOREIGN PATENT DOCUMENTS**

CN 303033078 S 12/2014  
EM 002264424-0007 7/2013  
KR 300624204 12/2011

\* cited by examiner

*Primary Examiner* — Ruth McInroy

(74) *Attorney, Agent, or Firm* — McAndrews Held & Malloy, Ltd.

(57) **CLAIM**

The ornamental design for a vacuum cleaner, as shown and described.

**DESCRIPTION**

FIG. 1 is a front perspective view of a vacuum cleaner showing our new design;  
FIG. 2 is a front elevation view thereof;  
FIG. 3 is a rear elevation view thereof;  
FIG. 4 is a left-side elevation view thereof;  
FIG. 5 is a right-side elevation view thereof;  
FIG. 6 is a top plan view thereof;  
FIG. 7 is a bottom plan view thereof; and,  
FIG. 8 is a rear perspective view thereof.

The broken lines in the drawings illustrate portions of the vacuum cleaner that form no part of the claimed design.

**1 Claim, 8 Drawing Sheets**

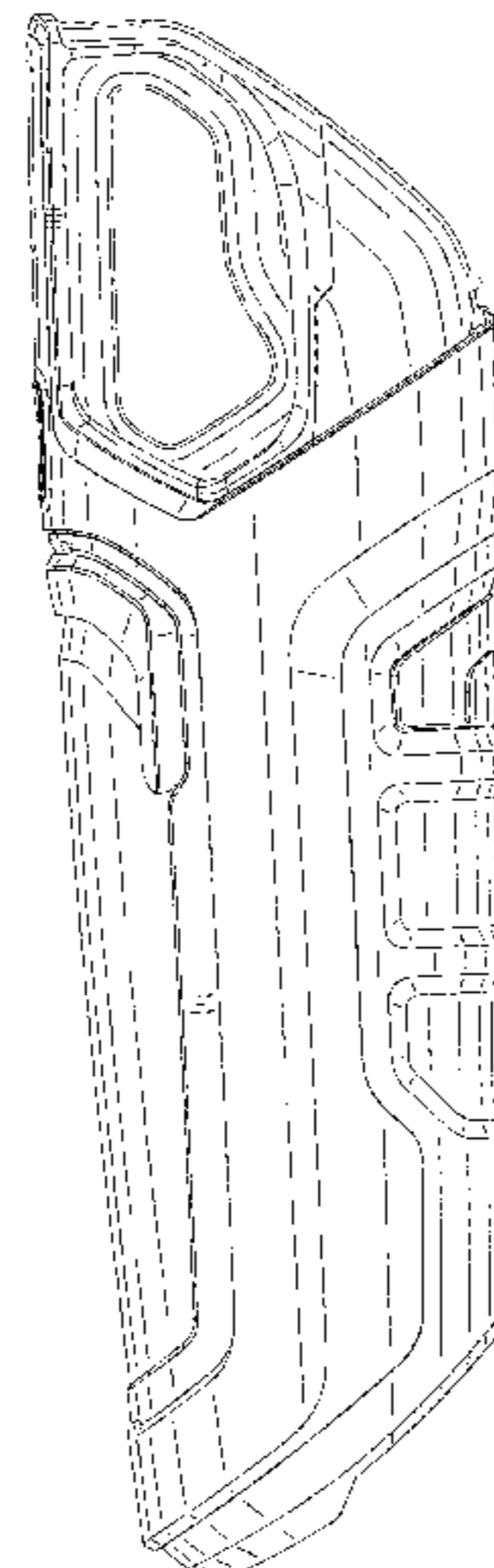
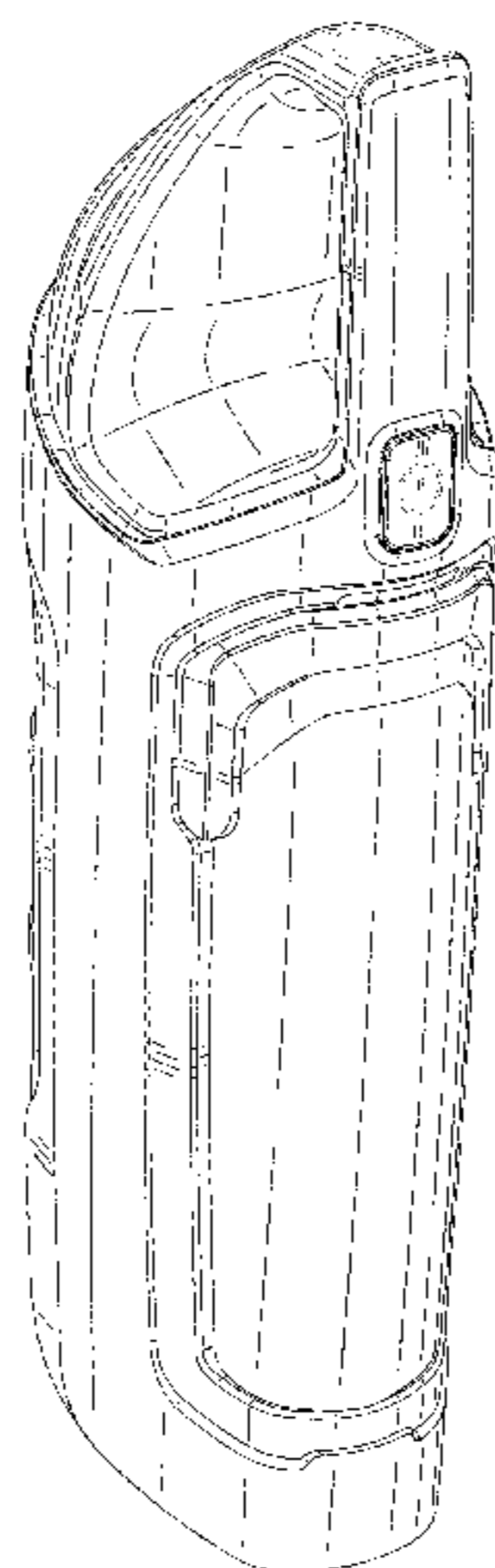


FIG. 1

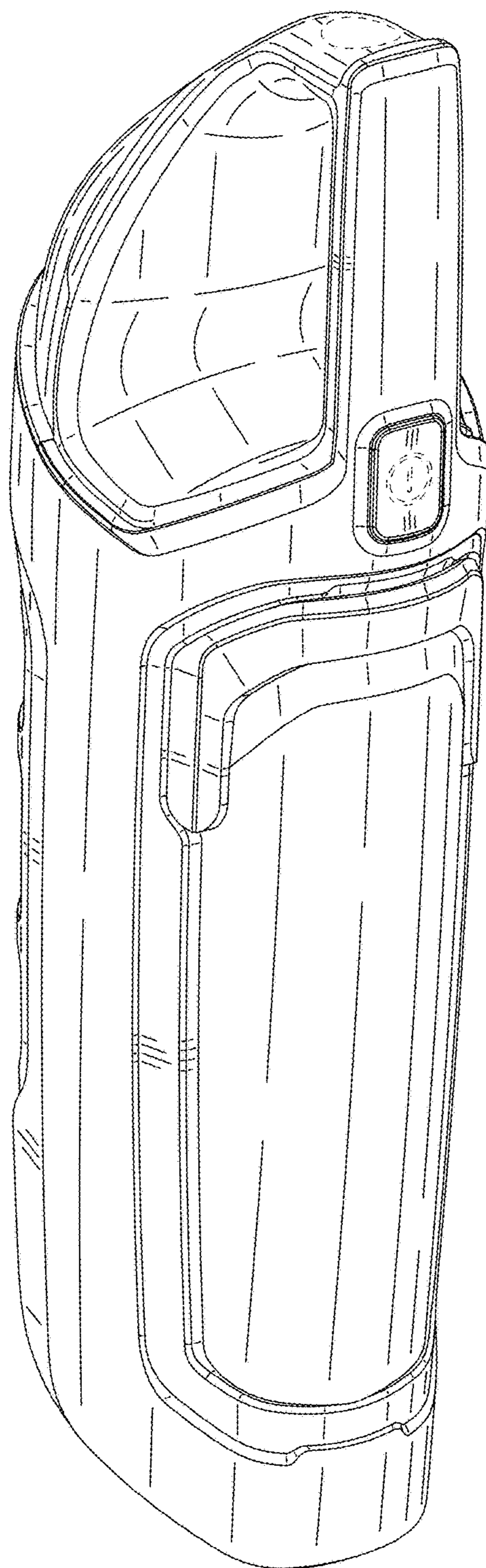


FIG. 2

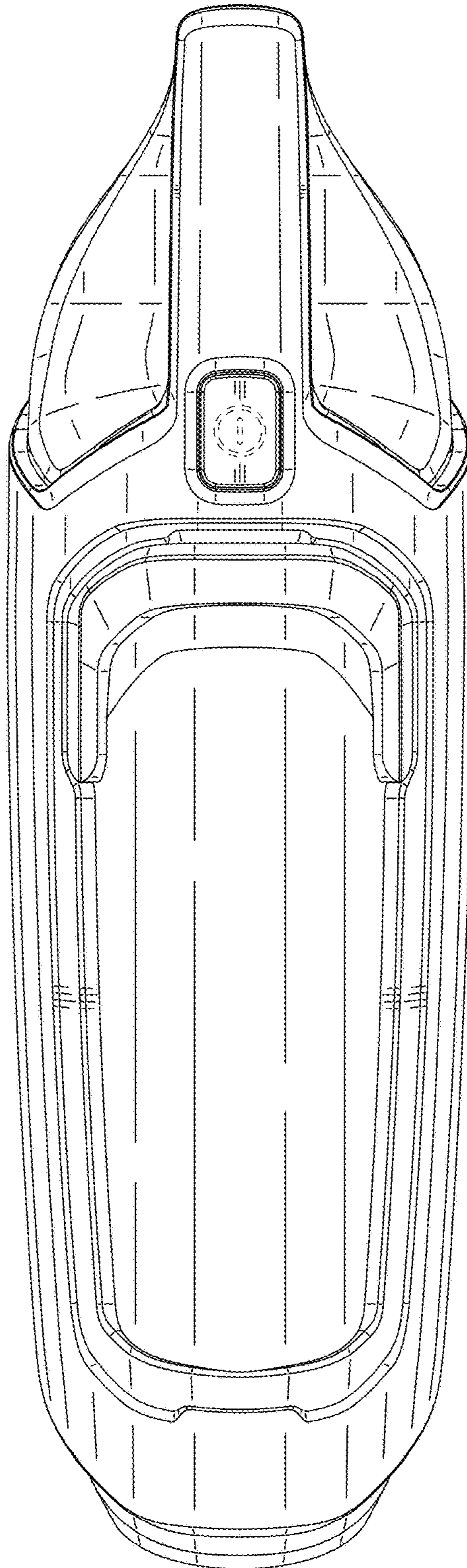


FIG. 3

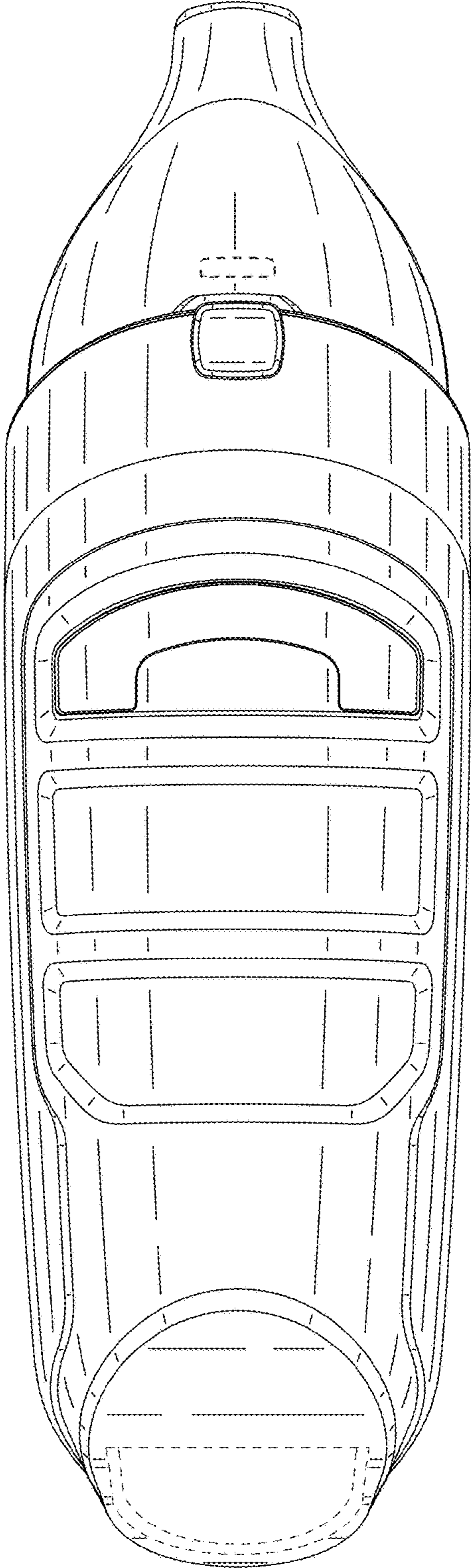


FIG. 4

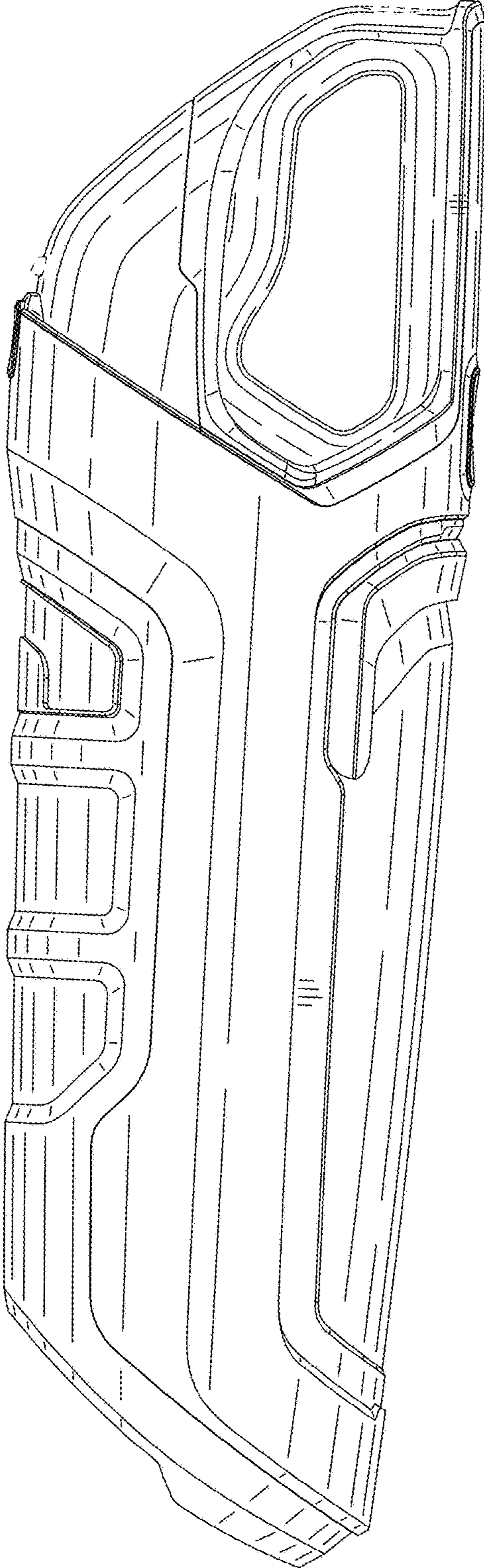


FIG. 5

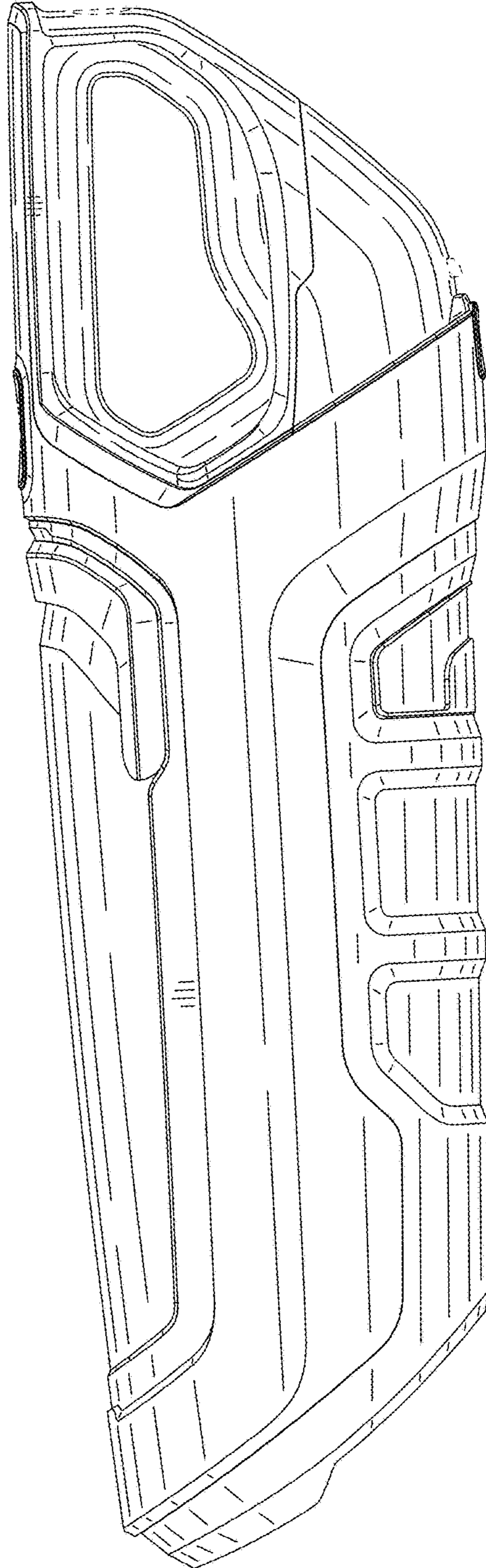


FIG. 6

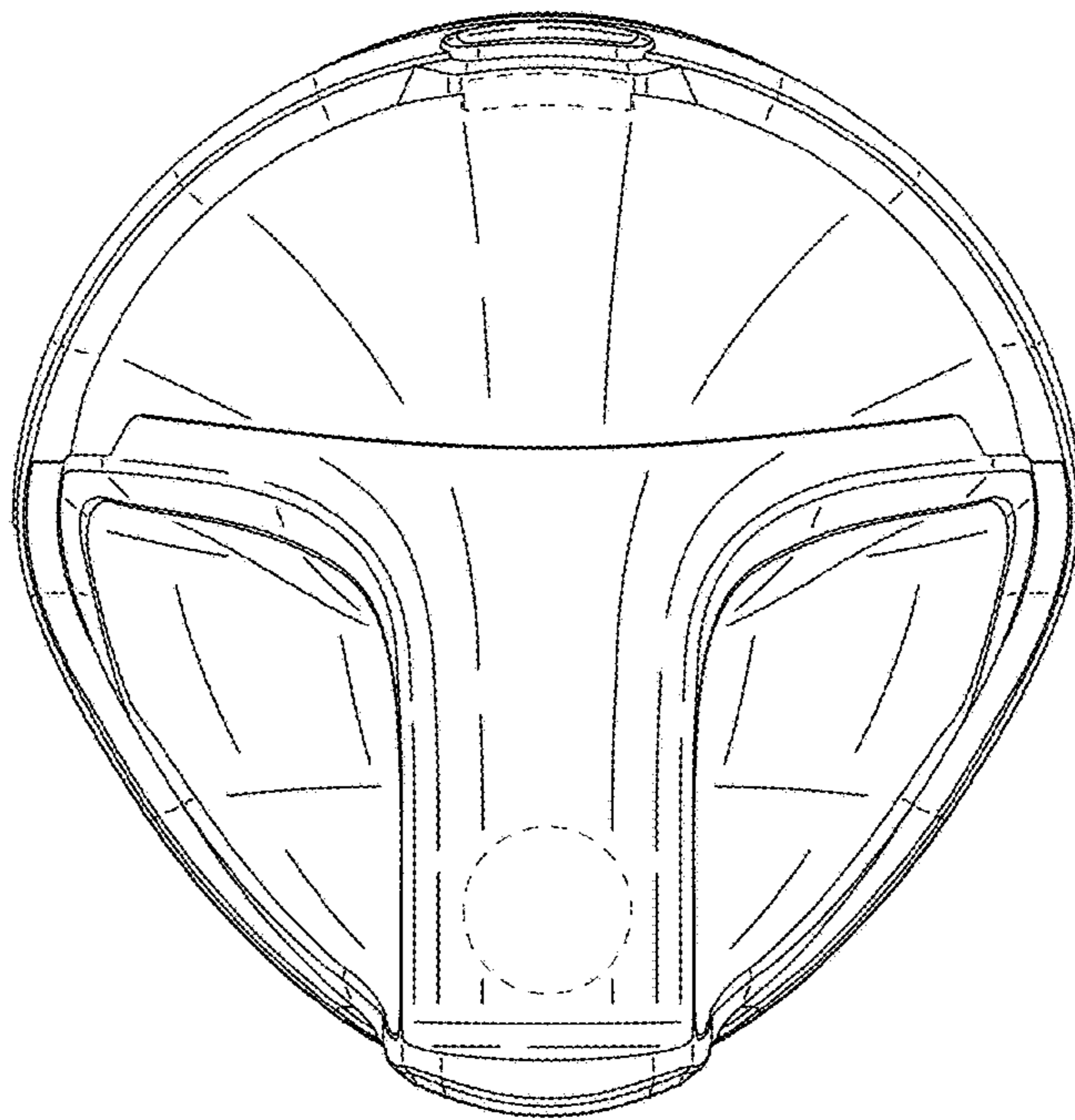


FIG. 7

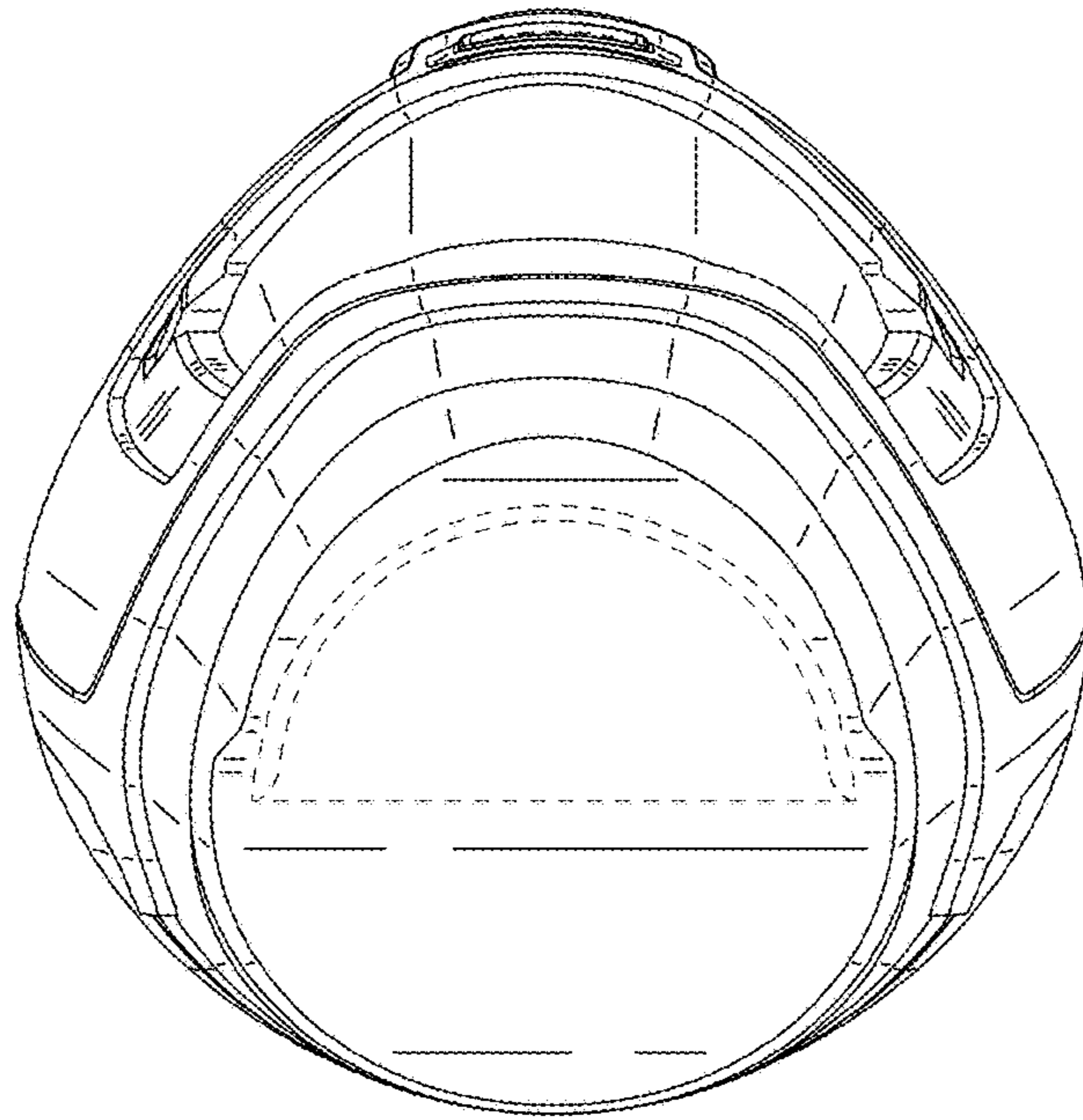




FIG. 8

