



US00D792036S

(12) **United States Design Patent** (10) **Patent No.:** **US D792,036 S**
Genoa (45) **Date of Patent:** **** Jul. 11, 2017**

- (54) **STEAM CLEANING DEVICE**
- (71) Applicant: **Scott Genoa**, Merrick, NY (US)
- (72) Inventor: **Scott Genoa**, Merrick, NY (US)
- (73) Assignee: **IMIG, Inc.**, Farmingdale, NY (US)
- (**) Term: **14 Years**
- (21) Appl. No.: **29/510,903**
- (22) Filed: **Dec. 4, 2014**
- (51) **LOC (10) Cl.** **15-05**
- (52) **U.S. Cl.**
USPC **D32/17**
- (58) **Field of Classification Search**
USPC ... D32/17-18, 21-24, 31, 34, 40, 42, 49-52
CPC ... A47L 5/28; A47L 5/32; A47L 5/362; A47L 5/365; A47L 5/24; A47L 5/34; A47L 7/0038; A47L 9/26; A47L 9/2857; A47L 9/20; A47L 9/02; A47L 9/322; A47L 9/325; A47L 11/34; A47L 11/40; A47L 11/4044; A47L 11/20; A47L 11/146; D06F 87/00; F22B 37/265; B08B 3/02; F02B 77/04; A01M 1/2077
See application file for complete search history.

D486,279 S *	2/2004	Chen	D32/17
D558,943 S *	1/2008	Labarbera	D32/31
D561,959 S *	2/2008	Hahn	D32/22
D562,509 S *	2/2008	Lee	D32/22
D562,510 S *	2/2008	Hahn	D32/22
D664,314 S *	7/2012	Li	D32/17
D671,283 S *	11/2012	Paterson	D32/22
D672,516 S *	12/2012	Ediger	D32/17
D685,966 S *	7/2013	Houghton	D32/45
D690,062 S *	9/2013	Luedke	D32/17
D711,058 S *	8/2014	Crawley	D32/45
2011/0131753 A1 *	6/2011	Krebs	A47L 11/4036 15/320
2013/0315653 A1 *	11/2013	Jalbert	A47L 11/40 403/119

* cited by examiner

Primary Examiner — Ruth McInroy

(74) *Attorney, Agent, or Firm* — Gerard F. Dunne

(57) **CLAIM**

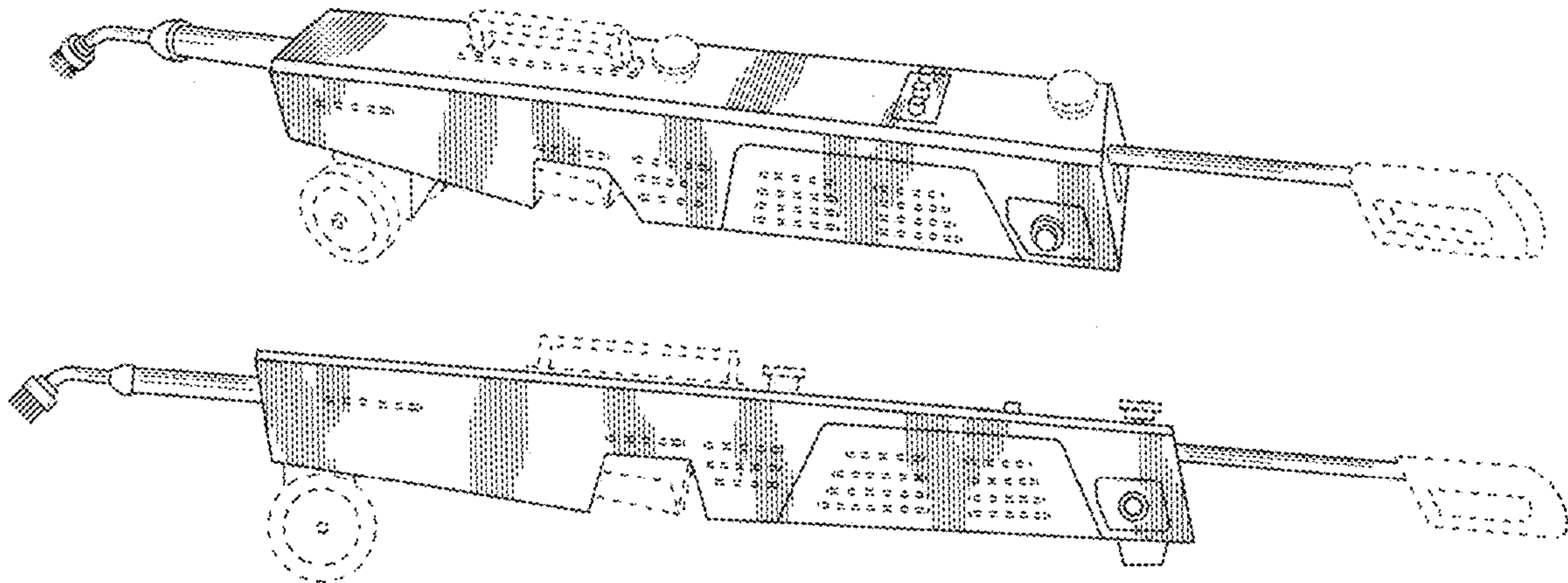
The ornamental design for a steam cleaning device, as shown and described.

DESCRIPTION

FIG. 1 is a perspective view taken from the top and left side showing my new design;
 FIG. 2 is a left side view thereof;
 FIG. 3 is a right side view thereof;
 FIG. 4 is a front view thereof;
 FIG. 5 is a rear view thereof;
 FIG. 6 is a top plan view thereof; and,
 FIG. 7 is a bottom plan view thereof.
 The details shown in broken lines form no part of the claimed design.

1 Claim, 4 Drawing Sheets

- (56) **References Cited**
U.S. PATENT DOCUMENTS
4,836,145 A * 6/1989 Ronchi nee Marchesin F22B 1/287
122/4 A
D399,615 S * 10/1998 Hajjar D32/22
D433,546 S * 11/2000 Milanese D32/17
D468,498 S * 1/2003 Santiago D32/31



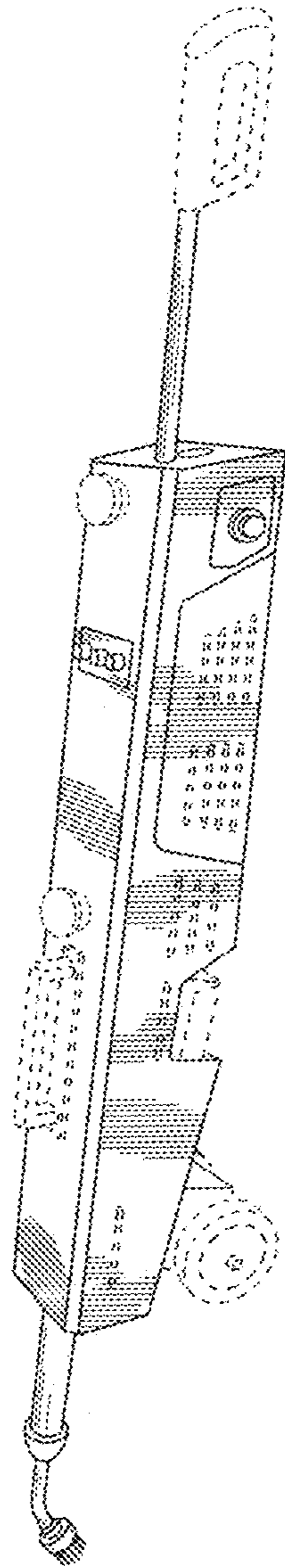


Fig. 1

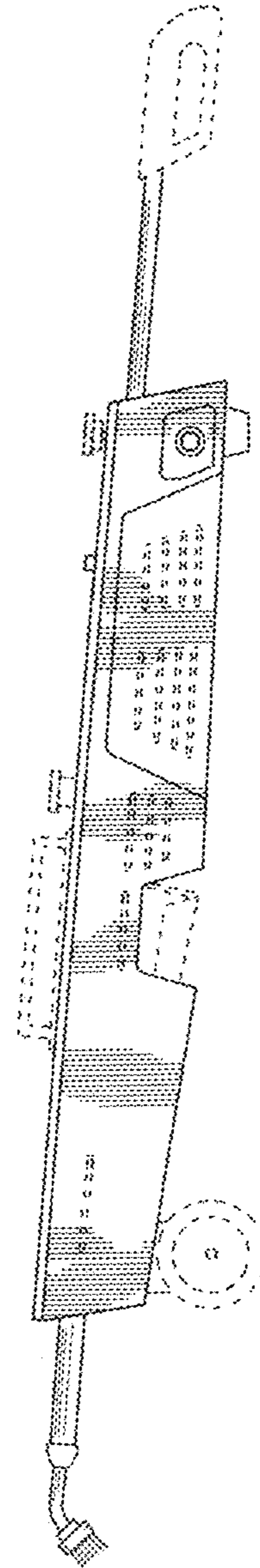


Fig. 2

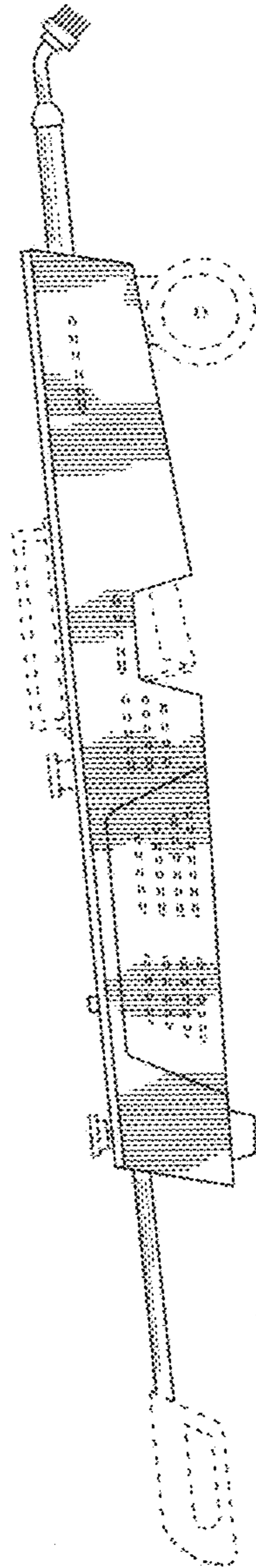


Fig. 3

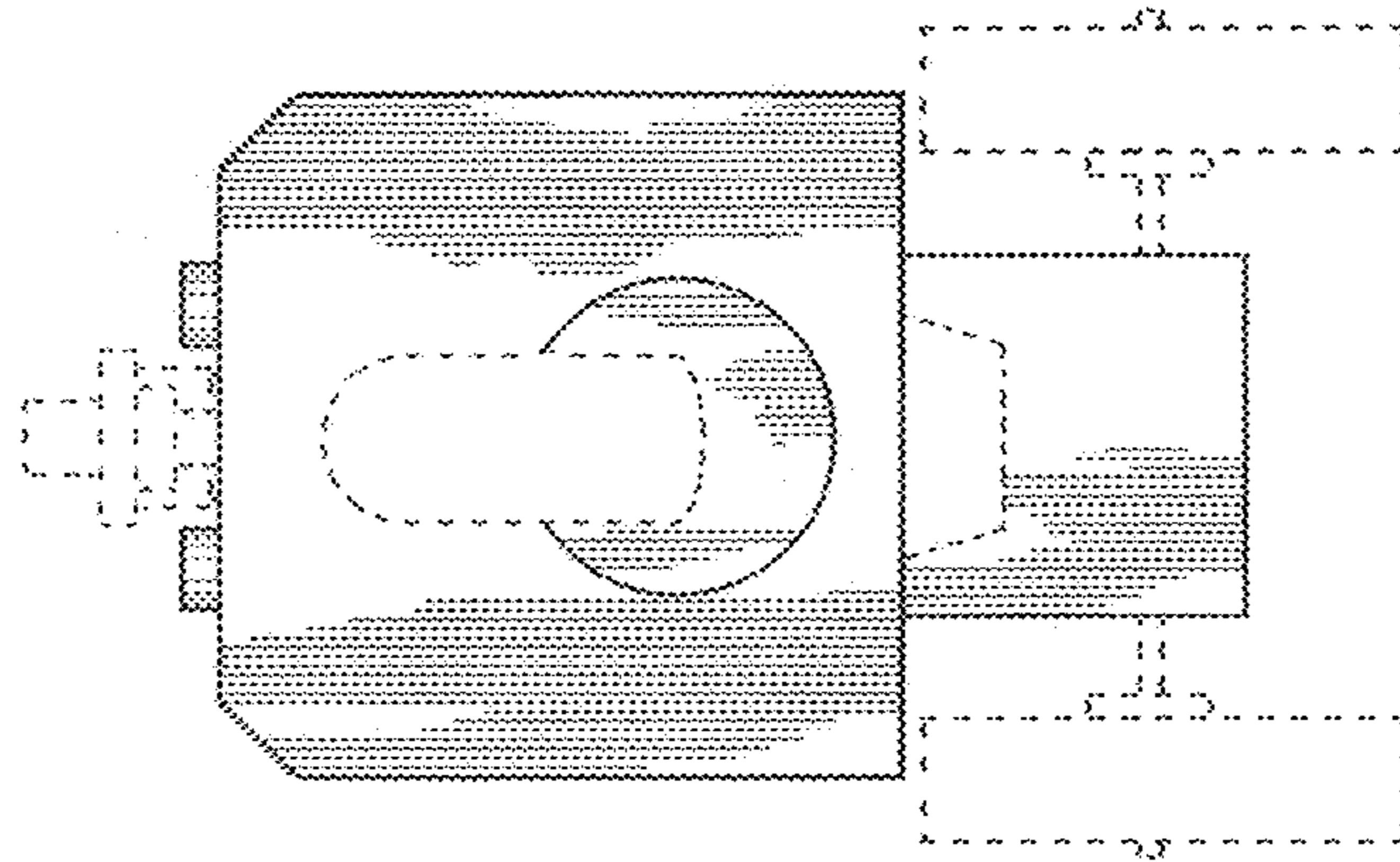


Fig. 4

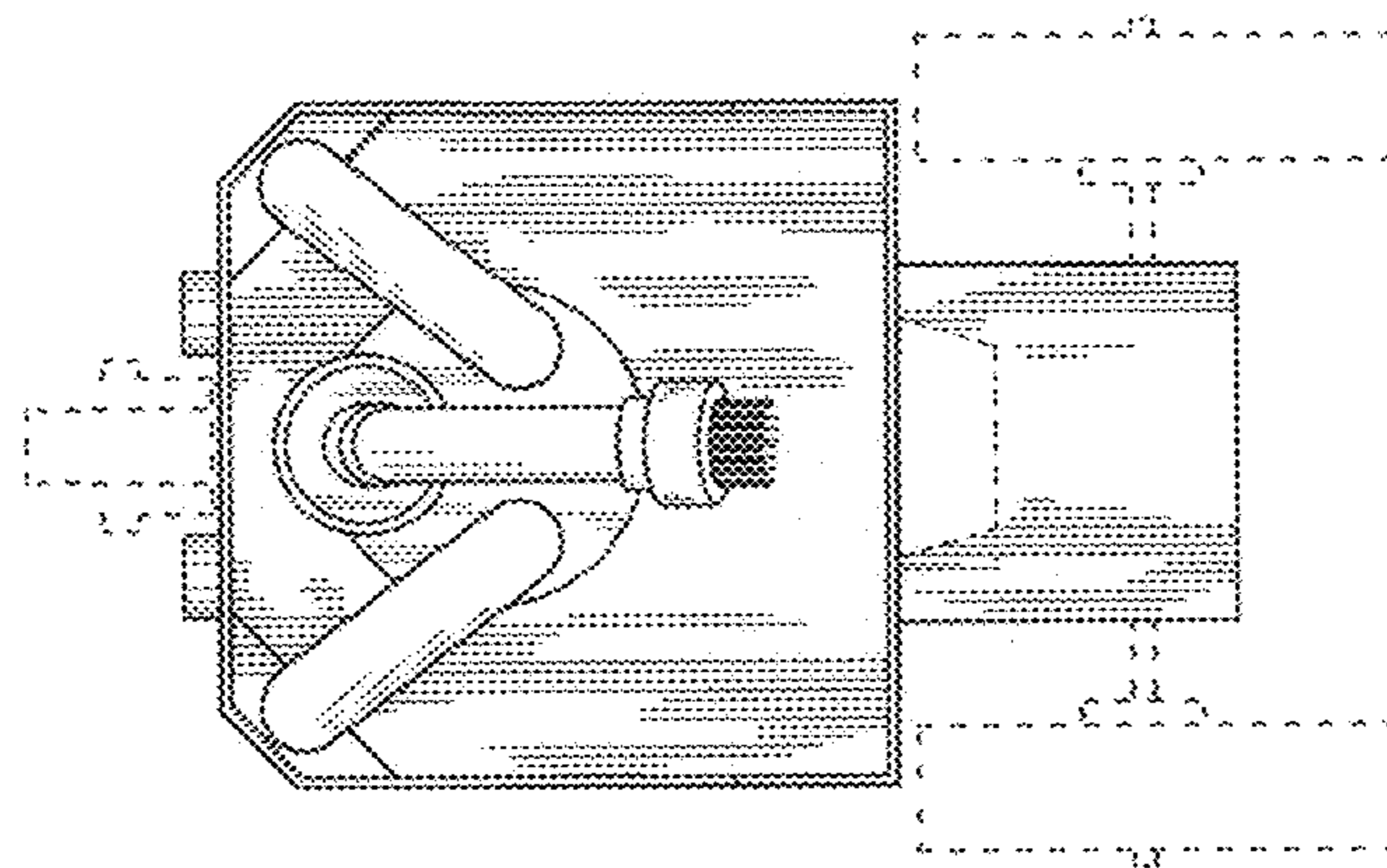


Fig. 5

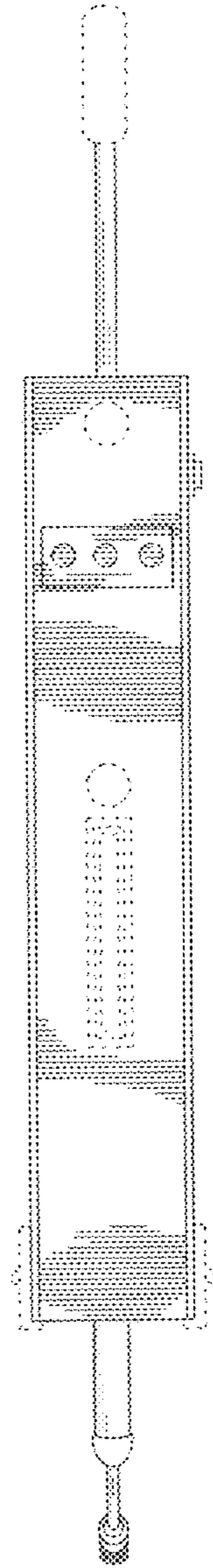


Fig. 6

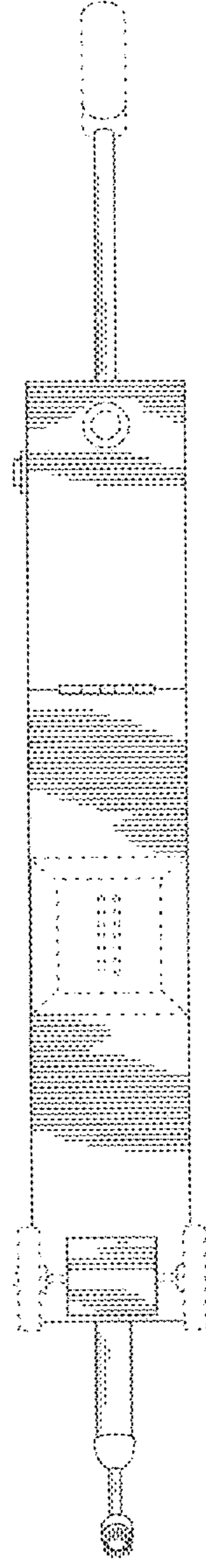


Fig. 7