



US00D792032S

(12) **United States Design Patent**
Haywood

(10) **Patent No.:** **US D792,032 S**

(45) **Date of Patent:** **** Jul. 11, 2017**

- (54) **CIRCULAR HILT CALF FEEDER**
- (71) Applicant: **Ursula Mary Haywood**, Cambridge (NZ)
- (72) Inventor: **Ursula Mary Haywood**, Cambridge (NZ)
- (**) Term: **15 Years**
- (21) Appl. No.: **29/564,501**
- (22) Filed: **May 13, 2016**

1,548,956 A *	8/1925	Rosenberg	B67B 7/26 222/189.07
1,760,053 A *	5/1930	Gans	A01K 9/005 119/71
D103,976 S *	4/1937	Lermer	D24/114
2,460,529 A *	2/1949	Paasche	B05B 7/1209 137/636
D174,985 S *	6/1955	Fields et al.	D24/114
2,759,772 A *	8/1956	Hopkins	B05B 7/04 137/625.18
3,042,002 A *	7/1962	Liell	A01K 9/00 119/71
3,090,355 A *	5/1963	Gains	A01K 9/00 119/71

(Continued)

(30) **Foreign Application Priority Data**

Dec. 14, 2015 (NZ) 421032

(51) **LOC (10) Cl.** **30-03**

(52) **U.S. Cl.**
USPC **D30/121**

(58) **Field of Classification Search**

USPC D30/121, 199; 119/71, 72, 72.5, 75;
D24/114, 130, 196; D23/213, 223;
604/187, 192, 197, 257, 263, 514, 516;
132/333; 215/11.1, 11.4, 11.5, 400;
222/173, 174, 175; 239/33, 398, 401,
239/408, 340, 346, 380, 310, 353, 117,
239/116, 319, DIG. 14

CPC . A01K 9/00; A01K 9/005; A01K 7/00; A01K
7/02; A01K 7/022; A01K 7/06; A01K
5/00; A01K 5/02; A01K 5/0216; A01K
5/0275; A01K 19/00; A01K 1/10; A47G
21/188; A47G 21/189; A61J 11/0005;
A61J 11/0035; A61J 15/00; A61J
15/0011; A61J 15/0026; B05B 7/02;
B05B 7/12; B05B 7/025; B05B 1/3046;
A61M 5/3213; Y10S 239/14

See application file for complete search history.

(56) **References Cited**

U.S. PATENT DOCUMENTS

1,268,403 A *	6/1918	Stacker	B05B 7/2478 239/288.5
1,299,290 A *	4/1919	Berg	B05B 7/2435 239/346

Primary Examiner — Susan Moon Lee

(74) *Attorney, Agent, or Firm* — Studebaker & Brackett
PC

(57) **CLAIM**

I claim the ornamental design for a circular hilt calf feeder, as shown and described.

DESCRIPTION

FIG. 1 is a perspective view of a circular hilt calf feeder in accordance with my new design, shown in a retracted configuration;

FIG. 2 is a rear perspective view thereof;

FIG. 3 is an enlarged front view thereof;

FIG. 4 is an enlarged rear view thereof;

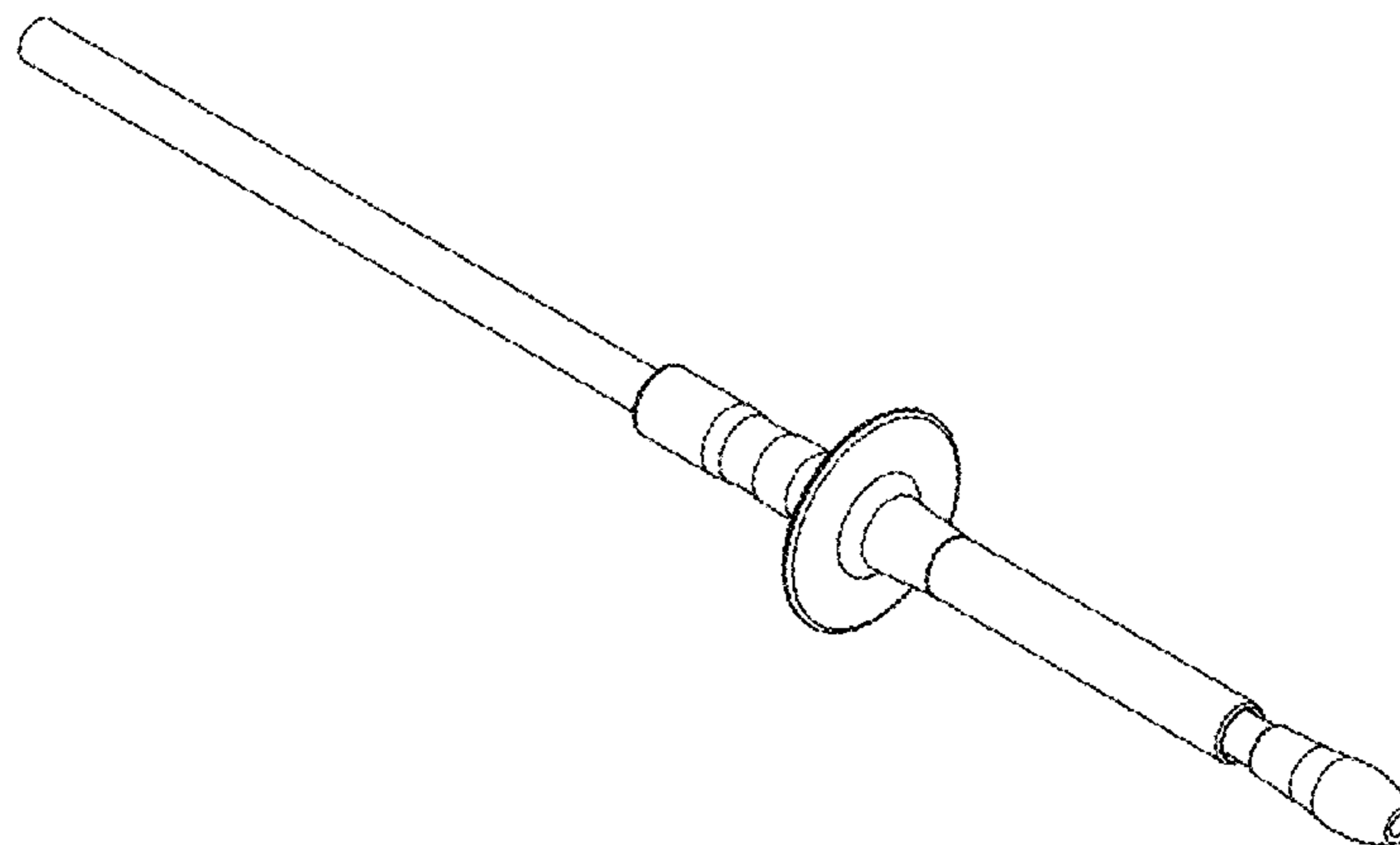
FIG. 5 is a side view thereof, the opposite side, top and bottom views being identical;

FIG. 6 is a front perspective view of the circular hilt calf feeder, shown in an extended configuration;

FIG. 7 is a rear perspective view thereof; and,

FIG. 8 is a side view thereof, the opposite side, top and bottom views being identical.

1 Claim, 8 Drawing Sheets



(56)

References Cited

U.S. PATENT DOCUMENTS

D205,270 S * 7/1966 Gray 604/187
 D212,991 S * 12/1968 Evers et al. D24/114
 3,452,717 A * 7/1969 Sunner A01K 9/00
 119/71
 D215,387 S * 9/1969 Cox et al. D24/130
 3,704,803 A * 12/1972 Ponder A61J 9/006
 215/11.2
 3,884,231 A * 5/1975 Peters A61M 3/00
 222/527
 4,153,170 A * 5/1979 Aquarian A61J 9/00
 215/11.1
 4,261,345 A * 4/1981 Yamaguchi A61B 1/12
 600/132
 D260,814 S * 9/1981 Goldhardt D24/114
 4,559,042 A * 12/1985 Votel A61M 5/3213
 604/192
 4,573,975 A * 3/1986 Frist A61M 5/3213
 604/192
 D287,874 S * 1/1987 Blatherwick D24/114
 D287,877 S * 1/1987 Holewinski D24/114
 4,653,432 A * 3/1987 Smeds A01K 5/0216
 119/71
 4,742,910 A * 5/1988 Staebler A61M 5/3213
 206/365
 4,840,618 A * 6/1989 Marvel A61M 5/3213
 604/187
 4,919,656 A * 4/1990 Bracker A61M 5/3213
 604/192
 5,154,324 A * 10/1992 Stratford A61D 7/00
 222/175
 D335,344 S * 5/1993 Hastings D24/114
 D336,516 S * 6/1993 Nilsson D24/130
 5,395,322 A * 3/1995 Moser A47G 21/185
 215/11.1
 5,397,312 A * 3/1995 Rademaker A61M 31/00
 604/187
 5,429,599 A * 7/1995 Heinke A61D 7/00
 604/192
 5,429,600 A * 7/1995 Heinke A61M 31/00
 604/192
 D377,830 S * 2/1997 Lai D24/114
 5,601,537 A * 2/1997 Frassica A61M 25/0021
 604/164.1
 6,039,714 A * 3/2000 Cracauer A61J 15/0034
 604/103.03
 6,120,528 A * 9/2000 Link A61J 11/0005
 128/847
 D445,176 S * 7/2001 Landers D24/108
 6,339,998 B1 * 1/2002 Niki A01K 1/0356
 119/72.5
 6,354,517 B1 * 3/2002 Wu B05B 7/1209
 239/353
 D459,785 S * 7/2002 Chih D23/213
 6,488,666 B1 * 12/2002 Geist A61M 5/3213
 604/192
 6,648,857 B1 * 11/2003 Pedigo A61M 5/3213
 604/192
 D489,819 S * 5/2004 Ford D24/112
 D507,833 S * 7/2005 Coss A61B 90/05
 D24/130
 D515,208 S * 2/2006 Tarumi D24/114
 7,070,124 B1 * 7/2006 Juo B05B 7/064
 239/340
 D545,429 S * 6/2007 Hays D24/114

D556,320 S * 11/2007 Boclet D24/114
 7,360,501 B2 * 4/2008 Jacobsen A61D 7/00
 119/72
 7,389,948 B1 * 6/2008 Lampman B05B 7/2435
 222/637
 D574,954 S * 8/2008 Smith D24/114
 D581,527 S * 11/2008 Jansen D24/130
 D590,500 S * 4/2009 Sudo D24/130
 D593,679 S * 6/2009 Bartlett D24/130
 D594,553 S * 6/2009 Stonehouse D24/112
 D598,093 S * 8/2009 Kawamura D24/130
 D609,333 S * 2/2010 Holmes D24/114
 D610,253 S * 2/2010 Kawamura D24/114
 D615,649 S * 5/2010 Zinn D24/130
 D620,107 S * 7/2010 Bartlett D24/112
 D629,515 S * 12/2010 Laurence D24/130
 D630,298 S * 1/2011 Henry D23/213
 D645,140 S * 9/2011 Peuker D24/114
 D645,936 S * 9/2011 Shepherd D23/213
 D645,959 S * 9/2011 Peuker D24/114
 8,056,508 B1 * 11/2011 Bryan A01K 9/00
 119/71
 D657,867 S * 4/2012 Effenberger D24/114
 D663,023 S * 7/2012 Strong D24/112
 D663,024 S * 7/2012 Trifilio D24/130
 D673,677 S * 1/2013 Noda D24/114
 D681,808 S * 5/2013 Holaschke D24/114
 D690,416 S * 9/2013 Cappello D24/112
 D714,934 S * 10/2014 Kawamura D24/130
 D717,429 S * 11/2014 Kawamura D24/130
 8,961,490 B2 * 2/2015 Musani A61M 5/1782
 604/187
 D733,870 S * 7/2015 Broyles D24/114
 D739,933 S * 9/2015 Ettlin D24/114
 D744,643 S * 12/2015 Eckstein D24/130
 D753,293 S * 4/2016 Eckstein D24/130
 D770,612 S * 11/2016 Green D24/114
 D771,242 S * 11/2016 Kaufmann D24/112
 2004/0210253 A1 * 10/2004 Viggiano A61J 9/00
 606/236
 2004/0217198 A1 * 11/2004 Lloyd B05B 7/2416
 239/306
 2004/0236311 A1 * 11/2004 Ishii A61M 39/20
 604/533
 2005/0049624 A1 * 3/2005 Francese A61B 17/3421
 606/185
 2006/0108319 A1 * 5/2006 Meittunen A61J 1/1425
 215/386
 2006/0266848 A1 * 11/2006 Juo B05B 7/1209
 239/346
 2007/0034708 A1 * 2/2007 Pearson A47G 21/18
 239/33
 2007/0054019 A1 * 3/2007 Sotile B65D 85/78
 426/420
 2008/0097348 A1 * 4/2008 Itrich A61J 15/00
 604/264
 2008/0167622 A1 * 7/2008 Noppen A61M 5/321
 604/192
 2012/0035593 A1 * 2/2012 Lair A61J 15/0026
 604/535
 2012/0095432 A1 * 4/2012 Nath A61B 17/3415
 604/500
 2012/0199595 A1 * 8/2012 Makowski A61J 1/1475
 220/710
 2016/0317393 A1 * 11/2016 Davis A61J 15/0026

* cited by examiner

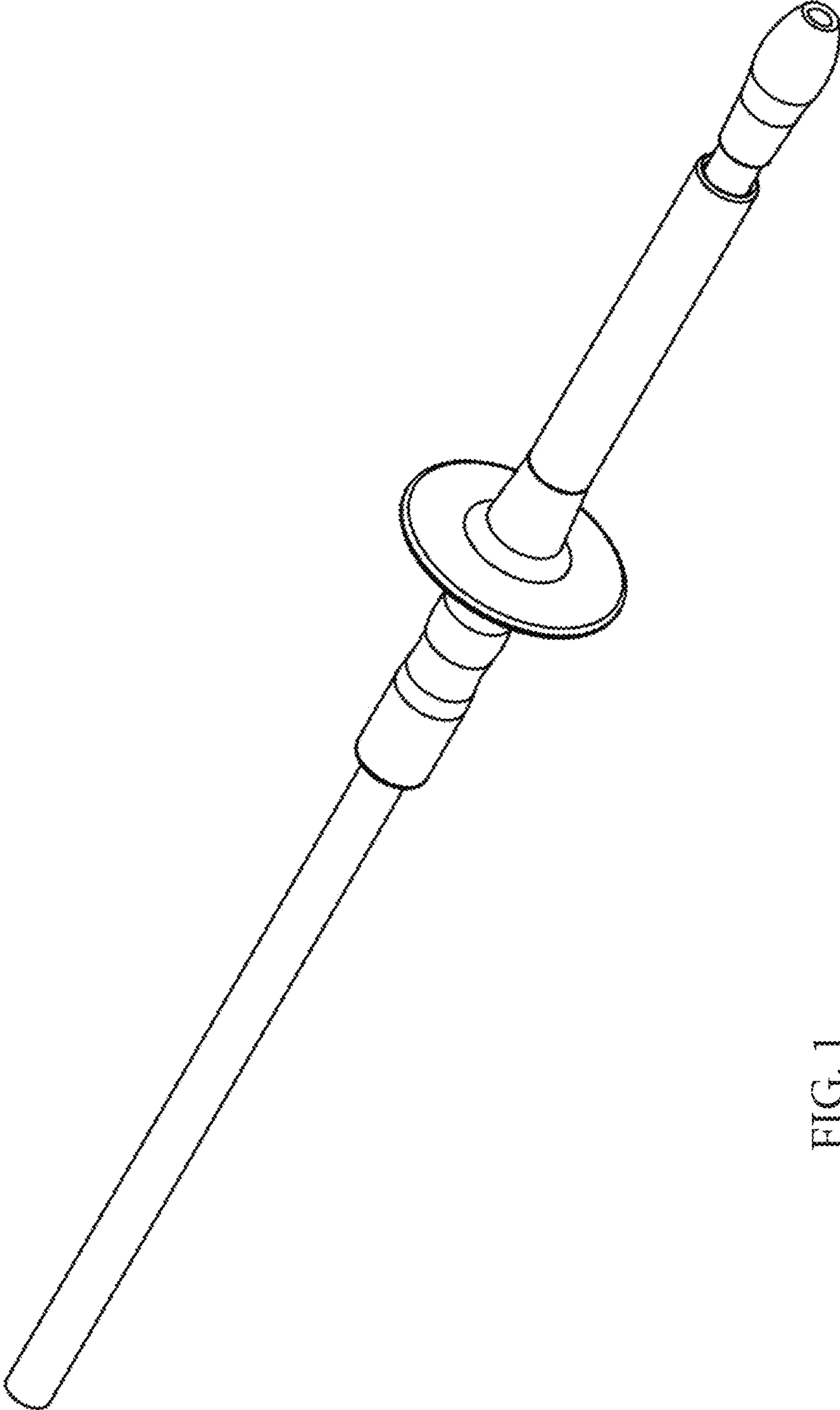


FIG. 1

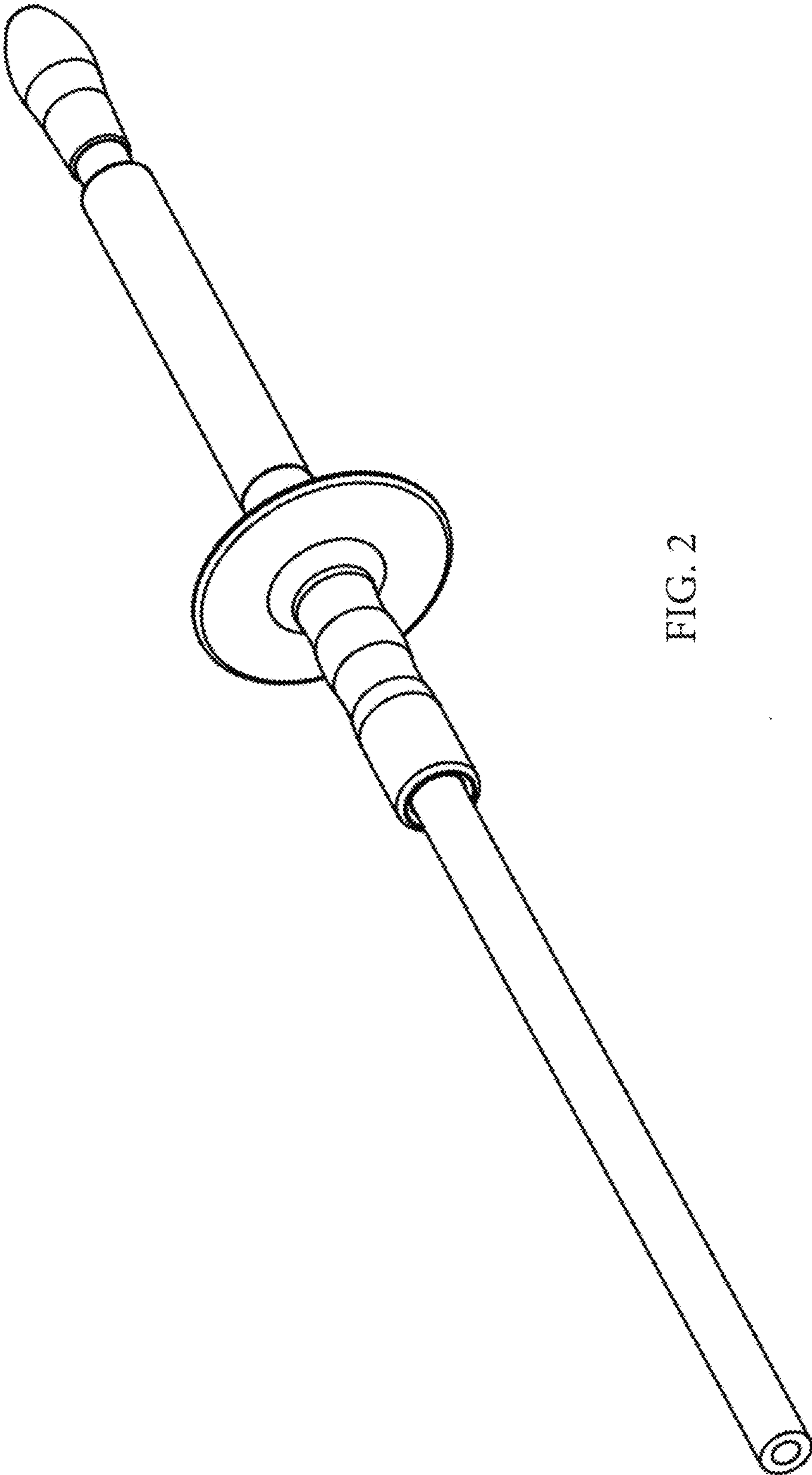


FIG. 2

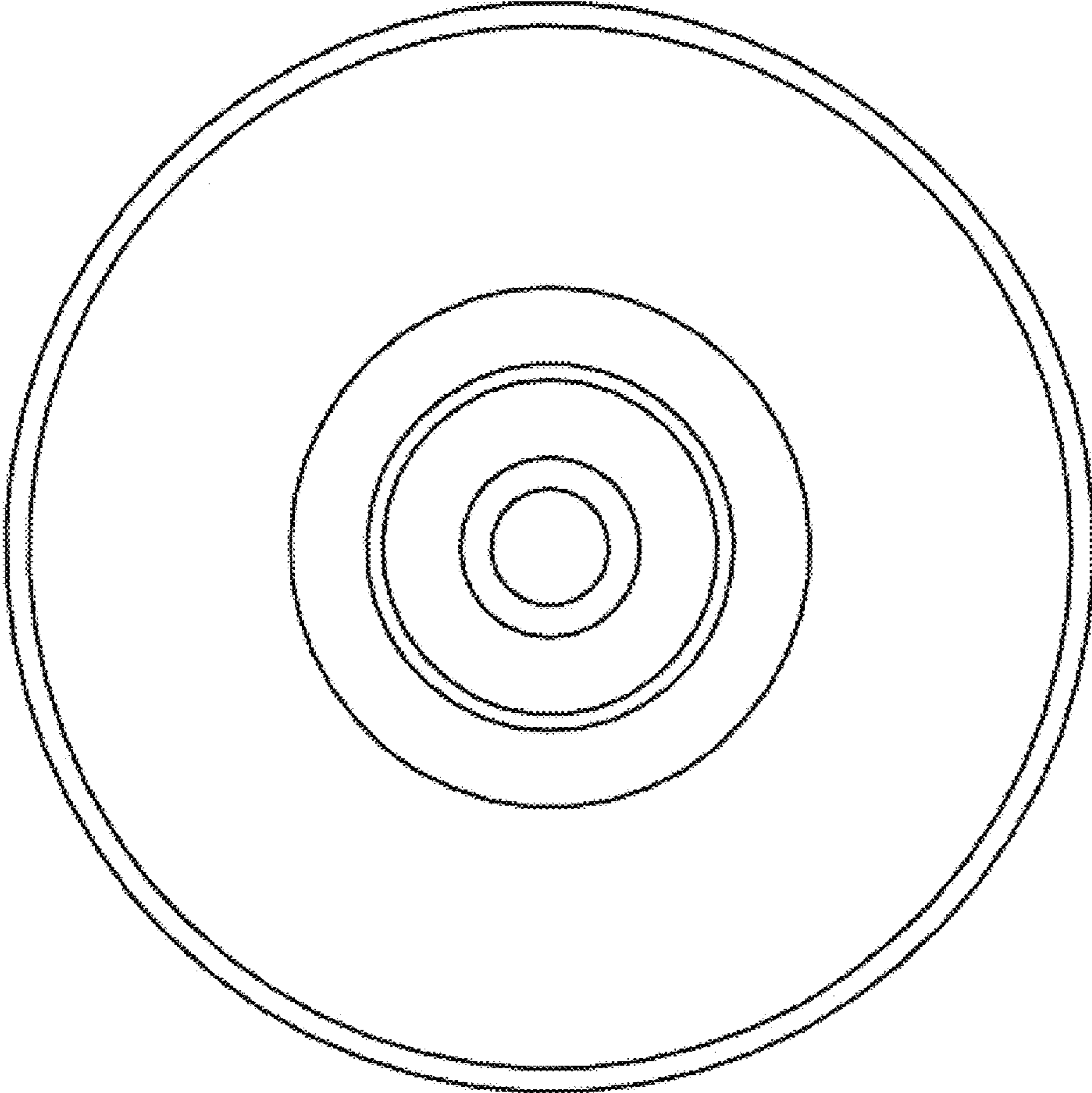


FIG. 3

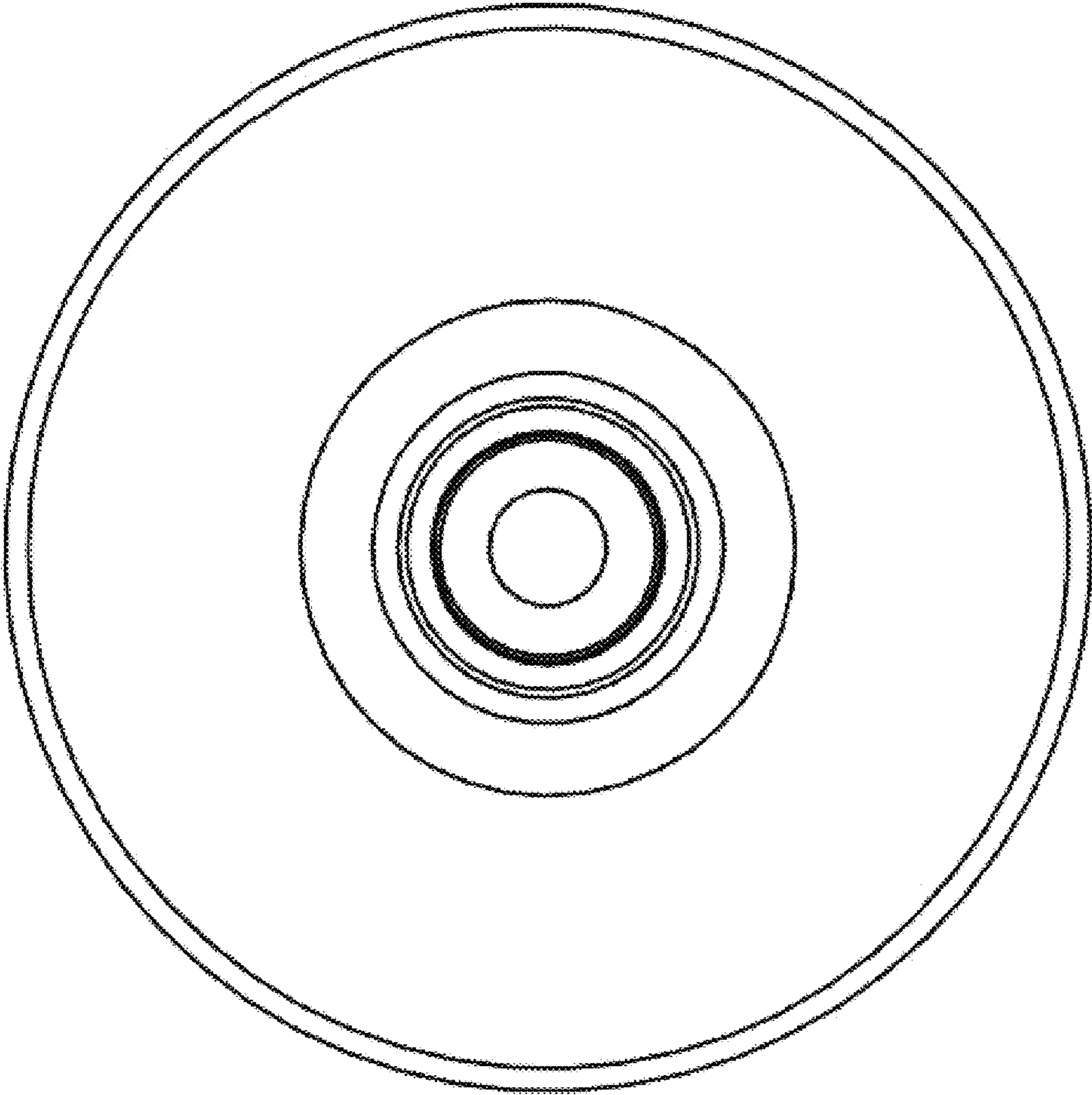


FIG. 4

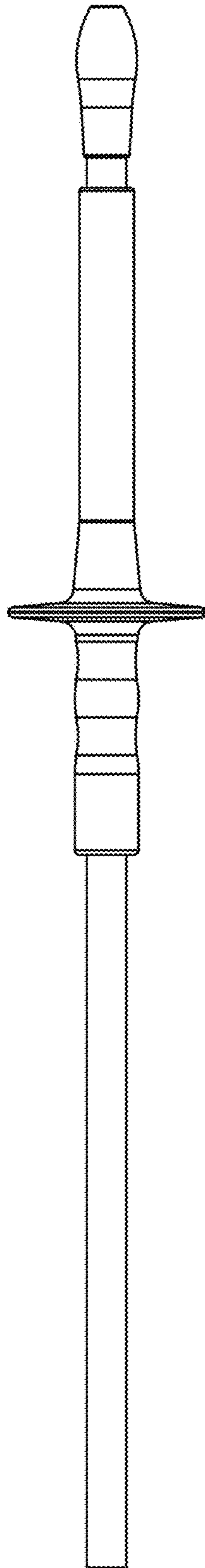


FIG. 5

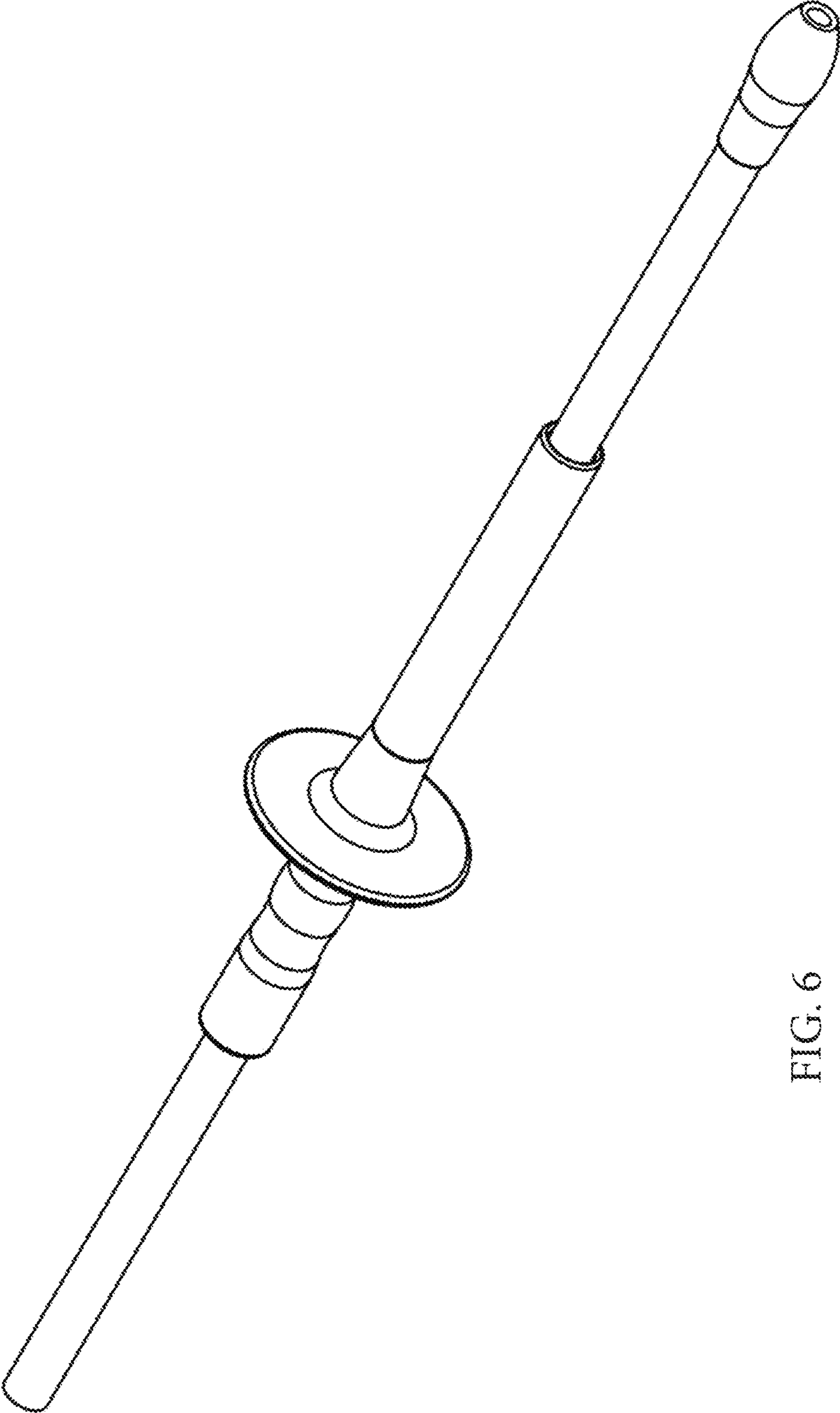


FIG. 6

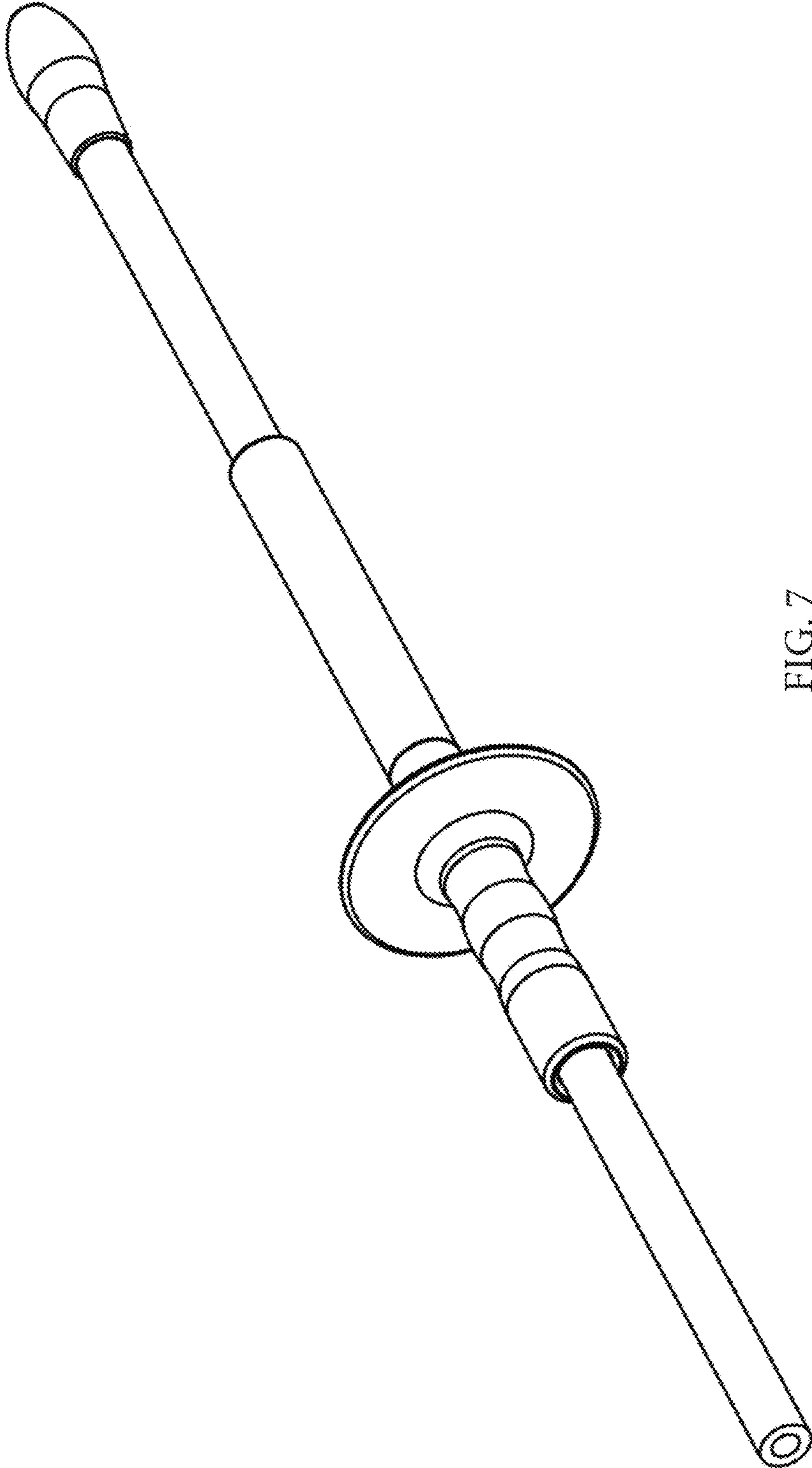


FIG. 7

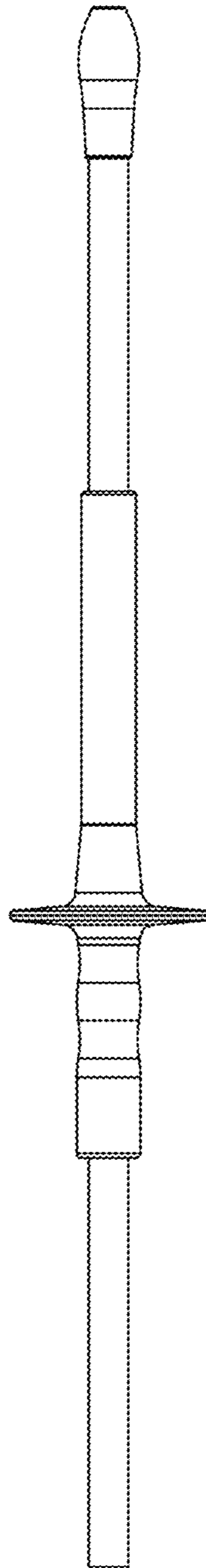


FIG. 8