



US00D792026S

(12) **United States Design Patent**  
**Chertoff et al.**

(10) **Patent No.:** **US D792,026 S**  
(45) **Date of Patent:** **\*\* Jul. 11, 2017**

(54) **COSMETIC COMPACT**

**DESCRIPTION**

(71) Applicant: **ELC Management LLC**, Melville, NY (US)  
(72) Inventors: **Jesse A. Chertoff**, Tenafly, NJ (US);  
**Irit A. Baniel**, Brooklyn, NY (US)  
(73) Assignee: **ELC MANAGEMENT LLC**, Melville, NY (US)  
(\*\*) Term: **15 Years**  
(21) Appl. No.: **29/566,637**  
(22) Filed: **Jun. 1, 2016**  
(51) **LOC (10) Cl.** ..... **28-03**  
(52) **U.S. Cl.**  
USPC ..... **D28/82**  
(58) **Field of Classification Search**  
USPC ..... D28/76-84, 64.1-64.7; D9/503-504  
CPC ..... A45D 33/00; A45D 33/006-33/16; A45D 33/18;  
A45D 33/20-33/24; A45D 34/00; A45D 34/007; A45D 40/00; A45D 40/0006;

(Continued)

(56) **References Cited**

**U.S. PATENT DOCUMENTS**

D56,210 S \* 8/1920 Vivaudou ..... D3/203.2  
D142,578 S \* 10/1945 Newport, Jr. .... D28/82  
(Continued)

**FOREIGN PATENT DOCUMENTS**

AU 157332 S 1/2005  
AU 331470 S 6/2010  
(Continued)

*Primary Examiner* — Jennifer Rivard

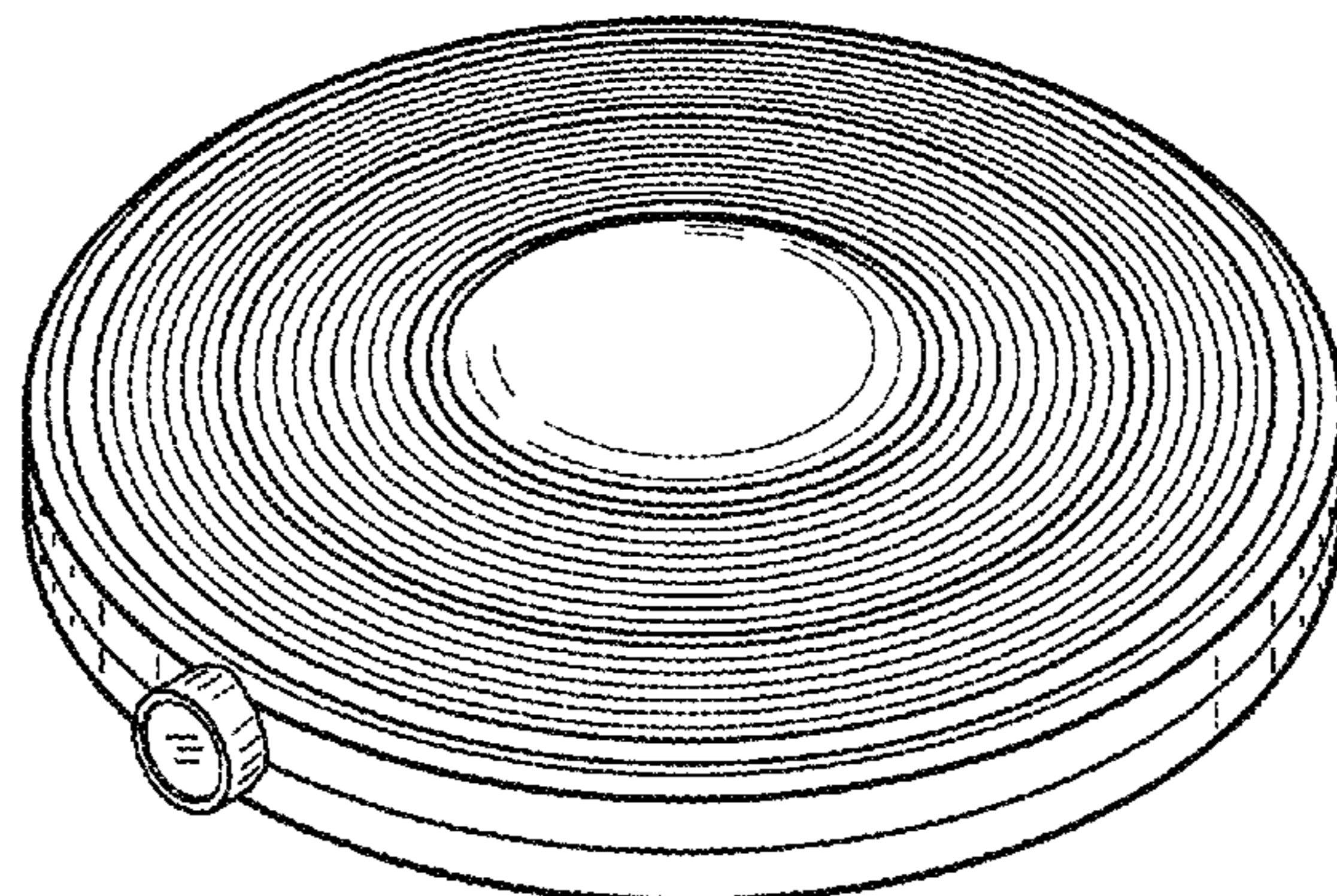
(74) *Attorney, Agent, or Firm* — Cynthia R. Miller

(57) **CLAIM**

The ornamental design for a cosmetic compact, as shown and described.

FIG. 1 is a top, perspective view of the first embodiment our new design for a cosmetic compact, shown in closed position;  
FIG. 2 is a top plan view of the cosmetic compact, shown in FIG. 1;  
FIG. 3 is a bottom plan view of the cosmetic compact, shown in FIG. 1;  
FIG. 4 is a left side elevation view of the cosmetic compact, shown in FIG. 1;  
FIG. 5 is a right side elevation view of the cosmetic compact, shown in FIG. 1;  
FIG. 6 is a front elevation view of the cosmetic compact, shown in FIG. 1;  
FIG. 7 is a rear elevation view of the cosmetic compact, shown in FIG. 1;  
FIG. 8 is a perspective view of the cosmetic compact, shown in FIG. 1, in open position;  
FIG. 9 is a top, perspective view of the second embodiment of our new design for a cosmetic compact, shown in closed position;  
FIG. 10 is a top plan view of the cosmetic compact, shown in FIG. 9;  
FIG. 11 is a bottom plan view of the cosmetic compact, shown in FIG. 9;  
FIG. 12 is a left side elevation view of the cosmetic compact, shown in FIG. 9;  
FIG. 13 is a right side elevation view of the cosmetic compact, shown in FIG. 9;  
FIG. 14 is a front elevation view of the cosmetic compact, shown in FIG. 9;  
FIG. 15 is a rear elevation view of the cosmetic compact, shown in FIG. 9; and,  
FIG. 16 is a perspective view of the cosmetic compact, shown in FIG. 9, in open position.  
The broken lines illustrate portions of the cosmetic compact and form no part of the claimed design.

**1 Claim, 10 Drawing Sheets**



(58) **Field of Classification Search**

CPC ..... A45D 40/0012; A45D 40/0018; A45D  
40/22-40/24; A45D 40/10; A45D 40/105;  
A45D 2200/05; A45D 2200/051  
See application file for complete search history.

(56) **References Cited**

U.S. PATENT DOCUMENTS

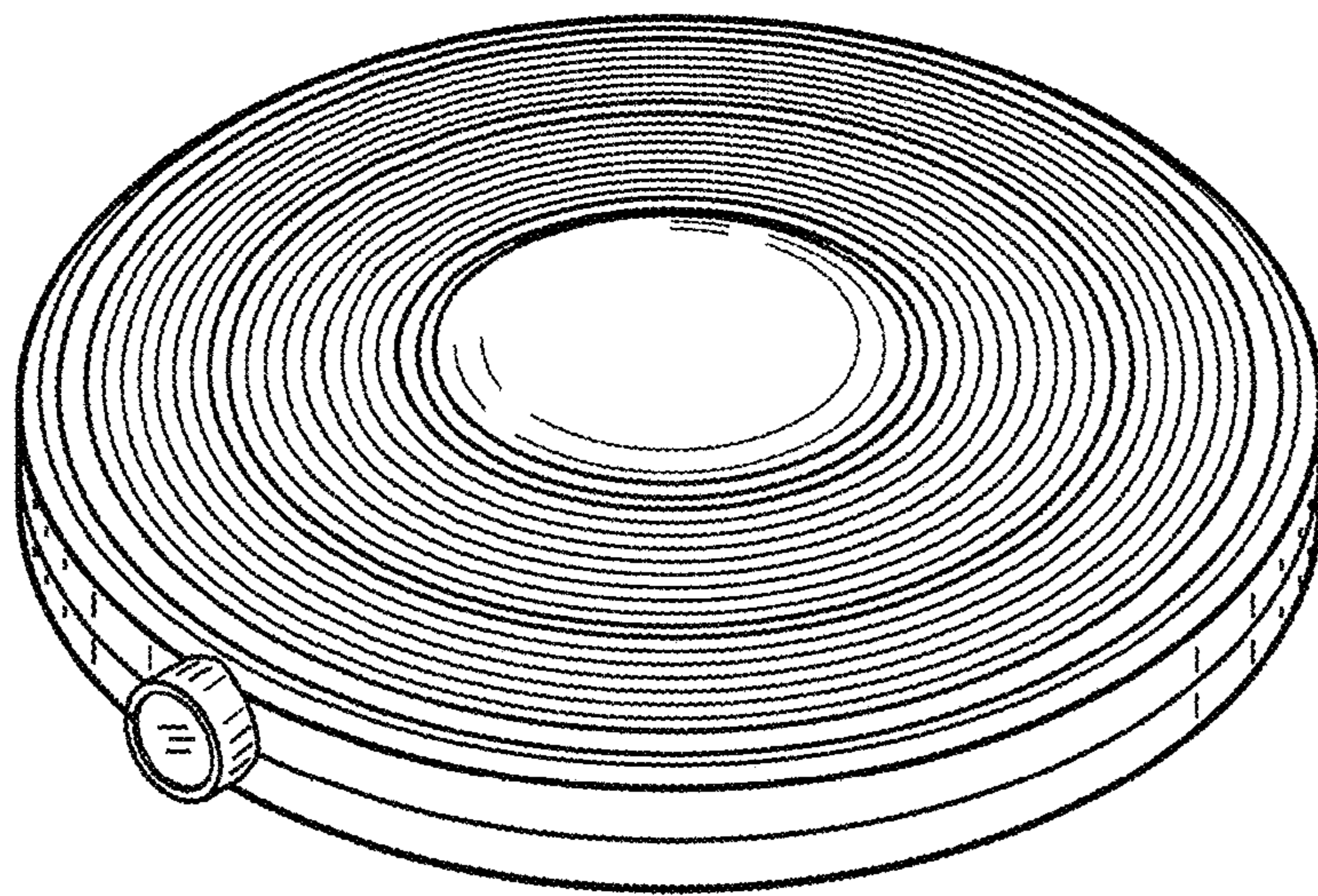
D144,517 S *	4/1946	Reilly .....	D28/82
D175,153 S *	7/1955	Breen .....	D28/82
D238,756 S *	2/1976	Swett .....	D28/78
D432,267 S	10/2000	Wardlaw	
D552,299 S *	10/2007	Kueth .....	D28/82

FOREIGN PATENT DOCUMENTS

EM	000536412-0005	8/2006
KR	300402174.0001	8/2006
KR	300534556.0000	7/2009
KR	300561192.0000	5/2010
TW	D137264	10/2010

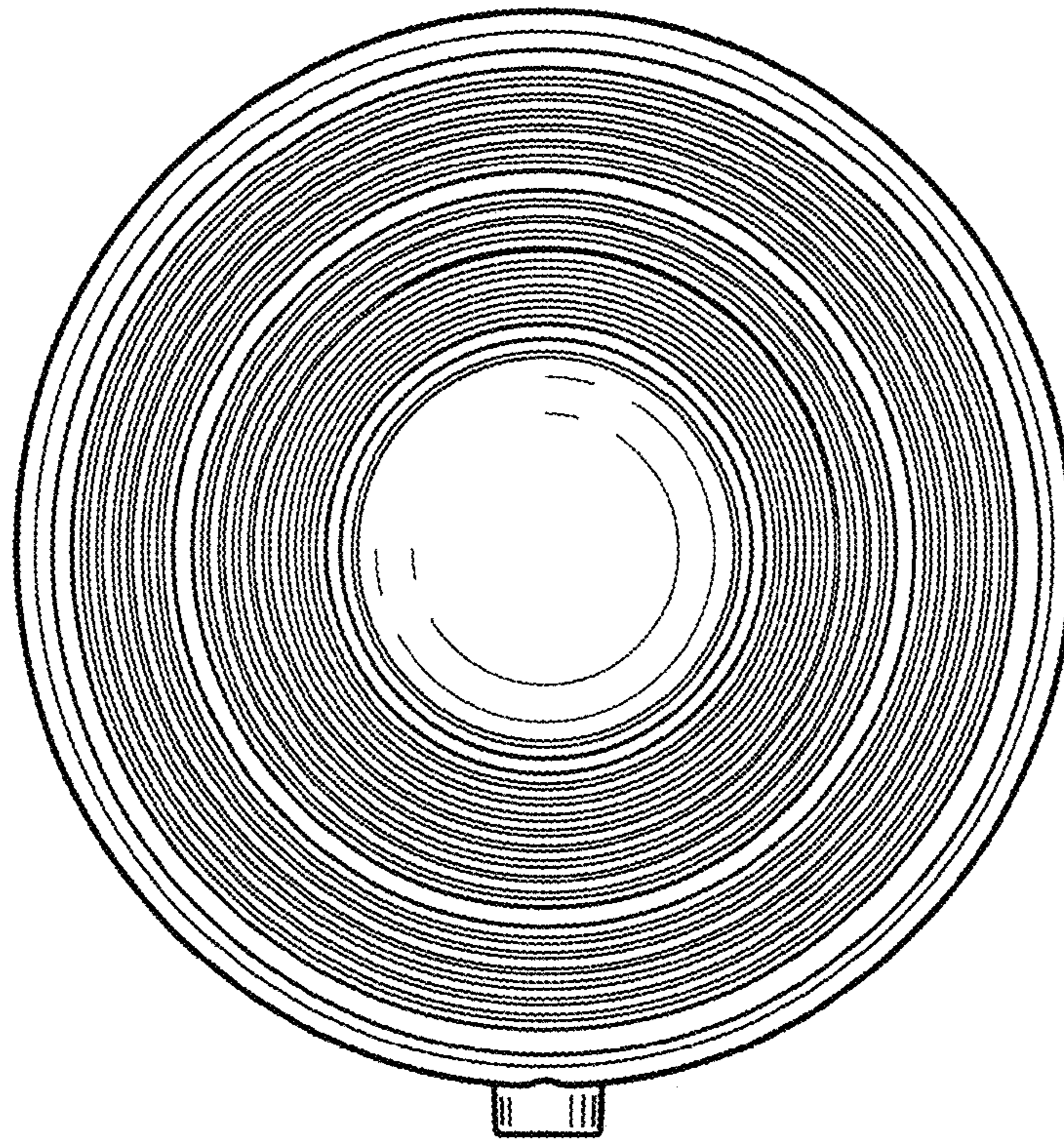
\* cited by examiner

**FIG. 1**

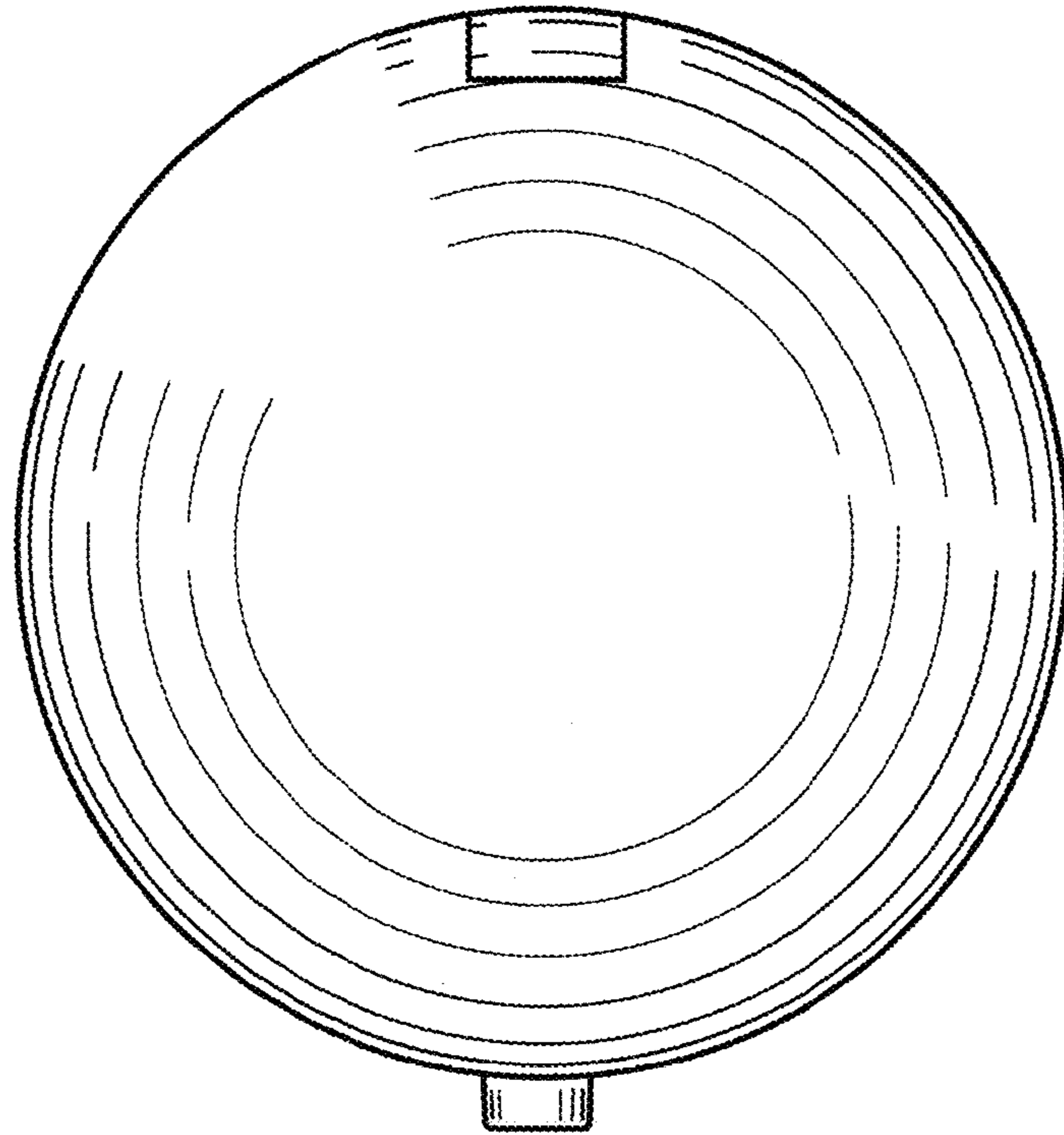




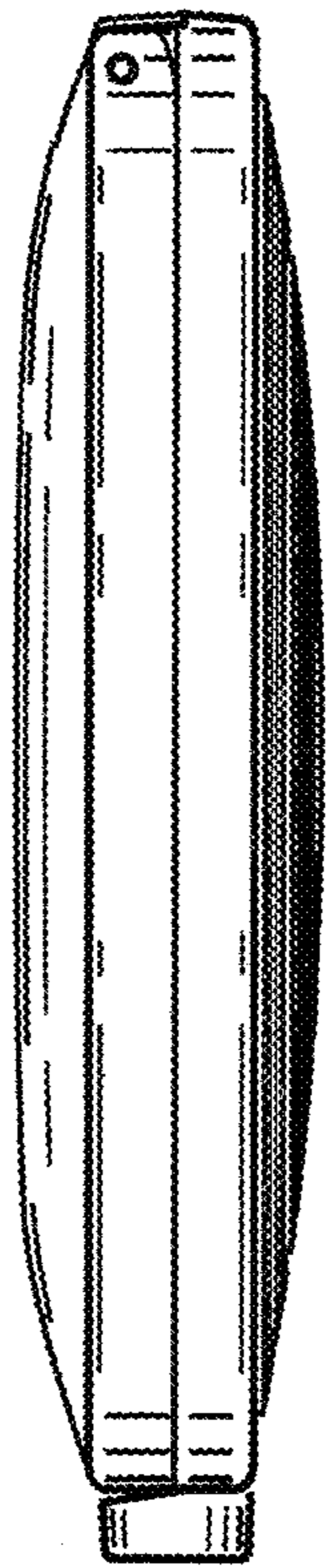
**FIG. 2**



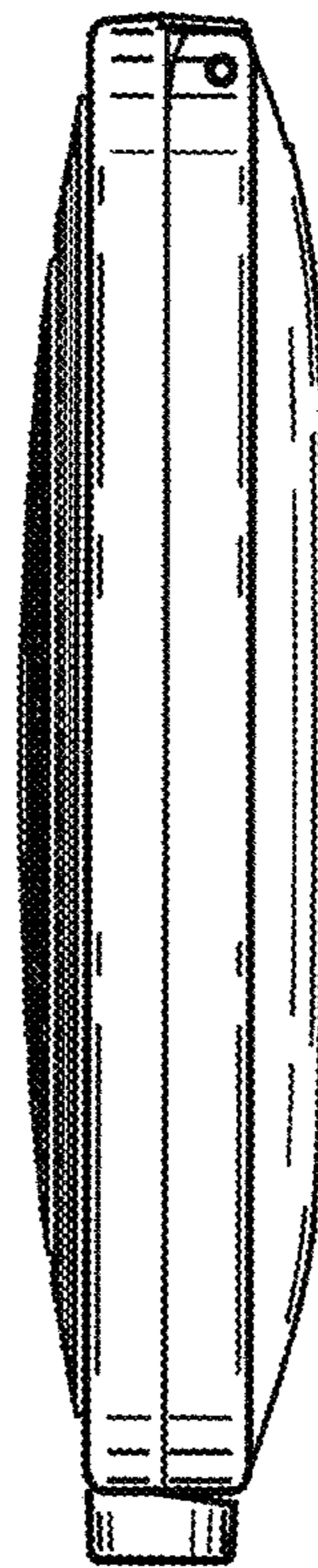
**FIG. 3**



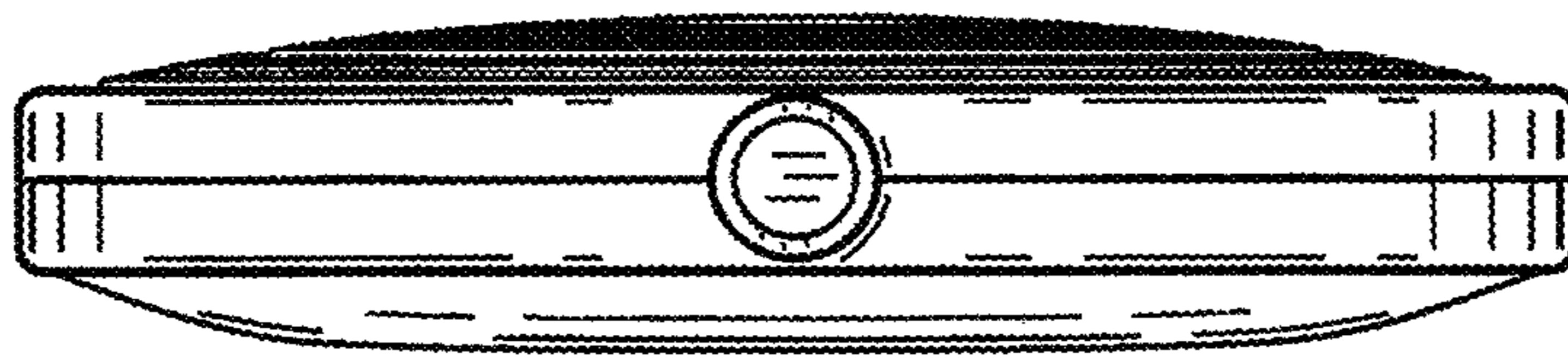
**FIG. 4**



**FIG. 5**



**FIG. 6**



**FIG. 7**

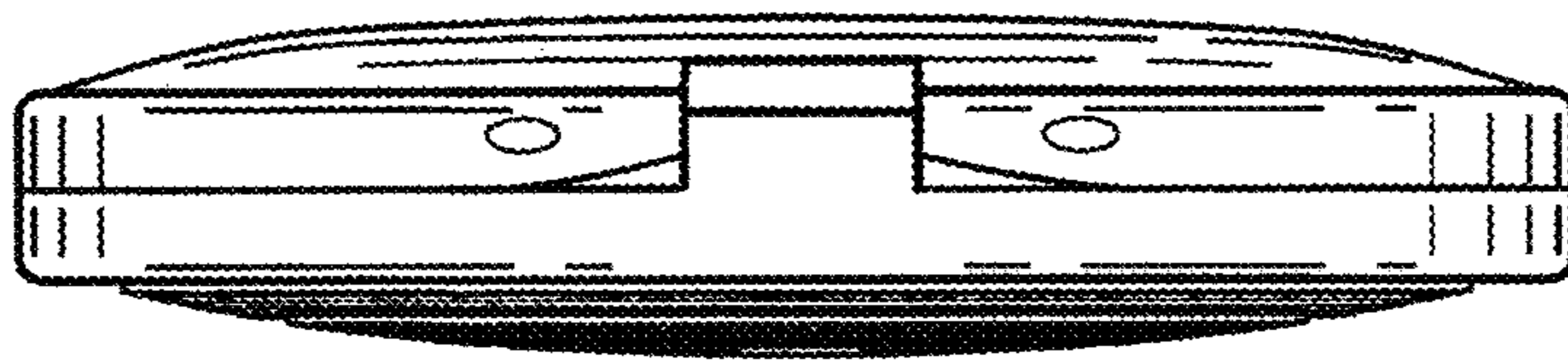
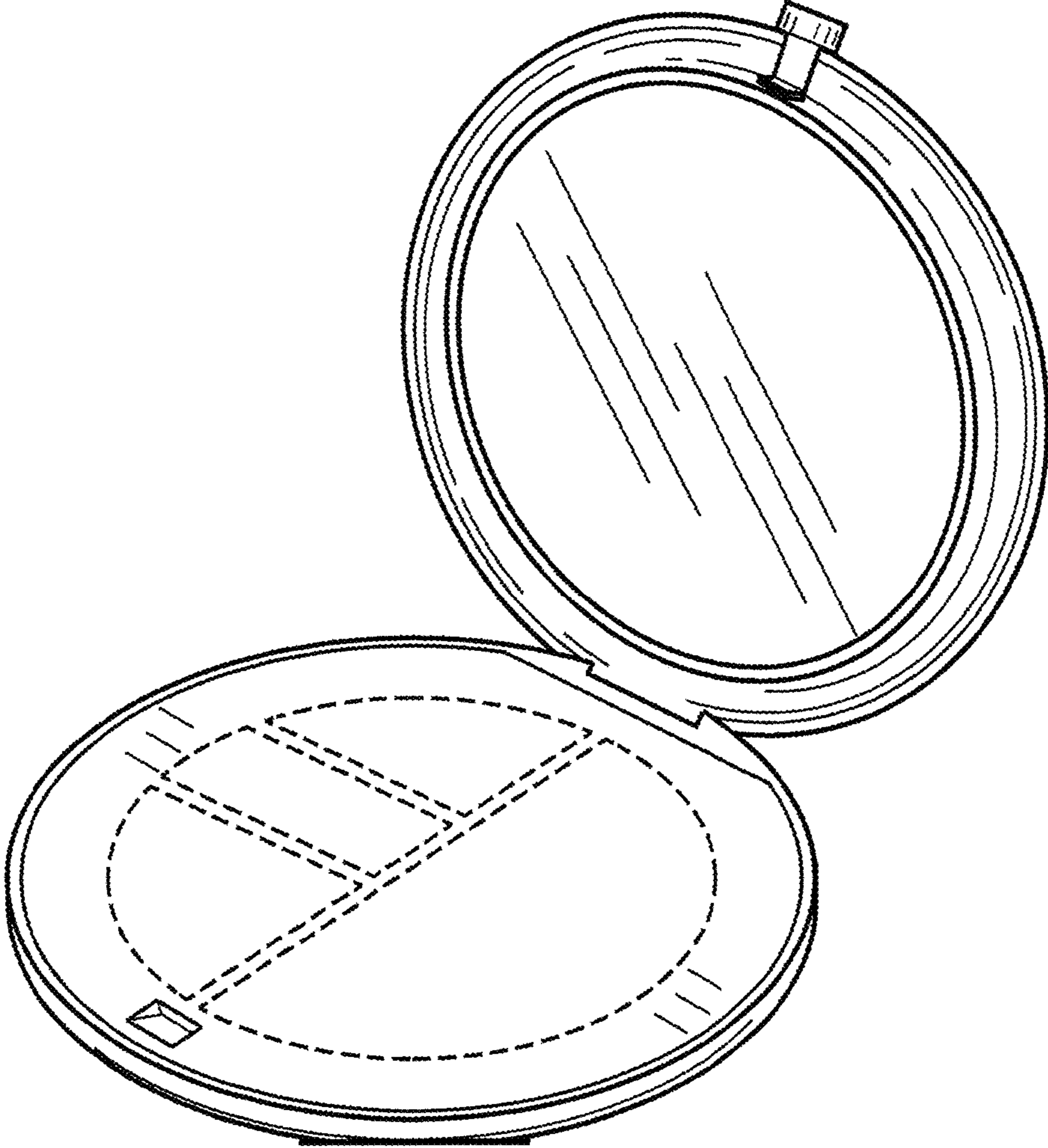


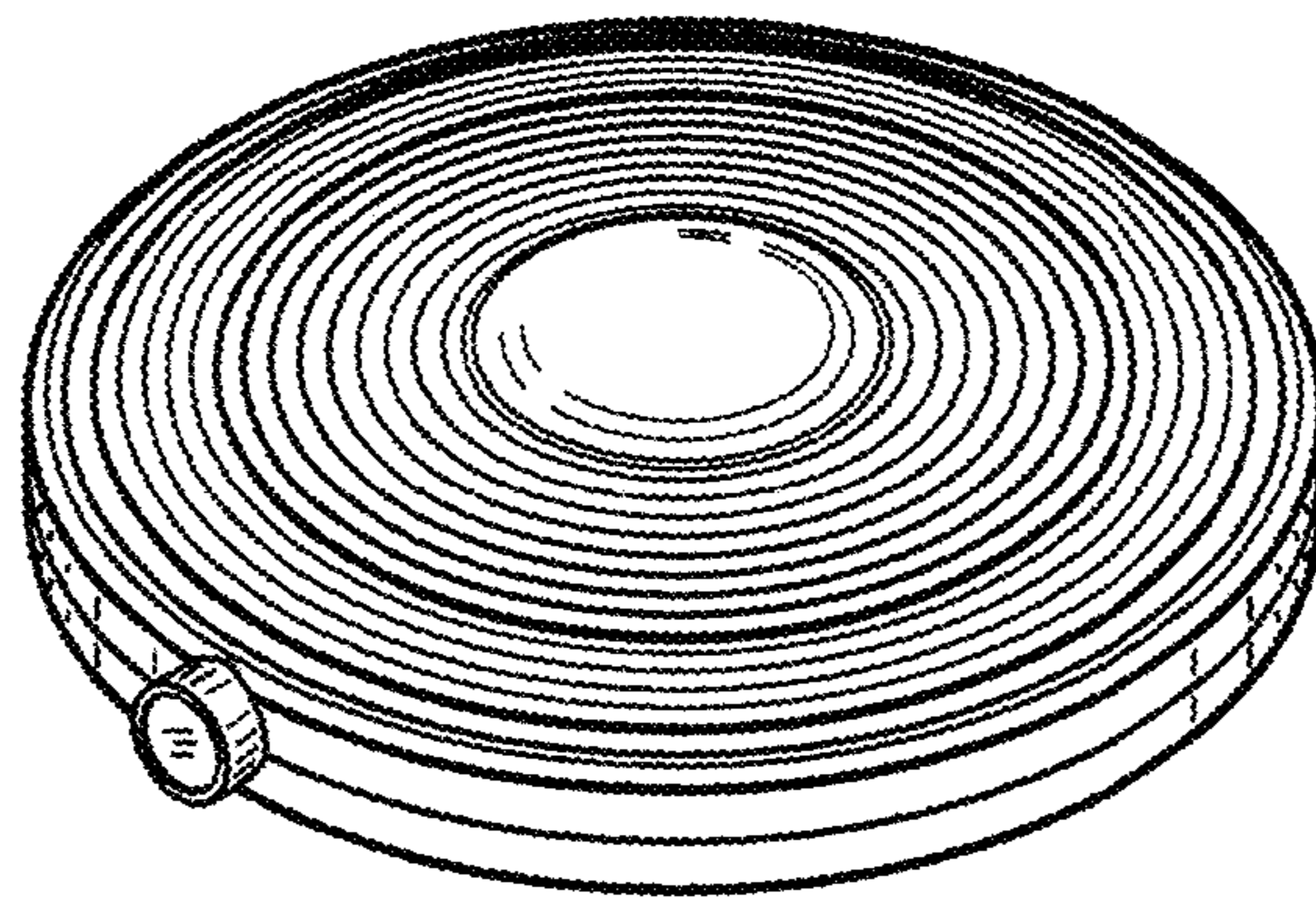


FIG. 8

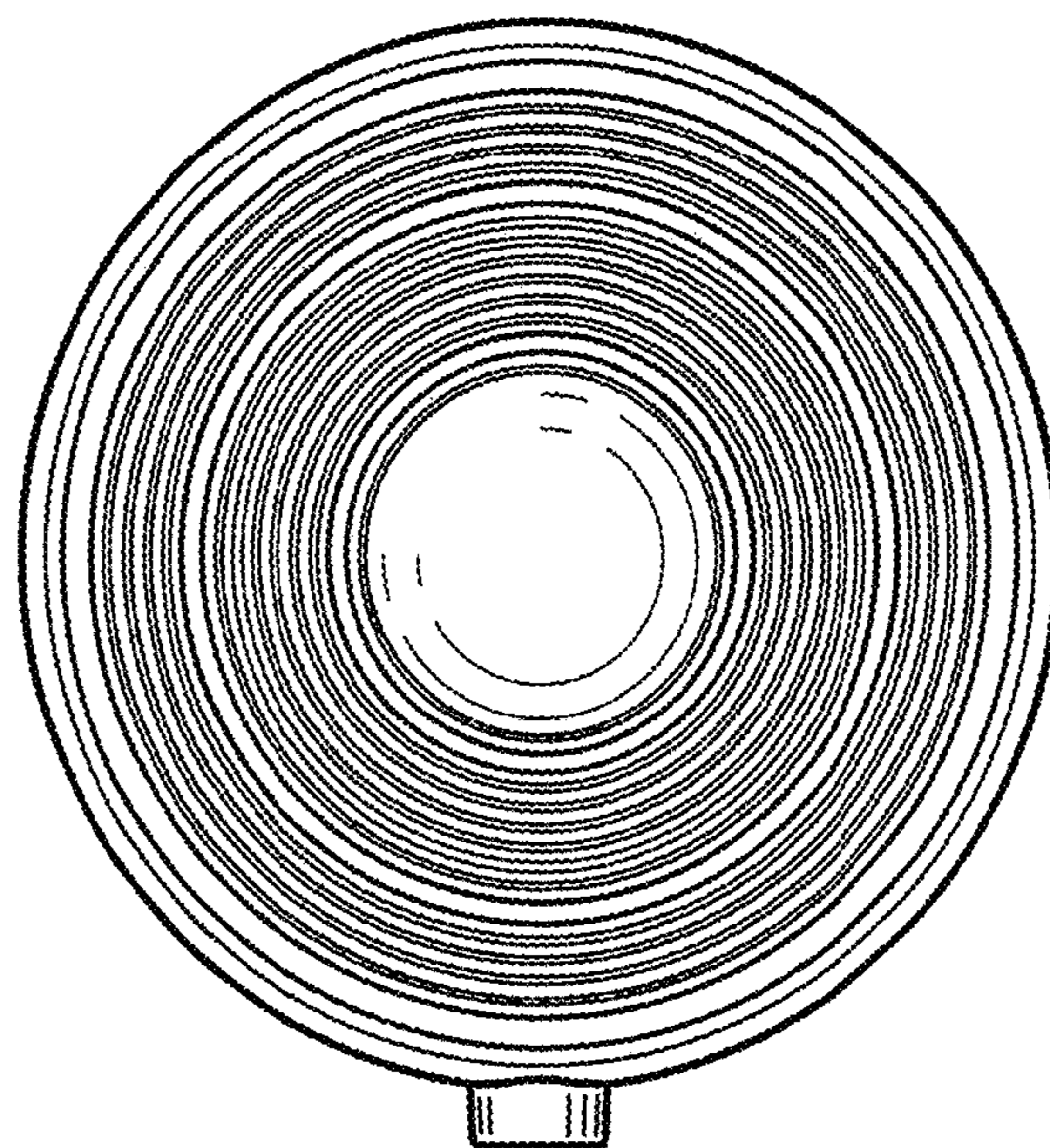




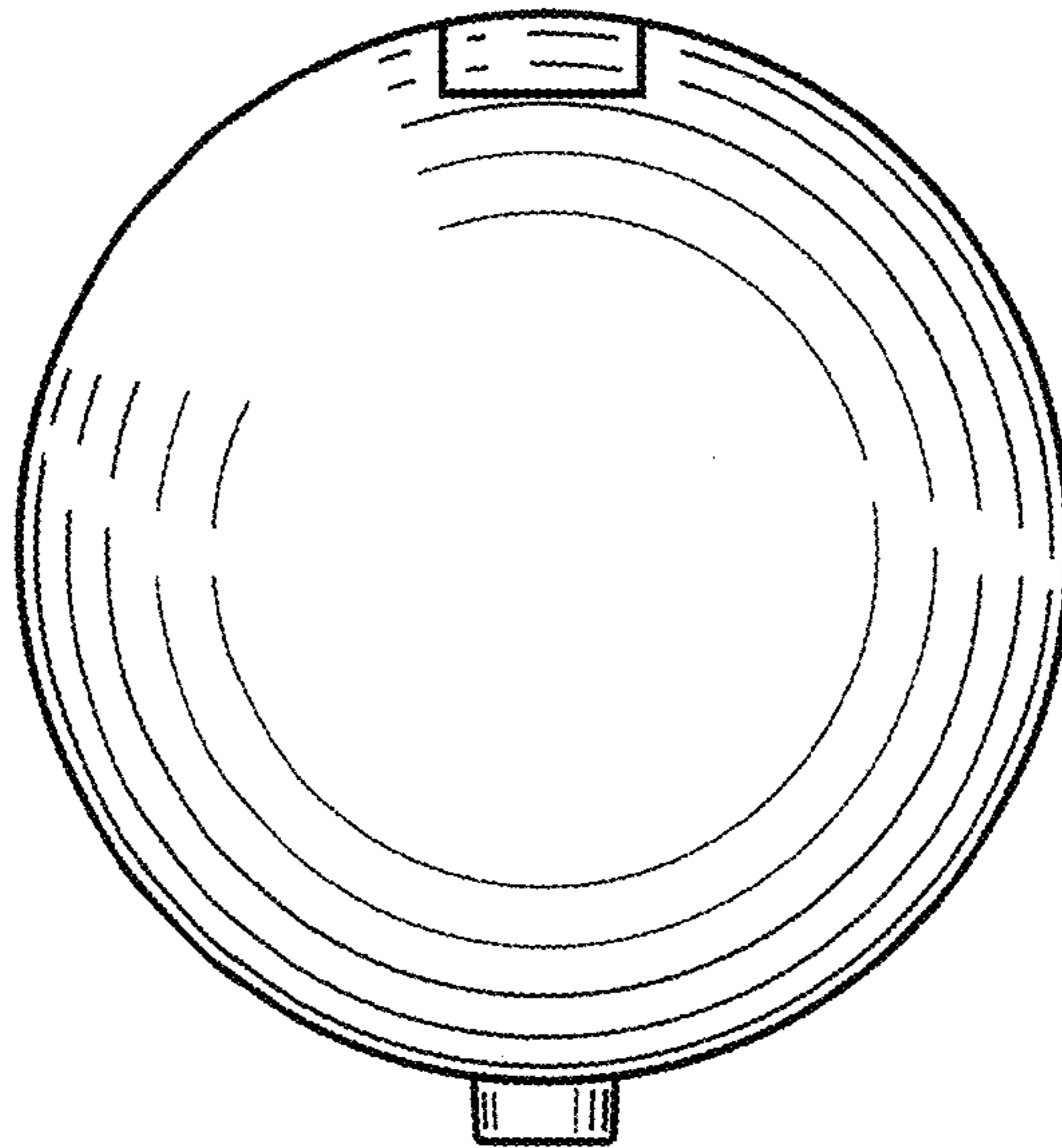
**FIG. 9**



**FIG. 10**



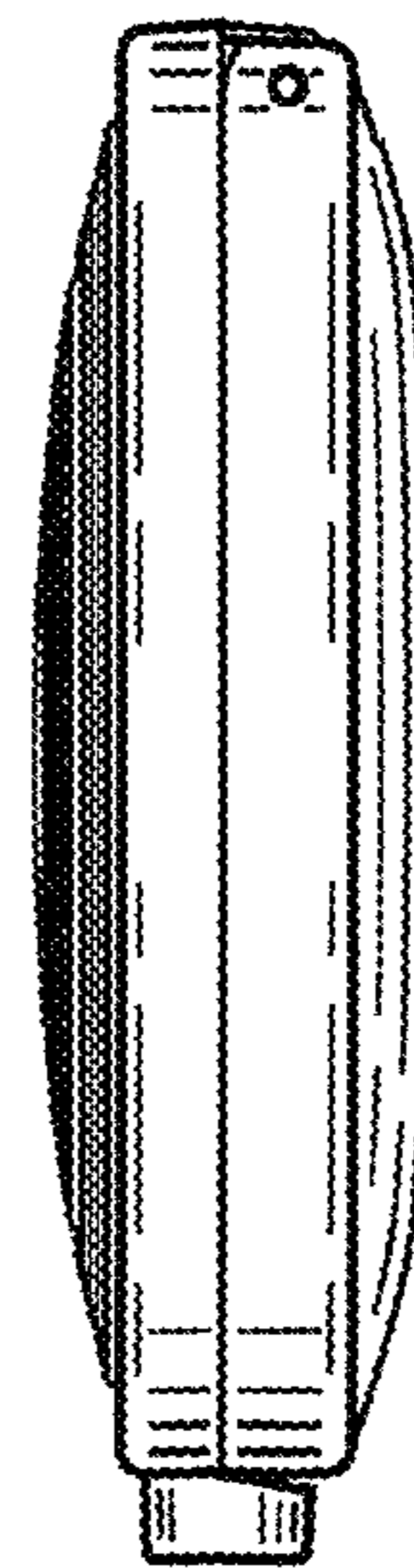
**FIG. 11**



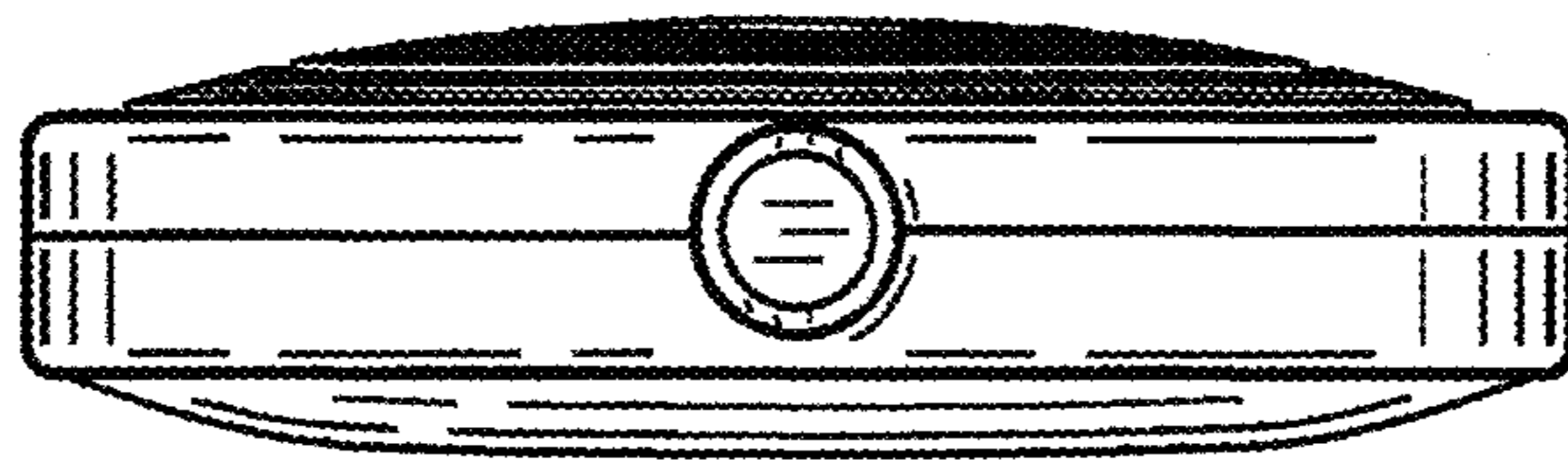
**FIG. 12**



**FIG. 13**



**FIG. 14**



**FIG. 15**

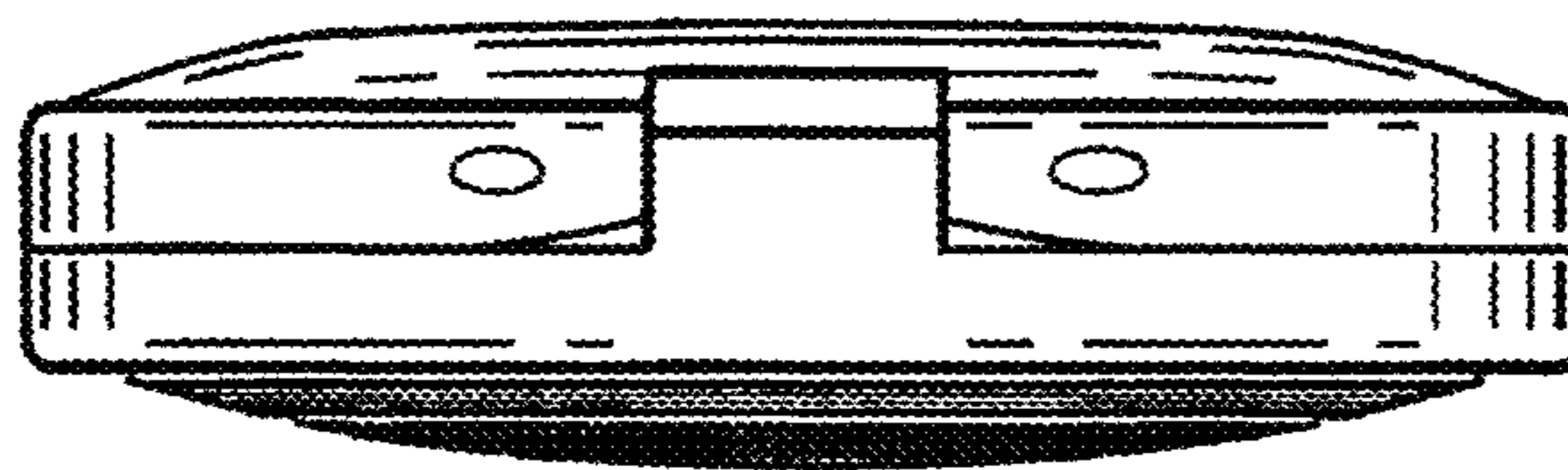


FIG. 16

