



US00D792018S

(12) **United States Design Patent**
Sonneman

(10) **Patent No.:** **US D792,018 S**

(45) **Date of Patent:** **** Jul. 11, 2017**

(54) **POWERBAR HANGER FOR LIGHT FIXTURES**

(71) Applicant: **Robert A. Sonneman**, Mamaroneck, NY (US)

(72) Inventor: **Robert A. Sonneman**, Mamaroneck, NY (US)

(**) Term: **15 Years**

(21) Appl. No.: **29/560,582**

(22) Filed: **Apr. 8, 2016**

(51) **LOC (10) Cl.** **26-05**

(52) **U.S. Cl.**
USPC **D26/138**

(58) **Field of Classification Search**

USPC ... D6/2, 3, 8, 23-27, 37, 38, 39, 40, 44, 46, D6/48, 49, 50, 60, 61, 63, 65, 67, 104, D6/113, 118, 119, 138, 140-145, 148, D6/152, 153, 155, 156; D8/382, 383, D8/390, 395; D10/111-115; D13/134, D13/179; D14/473; D25/126-135
CPC F21S 8/02; F21S 8/03; F21S 8/036; F21S 8/037; F21S 8/043; F21S 8/063; F21S 8/061; F21S 8/066; F21S 6/00; F21S 6/001; F21S 10/063; F21S 13/12; F21V 21/03; F21V 21/34; F21V 23/001

See application file for complete search history.

(56) **References Cited**

U.S. PATENT DOCUMENTS

D204,793 S *	5/1966	Rodriguez	D26/63
D244,793 S *	6/1977	Ruud	D26/107
D245,367 S *	8/1977	Franck	D26/111
D265,428 S *	7/1982	Eickmeyer	D26/63
D291,929 S *	9/1987	Kusmer	D26/138
D306,770 S *	3/1990	Miller	D26/63
D317,521 S *	6/1991	Fasth	D25/122
D321,469 S *	11/1991	Pettesch	D15/9.1

D341,671 S *	11/1993	Kuo	D26/64
D362,323 S *	9/1995	Kay	D26/140
D375,040 S *	10/1996	Miyashita	D8/382
D670,420 S *	11/2012	Hui	D26/51
D779,715 S *	2/2017	Sonneman	D26/138

* cited by examiner

Primary Examiner — Cathron Brooks

Assistant Examiner — Richard Kearney

(74) *Attorney, Agent, or Firm* — Gottlieb, Rackman & Reisman, P.C.

(57) **CLAIM**

The ornamental design for a powerbar hanger for light fixtures, as shown and described.

DESCRIPTION

FIG. 1 is a front elevation view of a powerbar hanger for light fixtures showing my new design, the rear view being a mirror image;

FIG. 2 is a right side elevational view thereof, the left side being a mirror image;

FIG. 3 is a top plan view thereof, the bottom plan view being a mirror image;

FIG. 4 is a front elevational view of a second embodiment of my new design, the rear elevational view being a mirror image;

FIG. 5 is a right side elevational view thereof, the left side being a mirror image;

FIG. 6 is a top plan view thereof; and,

FIG. 7 is a bottom plan view thereof.

The broken lines shown in the drawings are included for the purpose of illustrating portions of the article that form no part of the claimed design.

The powerbar hanger for light fixtures has been shown with symbolic break lines in its length. The appearance of any portion of the article between the break lines forms no part of the claimed design.

1 Claim, 2 Drawing Sheets

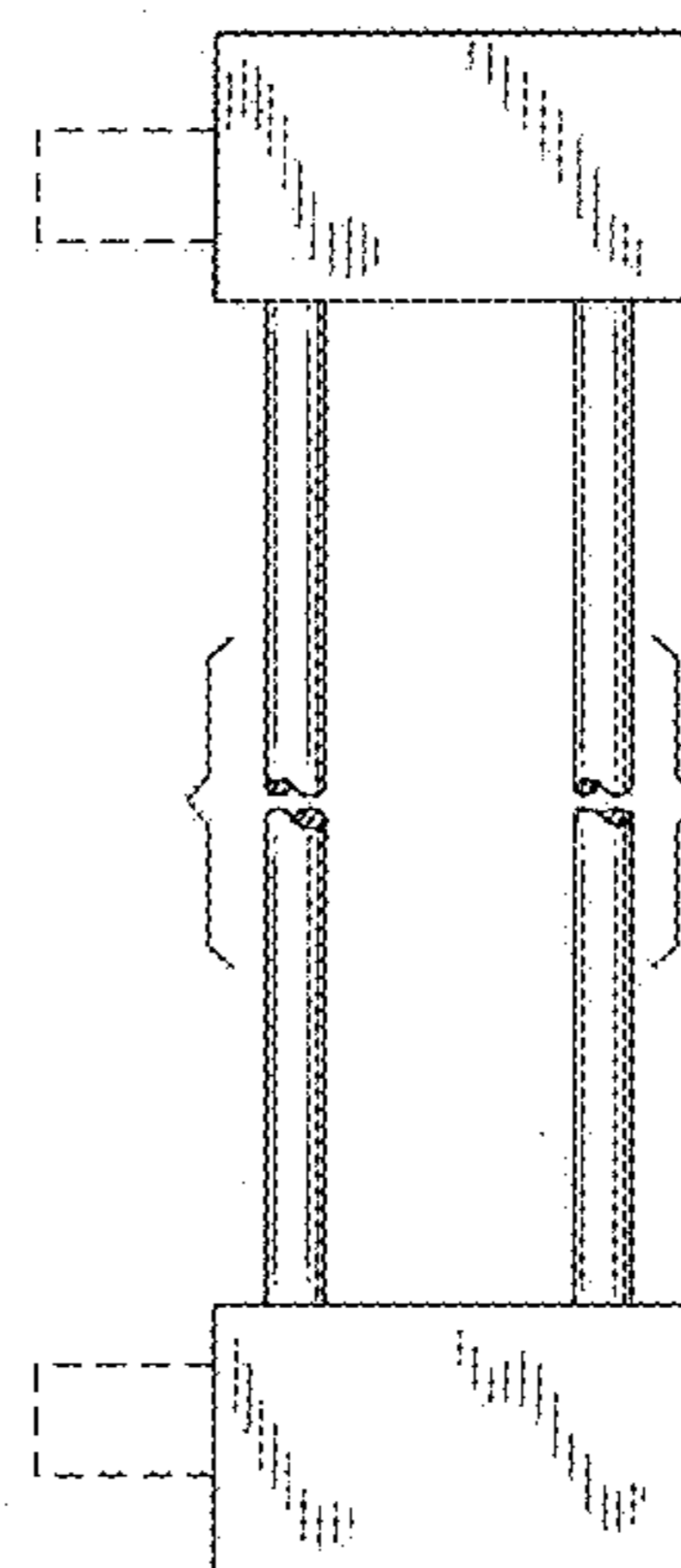
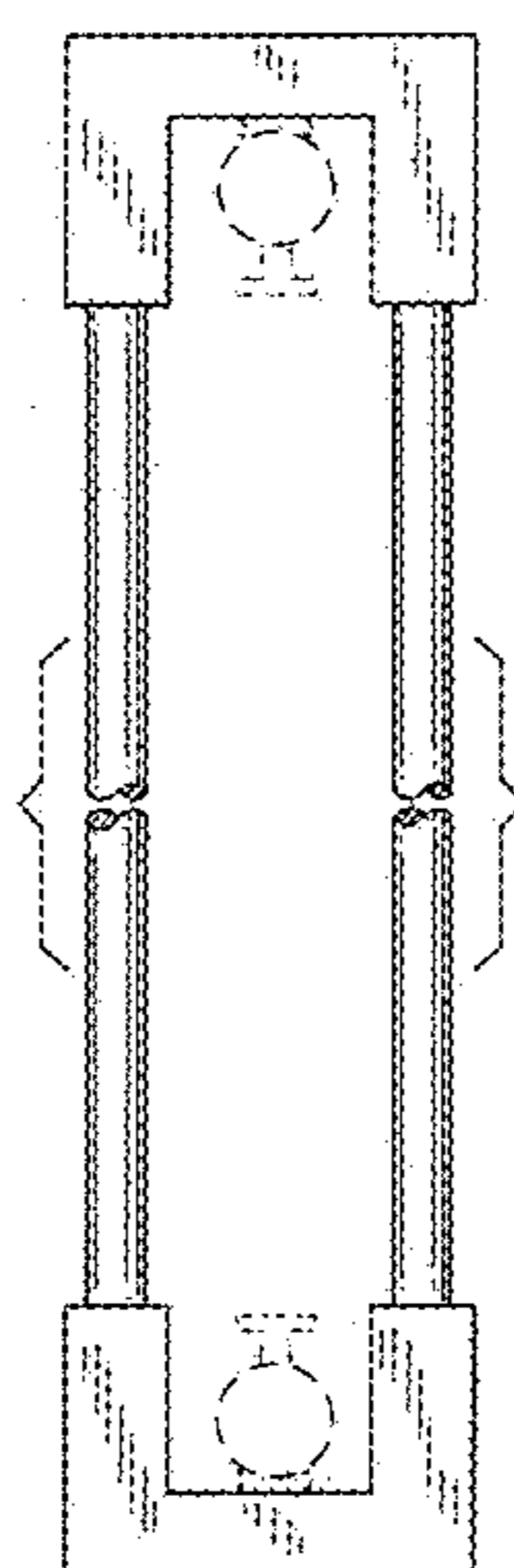


FIG. 1

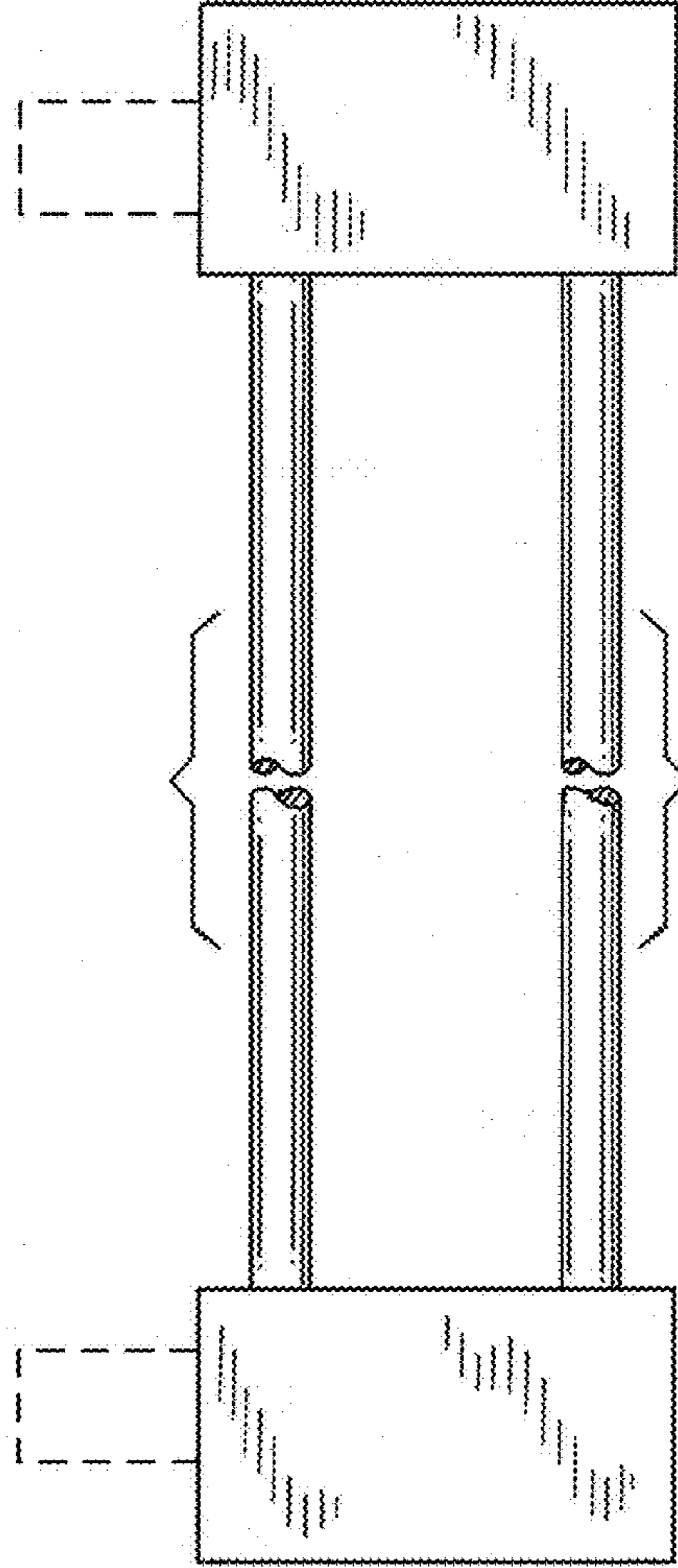
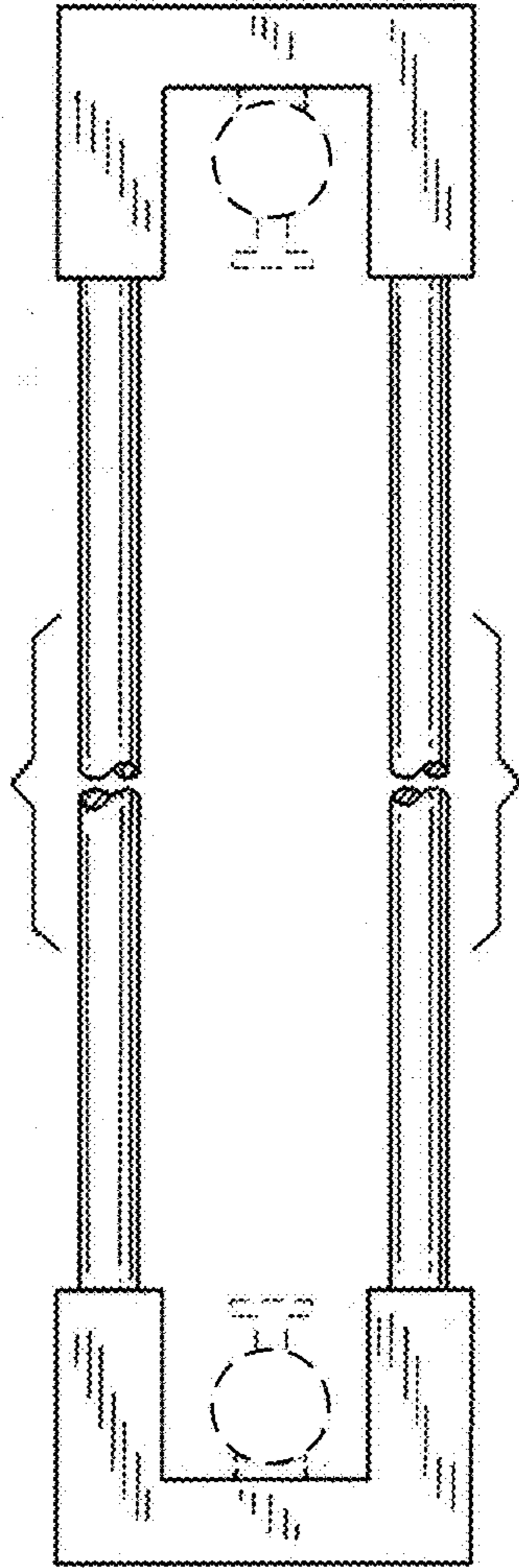


FIG. 2

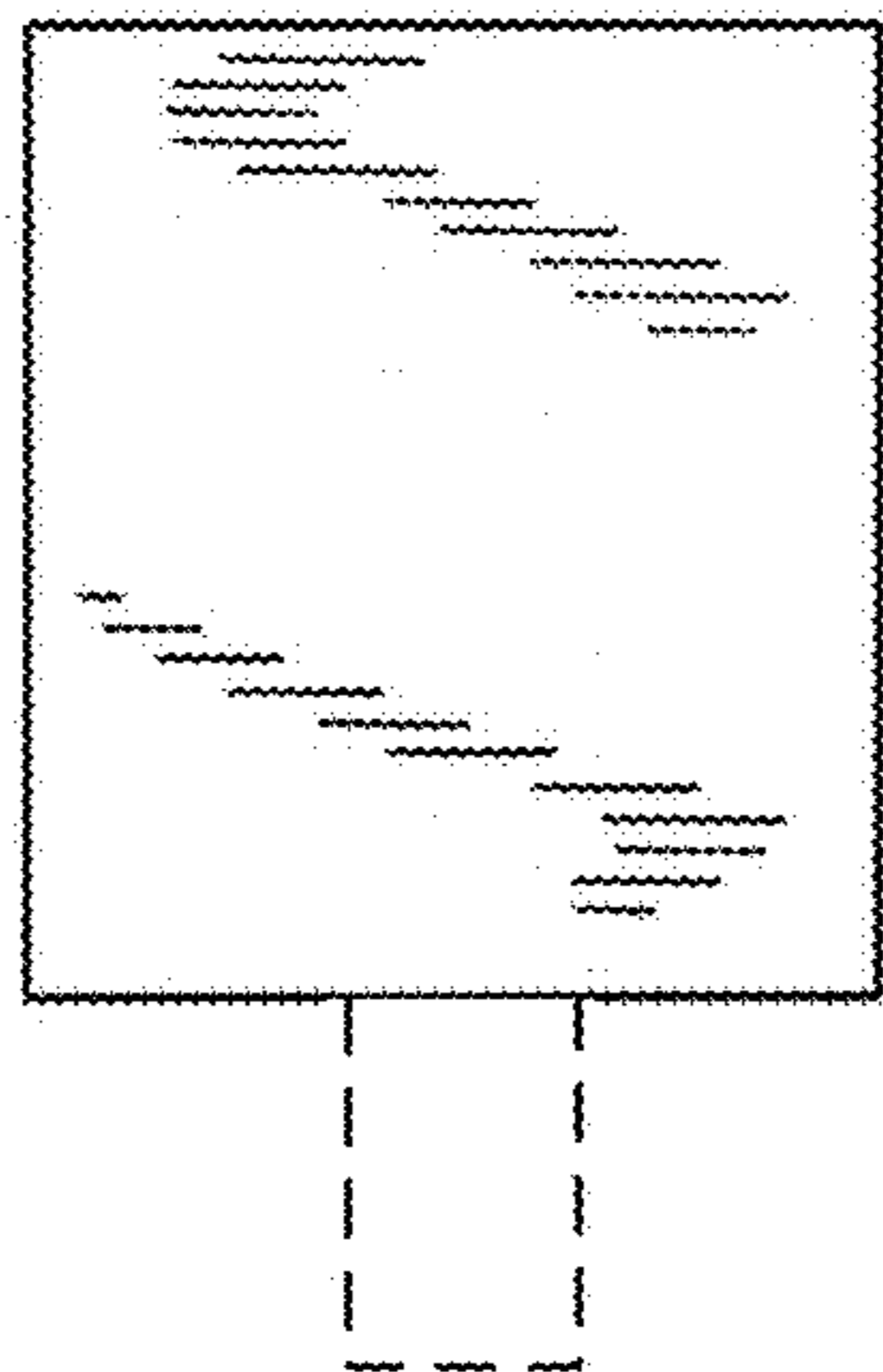


FIG. 3

