



US00D792017S

(12) **United States Design Patent**
Klus

(10) **Patent No.:** **US D792,017 S**

(45) **Date of Patent:** **** Jul. 11, 2017**

(54) **HOUSING FOR A LED BASED LIGHTING APPARATUS**

(71) Applicant: **Sylwester Klus**, Kamionka (PL)

(72) Inventor: **Sylwester Klus**, Kamionka (PL)

(**) Term: **14 Years**

(21) Appl. No.: **29/520,657**

(22) Filed: **Mar. 17, 2015**

(51) **LOC (10) Cl.** **26-05**

(52) **U.S. Cl.**
USPC **D26/138**; D26/141

(58) **Field of Classification Search**
USPC D26/24–27, 37, 67, 72, 74–76, 80, 85,
D26/89, 104, 108, 118, 120, 121, 122,
D26/132, 138, 141, 142, 152, 154, 155;
D13/139, 180; D25/60, 119
CPC F21S 6/00; F21S 8/00; F21V 1/02
See application file for complete search history.

(56) **References Cited**

U.S. PATENT DOCUMENTS

| | | | | |
|----------------|---------|--------------|-------|-----------------------|
| D162,843 S * | 4/1951 | Klein | | D25/119 |
| D315,832 S * | 4/1991 | Rocheleau | | D13/179 |
| D338,449 S * | 8/1993 | Sahyoun | | D13/179 |
| D394,595 S * | 5/1998 | Walsh | | D25/119 |
| D445,211 S * | 7/2001 | Baker | | D25/124 |
| D488,243 S * | 4/2004 | Babka | | D25/119 |
| 7,383,670 B1 * | 6/2008 | Meyers | | E04F 13/081 156/71 |
| D581,376 S * | 11/2008 | Shaner | | D13/179 |
| D606,501 S * | 12/2009 | Plonski | | D13/179 |
| D616,568 S * | 5/2010 | Desrosiers | | D25/122 |
| D651,739 S * | 1/2012 | Trzesniowski | | D26/138 |
| D652,568 S * | 1/2012 | Trzesniowski | | D26/138 |
| D652,569 S * | 1/2012 | Trzesniowski | | D26/138 |
| D652,985 S * | 1/2012 | Trzesniowski | | D26/138 |
| D652,986 S * | 1/2012 | Trzesniowski | | D26/138 |
| D662,255 S * | 6/2012 | Klu | | D26/138 |

| | | | | |
|--------------|---------|---------|-------|---------|
| D662,256 S * | 6/2012 | Klu | | D26/138 |
| D662,653 S * | 6/2012 | Hochman | | D26/138 |
| D666,310 S * | 8/2012 | Zhao | | D25/124 |
| D666,311 S * | 8/2012 | Zhao | | D25/124 |
| D666,321 S * | 8/2012 | Morton | | D25/119 |
| D695,422 S * | 12/2013 | Krieger | | D25/119 |
| D695,953 S * | 12/2013 | Klu | | D26/138 |
| D695,955 S * | 12/2013 | Klus | | D26/138 |
| D705,982 S * | 5/2014 | Klus | | D26/138 |
| D705,983 S * | 5/2014 | Klus | | D26/138 |
| D705,984 S * | 5/2014 | Klus | | D26/138 |
| D724,256 S * | 3/2015 | Klus | | D26/141 |
| D724,257 S * | 3/2015 | Klus | | D26/141 |
| D724,258 S * | 3/2015 | Klus | | D26/141 |
| D724,259 S * | 3/2015 | Klus | | D26/141 |
| D724,260 S * | 3/2015 | Klus | | D26/141 |
| D724,261 S * | 3/2015 | Klus | | D26/141 |

(Continued)

Primary Examiner — John Windmuller
Assistant Examiner — Benjamin Weeks
(74) *Attorney, Agent, or Firm* — Mark Terry

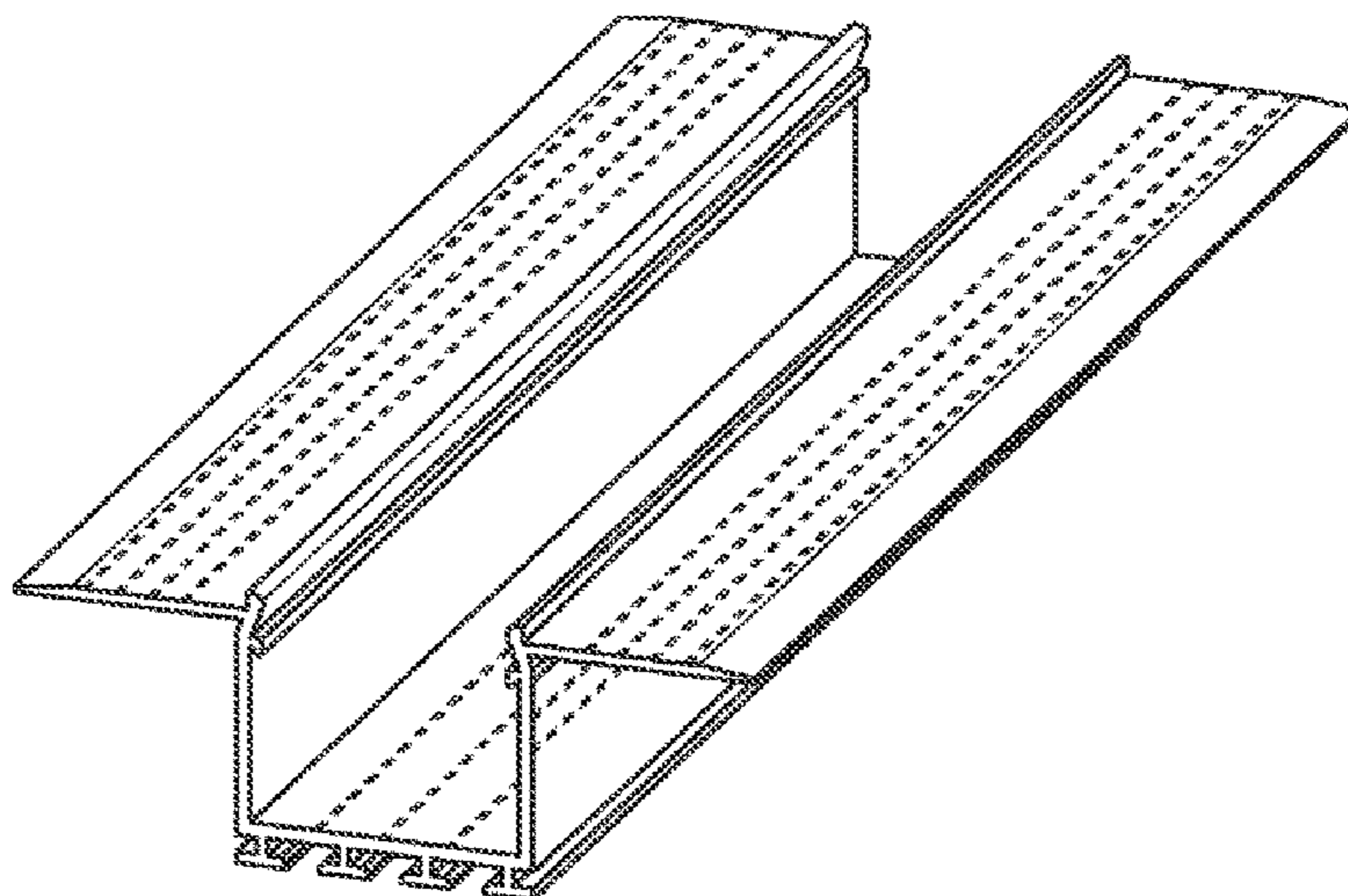
(57) **CLAIM**

The ornamental design for housing for a LED based lighting apparatus, as shown and described.

DESCRIPTION

FIG. 1 is a bottom perspective view of a housing for a LED based lighting apparatus, showing the new design; FIG. 2 is a front perspective view thereof; FIG. 3 is a left side view thereof; FIG. 4 is a top view thereof; FIG. 5 is a left side view thereof; FIG. 6 is a bottom view thereof; FIG. 7 is a rear view thereof; and, FIG. 8 is a right side view thereof. The broken lines in the drawings illustrate portions of the housing for a LED based lighting apparatus which form no part of the claimed design.

1 Claim, 3 Drawing Sheets



(56)

References Cited

U.S. PATENT DOCUMENTS

| | | | | | |
|--------------|------|---------|-------|-------|------------|
| D731,704 | S * | 6/2015 | Klus | | D26/138 |
| D733,353 | S * | 6/2015 | Klus | | D26/138 |
| D733,354 | S * | 6/2015 | Klus | | D26/138 |
| D733,355 | S * | 6/2015 | Klus | | D26/138 |
| D751,248 | S * | 3/2016 | Klus | | D26/138 |
| D757,993 | S * | 5/2016 | Klus | | D26/138 |
| 2009/0316391 | A1 * | 12/2009 | Huang | | A47F 3/001 |
| | | | | | 362/133 |
| 2014/0078758 | A1 * | 3/2014 | Foti | | F21S 8/043 |
| | | | | | 362/418 |
| 2016/0061395 | A1 * | 3/2016 | White | | F21S 4/003 |
| | | | | | 362/147 |

* cited by examiner

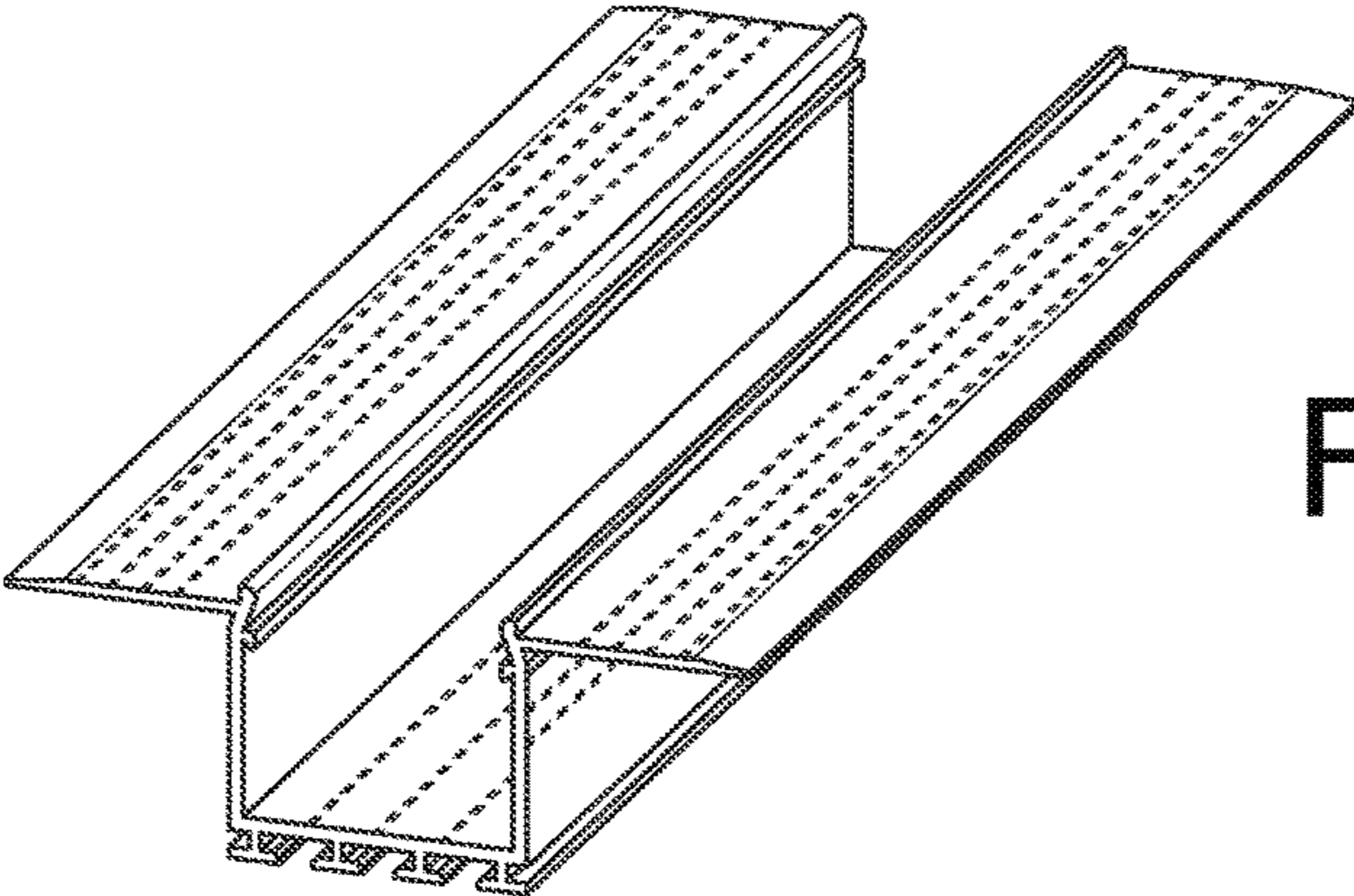


Fig. 1

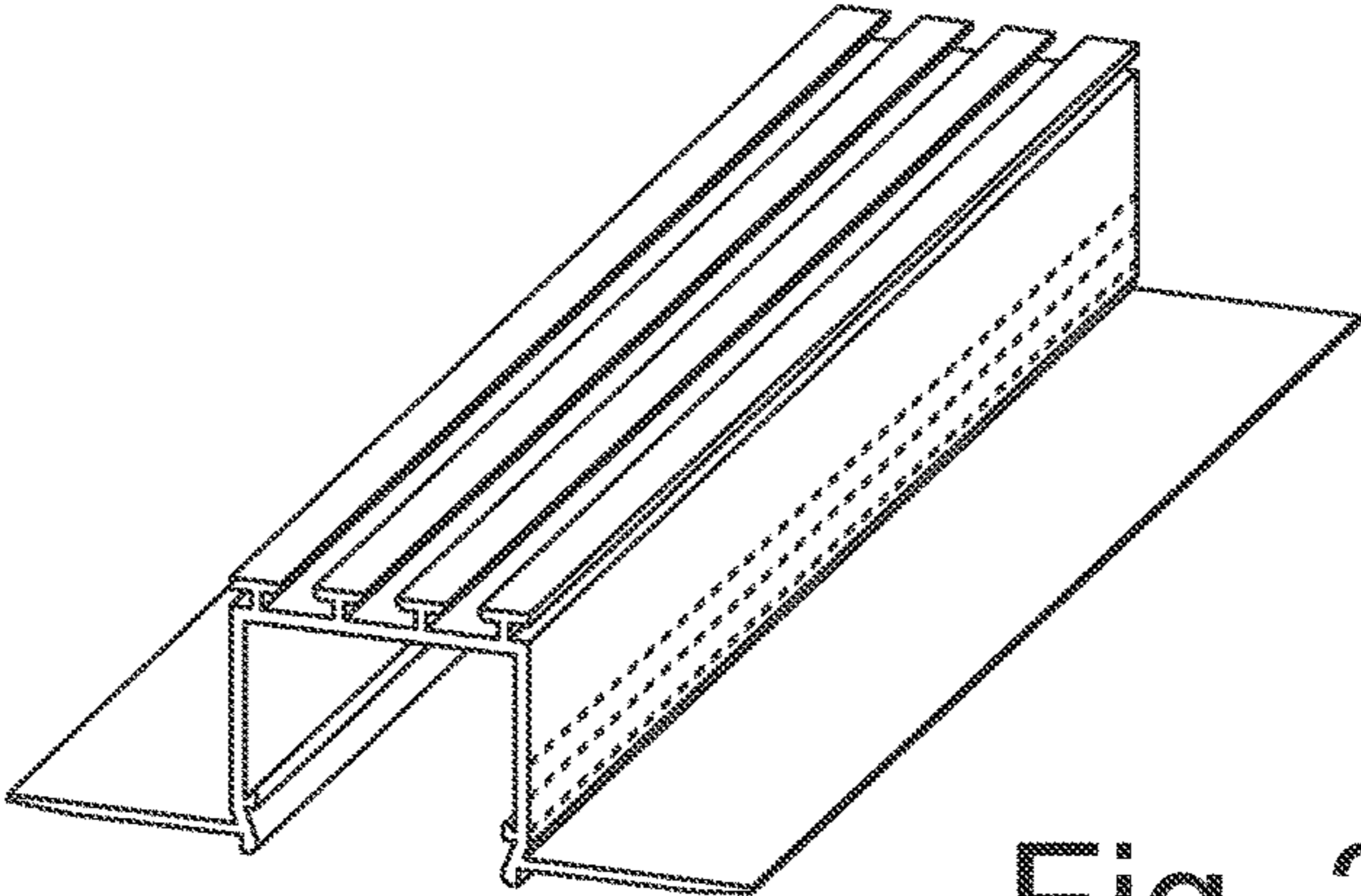


Fig. 2

Fig. 3

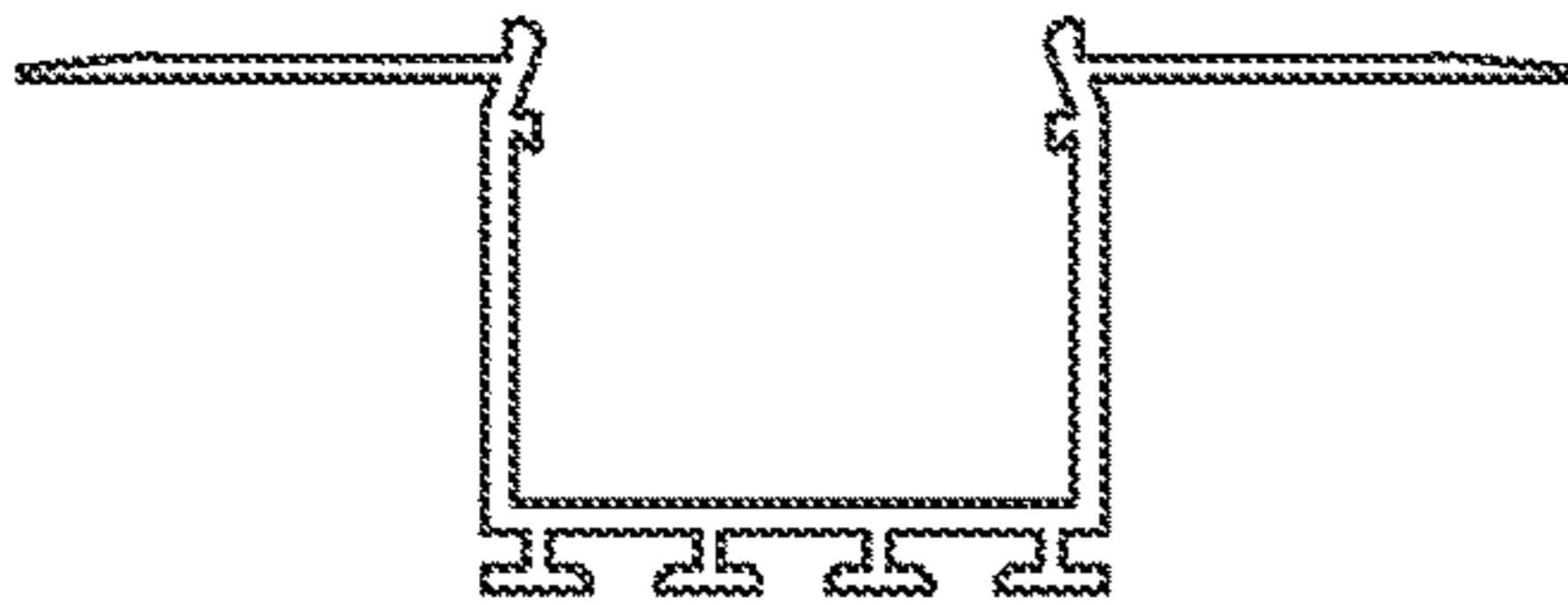


Fig. 5

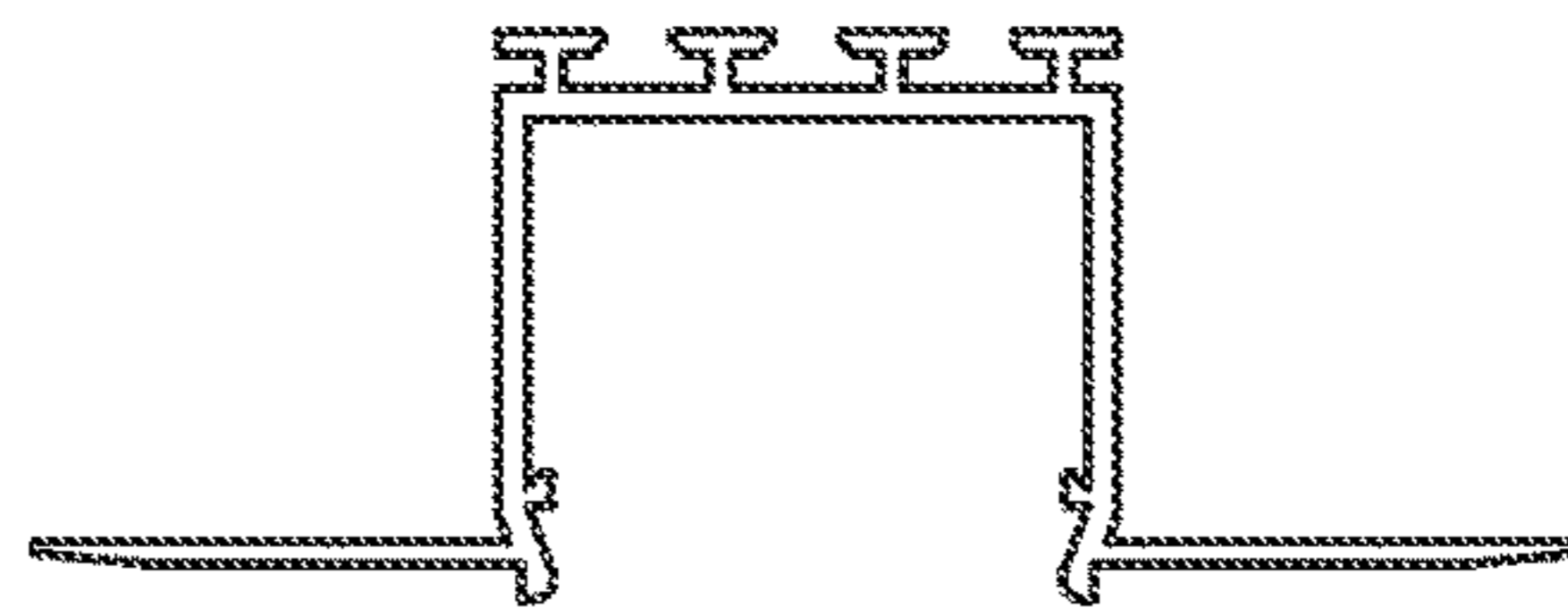


Fig. 4

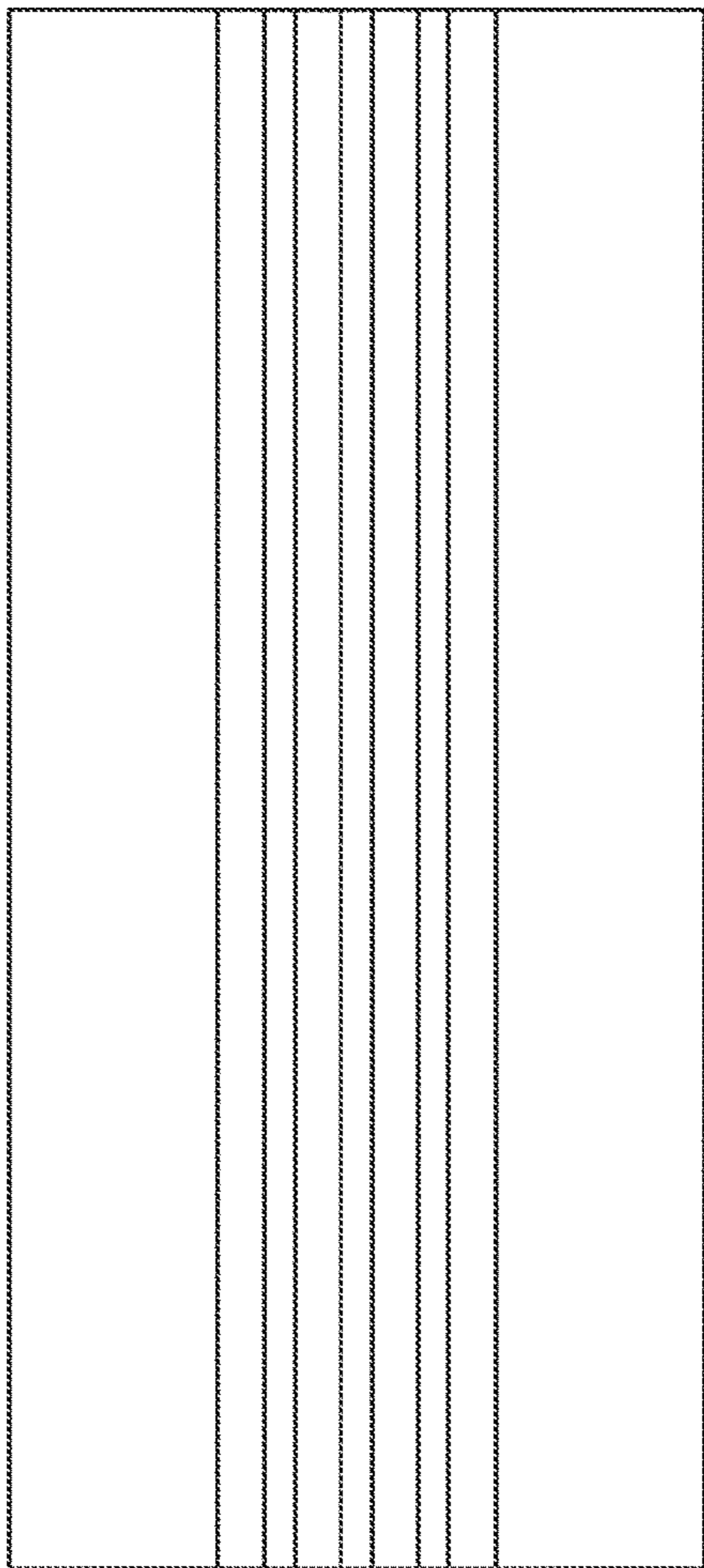


Fig. 6

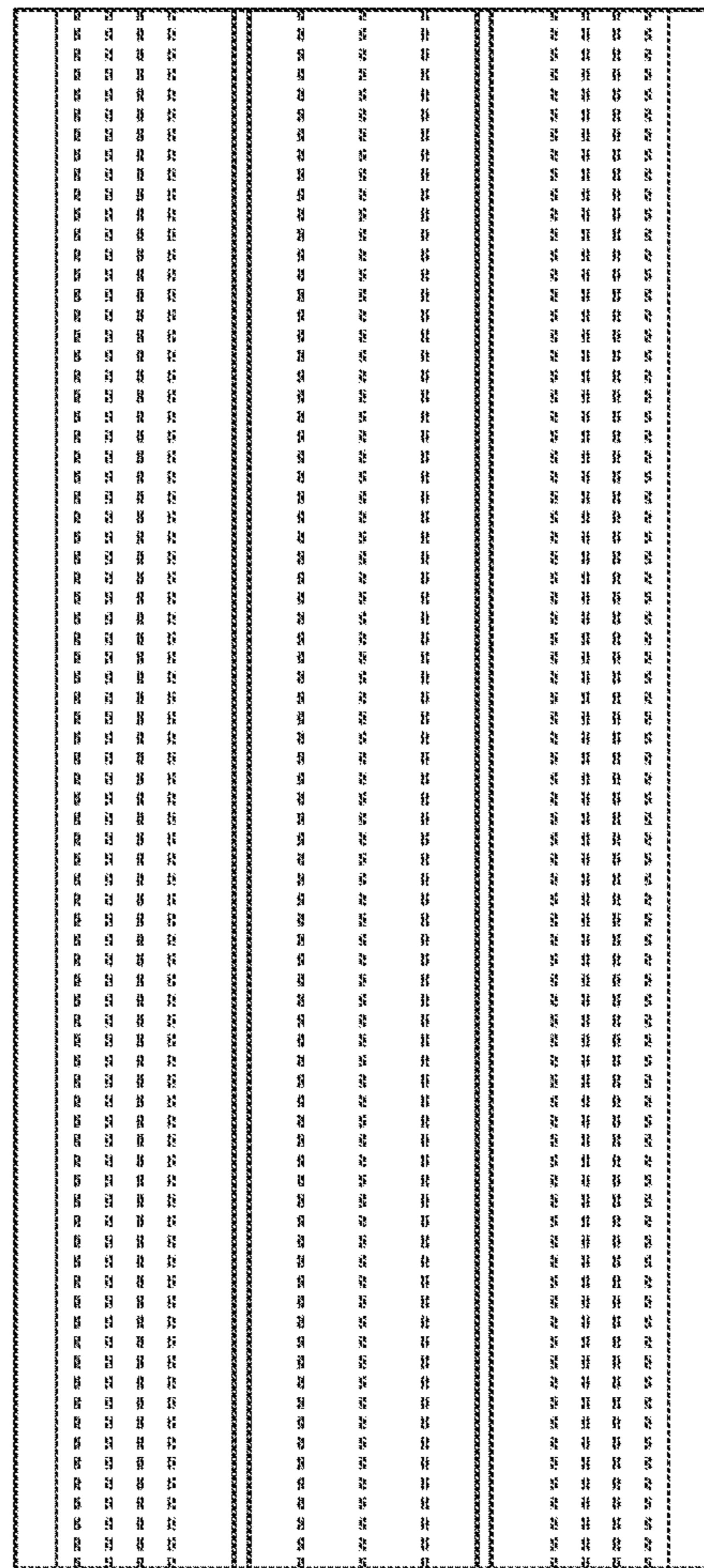


Fig. 7

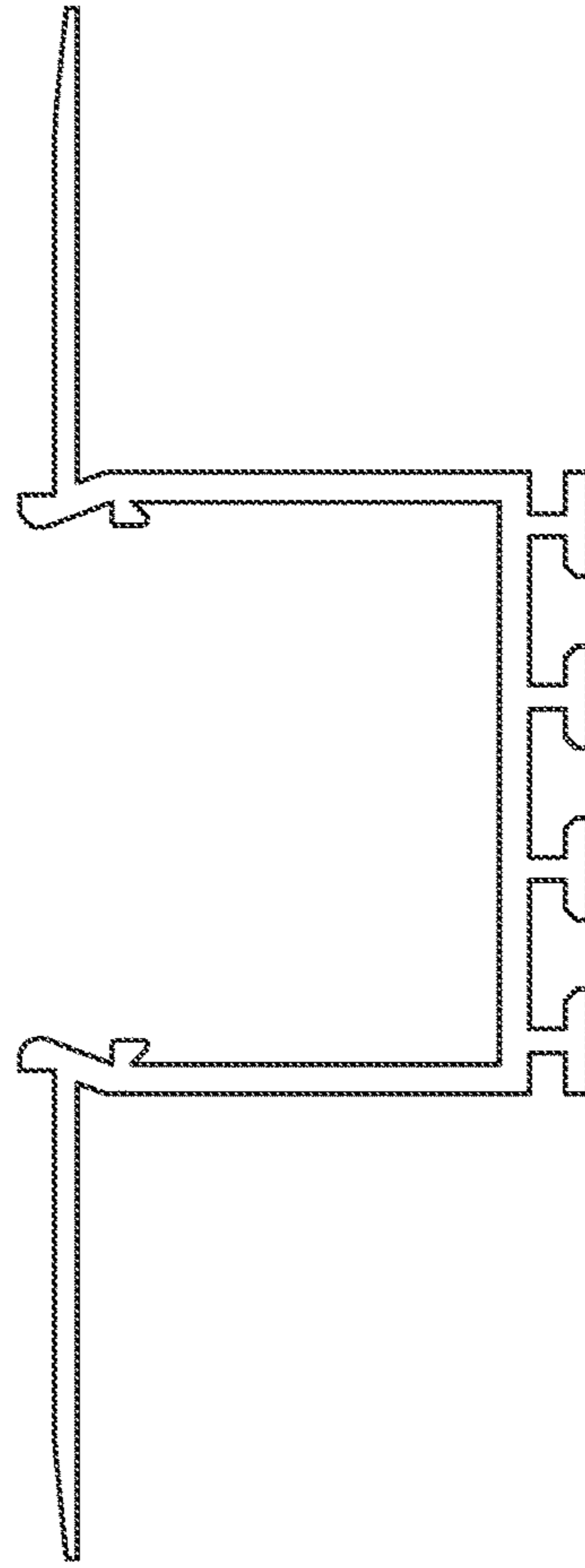


Fig. 8

