



US00D792015S

(12) **United States Design Patent**  
**Xiao**

(10) **Patent No.:** **US D792,015 S**

(45) **Date of Patent:** **\*\* Jul. 11, 2017**

(54) **TABLE LAMP**

(71) Applicant: **Gang Xiao**, Shenzhen (CN)

(72) Inventor: **Gang Xiao**, Shenzhen (CN)

(\*\*) Term: **15 Years**

(21) Appl. No.: **29/529,005**

(22) Filed: **Jun. 2, 2015**

(30) **Foreign Application Priority Data**

Dec. 5, 2014 (CN) ..... 2014 3 0501632

(51) **LOC (10) Cl.** ..... **26-03**

(52) **U.S. Cl.**  
USPC ..... **D26/106**

(58) **Field of Classification Search**

USPC ..... D26/1, 24, 93, 104, 106, 110, 112  
CPC .... F21S 6/00; F21S 6/002; F21S 6/004; F21S  
6/006; F21S 8/00; F21S 10/00; F21V  
21/02; F21W 2131/30; F21Y 2105/00

See application file for complete search history.

(56) **References Cited**

**U.S. PATENT DOCUMENTS**

D107,810 S \* 1/1938 Weidner et al. .... D26/104  
D359,377 S \* 6/1995 Barnes ..... D26/106

D413,999 S \* 9/1999 Diaz-Azcuy ..... D26/110  
D467,025 S \* 12/2002 Tinsley ..... D26/110  
D544,134 S \* 6/2007 Onyszko ..... D26/106  
D716,993 S \* 11/2014 Rashid ..... D26/93  
D729,971 S \* 5/2015 Salojarvi ..... D26/104

\* cited by examiner

*Primary Examiner* — Brian N Vinson

(74) *Attorney, Agent, or Firm* — Rabin & Berdo, P.C.

(57) **CLAIM**

The ornamental design for an table lamp, as shown and described.

**DESCRIPTION**

FIG. 1 is a front view thereof an table lamp showing my new design;

FIG. 2 is a rear view thereof;

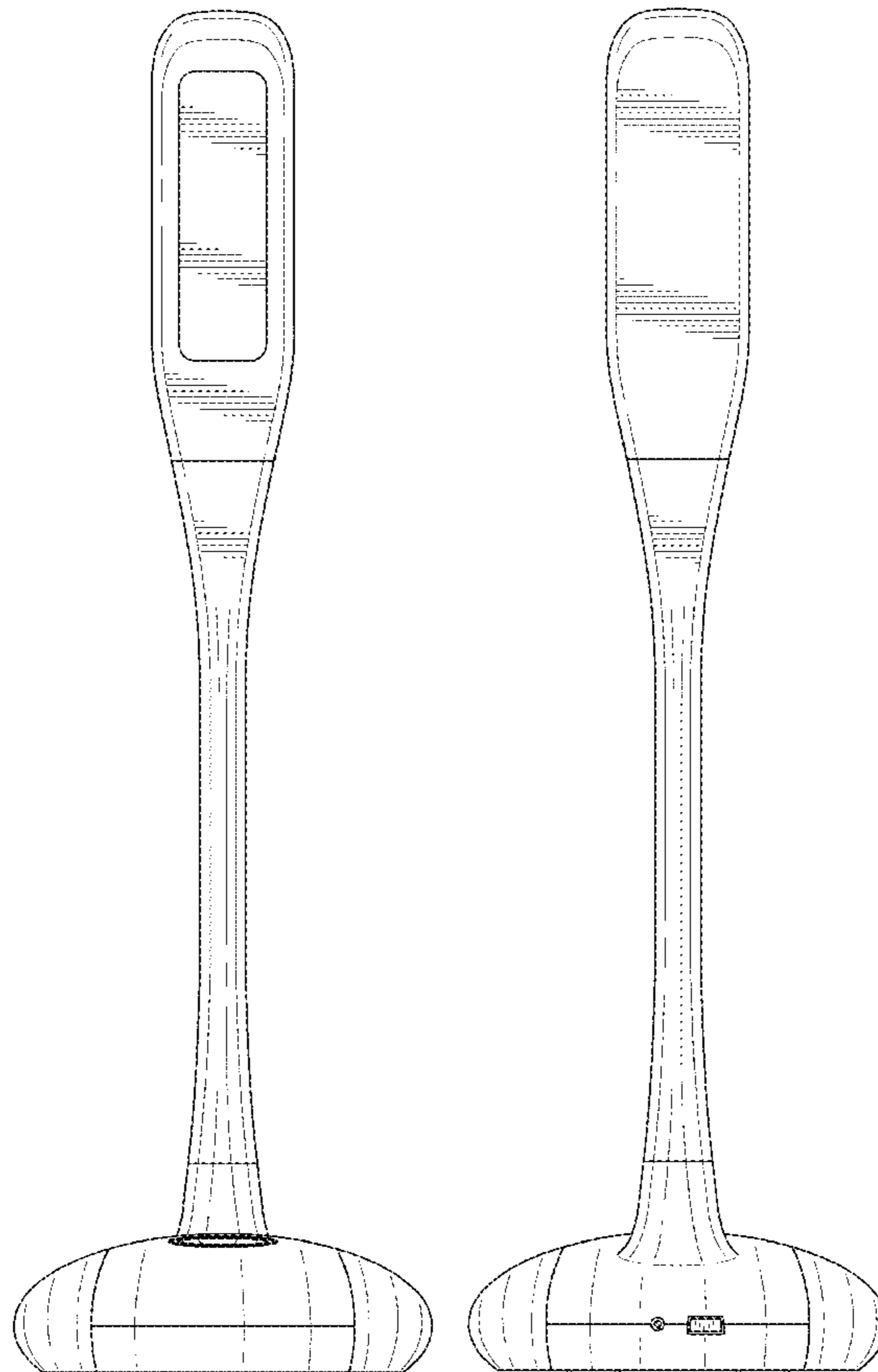
FIG. 3 is a right side view thereof;

FIG. 4 is a left side view thereof;

FIG. 5 is a top plan view thereof; and,

FIG. 6 is a bottom plan view thereof.

**1 Claim, 6 Drawing Sheets**



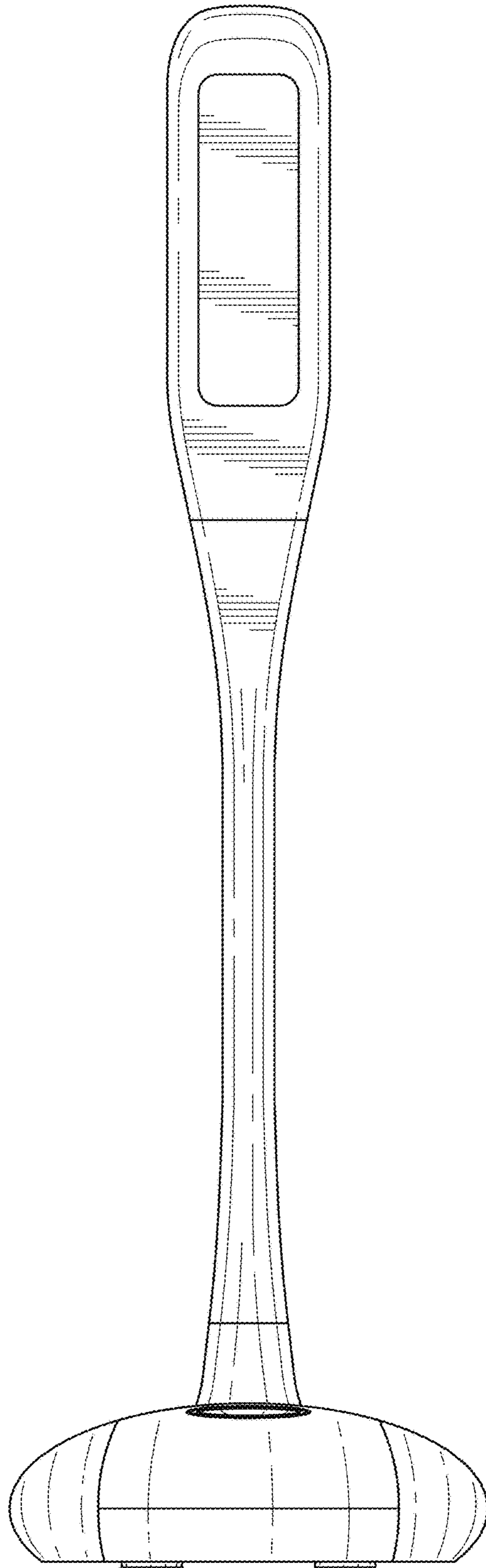


FIG. 1

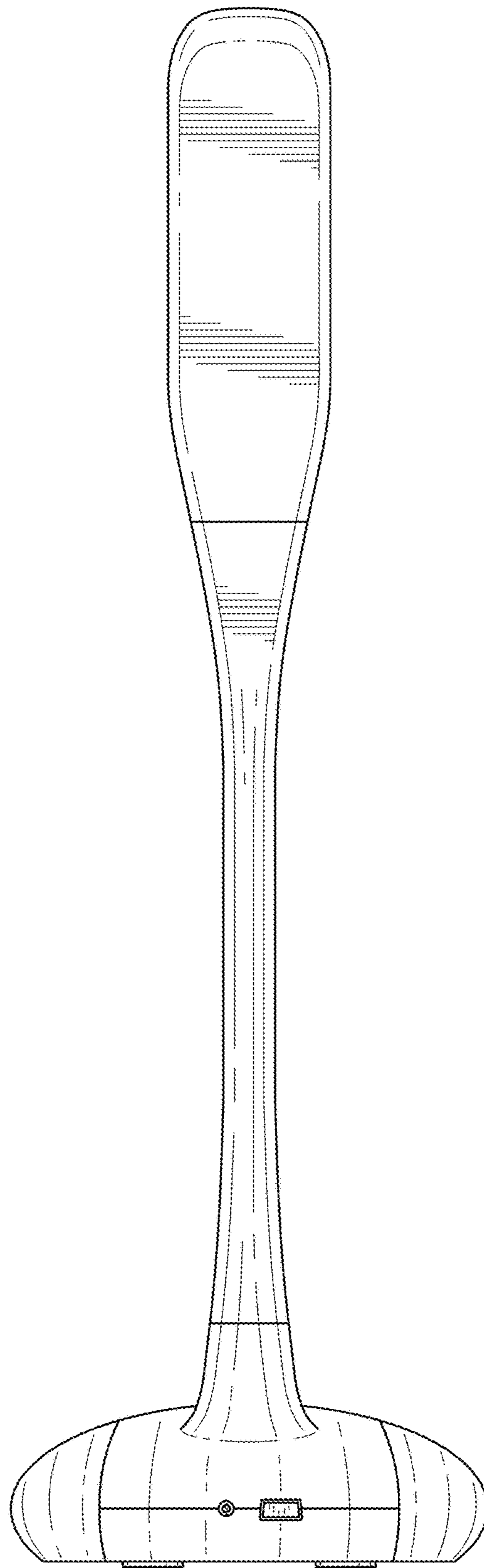


FIG. 2

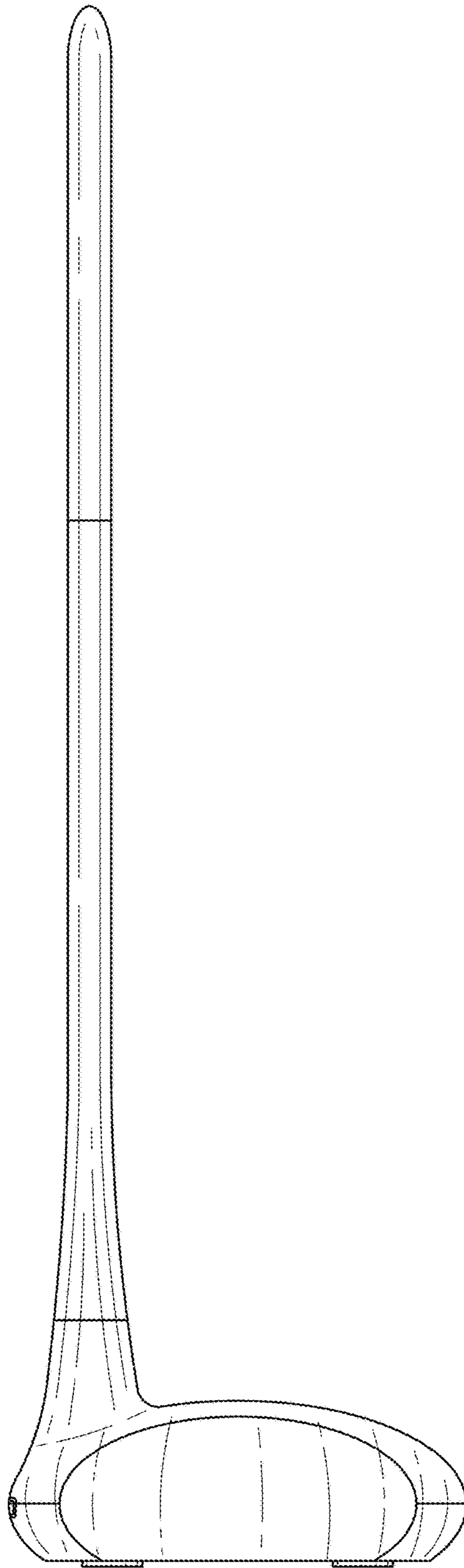


FIG. 3

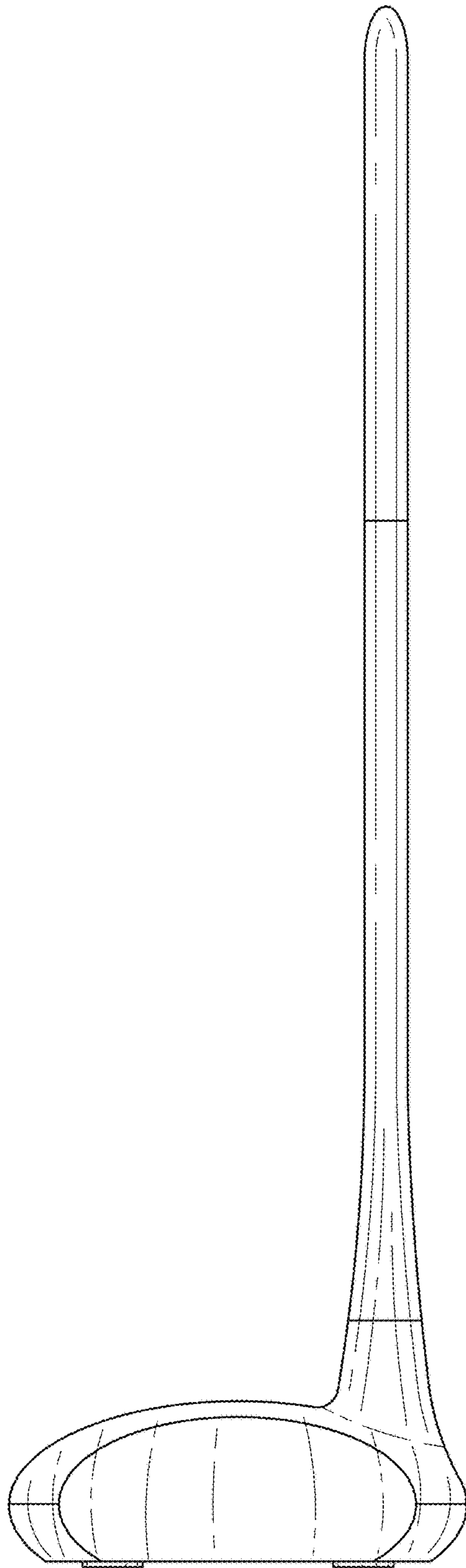


FIG. 4

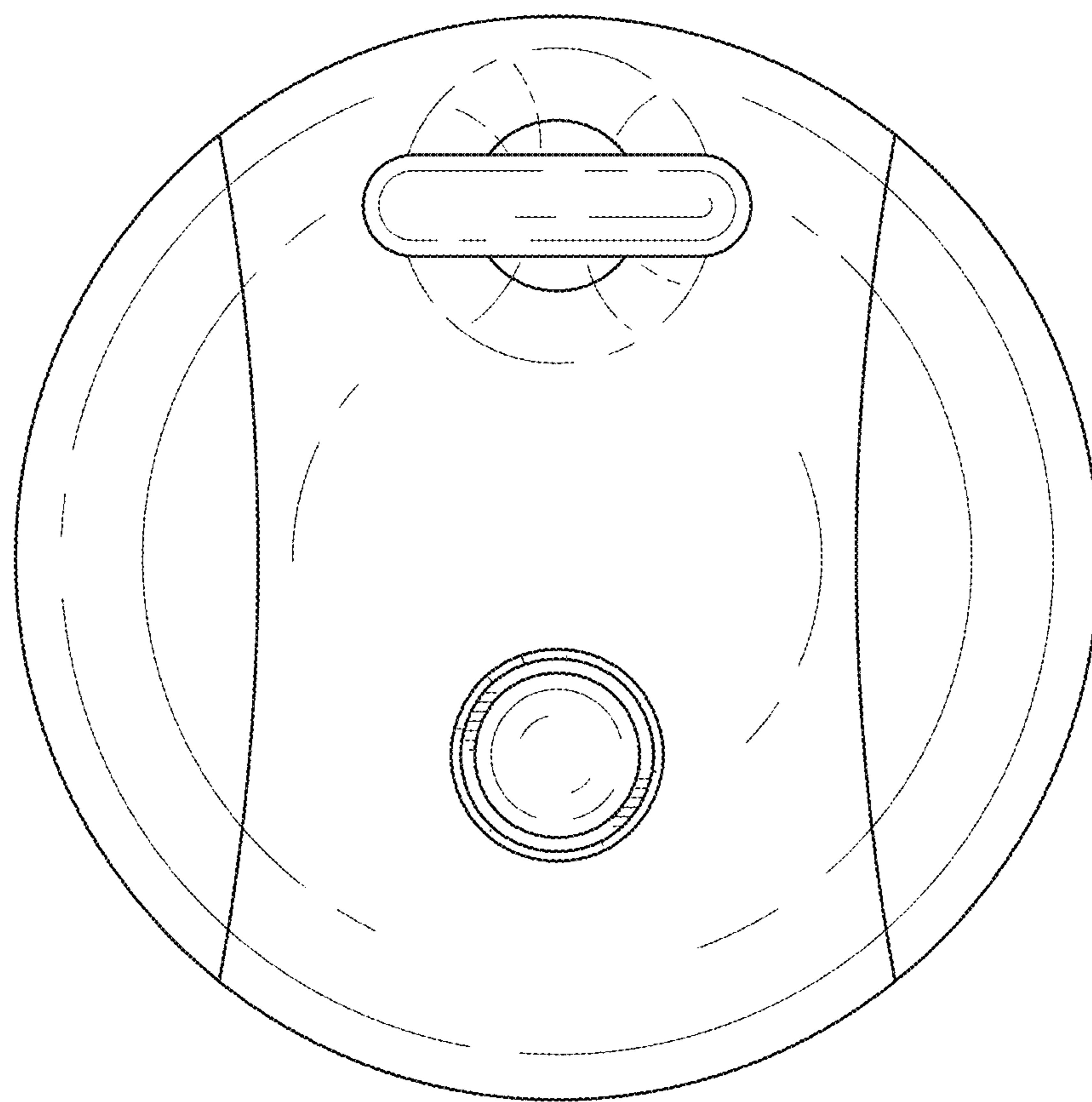


FIG. 5

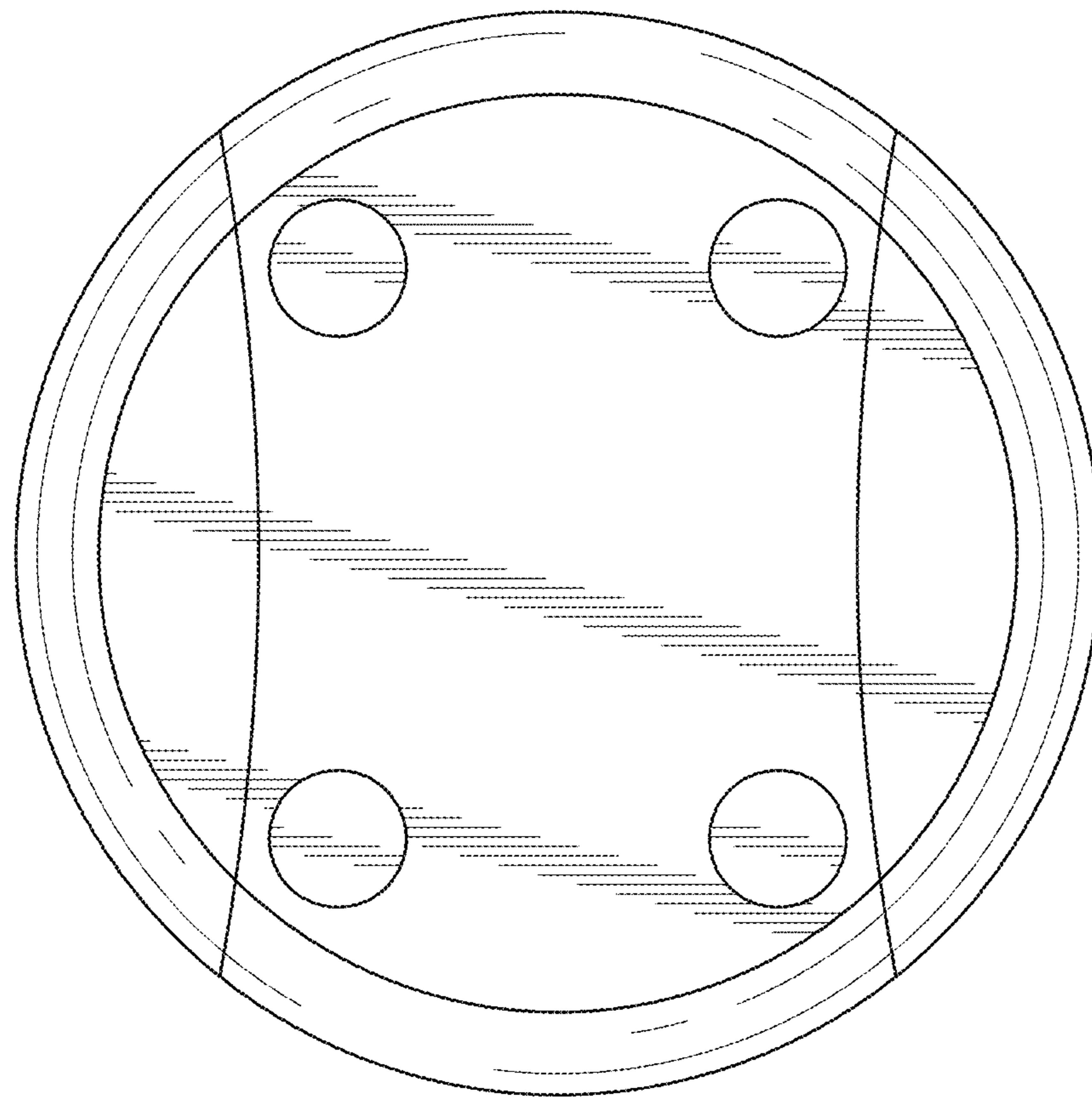


FIG. 6