

US00D792014S

(12) **United States Design Patent** (10) **Patent No.:** **US D792,014 S**  
**Galipeau et al.** (45) **Date of Patent:** **\*\* Jul. 11, 2017**

(54) **LUMINAIRE**

(56) **References Cited**

(71) Applicant: **PHILIPS LIGHTING HOLDING B.V.**, Eindhoven (NL)

(72) Inventors: **Guy Galipeau**, Boisbriand (CA); **Sergio Jurdana**, Blainville (CA); **Alexandre Plomteux**, Montreal (CA); **Jonathan Hardy**, Laval (CA); **Michel Fortin**, Sainte-Marthe sur le Lac (CA); **Jean-Francois Duquette**, Kirkland (CA); **David Cavaliere**, Prevost (CA)

U.S. PATENT DOCUMENTS

D174,597 S *	4/1955	Rosenthal .....	D26/105
D309,787 S *	8/1990	Chien .....	D26/93
D467,679 S *	12/2002	Rota .....	D26/104
D547,486 S *	7/2007	Donegani .....	D26/104
D574,993 S *	8/2008	Silver .....	D26/88
D589,203 S *	3/2009	Sabernig .....	D26/104
D680,260 S *	4/2013	Lin .....	D26/104
D740,484 S *	10/2015	Ballinger .....	D26/104

\* cited by examiner

(73) Assignee: **PHILIPS LIGHTING HOLDING B.V.**, Eindhoven (NL)

*Primary Examiner* — Brian N Vinson

(\*\*) Term: **15 Years**

(57) **CLAIM**

The ornamental design for a luminaire, as shown.

(21) Appl. No.: **29/551,825**

**DESCRIPTION**

(22) Filed: **Jan. 18, 2016**

(51) **LOC (10) Cl.** ..... **26-99**

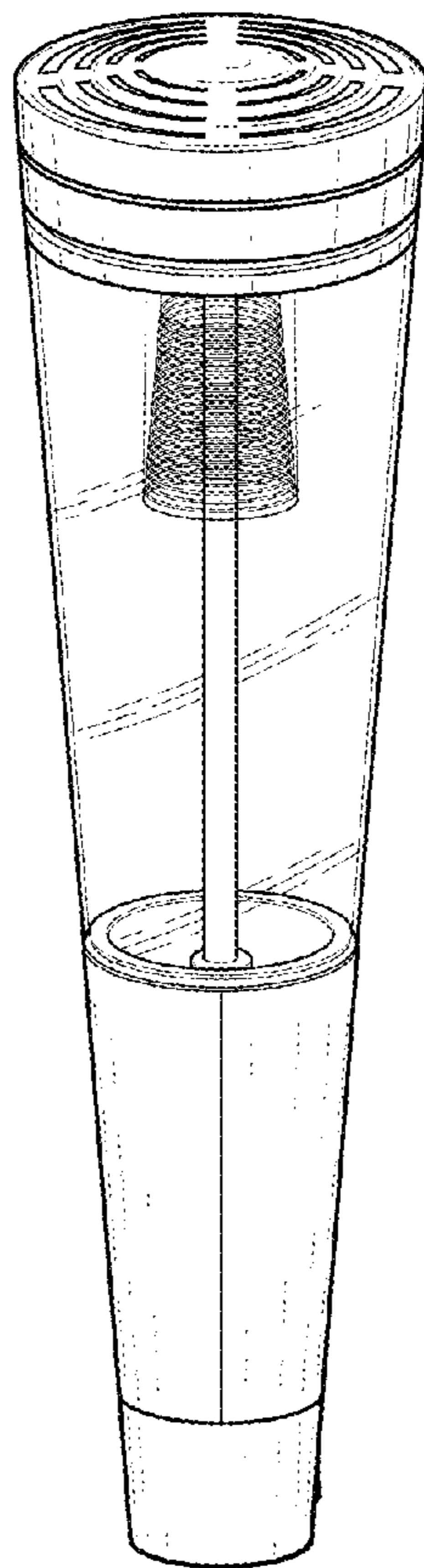
(52) **U.S. Cl.**  
USPC ..... **D26/104**

(58) **Field of Classification Search**  
USPC ..... D26/24, 93, 103-107, 110-112  
CPC .... F21S 6/00; F21S 6/002; F21V 1/00; F21V 1/02; F21V 21/02; F21V 1/12; F21V 1/22; F21V 1/18; F21W 2131/30

FIG. 1 is a perspective view showing my design;  
FIG. 2 is a front elevational view thereof;  
FIG. 3 is a rear elevational view thereof;  
FIG. 4 is a right side elevational view thereof;  
FIG. 5 is a left side elevational view thereof;  
FIG. 6 is a top plan view thereof;  
FIG. 7 is a bottom plan view thereof; and,  
FIG. 8 is a bottom plan view thereof.

See application file for complete search history.

**1 Claim, 5 Drawing Sheets**



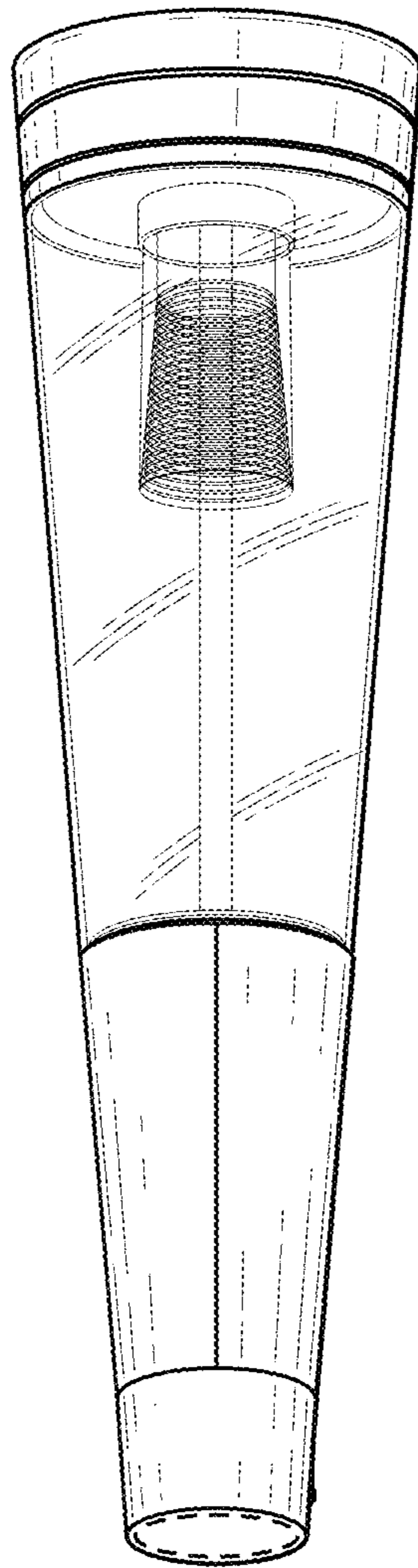


FIG. 1

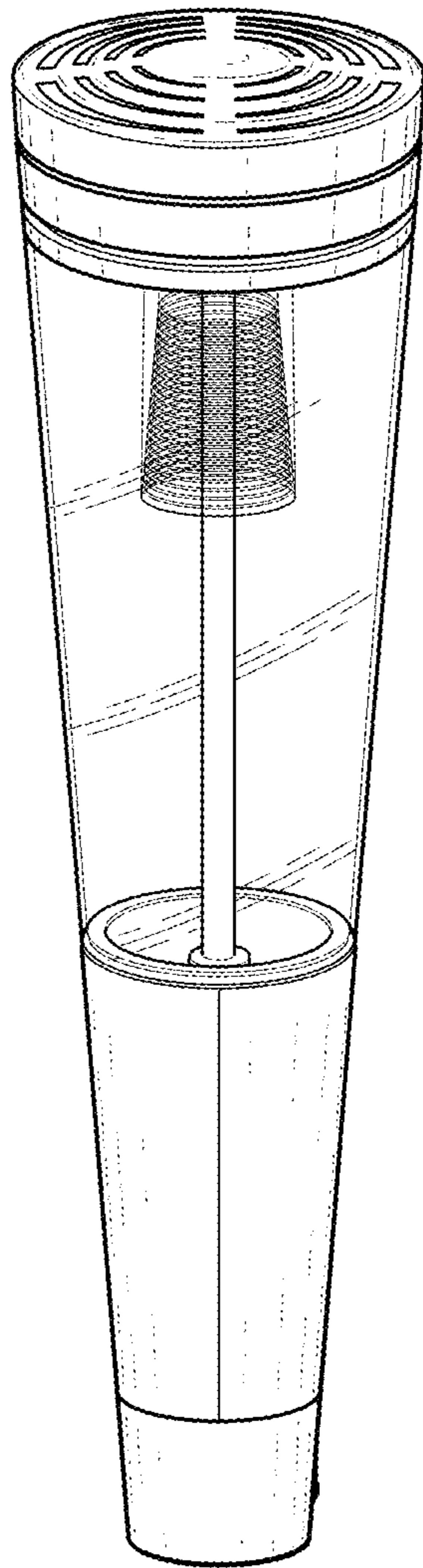


FIG. 2

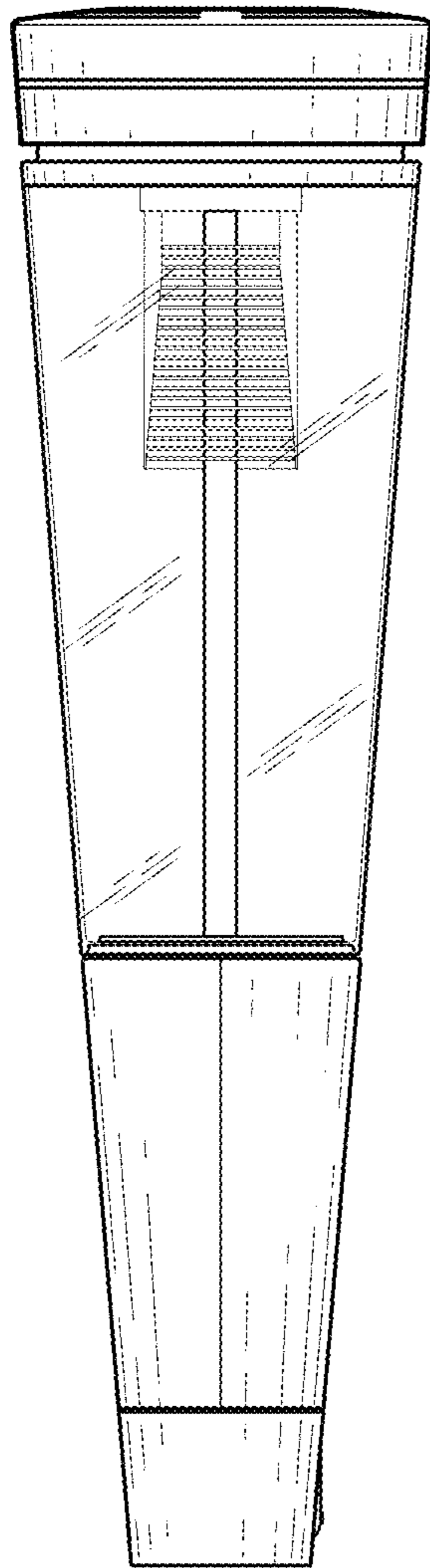


FIG. 3

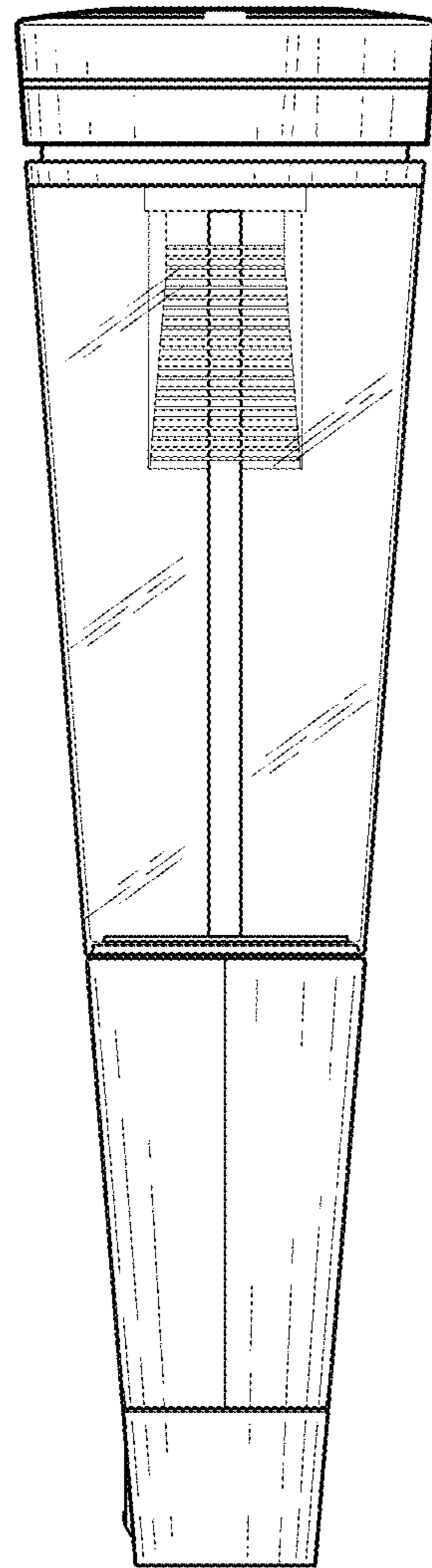


FIG. 4

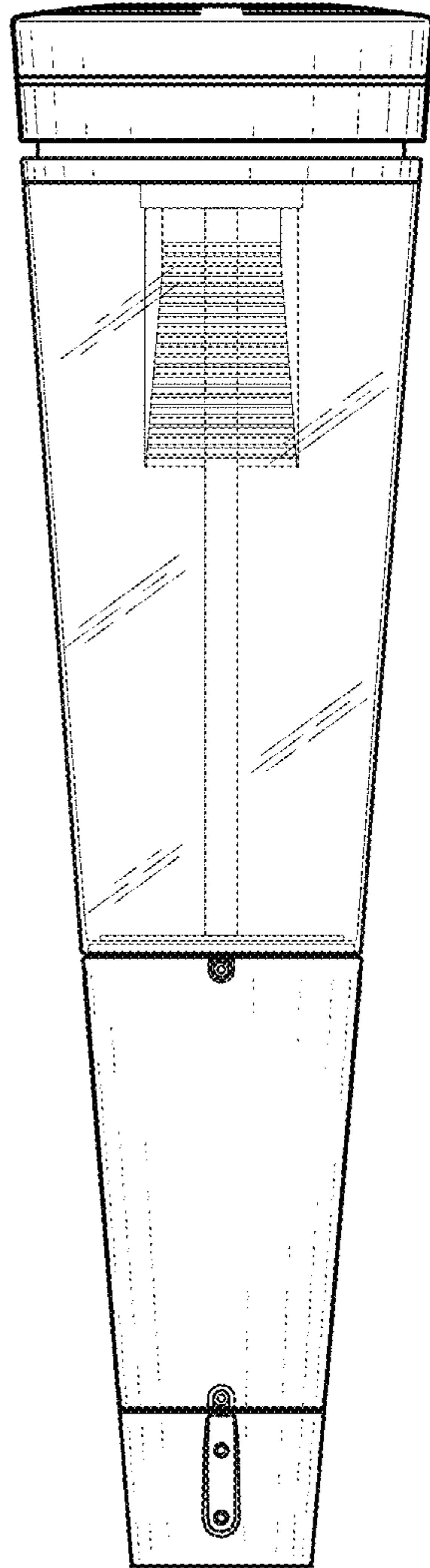


FIG. 5

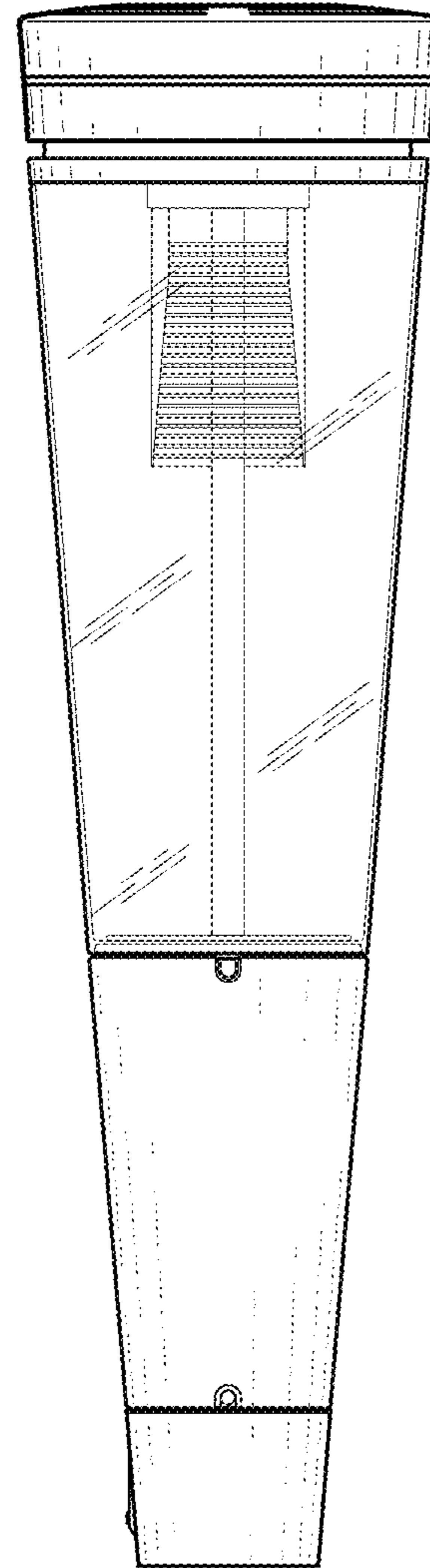


FIG. 6

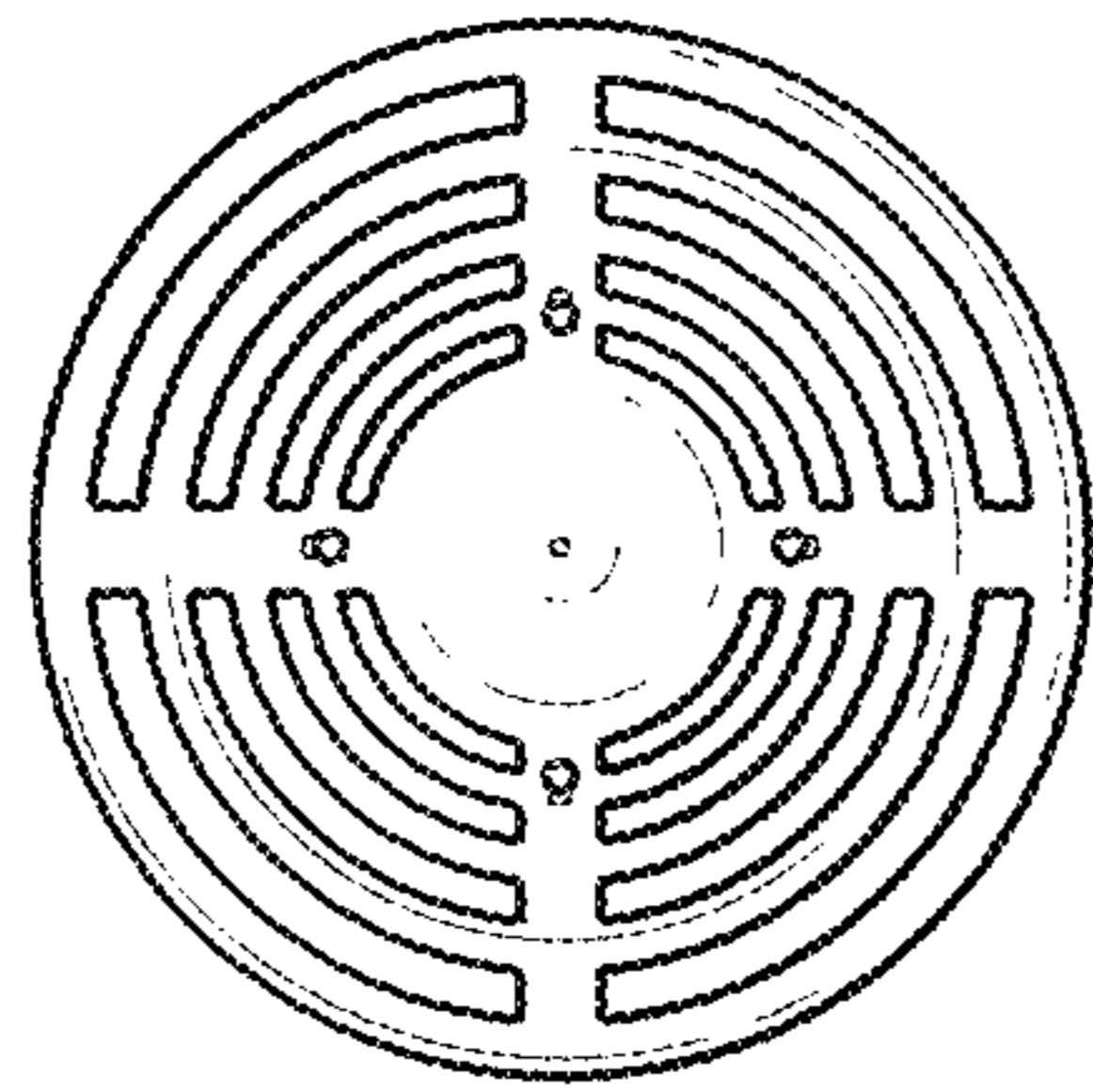


FIG. 7

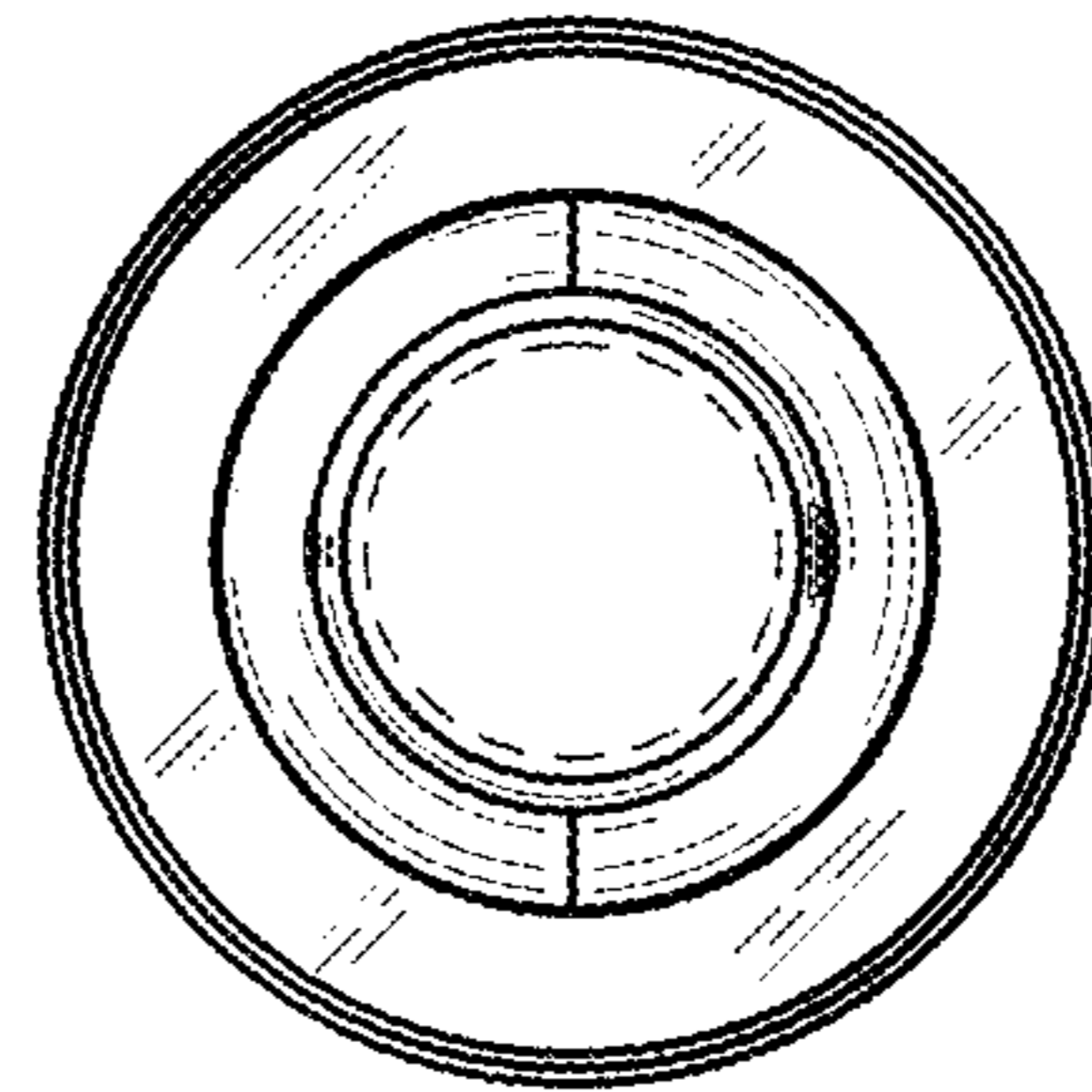


FIG. 8