



US00D792013S

(12) **United States Design Patent**
McHugh

(10) **Patent No.:** **US D792,013 S**

(45) **Date of Patent:** **** Jul. 11, 2017**

(54) **DECORATIVE LAMP**

(56) **References Cited**

(71) Applicant: **Stephen McHugh**, Auburndale, MA
(US)

U.S. PATENT DOCUMENTS

D694,055 S * 11/2013 Hirst D7/306
D719,291 S * 12/2014 Thomas D26/94

(72) Inventor: **Stephen McHugh**, Auburndale, MA
(US)

* cited by examiner

(**) Term: **15 Years**

Primary Examiner — Brian N Vinson

(21) Appl. No.: **29/564,945**

(57) **CLAIM**

The ornamental design for a decorative lamp, as shown and described.

(22) Filed: **May 17, 2016**

DESCRIPTION

(51) **LOC (10) Cl.** **26-03**

FIG. 1 is a front perspective view of a decorative lamp showing my new design;

(52) **U.S. Cl.**
USPC **D26/94**

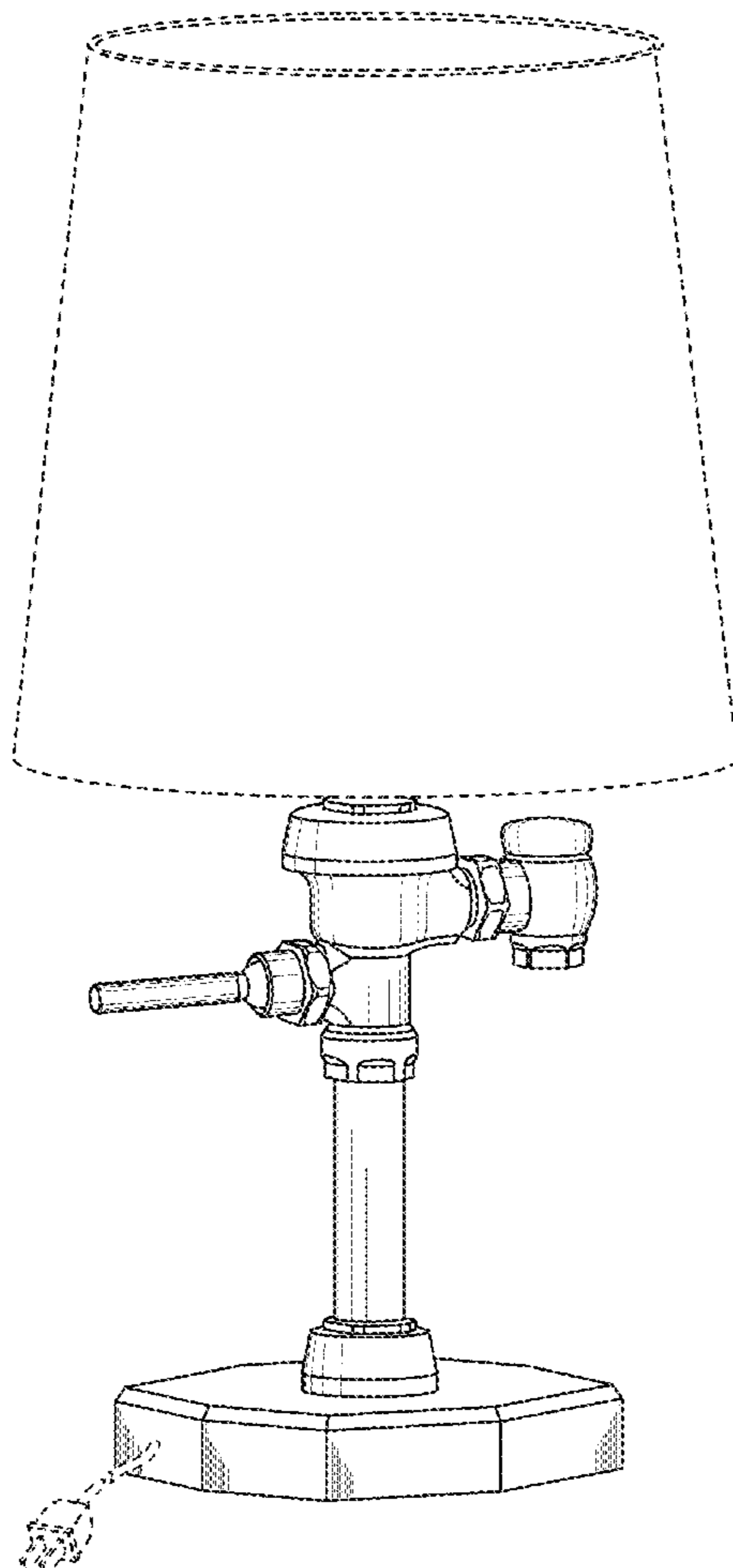
FIG. 2 is a rear elevational view thereof;
FIG. 3 is a front elevational view thereof;
FIG. 4 is a side elevational view thereof;
FIG. 5 is an opposite side elevational view thereof;
FIG. 6 is a top plan view thereof; and,
FIG. 7 is a bottom plan view thereof.

(58) **Field of Classification Search**
USPC D26/94; D7/300, 313, 306
CPC F21S 13/12; F21V 15/01; F21V 33/00;
F21V 21/145

The broken line disclosure of lamp shade and cord represents portions of the lamp which form no part of the claimed design.

See application file for complete search history.

1 Claim, 6 Drawing Sheets



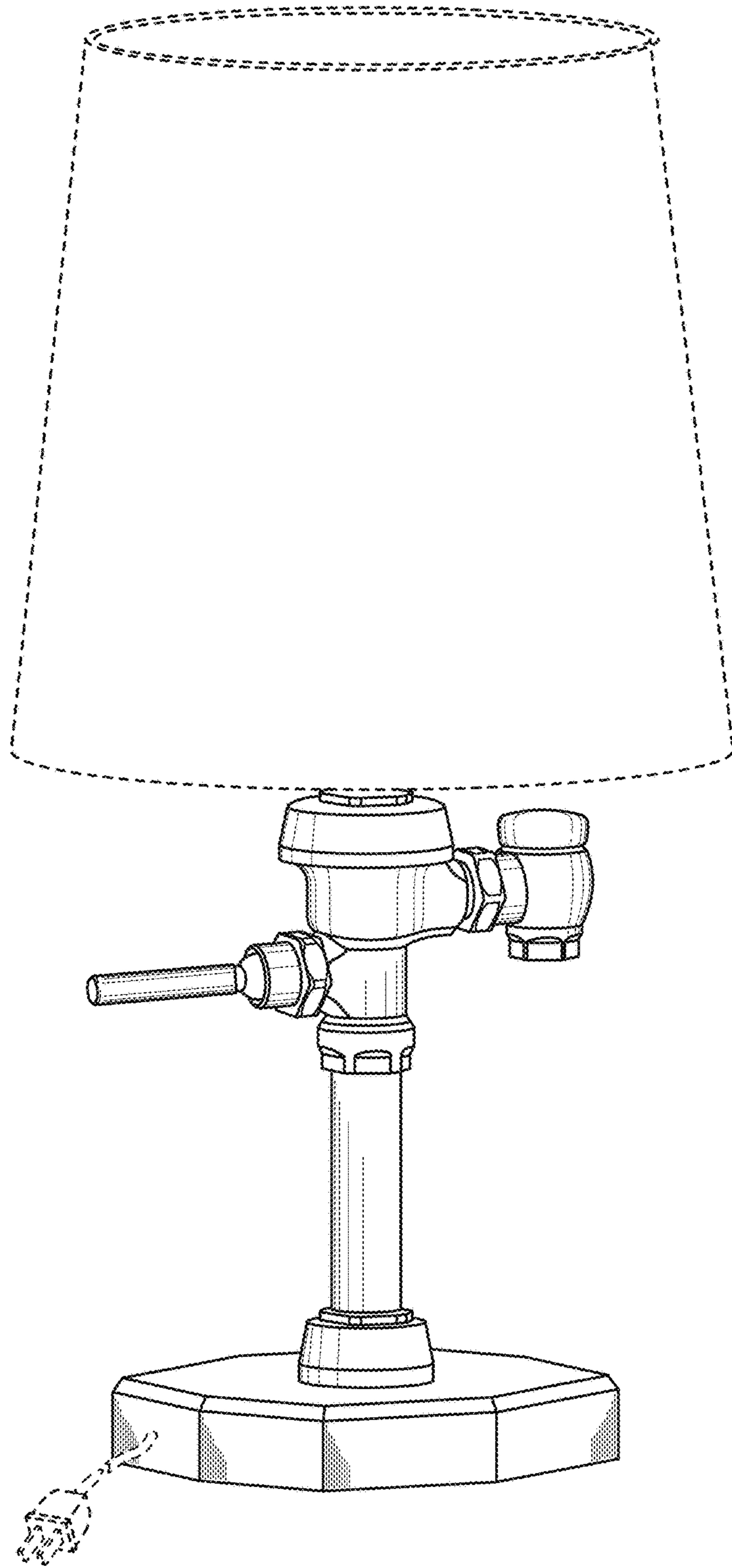


Fig. 1

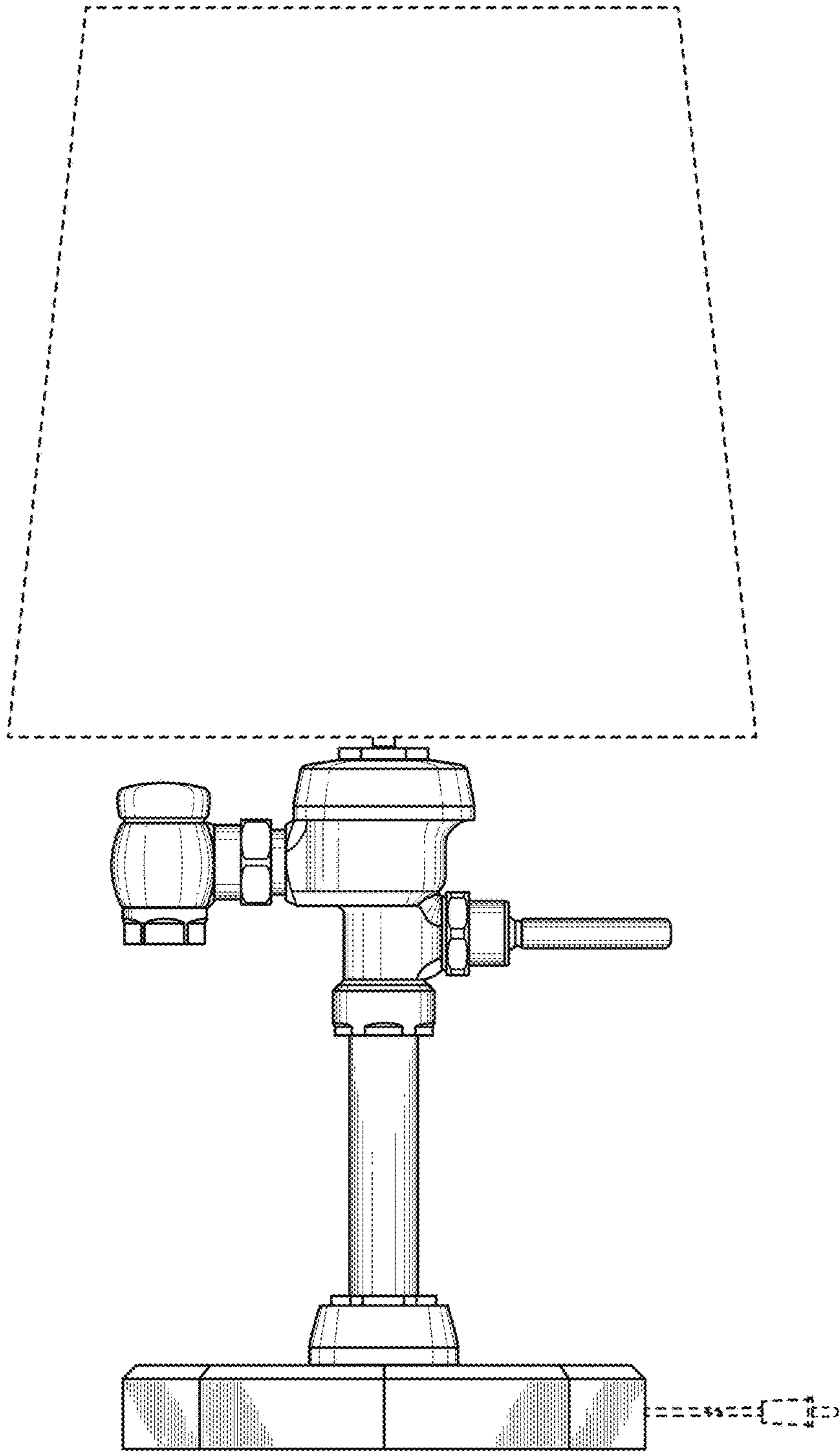


Fig. 2

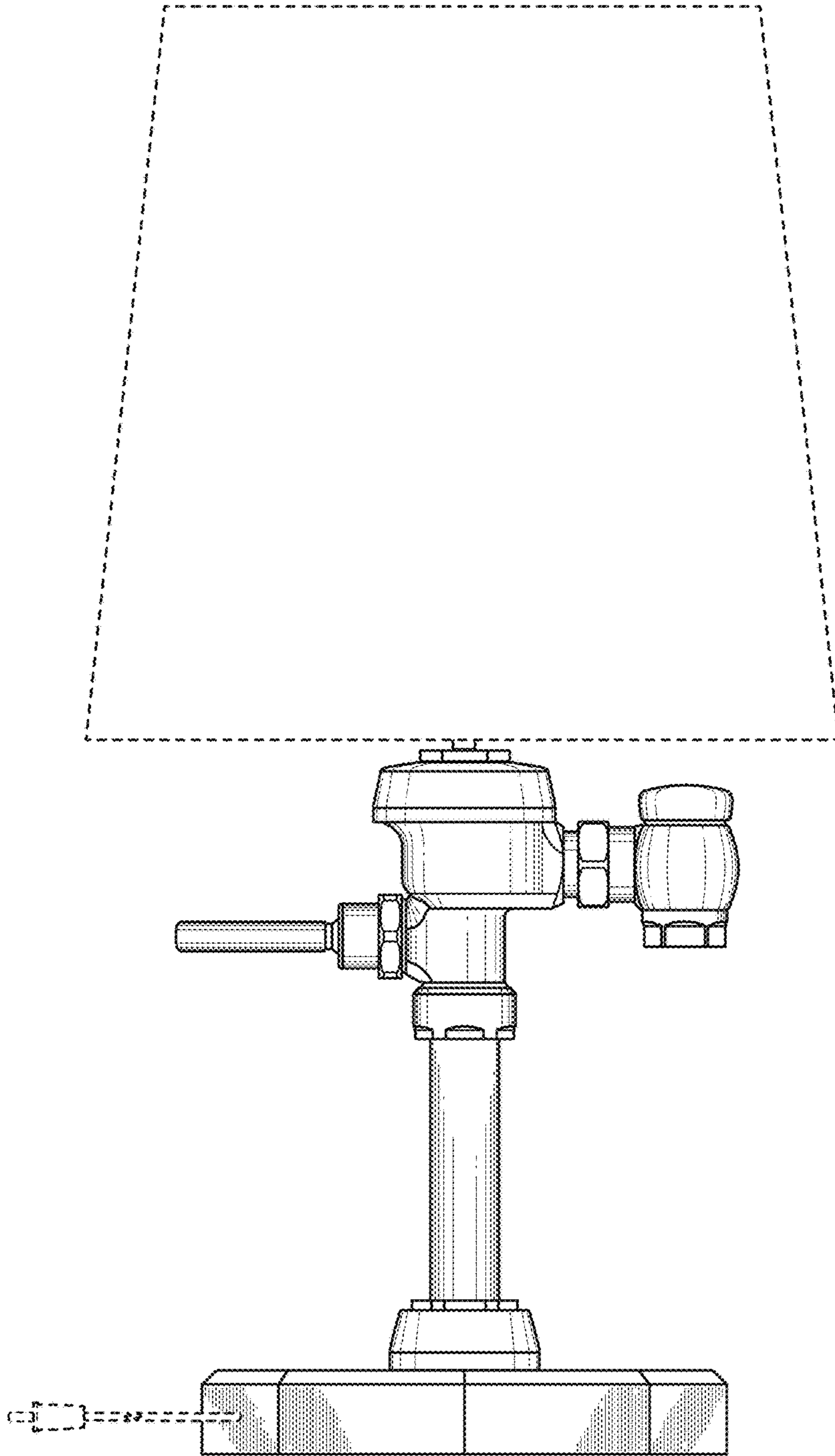


Fig. 3

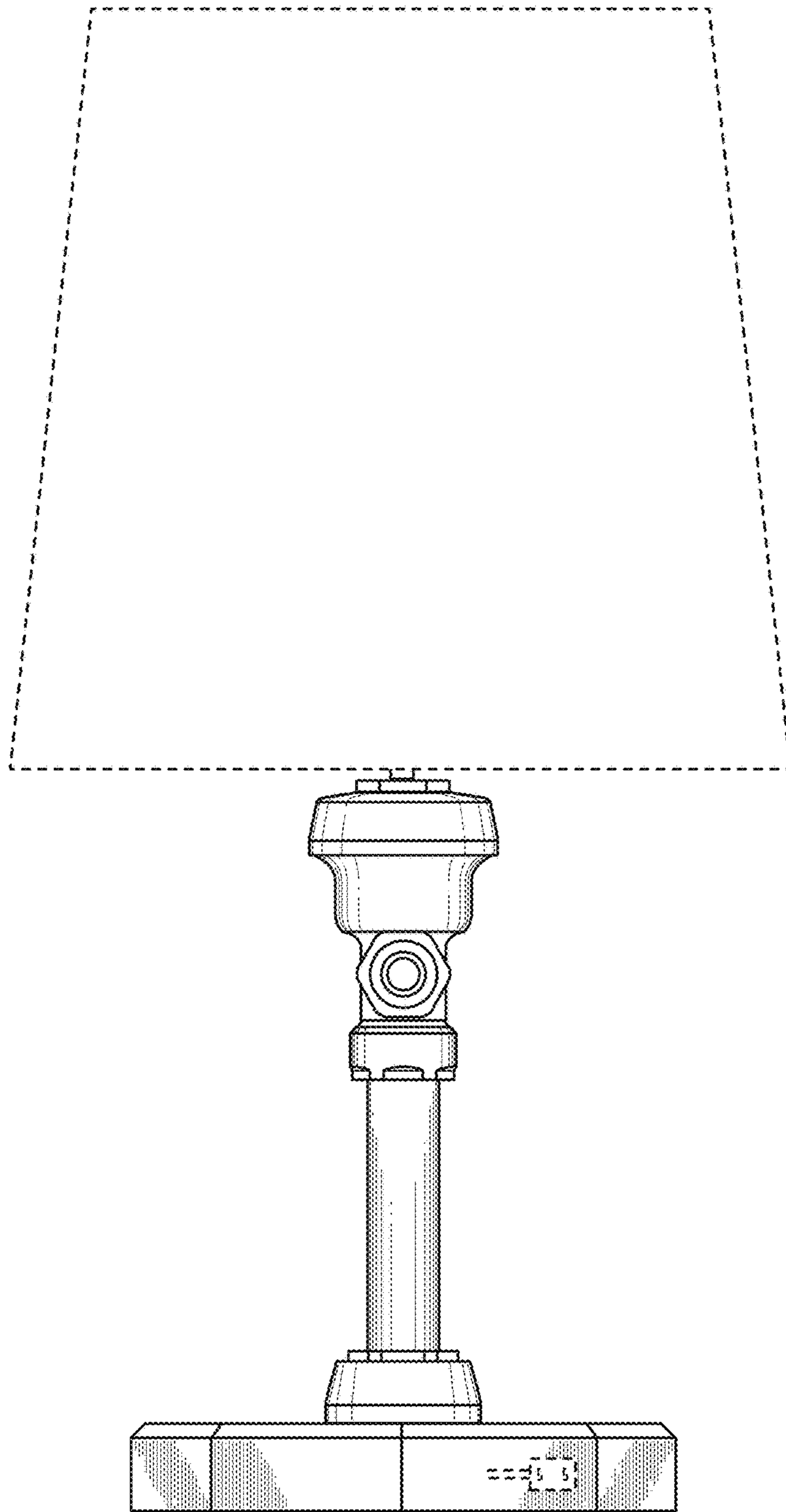


Fig. 4

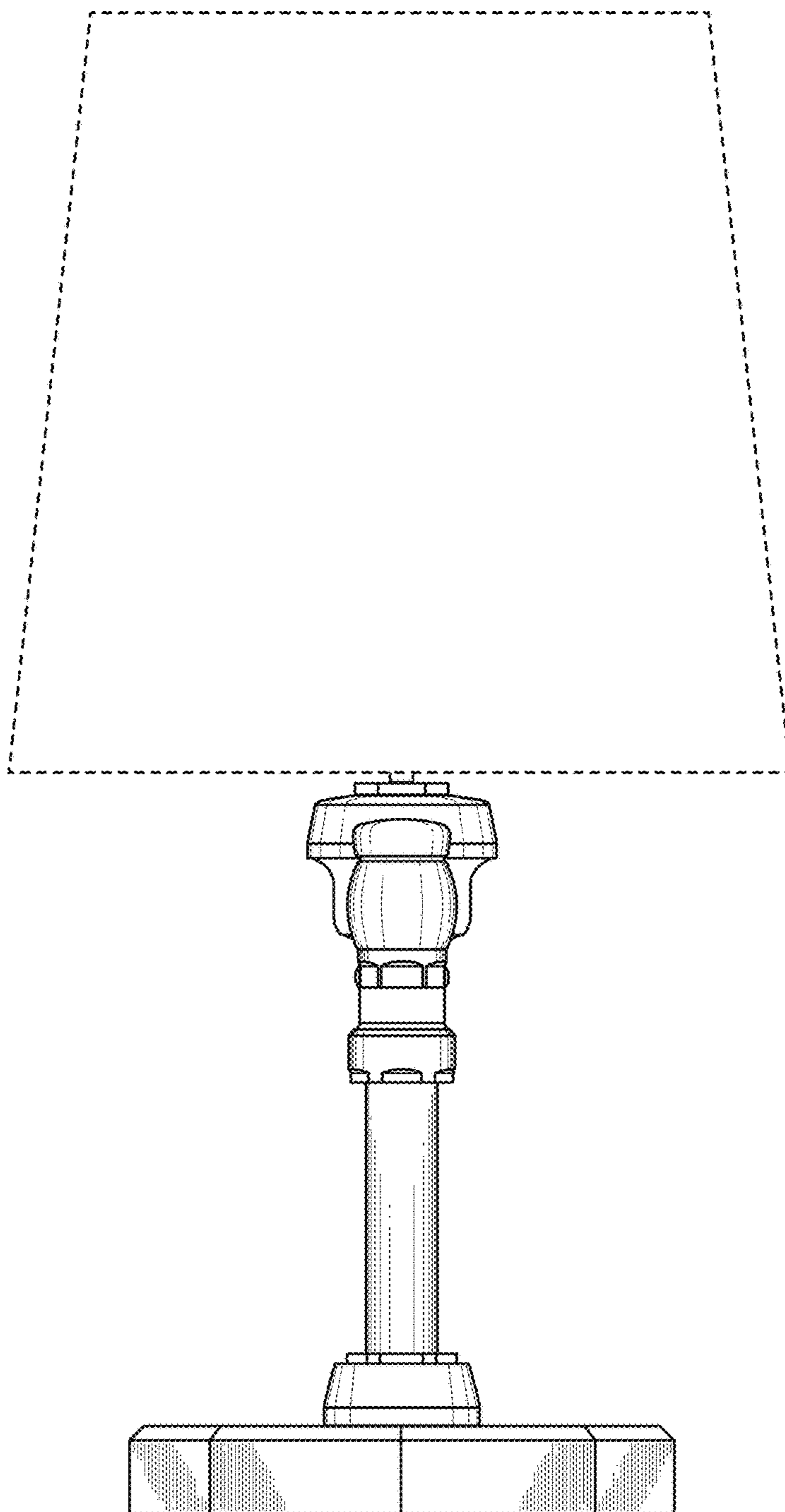


Fig. 5

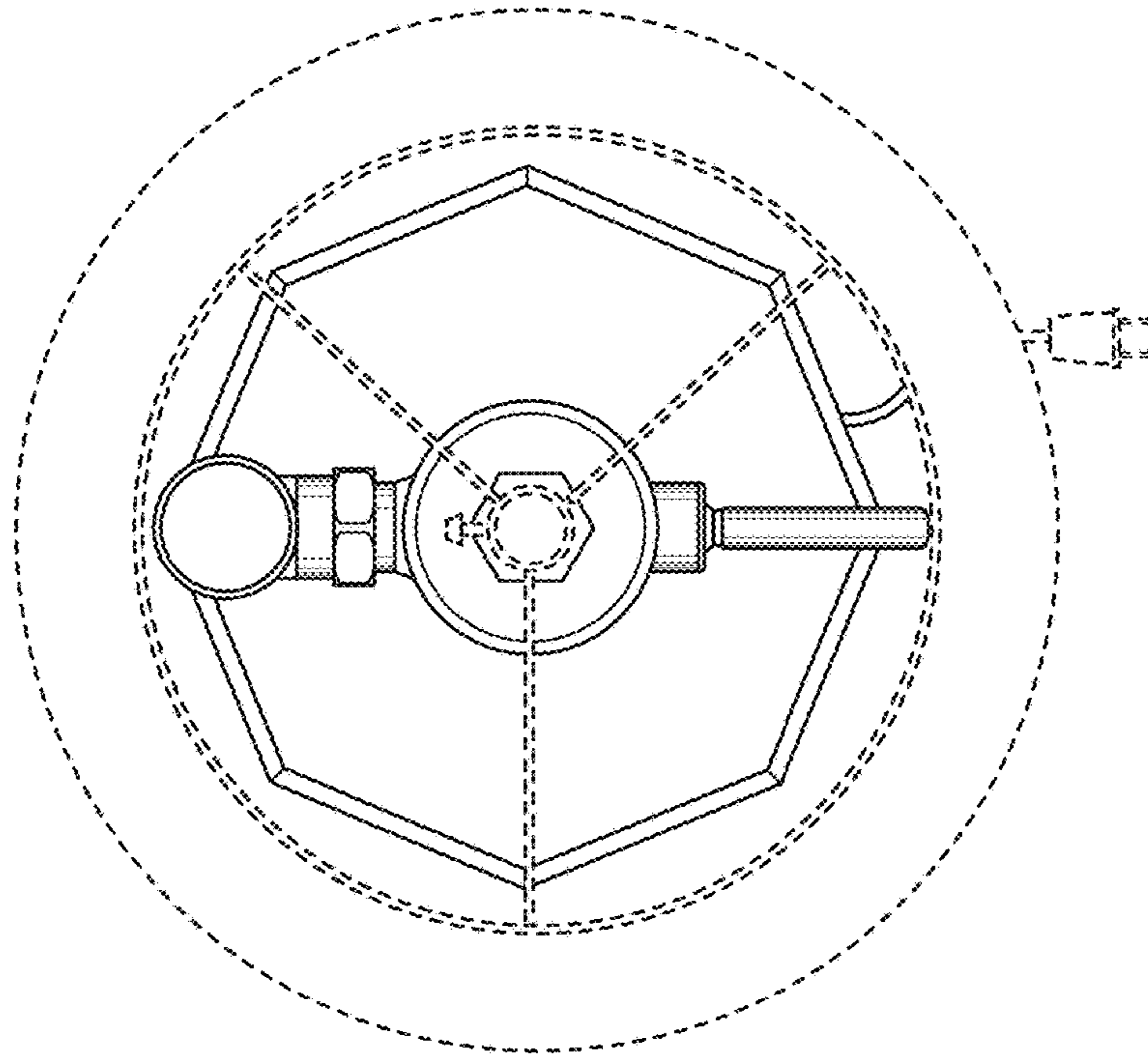


Fig. 6

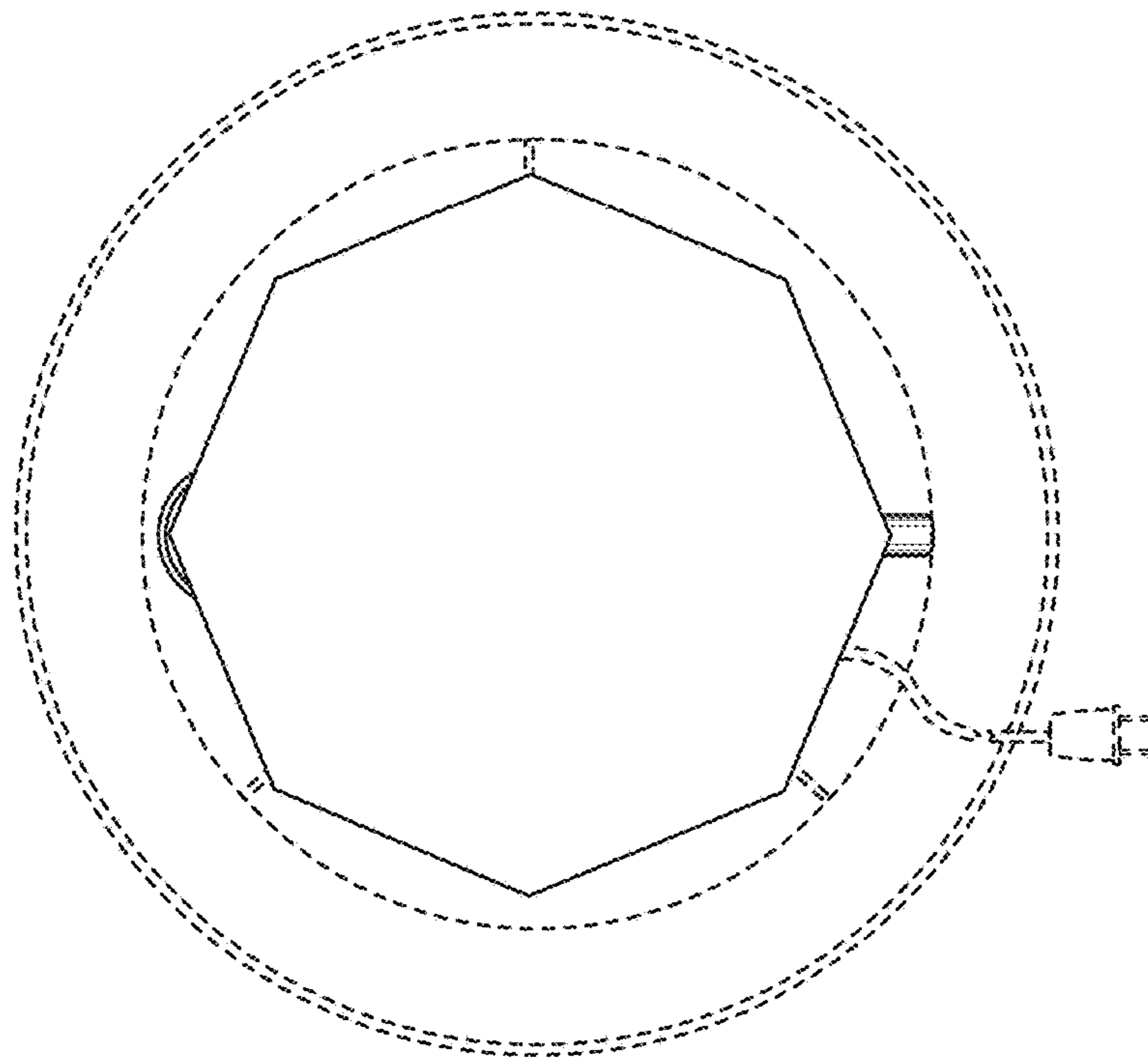


Fig. 7