



US00D792007S

(12) **United States Design Patent** (10) **Patent No.:** **US D792,007 S**  
**Sonneman** (45) **Date of Patent:** **\*\* Jul. 11, 2017**

(54) **LIGHT FIXTURE**

(71) Applicant: **Robert A. Sonneman**, Mamaroneck, NY (US)

(72) Inventor: **Robert A. Sonneman**, Mamaroneck, NY (US)

(\*\*) Term: **15 Years**

(21) Appl. No.: **29/595,018**

(22) Filed: **Feb. 24, 2017**

(51) **LOC (10) Cl.** ..... **26-03**

(52) **U.S. Cl.**  
USPC ..... **D26/88**

(58) **Field of Classification Search**  
USPC ..... D26/80-91, 118, 128  
CPC .... F21S 8/03; F21S 8/033; F21S 8/036; F21S 8/04; F21S 8/043; F21S 8/046; F21S 8/06; F21S 8/061; F21S 8/063; F21S 8/065; F21S 8/068

See application file for complete search history.

(56) **References Cited**

**U.S. PATENT DOCUMENTS**

D46,664 S	*	11/1914	Cobb	.....	D26/84
D438,332 S	*	2/2001	Pratt	.....	D26/131
D439,001 S	*	3/2001	Pan	.....	D26/85
D481,489 S	*	10/2003	Cline	.....	D26/128
D494,310 S	*	8/2004	Cline	.....	D26/128
D576,336 S	*	9/2008	Bourotte	.....	D26/83
D597,243 S	*	7/2009	Trumble	.....	D26/84
D628,740 S	*	12/2010	Arbel	.....	D26/128
D632,835 S	*	2/2011	Arbel	.....	D26/128
D702,396 S	*	4/2014	Maddadi	.....	D26/128
D709,637 S	*	7/2014	Terzani	.....	D26/83
D725,306 S	*	3/2015	Salvagno	.....	D26/84
D754,911 S	*	4/2016	Arbel	.....	D26/118
D762,323 S	*	7/2016	Arbel	.....	D26/118
D773,099 S	*	11/2016	Sonneman	.....	D26/84

D773,101 S	*	11/2016	Sonneman	.....	D26/88
2003/0223238 A1	*	12/2003	Hsu	.....	F21V 3/04
					362/255
2016/0238229 A1	*	8/2016	Smitt	.....	F21V 23/06

**OTHER PUBLICATIONS**

Liquid LED pendant 2970 from sonnemanawayofflight.com. © 2017. Website visited May 11, 2017. (2 pages).\*  
Melt pendant light by Tom Dixon, found at ylighting.com, visited May 11, 2017.\*  
Hand-blown glass light collection from John Pomp Studios. All glass pendants shown in blog post dated Oct. 4, 2012. (3 pages).\*

\* cited by examiner

*Primary Examiner* — Clare E Heflin  
(74) *Attorney, Agent, or Firm* — Gottlieb, Rackman & Reisman, P.C.

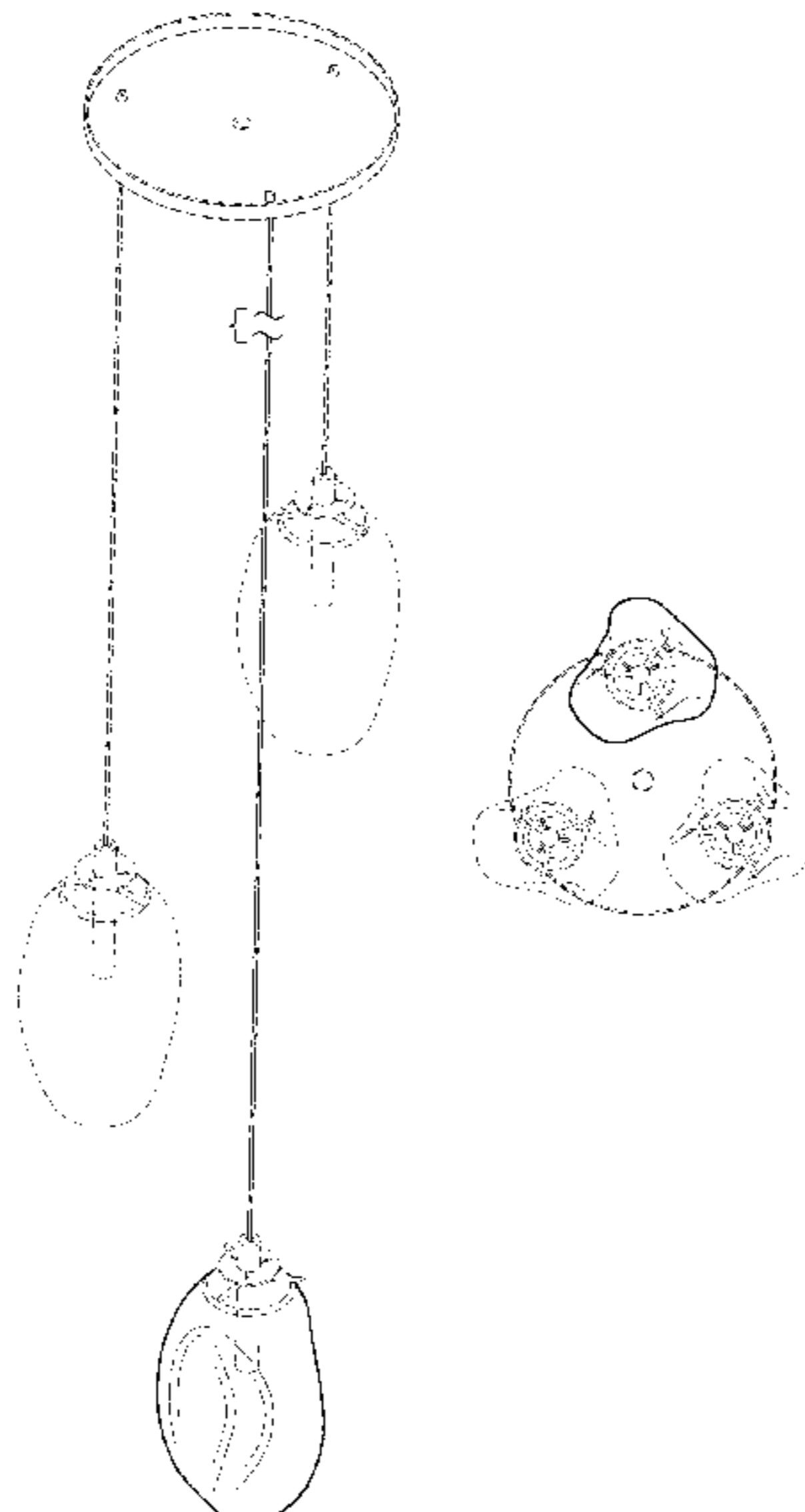
(57) **CLAIM**

The ornamental design for a light fixture, as shown and described.

**DESCRIPTION**

FIG. 1 is a perspective view of the light fixture showing my new design;  
FIG. 2 is a right side elevational view thereof;  
FIG. 3 is a left side elevational view thereof;  
FIG. 4 is a front elevational view thereof;  
FIG. 5 is a rear elevational view thereof;  
FIG. 6 is a top plan view thereof; and,  
FIG. 7 is a bottom plan view thereof.  
The break lines in FIGS. 1-5 are to indicate that the appearance of any portion of the light fixture between the break lines form no part of the claimed design, and the broken lines shown in the drawings are included for the purpose of illustrating portions of the article that form no part of the claimed design as well.

**1 Claim, 7 Drawing Sheets**



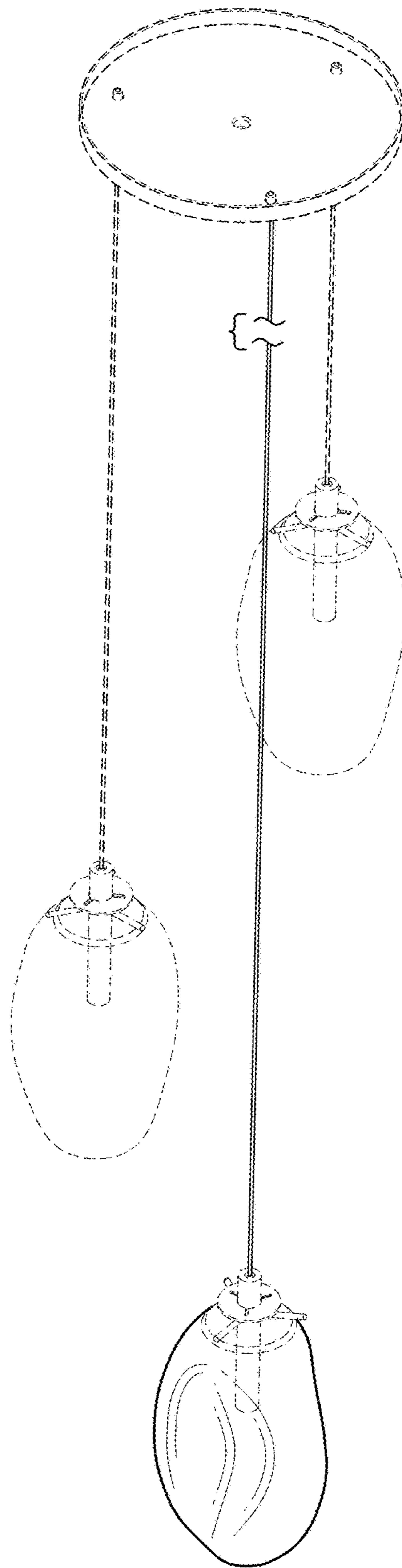


FIG. 1

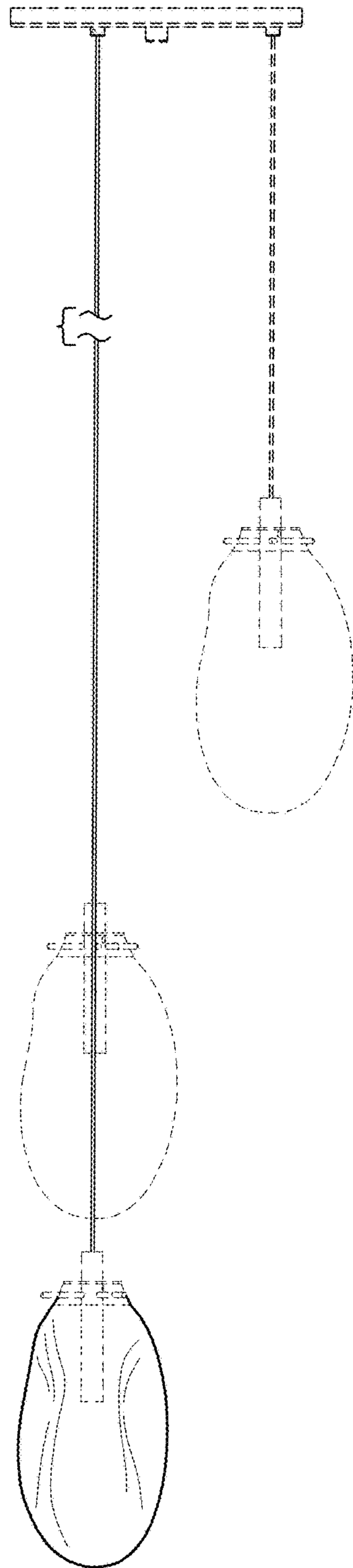


FIG.2

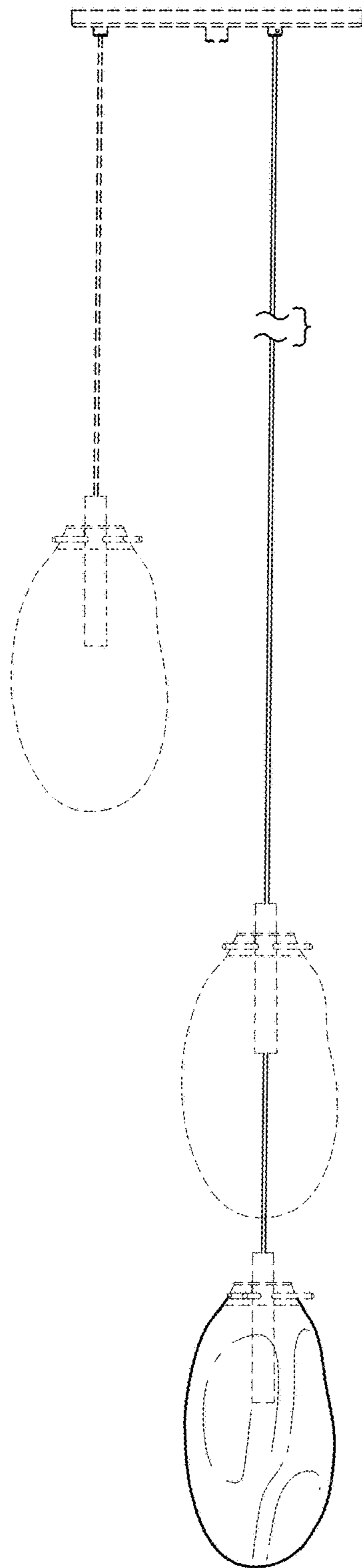


FIG. 3

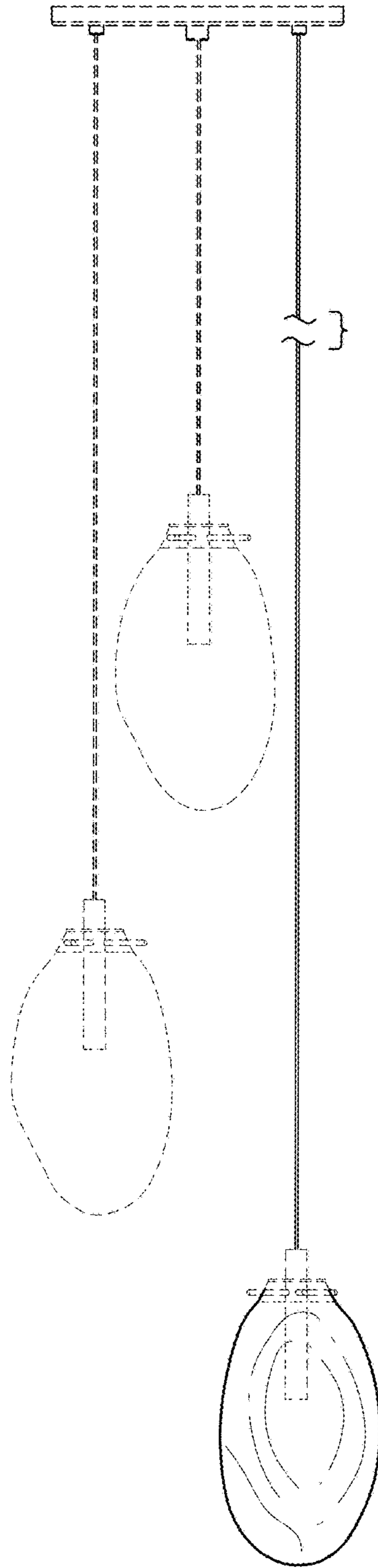


FIG.4

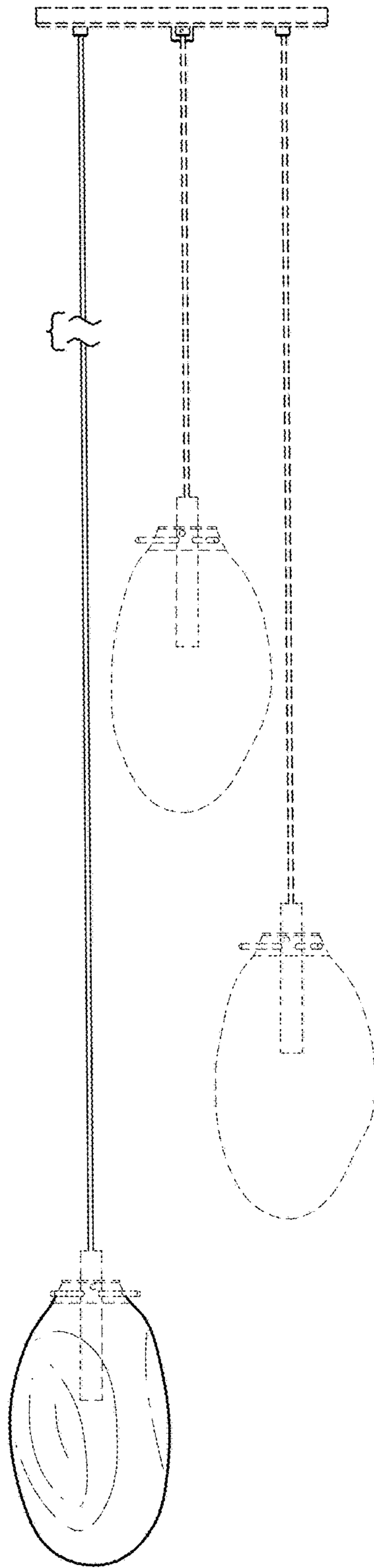


FIG. 5

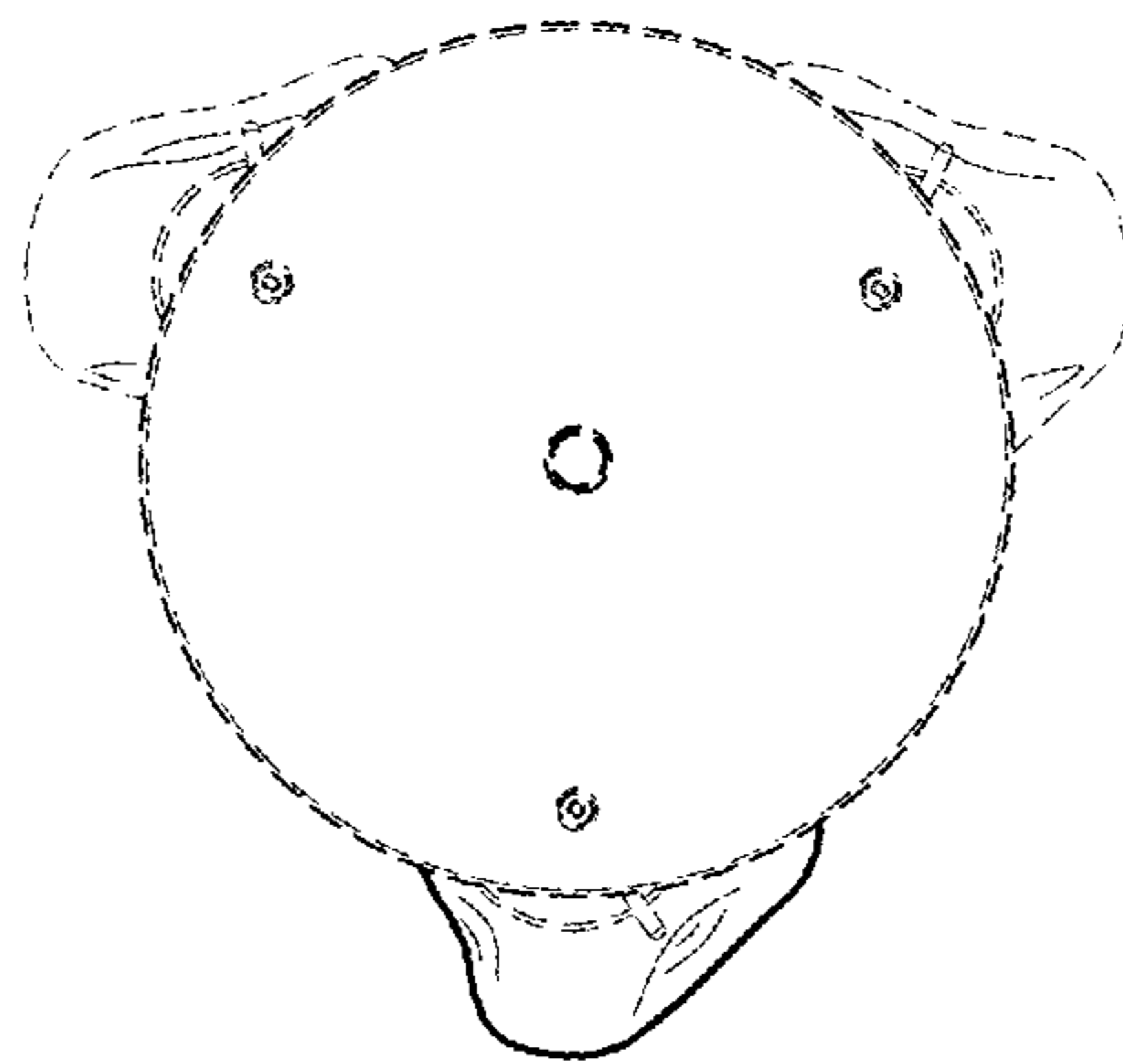


FIG. 6

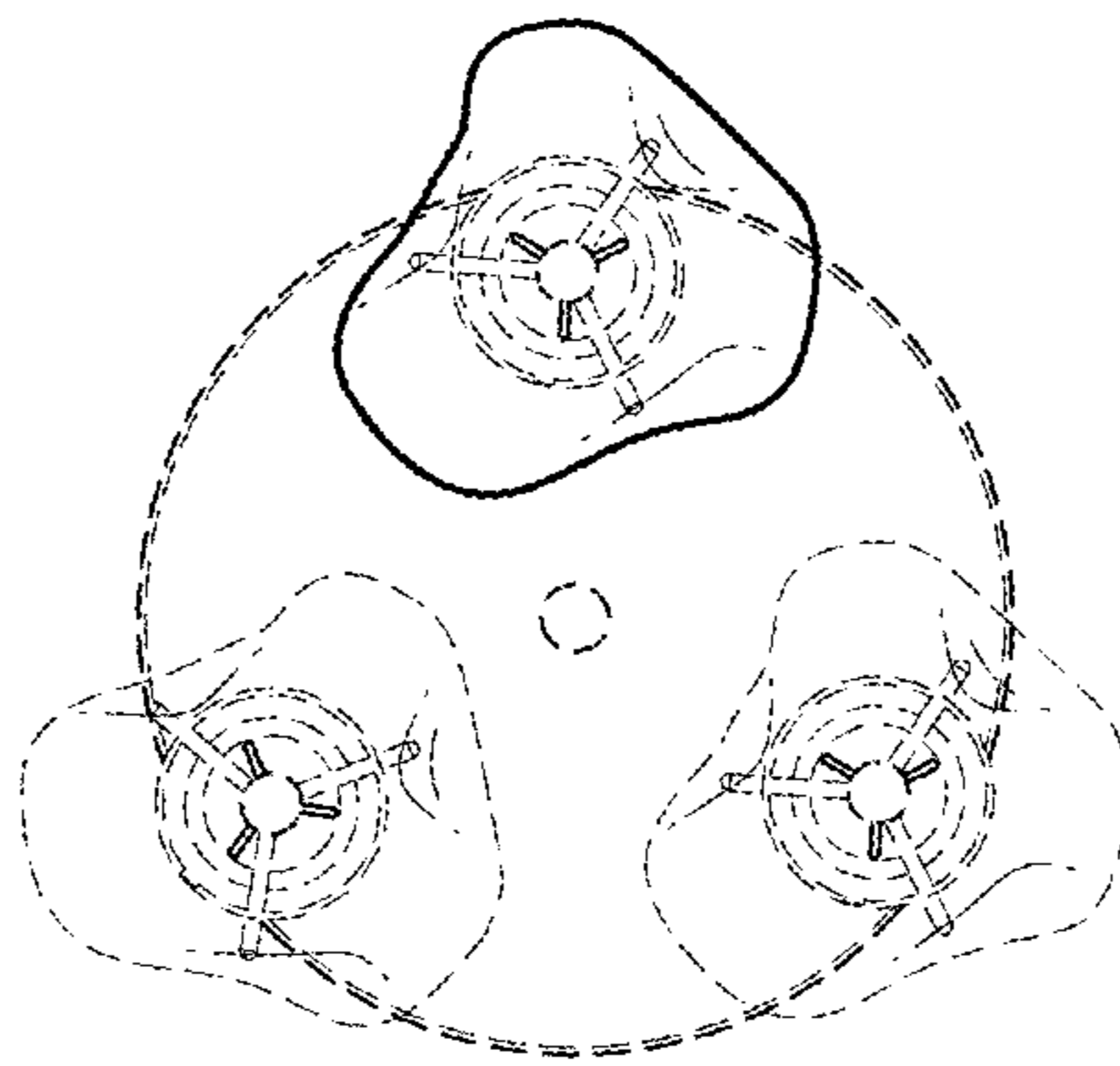


FIG. 7