



US00D792002S

(12) **United States Design Patent**  
**Zhao**

(10) **Patent No.:** **US D792,002 S**  
(45) **Date of Patent:** **\*\* Jul. 11, 2017**

(54) **PENDANT BILLIARD LUMINAIRE**

(71) Applicant: **Lite Systems, Inc.**, Newburgh, NY (US)

(72) Inventor: **Feng Zhao**, Newburgh, NY (US)

(73) Assignee: **Lite Systems, Inc.**, Newburgh, NY (US)

(\*\*) Term: **15 Years**

(21) Appl. No.: **29/561,003**

(22) Filed: **Apr. 12, 2016**

(51) **LOC (10) Cl.** ..... **26-03**

(52) **U.S. Cl.**  
USPC ..... **D26/84; D26/90**

(58) **Field of Classification Search**  
USPC ..... D26/76, 81, 83, 84, 86, 87, 88, 90, 91, D26/118

CPC .... F21S 8/04; F21S 8/043; F21S 8/046; F21S 8/06; F21S 8/061; F21S 8/063; F21S 8/065

See application file for complete search history.

(56) **References Cited**

**U.S. PATENT DOCUMENTS**

D123,049 S *	10/1940	Doane	.....	362/224
D139,670 S *	12/1944	Lippincott	.....	D26/76
D185,410 S *	6/1959	Bodian	.....	D26/76
D192,607 S *	4/1962	Cook	.....	D26/76
D192,608 S *	4/1962	Cook	.....	D26/76
D584,848 S *	1/2009	Menke	.....	D26/76
D611,182 S *	3/2010	Allen	.....	D26/76
D716,489 S *	10/2014	O'Leary	.....	D26/90
D763,496 S *	8/2016	Tran	.....	D26/88

D780,974 S *	3/2017	Scribante	.....	D26/76
2010/0110687 A1 *	5/2010	Zheng	.....	F21S 2/005 362/249.06
2016/0037139 A1 *	2/2016	Bacus	.....	H05B 37/0227 348/157
2016/0369981 A1 *	12/2016	Emde	.....	F21S 6/003

**OTHER PUBLICATIONS**

All LED Pool Table Lights from Xiaman Lincos Sport Co., LTD. Found at <<http://xmlinco.com>>, visited Mar. 30, 2017. (3 pages).\*

\* cited by examiner

*Primary Examiner* — Clare E Heflin

(74) *Attorney, Agent, or Firm* — Erickson Law Group, PC

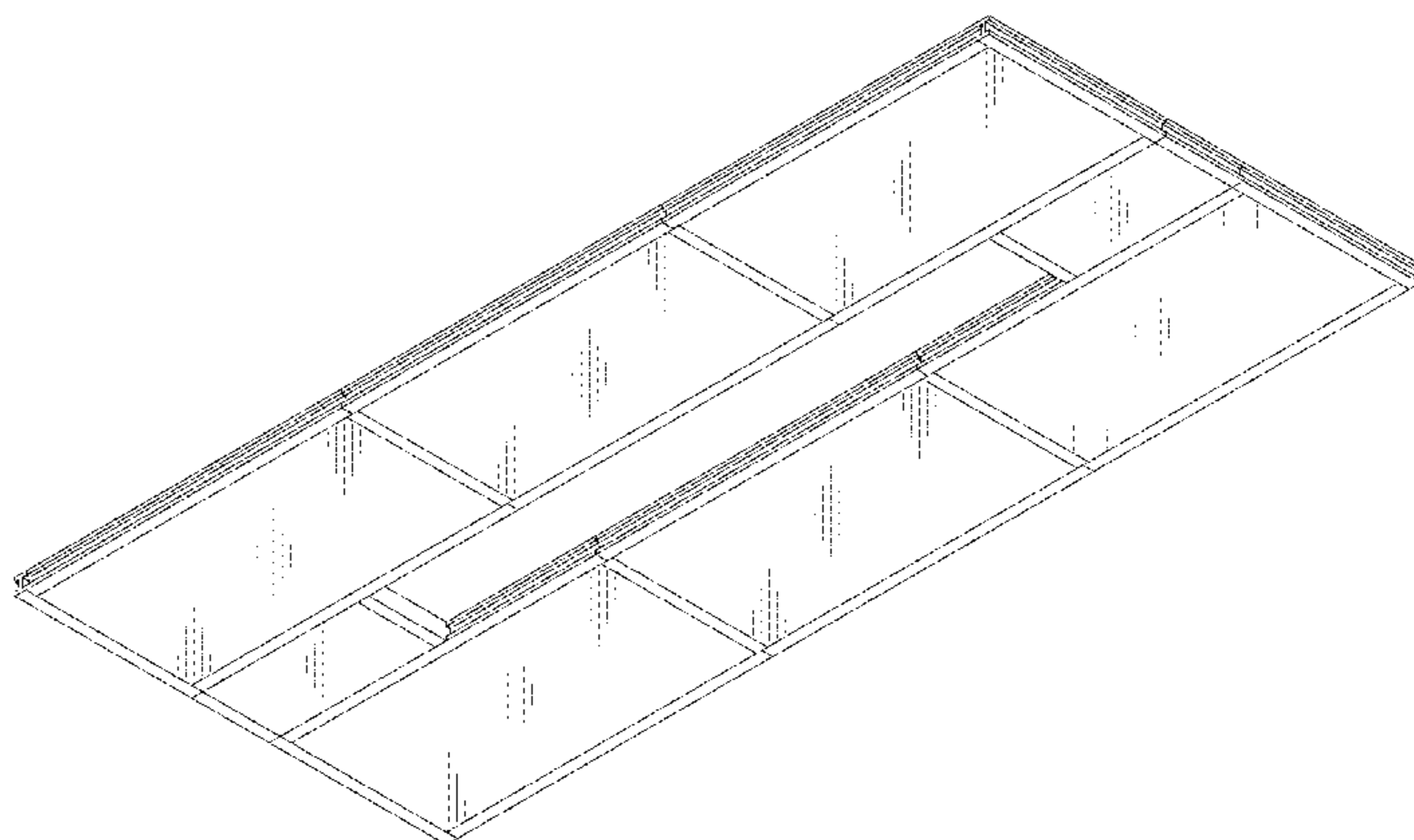
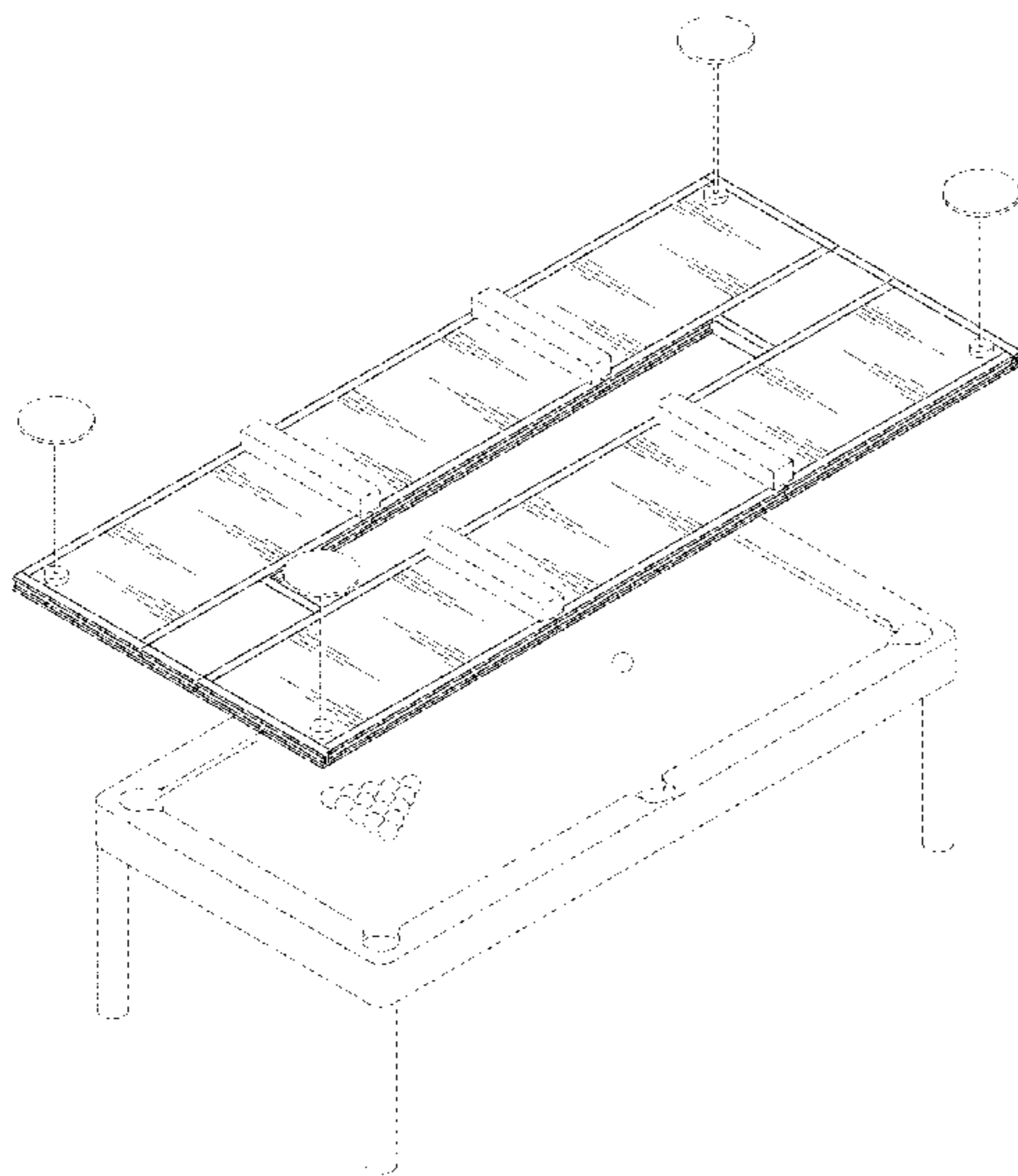
(57) **CLAIM**

The ornamental design for a pendant billiard luminaire, as shown and described.

**DESCRIPTION**

FIG. 1 is a top perspective view of a first embodiment of a pendant billiard luminaire showing the new design; FIG. 2 is a bottom plan view thereof; FIG. 3 is a bottom perspective view thereof; FIG. 4 is a front or rear elevation view thereof; FIG. 5 is a right or left end elevation view thereof; and, FIG. 6 is a bottom plan view of a second embodiment of a pendant billiard luminaire, comparable to FIG. 2 but wherein two center end panels have a more square shape than elongated rectangle, wherein the above FIGS. 1 and 3-5 are otherwise the same for the second embodiment, FIG. 6. The broken lines shown on the drawings depict portions of the pendant billiard luminaire that form no part of the claimed design.

**1 Claim, 5 Drawing Sheets**



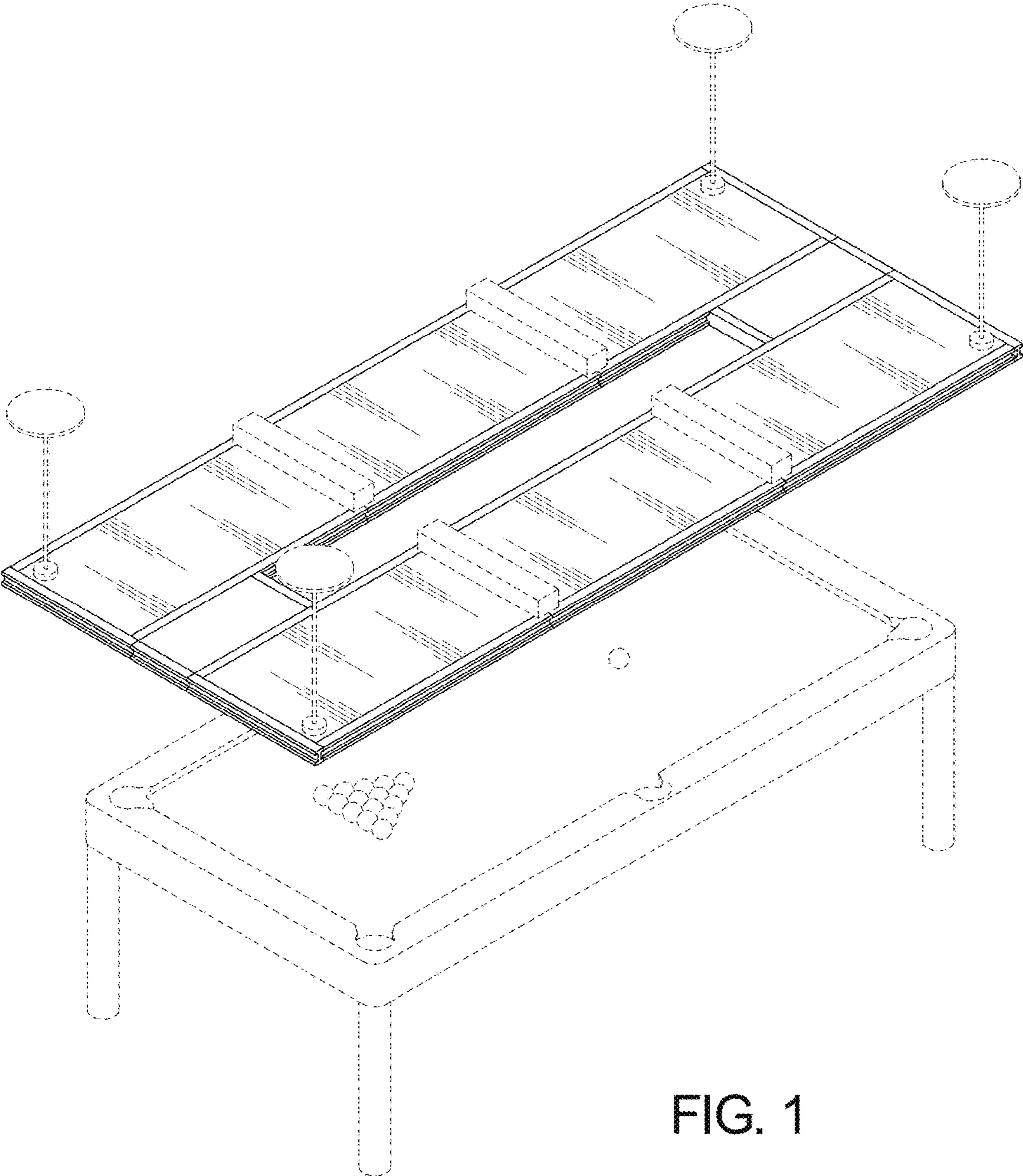


FIG. 1

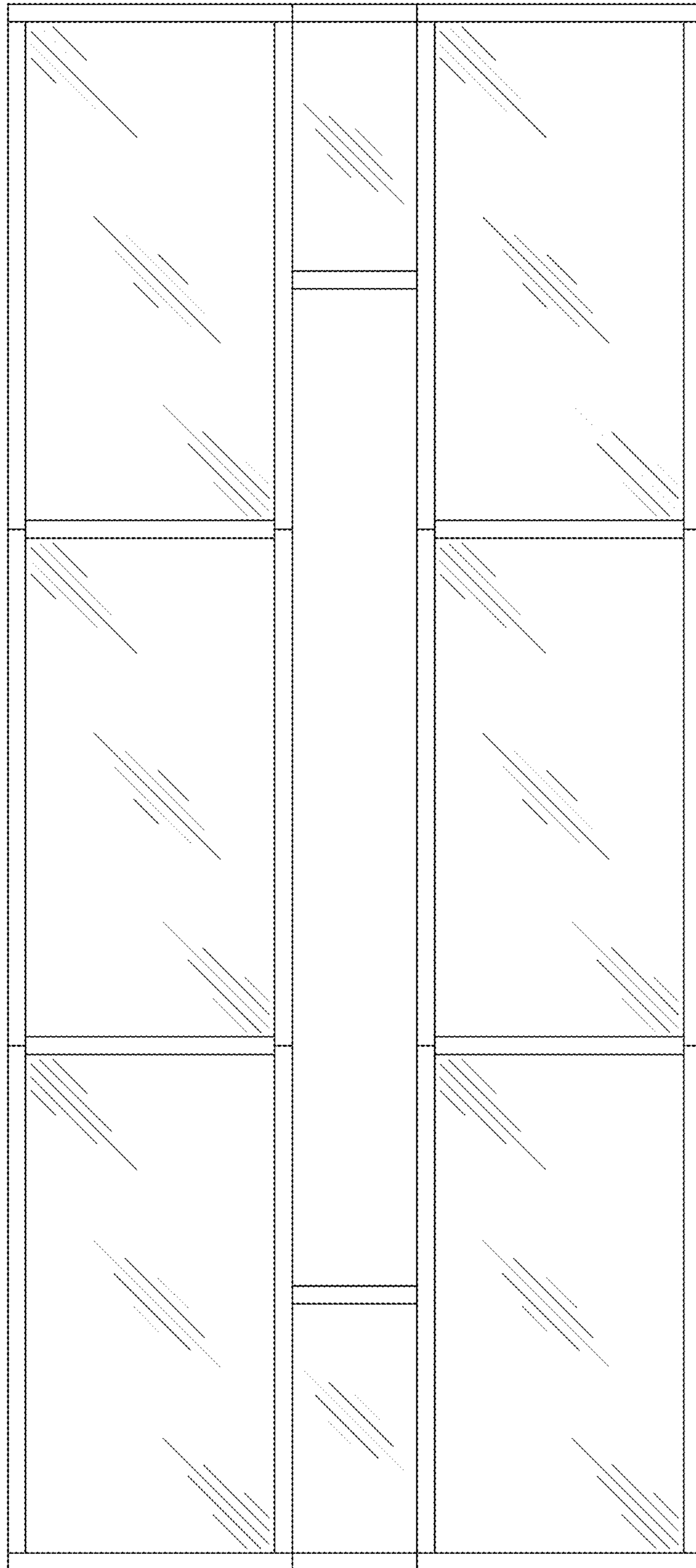


FIG. 2

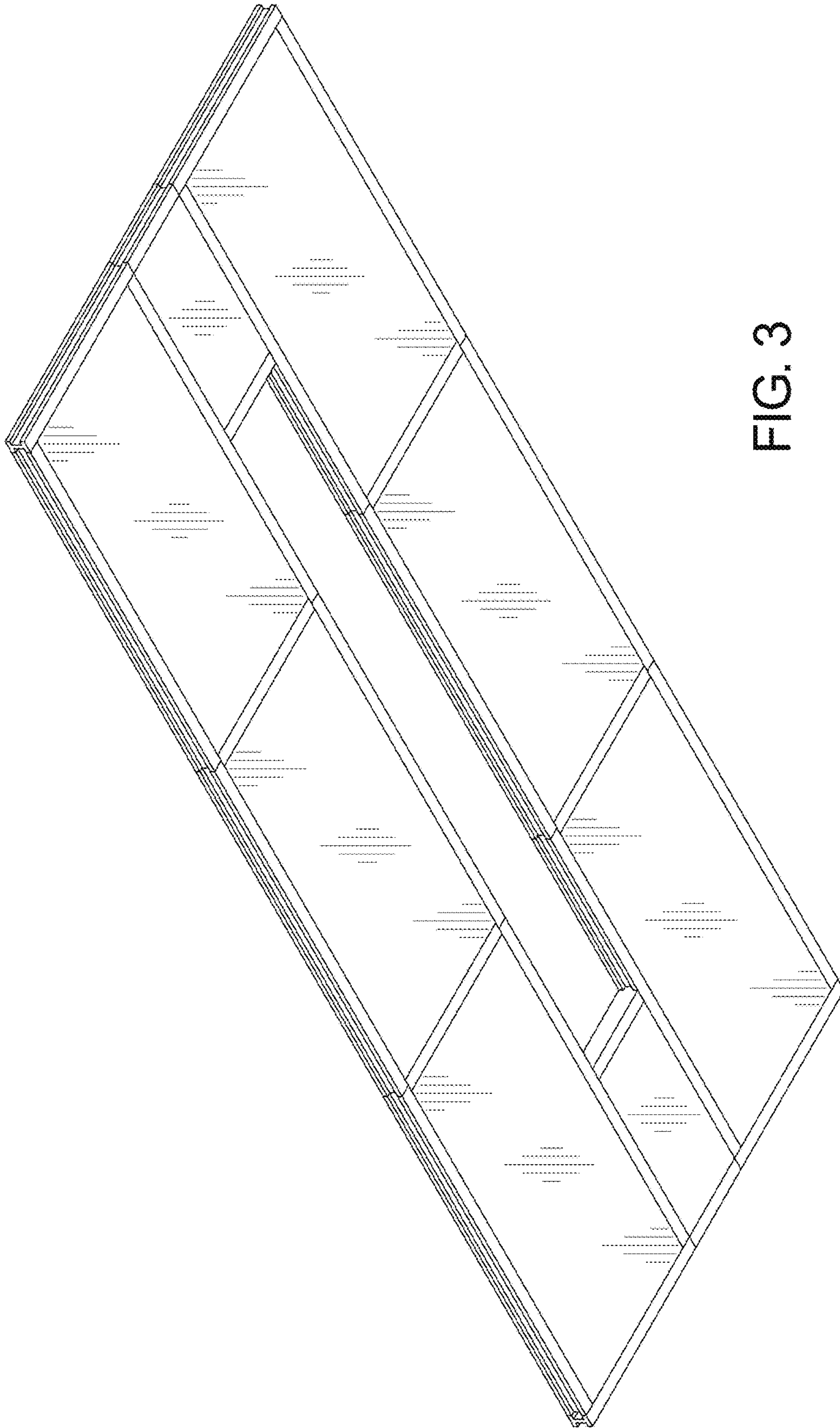


FIG. 3



FIG. 4



FIG. 5

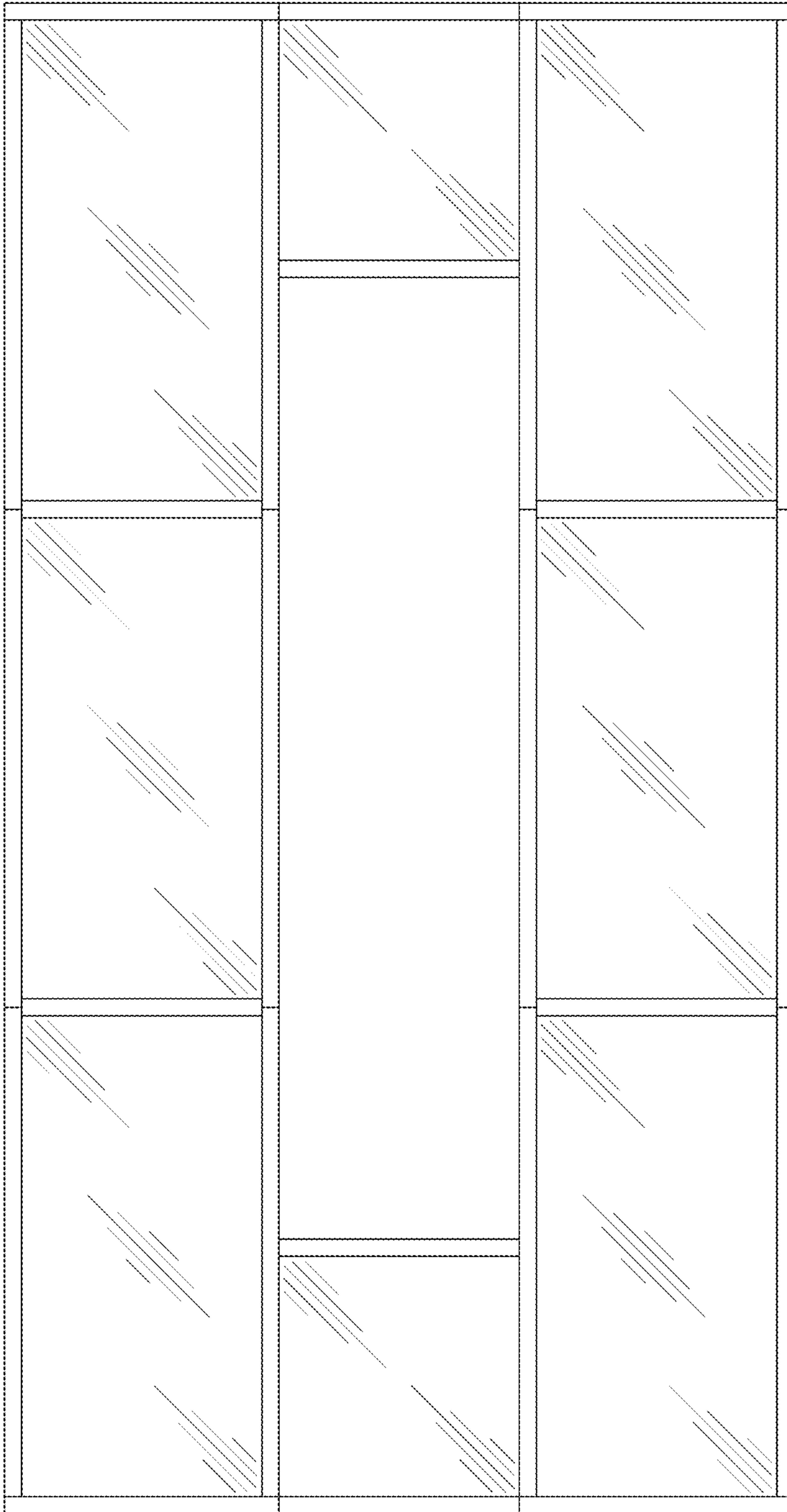


FIG. 6