



US00D791999S

(12) **United States Design Patent**
Hargreaves

(10) **Patent No.:** **US D791,999 S**
(45) **Date of Patent:** **** Jul. 11, 2017**

(54) **HORTICULTURE GROW LIGHT HOUSING**

D123,768 S * 12/1940 Scribner D26/78
D125,001 S 2/1941 Klingsick
D128,049 S 7/1941 Kurtz

(71) Applicant: **IP Holdings, LLC**, Vancouver, WA
(US)

(Continued)

(72) Inventor: **Doug Hargreaves**, Vancouver, WA
(US)

Primary Examiner — George D Kirschbaum

Assistant Examiner — Natasha Vujcic

(74) *Attorney, Agent, or Firm* — J. Douglas Wells

(73) Assignee: **IP Holdings, LLC**, Vancouver, WA
(US)

(57) **CLAIM**

The ornamental design for a horticulture grow light housing,
as shown and described.

(**) Term: **15 Years**

DESCRIPTION

(21) Appl. No.: **29/559,271**

(22) Filed: **Mar. 25, 2016**

Related U.S. Application Data

(62) Division of application No. 29/483,617, filed on Feb.
28, 2014, now Pat. No. Des. 756,016.

(51) **LOC (10) Cl.** **26-03**

(52) **U.S. Cl.**

USPC **D26/76**

(58) **Field of Classification Search**

USPC D26/76, 78, 79, 80, 81, 82, 83, 85, 86,
D26/88, 90, 113, 118, 119, 120, 121, 122,
D26/138, 139, 140, 141, 142

CPC F21S 2/00; F21S 4/00; F21S 4/003; F21S
4/005; F21S 4/006; F21S 4/007; F21S
4/008; F21S 6/00; F21S 8/00; F21S
8/024; F21S 8/026; F21S 8/031; F21S
8/033; F21S 8/035–8/037; F21S 8/04;
F21S 8/043; F21S 8/063

See application file for complete search history.

FIG. 1 is a bottom perspective view of a first embodiment of
a horticulture grow light housing, showing my new design;
FIG. 2 is a perspective view of the fixture shown in FIG. 1,
as viewed from above;

FIG. 3 is a left side view of the fixture shown in FIG. 1;

FIG. 4 is a right side view of the fixture shown in FIG. 1;

FIG. 5 is a front elevation view of the fixture shown in FIG.
1;

FIG. 6 is a rear elevation view of the fixture shown in FIG.
1;

FIG. 7 is a top plan view of the fixture shown in FIG. 1;

FIG. 8 is a bottom plan view of the fixture shown in FIG. 1;

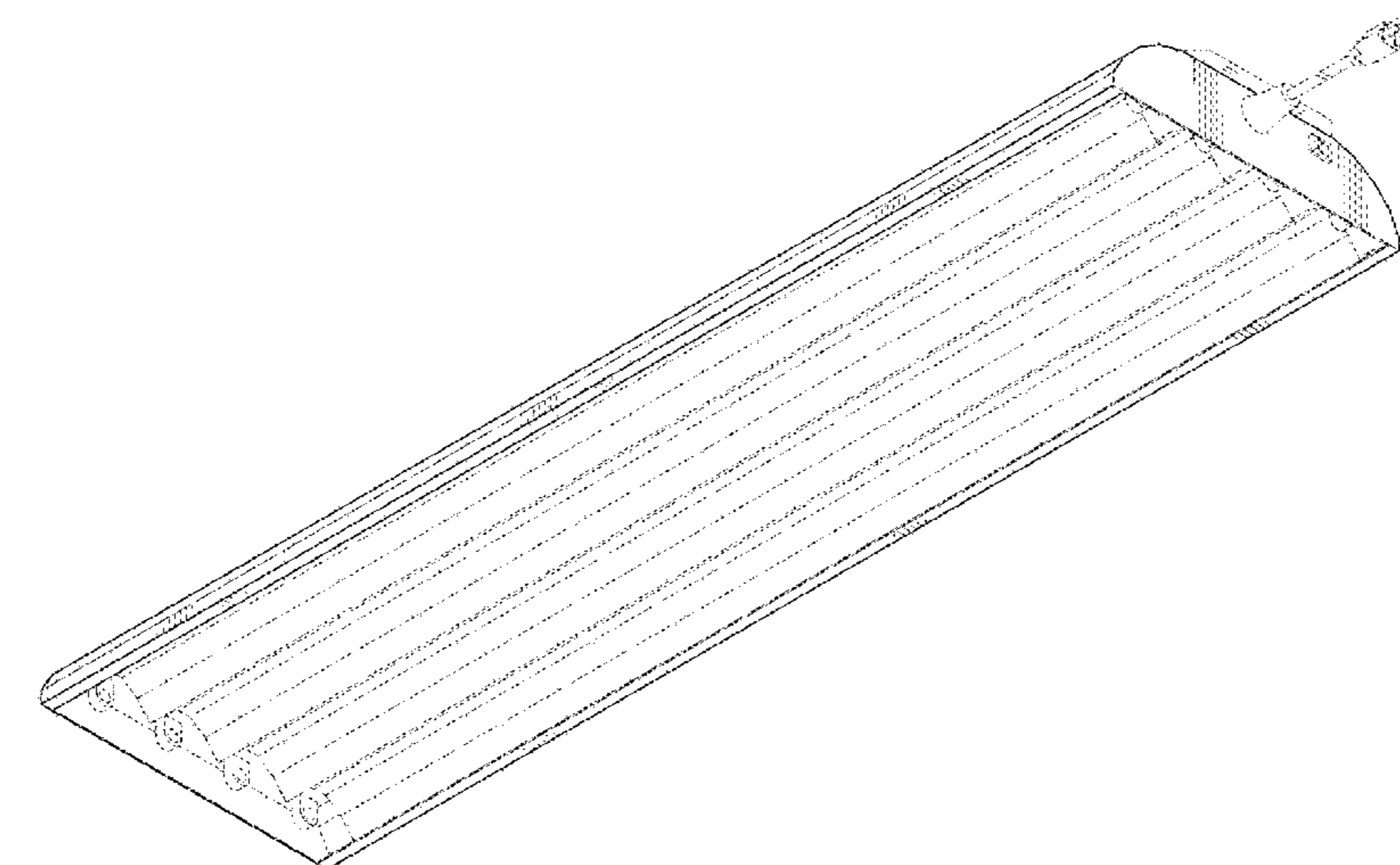
FIG. 9 is a bottom perspective view of a second embodiment
of a horticulture grow light housing, lined for a contrasted
color;

FIG. 10 is a perspective view of the fixture shown in FIG.
9, as viewed from above;

FIG. 11 is a bottom perspective view of a third embodiment
of a horticulture grow light housing, lined for another
contrasted color; and,

FIG. 12 is a perspective view of the fixture shown in FIG.
11, as viewed from above.

The broken-line disclosure shown in the views is understood
to represent portions of the article in which the claimed
design is embodied, but which form no part of the claimed
design.



1 Claim, 8 Drawing Sheets

(56) **References Cited**

U.S. PATENT DOCUMENTS

1,410,945 A 3/1922 Walker
D122,145 S * 8/1940 MacCarthy 362/219

(56)

References Cited

U.S. PATENT DOCUMENTS

D133,216 S *	7/1942	Parlato	D26/78	7,083,309 B2	8/2006	Chan	
2,327,552 A	7/1943	Poehling		D542,460 S	5/2007	Hargreaves	
2,379,798 A	10/1945	Guth		D543,651 S	5/2007	Hargreaves	
D147,812 S	11/1947	Picker		D543,652 S	5/2007	Hargreaves	
2,619,583 A	11/1952	Baumgartner		D543,653 S	5/2007	Hargreaves	
D180,533 S	6/1957	Stevens		D543,654 S	5/2007	Hargreaves	
2,899,541 A	8/1959	De Mauro		D544,129 S	6/2007	Hargreaves	
D186,329 S	10/1959	Guth		D544,130 S	6/2007	Hargreaves	
D187,337 S	3/1960	Arnold		D544,139 S	6/2007	Hargreaves	
D198,183 S *	5/1964	Akely	D26/76	D544,626 S	6/2007	Hargreaves	
D202,648 S	10/1965	Meyer		D544,980 S	6/2007	Hargreaves	
3,836,765 A	9/1974	Ritzow		D544,981 S	6/2007	Hargreaves	
3,860,829 A	1/1975	Fabbri		D544,982 S	6/2007	Hargreaves	
4,078,169 A	3/1978	Armstrong		D544,983 S	6/2007	Hargreaves	
D259,738 S	6/1981	Boschetti		D544,985 S	6/2007	Hargreaves	
4,342,072 A	7/1982	Guritz		D544,995 S	6/2007	Hargreaves	
D277,416 S	1/1985	Brown		D545,475 S	6/2007	Hargreaves	
4,799,134 A *	1/1989	Pinch	F21V 7/16 362/217.06	D545,484 S	6/2007	Hargreaves	
D306,773 S *	3/1990	Roulstone	D26/78	D545,485 S	6/2007	Hargreaves	
D311,597 S	10/1990	Poot		7,524,090 B2	4/2009	Hargreaves	
5,025,356 A	6/1991	Gawad		D592,786 S	5/2009	Bisberg	
D323,897 S	2/1992	Compton		7,534,011 B2	5/2009	Townsley	
5,089,940 A	2/1992	Lanzarone		D595,894 S	7/2009	Verfuert	
5,113,328 A	5/1992	Foster		D596,778 S	7/2009	Yamazato	
5,195,822 A	3/1993	Takahashi		D603,999 S	11/2009	Fowler	
D344,605 S	2/1994	Aspenwall		7,628,506 B2	12/2009	Verfuert	
D349,358 S	8/1994	Herst		D614,801 S	4/2010	Collins	
D352,126 S	11/1994	Ruud		7,784,966 B2	8/2010	Verfuert	
D361,393 S	8/1995	Vakil		D632,418 S	2/2011	Bisberg	
5,440,470 A	8/1995	Ly		D634,060 S	3/2011	Wardenburg	
5,479,327 A	12/1995	Chen		D634,469 S	3/2011	Hargreaves	
D375,180 S	10/1996	Lyons		7,972,044 B2	7/2011	Burkhauser	
D376,437 S	12/1996	Karlo		7,982,376 B2	7/2011	Keen	
D383,560 S	9/1997	Palmer		8,136,958 B2	3/2012	Verfuert	
D391,382 S	2/1998	Rahn		8,322,011 B2	12/2012	Hargreaves	
D399,328 S	10/1998	Compton		D675,365 S	1/2013	Beghelli	
D400,289 S	10/1998	Wardenburg		D675,369 S	1/2013	Michaud	
D405,907 S	2/1999	Herst		8,376,583 B2	2/2013	Wang	
D415,304 S	10/1999	Brown		D693,959 S	11/2013	Boyer	
D417,303 S	11/1999	Rahn		D698,986 S	2/2014	Reynolds	
D418,626 S	1/2000	Herst		D703,858 S	4/2014	Miller	
6,024,468 A	2/2000	Kassay		D704,372 S	5/2014	Speier	
D428,516 S	7/2000	Reo		D711,037 S	8/2014	Lehman	
D430,688 S	9/2000	Plunk		8,905,575 B2	12/2014	Durkee	
D431,876 S	10/2000	Lewis		D723,206 S	2/2015	Lewis, Jr.	
D445,943 S	7/2001	Littman		8,960,950 B2	2/2015	Risley	
D446,333 S	8/2001	Frois		D731,701 S	6/2015	Hargreaves	
D447,266 S	8/2001	Verfuert		D732,235 S	6/2015	Reynolds	
D447,272 S	8/2001	Smith		D732,236 S	6/2015	Reynolds	
6,299,327 B1	10/2001	Camarota		D735,931 S *	8/2015	Lehman	D26/121
D456,551 S	4/2002	Rusello		D736,450 S	8/2015	Reynolds	
D456,552 S	4/2002	Rusello		D740,486 S	10/2015	Stanley	
D456,553 S	4/2002	Rusello		D747,029 S	1/2016	Reynolds	
D456,927 S	5/2002	Rusello		D748,849 S	2/2016	Stanley	
D456,928 S	5/2002	Rusello		D750,316 S	2/2016	Reynolds	
D456,938 S	5/2002	Wardenburg		D751,244 S	3/2016	Reynolds	
D463,059 S	9/2002	Verfuert		D751,247 S	3/2016	Reynolds	
D465,869 S	11/2002	Bodell		D756,016 S	5/2016	Hargreaves	
6,527,422 B1	3/2003	Hutchison		D757,325 S	5/2016	Stanley	
6,585,396 B1	7/2003	Verfuert		D757,326 S	5/2016	Reynolds	
6,595,662 B2	7/2003	Wardenburg		D757,327 S	5/2016	Reynolds	
D485,635 S *	1/2004	Schuetz	D26/76	D761,477 S *	7/2016	Guercio	D26/76
D487,598 S *	3/2004	Schuetz	D26/76	2002/0141195 A1	10/2002	Peter	
D494,700 S	8/2004	Hartman		2005/0201088 A1 *	9/2005	Stach	F21V 23/026 362/225
D497,026 S	10/2004	Hand		2006/0055293 A1	3/2006	Ngai	
D499,504 S	12/2004	Meyer		2007/0211457 A1	9/2007	Mayfield	
6,908,212 B2	6/2005	Schultz		2008/0117617 A1	5/2008	Hargreaves	
D520,173 S	5/2006	Plunk		2008/0205071 A1	8/2008	Townsley	
D521,172 S	5/2006	Chen		2010/0149791 A1 *	6/2010	McCane	F21S 8/04 362/147
				2011/0183308 A1	7/2011	Hsu	

* cited by examiner

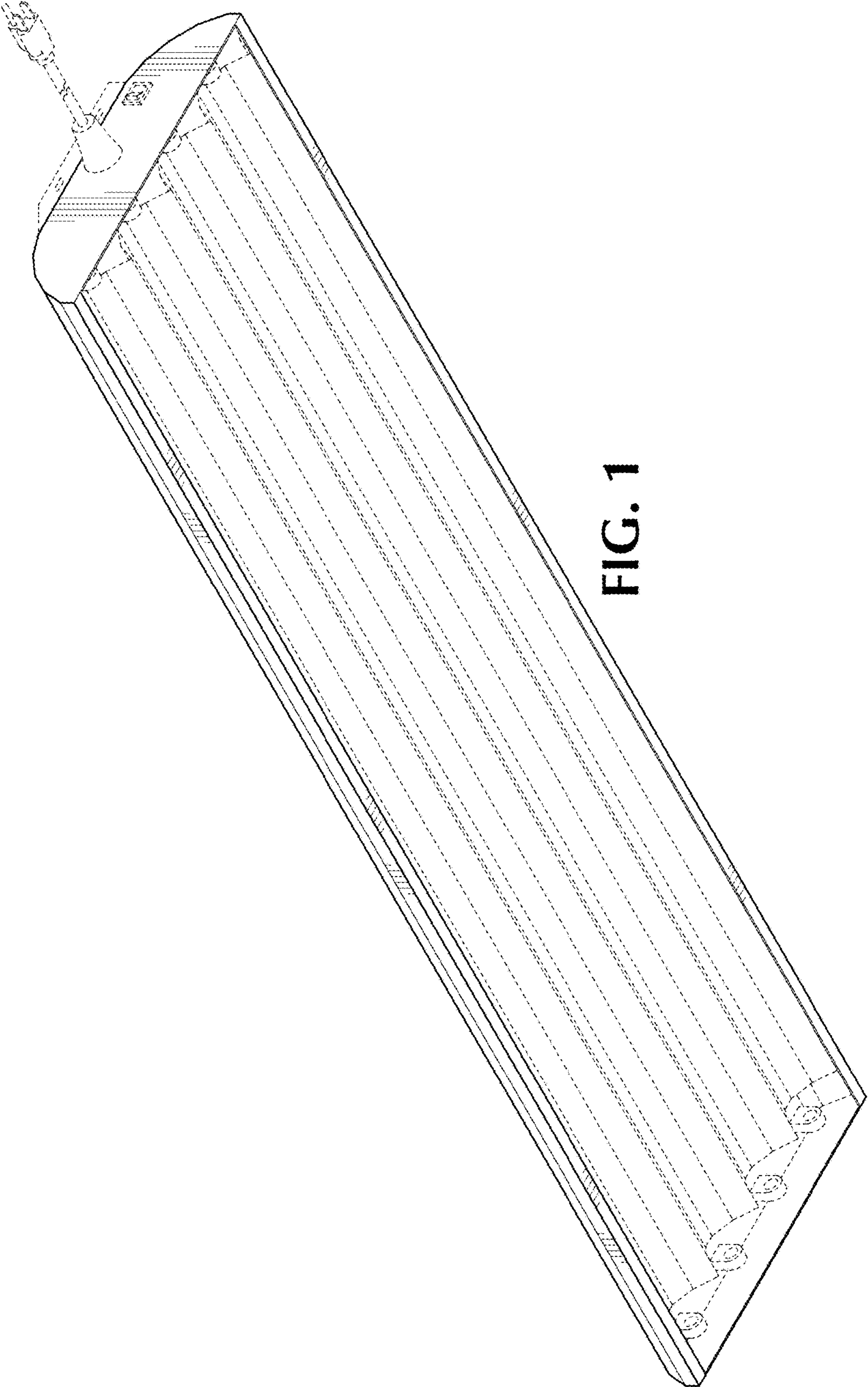


FIG. 1

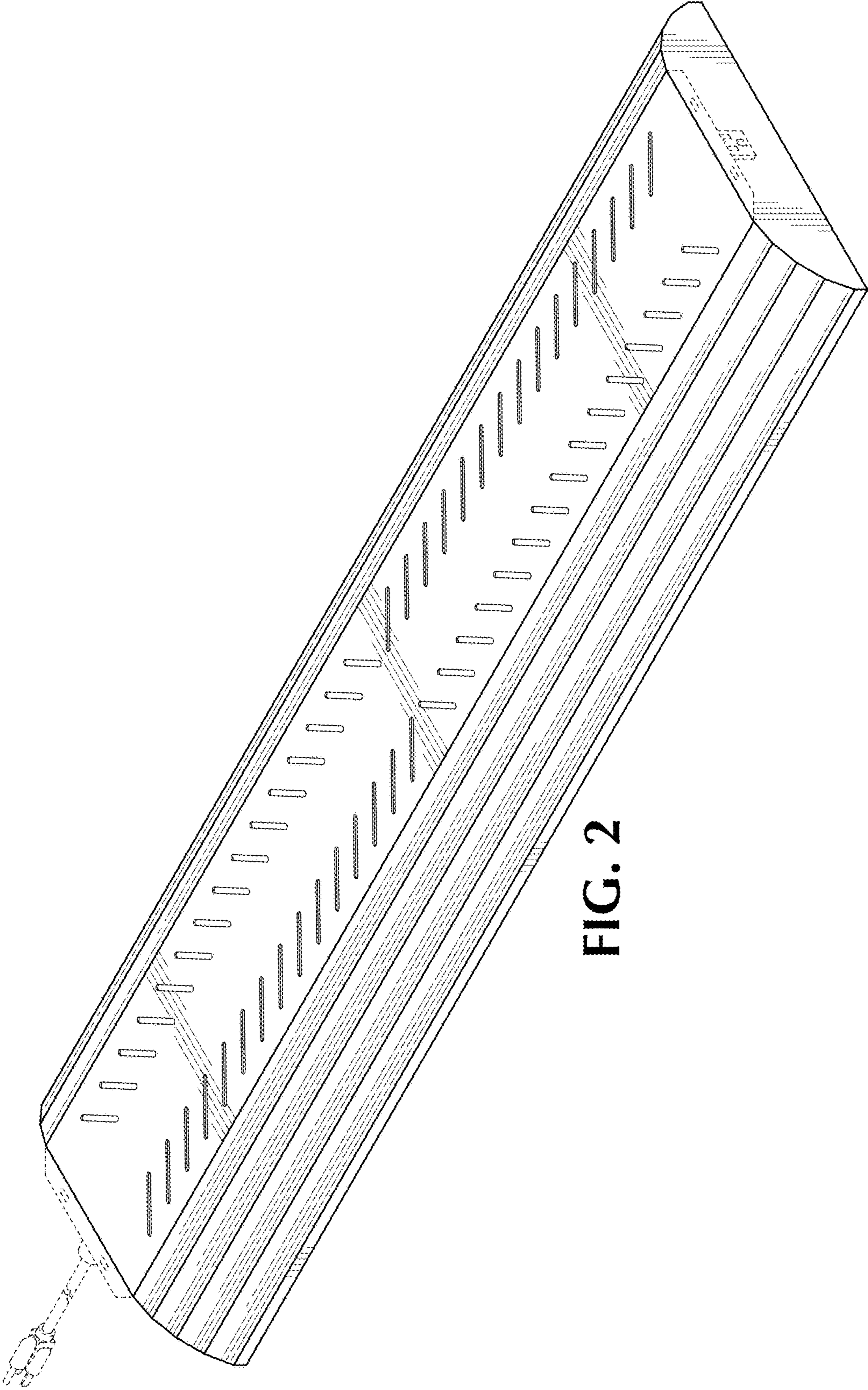


FIG. 2

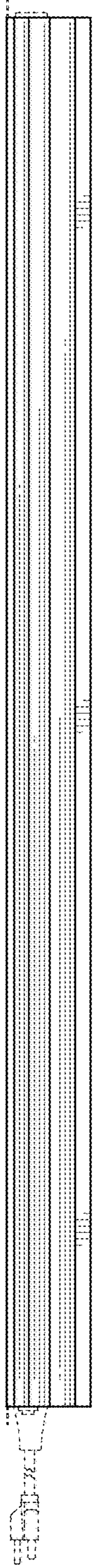


FIG. 3

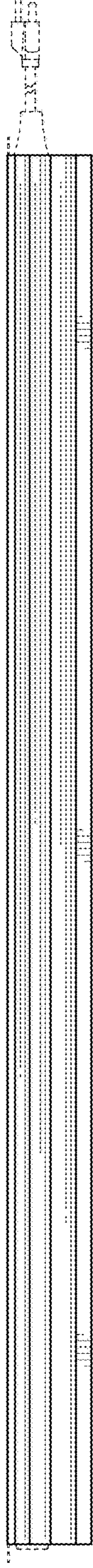


FIG. 4

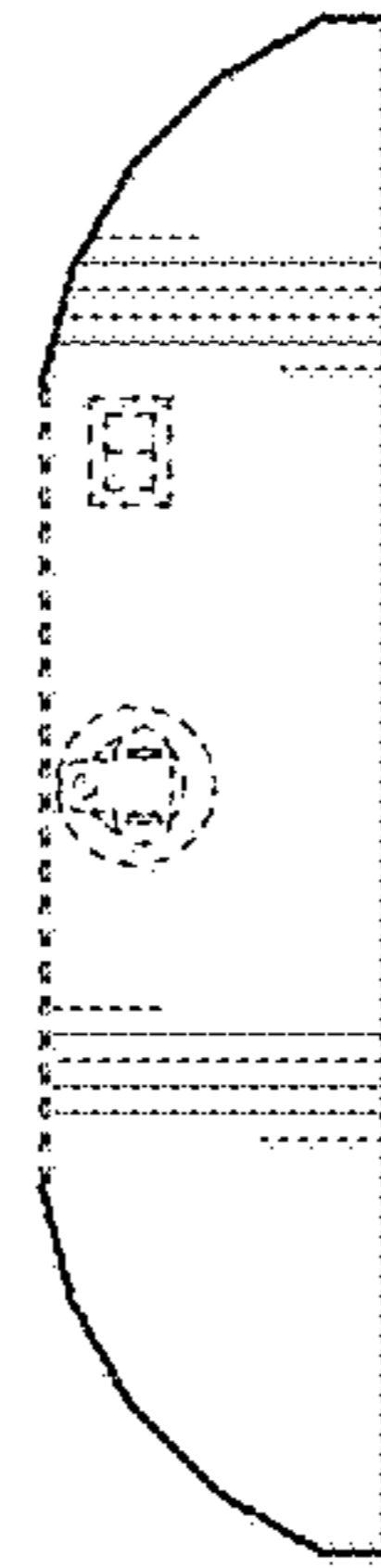


FIG. 5

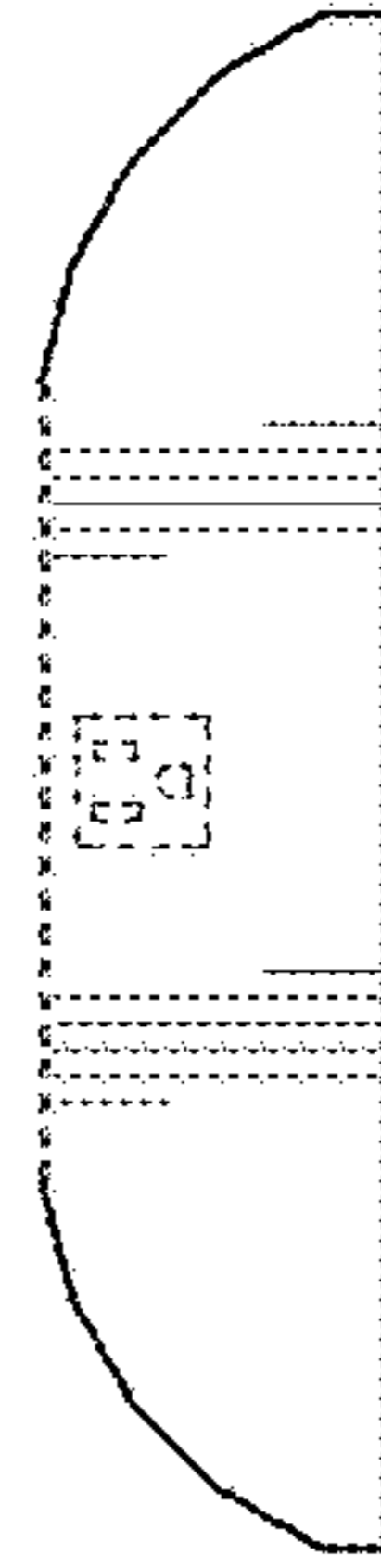


FIG. 6

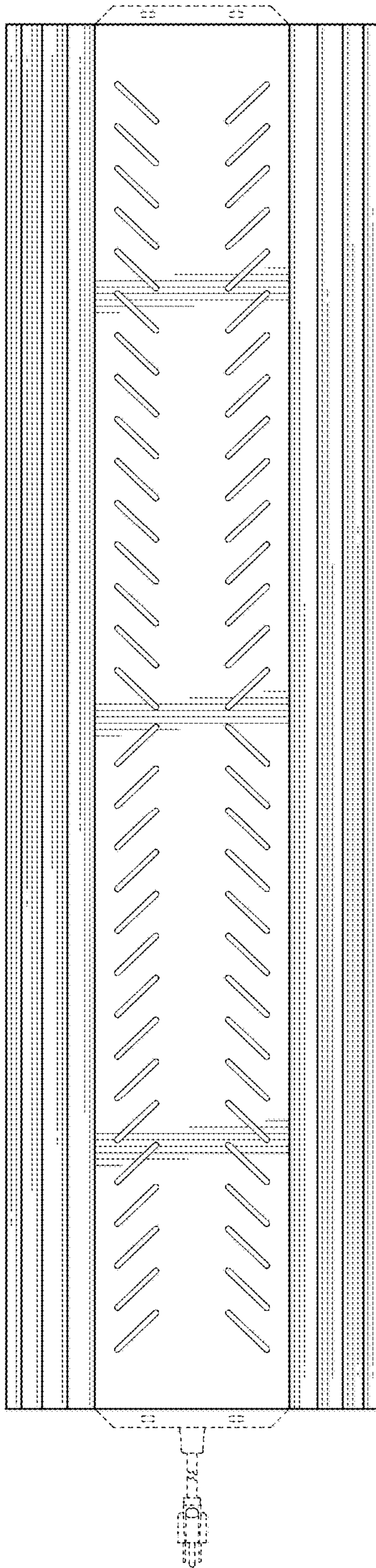


FIG. 7

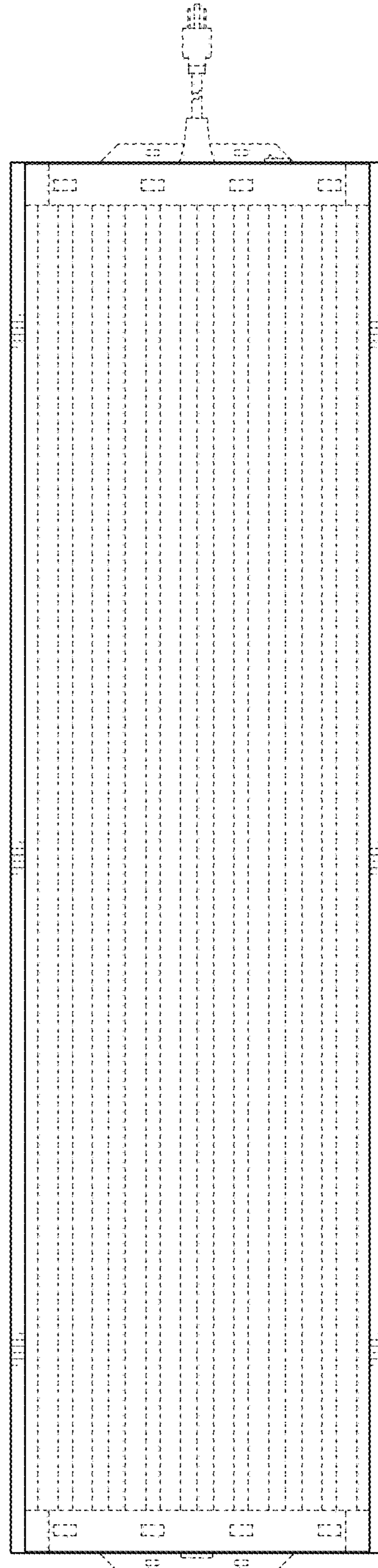


FIG. 8

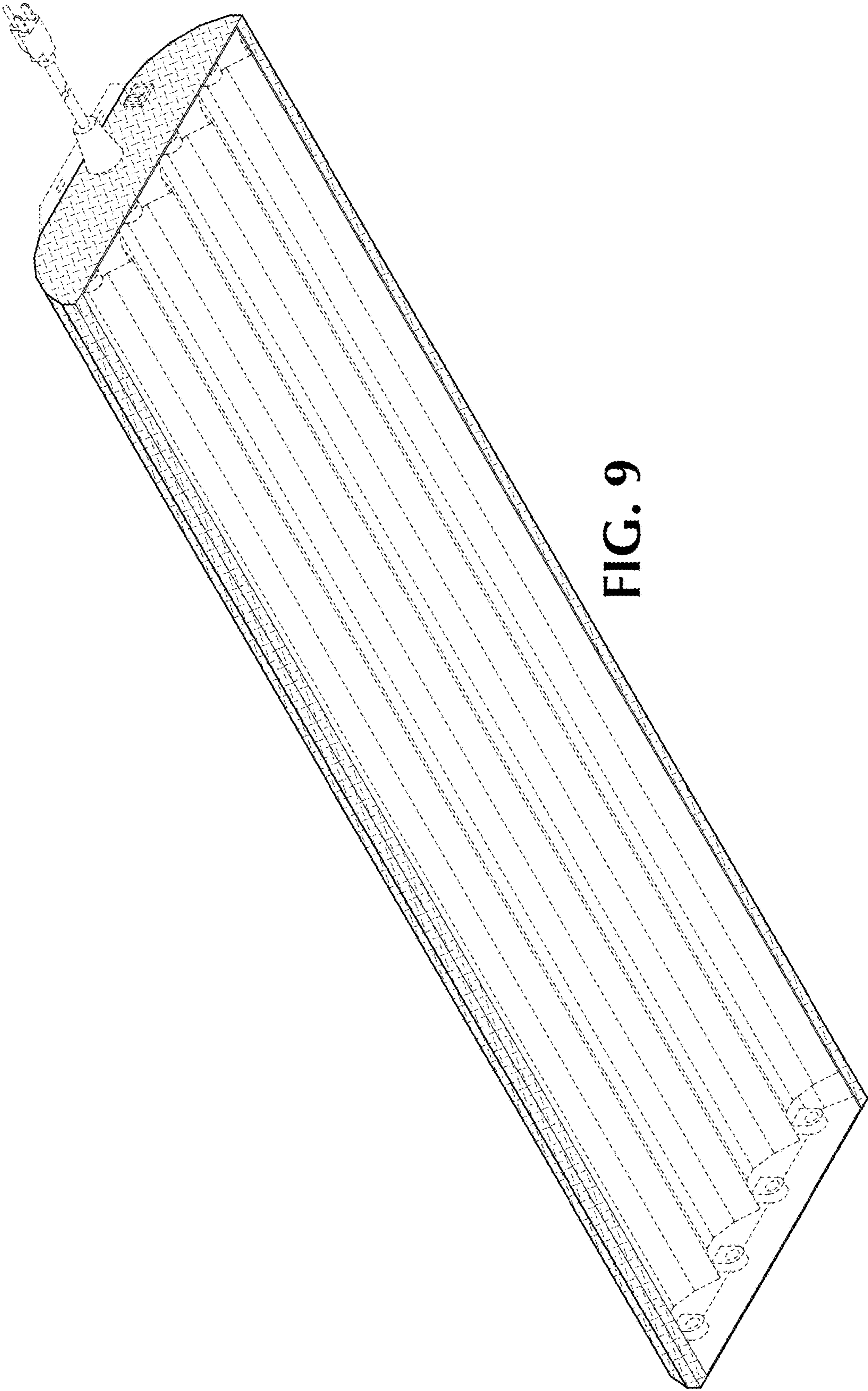


FIG. 9

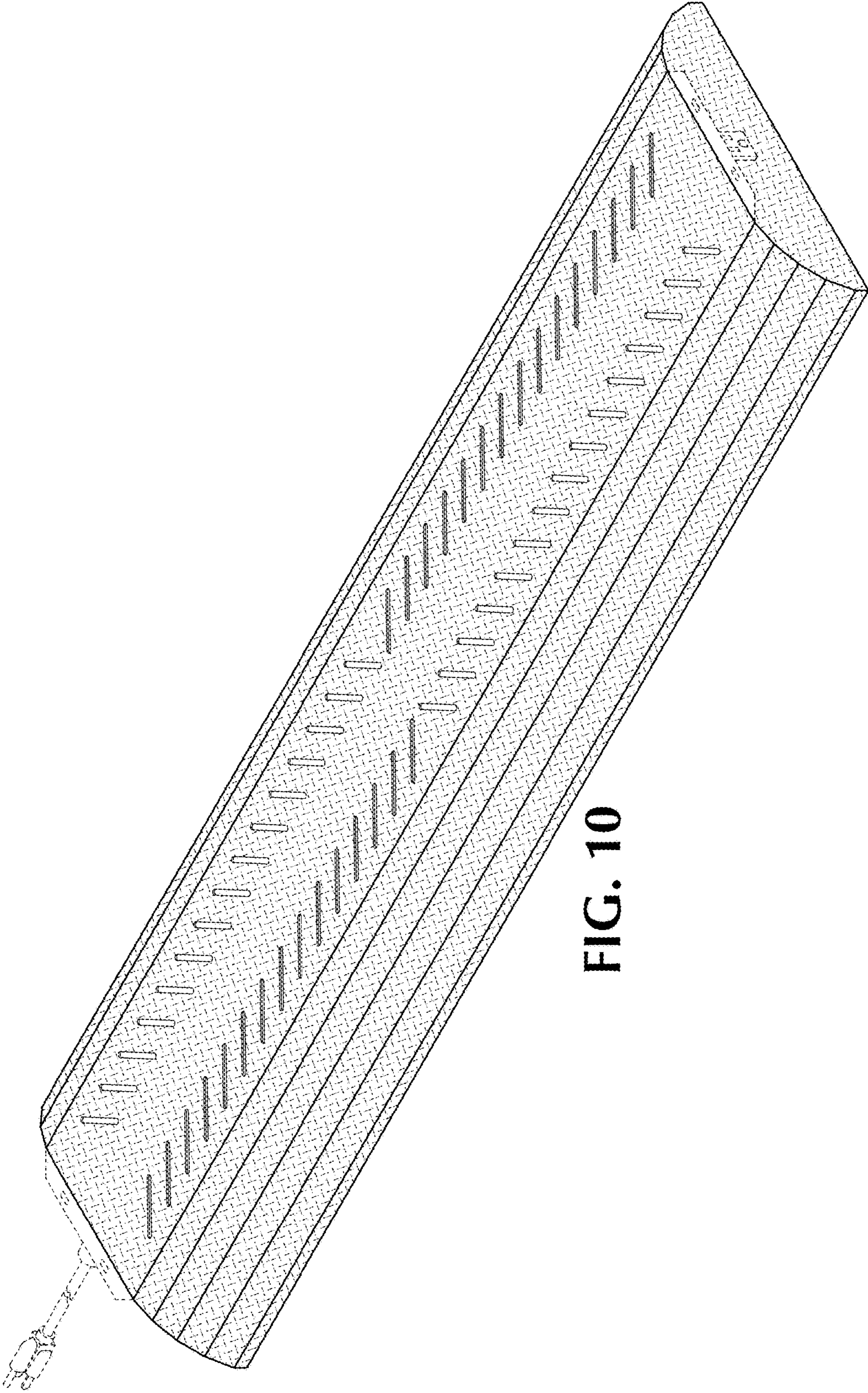


FIG. 10

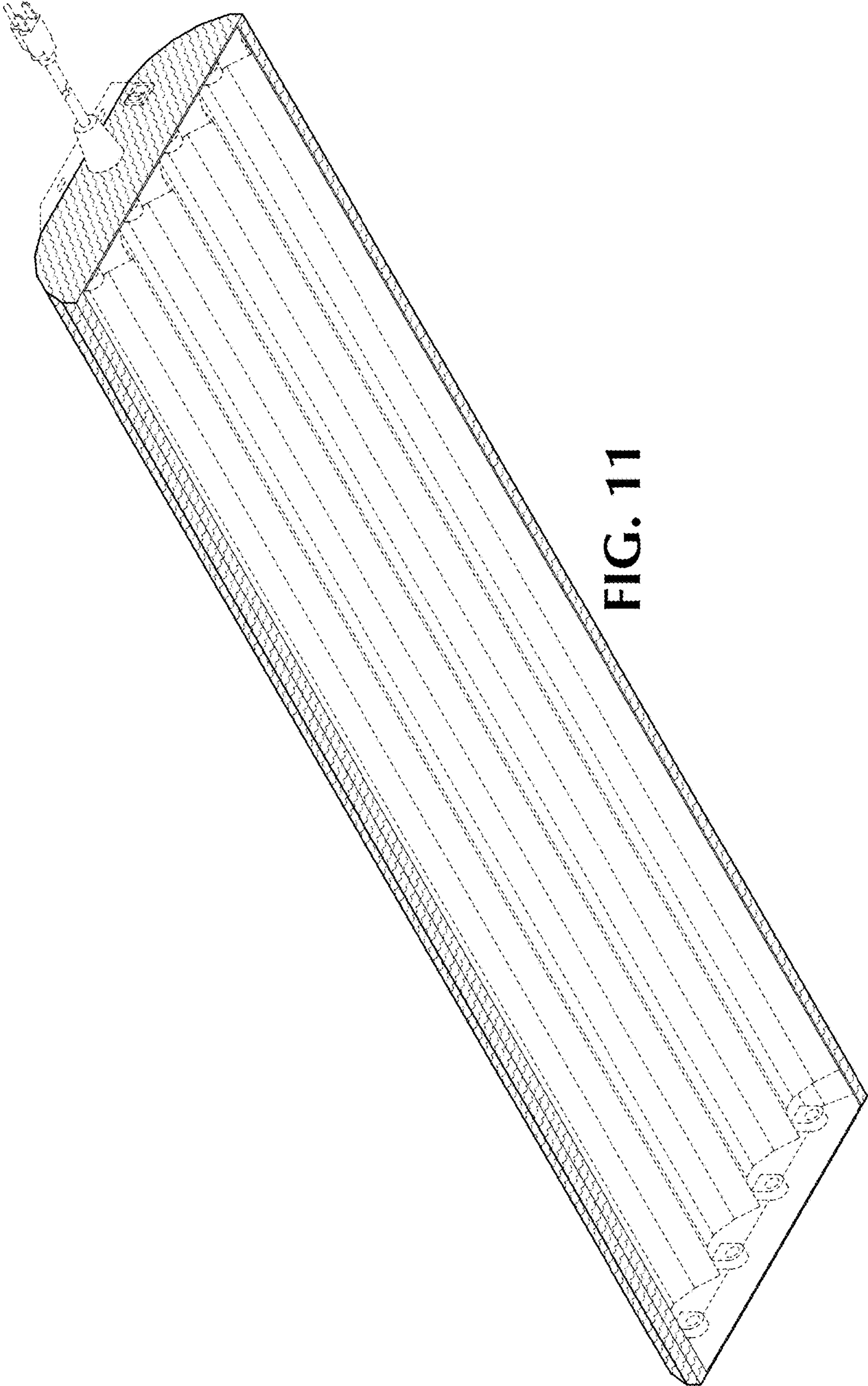


FIG. 11

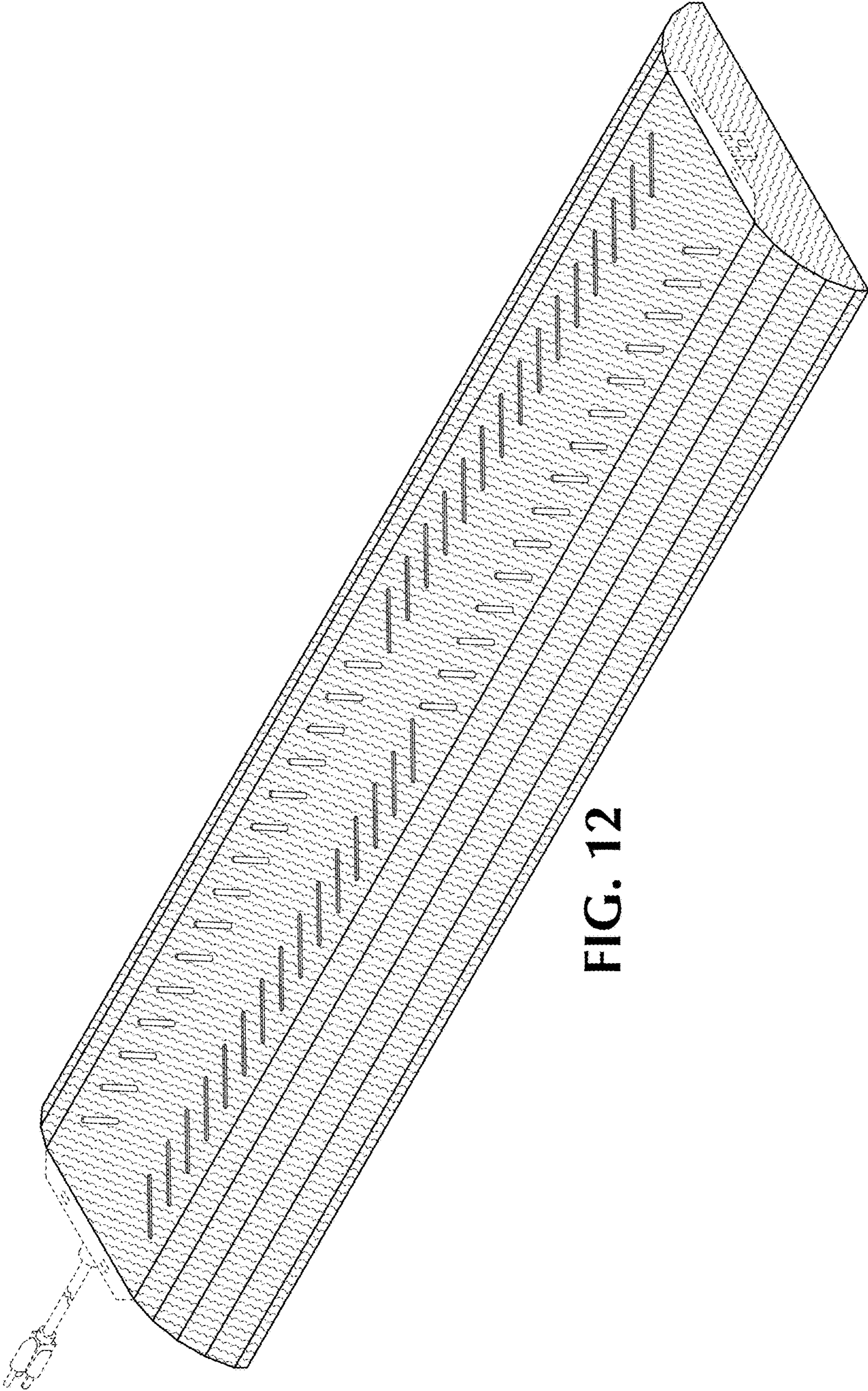


FIG. 12