



US00D791998S

(12) **United States Design Patent**  
**Lonsdale**

(10) **Patent No.:** **US D791,998 S**

(45) **Date of Patent:** **\*\* Jul. 11, 2017**

(54) **LUMINAIRE**

(71) Applicant: **Zumtobel Lighting GmbH**, Dornbirn (AT)

(72) Inventor: **Julian Lonsdale**, Bregenz (AT)

(73) Assignee: **ZUMBOTEL LIGHTING GMBH**, Dornbirn (AT)

(\*\*) Term: **15 Years**

(21) Appl. No.: **29/532,162**

(22) Filed: **Jul. 2, 2015**

(30) **Foreign Application Priority Data**

Jan. 2, 2015 (EM) ..... 002607986

(51) **LOC (10) Cl.** ..... **26-03**

(52) **U.S. Cl.**  
USPC ..... **D26/76**

(58) **Field of Classification Search**

USPC ..... D26/24, 39, 59, 67, 68, 69, 70, 71, 72,  
D26/74, 77, 80, 88, 89, 138, 139, 140,  
D26/141, 142, 151, 152

CPC ..... F21V 17/12; F21V 17/18; F21V 21/002;  
F21V 21/043; F21V 21/047; F21V 21/06;  
F21V 21/084; F21V 21/14; F21V 23/04;  
F21V 33/00

See application file for complete search history.

(56) **References Cited**

**U.S. PATENT DOCUMENTS**

D295,329 S \* 4/1988 Roos ..... D26/104  
D329,919 S \* 9/1992 Jahn ..... D26/77

D330,269 S \* 10/1992 Hong ..... D26/76  
D569,027 S \* 5/2008 Hakamada ..... D26/76  
D610,293 S \* 2/2010 Klaus ..... D26/76  
D624,229 S \* 9/2010 Adolph ..... D26/76  
D646,422 S \* 10/2011 Chung ..... D26/75  
D647,241 S \* 10/2011 Takahashi ..... D26/72  
D660,498 S \* 5/2012 Chung ..... D26/75  
D732,226 S \* 6/2015 Hartman ..... D26/76

\* cited by examiner

*Primary Examiner* — George D Kirschbaum

*Assistant Examiner* — Natasha Vujcic

(74) *Attorney, Agent, or Firm* — Scully Scott Murphy and Presser; Frank Digiglio

(57) **CLAIM**

The ornamental design for luminaire, as shown and described.

**DESCRIPTION**

FIG. 1 illustrates a perspective view of a luminaire showing my new design;

FIG. 2 illustrates a side view thereof;

FIG. 3 illustrates another side view thereof;

FIG. 4 illustrates another side view thereof;

FIG. 5 illustrates another side view thereof;

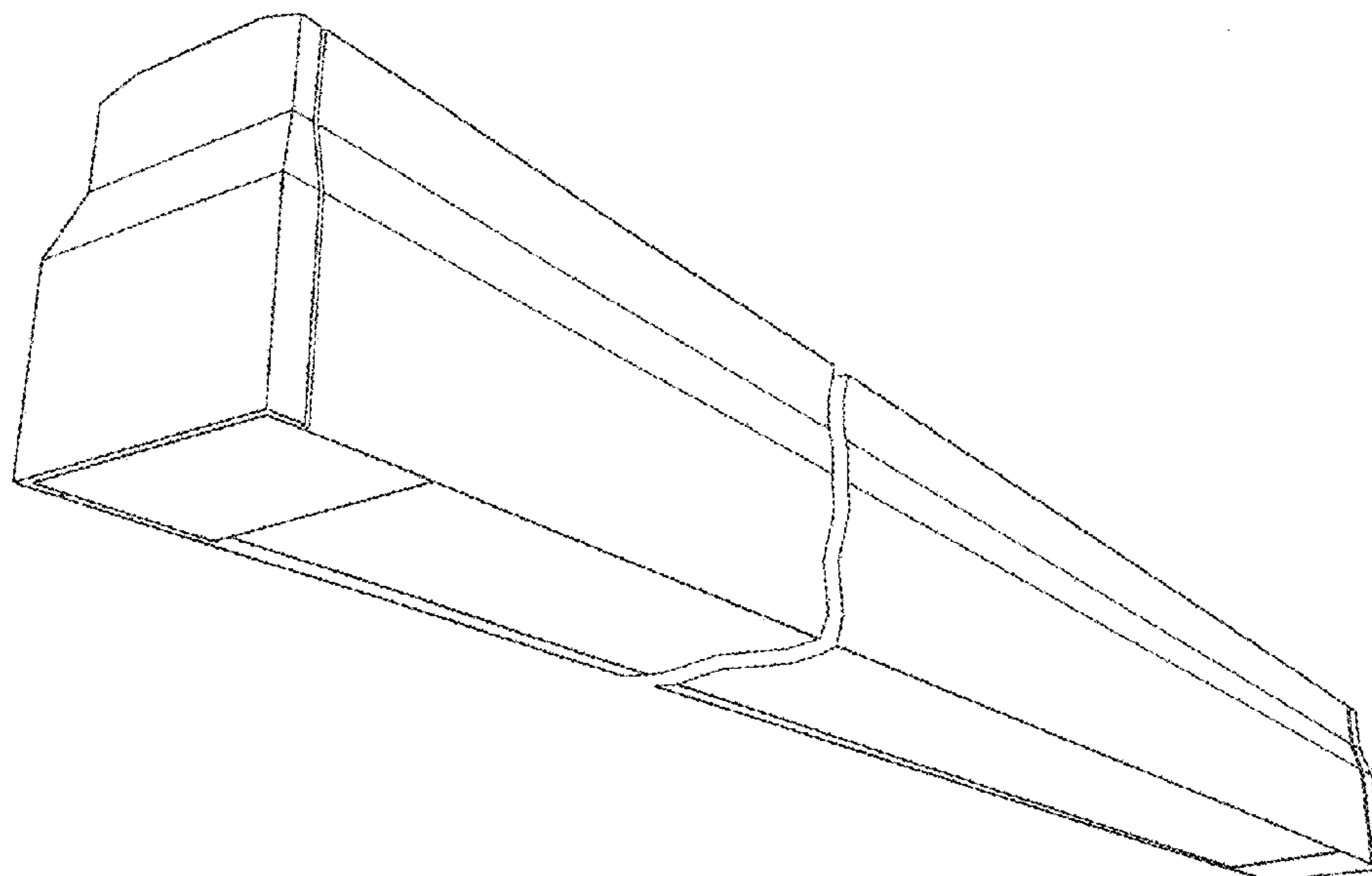
FIG. 6 illustrates a bottom view thereof; and,

FIG. 7 illustrates a top view thereof.

The break lines in the drawings indicate that the appearance of any portion of the luminaire between the break lines forms no part of the claimed design.

The portions of the luminaire shown in broken lines in the figures form no part of the claimed design.

**1 Claim, 3 Drawing Sheets**



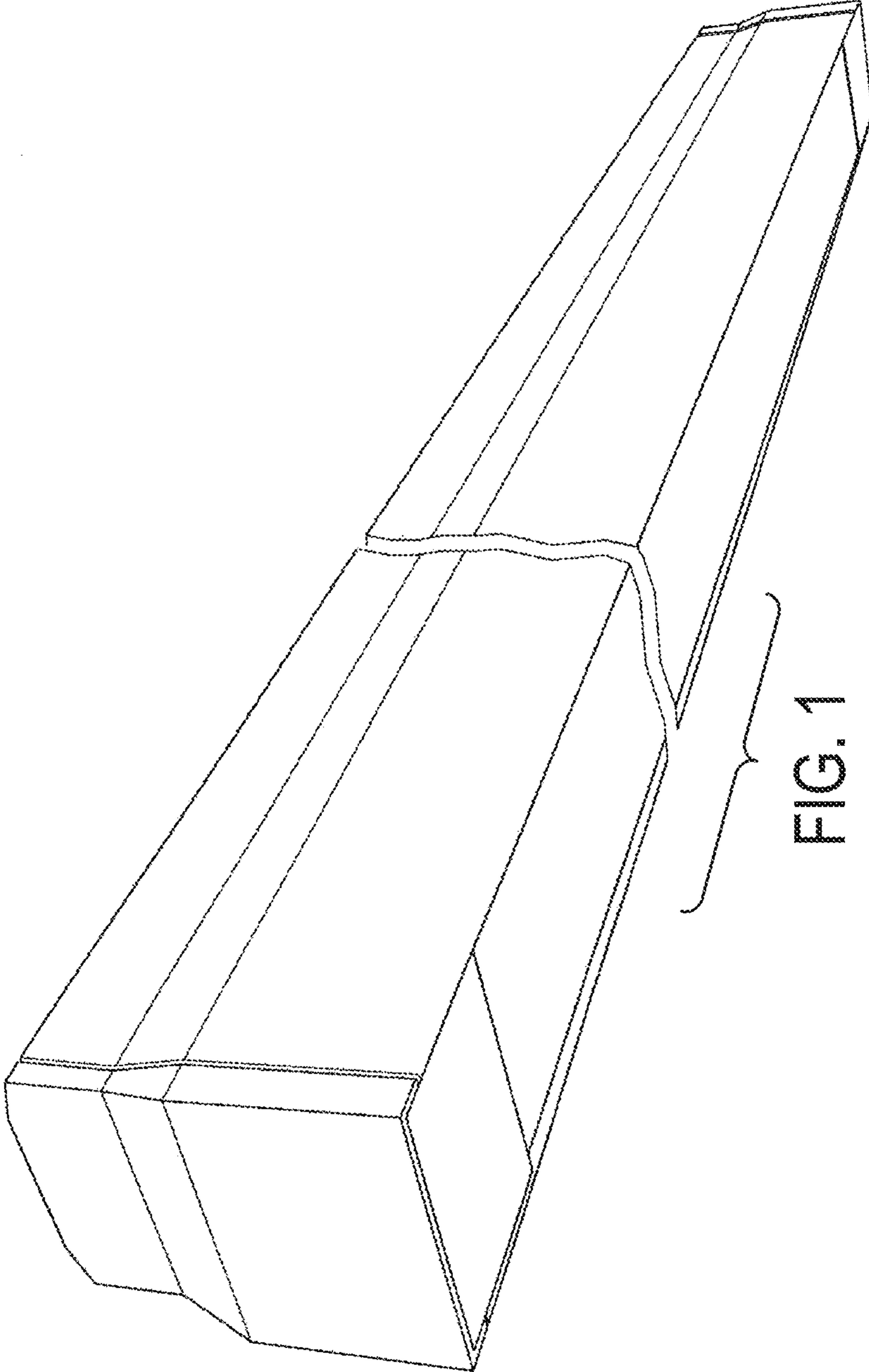
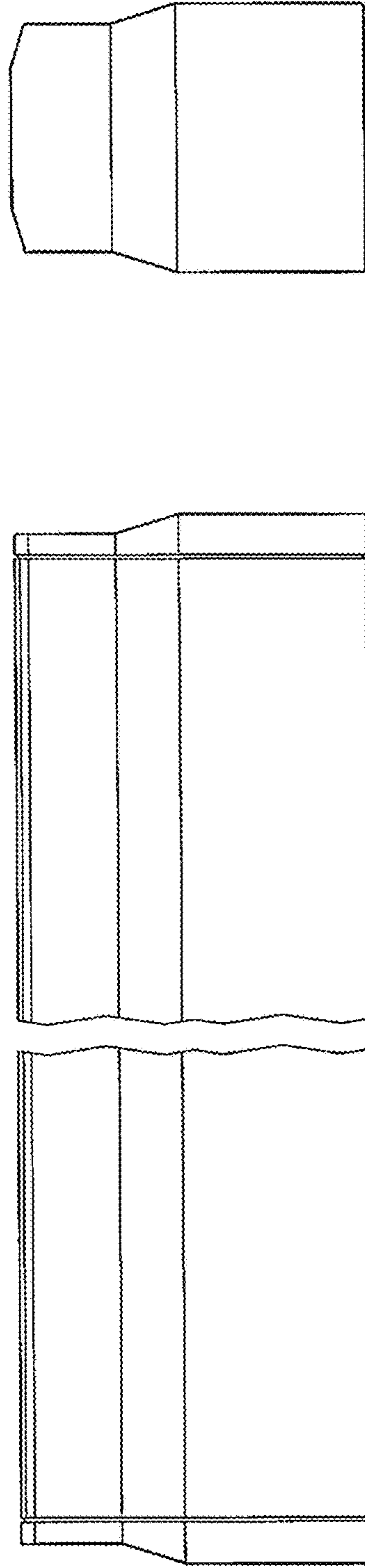
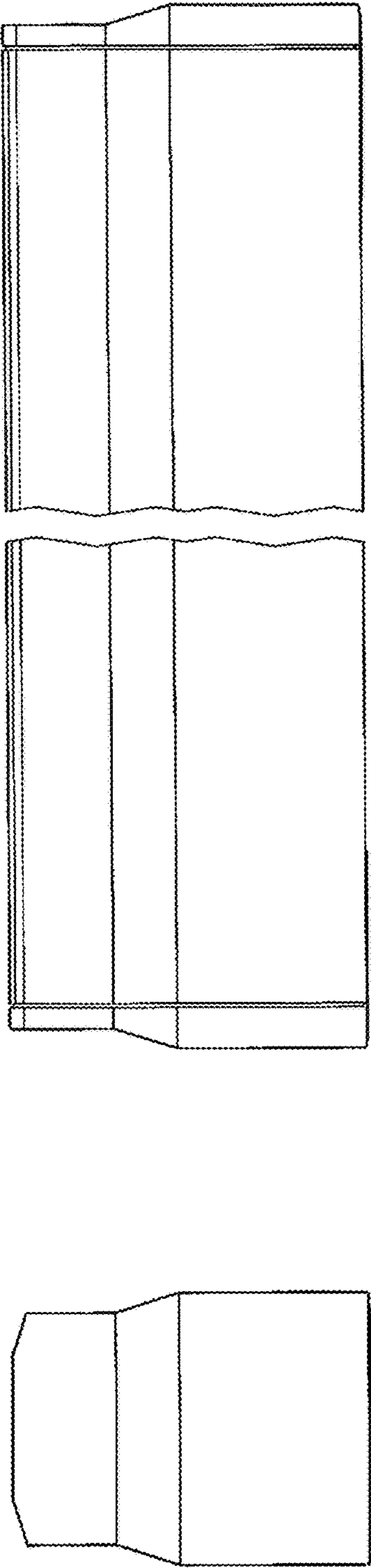


FIG. 1



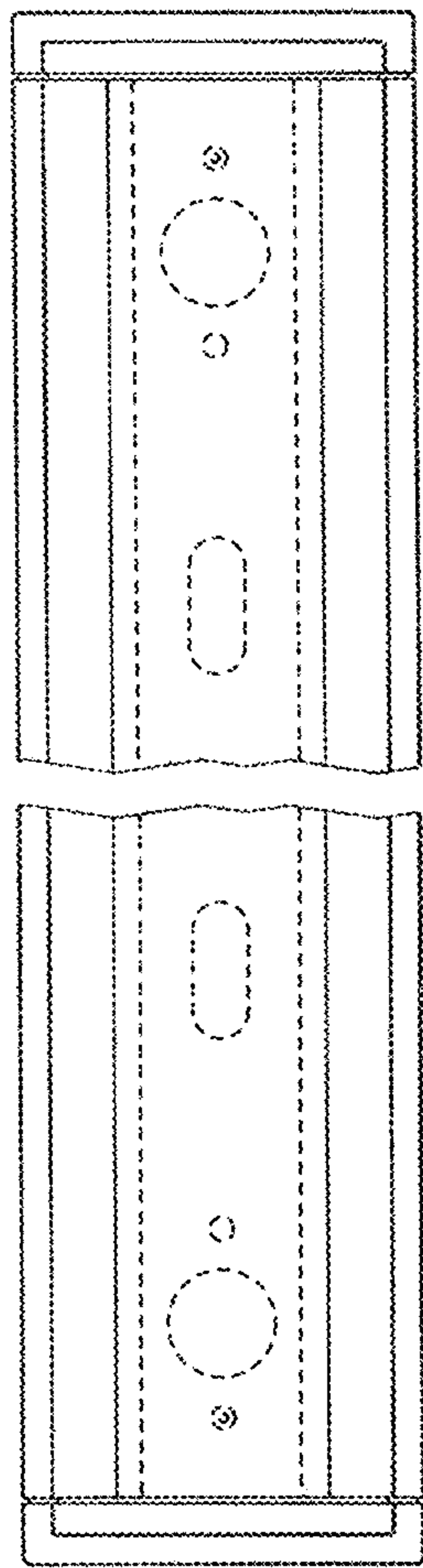


FIG. 6

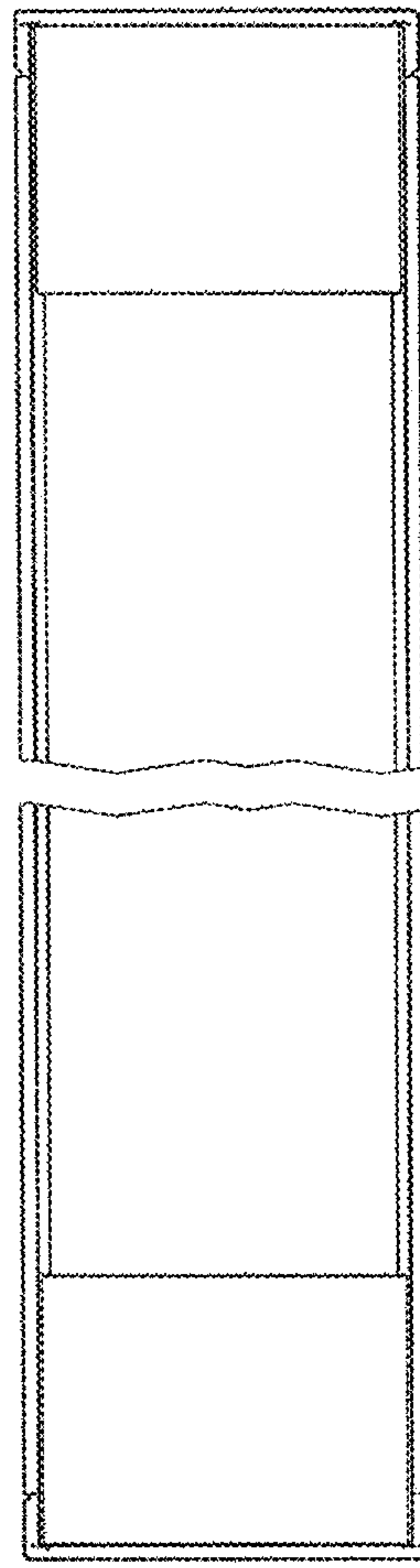


FIG. 7