

US00D791996S

(12) **United States Design Patent**
Holscher

(10) **Patent No.:** **US D791,996 S**

(45) **Date of Patent:** **** Jul. 11, 2017**

(54) **LIGHT FIXTURE**

(71) Applicant: **Hubbell Incorporated**, Shelton, CT
(US)

(72) Inventor: **Steven Holscher**, Boiling Springs, SC
(US)

(73) Assignee: **Hubbell Incorporated**, Shelton, CT
(US)

(**) Term: **15 Years**

(21) Appl. No.: **29/560,188**

(22) Filed: **Apr. 4, 2016**

(51) **LOC (10) Cl.** **26-05**

(52) **U.S. Cl.**
USPC **D26/74**

(58) **Field of Classification Search**

USPC D26/74, 72, 75, 76, 77, 78, 85, 88, 89,
D26/118, 138, 141; 362/364, 365, 373,
362/145, 146, 147, 148, 150, 153, 153.1,
362/294, 296.01, 296.07, 296.08
CPC F21V 29/2262; F21V 7/06; F21V 21/044;
F21V 21/047; F21V 29/2212; F21V
29/2225; F21V 29/2256; F21V 29/225;
F21V 29/2268; F21Y 2111/002; F21S
8/02; F21S 8/026

See application file for complete search history.

(56) **References Cited**

U.S. PATENT DOCUMENTS

D596,330 S * 7/2009 Pickard D26/74
D617,934 S * 6/2010 Rashidi D26/74

D624,688 S * 9/2010 Johnson D26/74
D632,821 S * 2/2011 Culbert D26/74
D633,636 S * 3/2011 Gielen D26/74
D641,909 S * 7/2011 Johnson D26/74
D642,317 S * 7/2011 Rashidi D26/74
D662,642 S * 6/2012 Huang D26/74
D679,849 S * 4/2013 Ham D26/74
D682,458 S * 5/2013 Calvin D26/74
D692,606 S * 10/2013 Schrimmer D26/72
D715,476 S * 10/2014 Tien D26/74
2016/0327251 A1 * 11/2016 Clark F21V 19/02

* cited by examiner

Primary Examiner — Angela J Lee

(74) *Attorney, Agent, or Firm* — Michael Best & Friedrich, LLP

(57) **CLAIM**

I claim the ornamental design for a light fixture, as shown and described.

DESCRIPTION

FIG. 1 is a top perspective view of a light fixture according to an embodiment of the application.

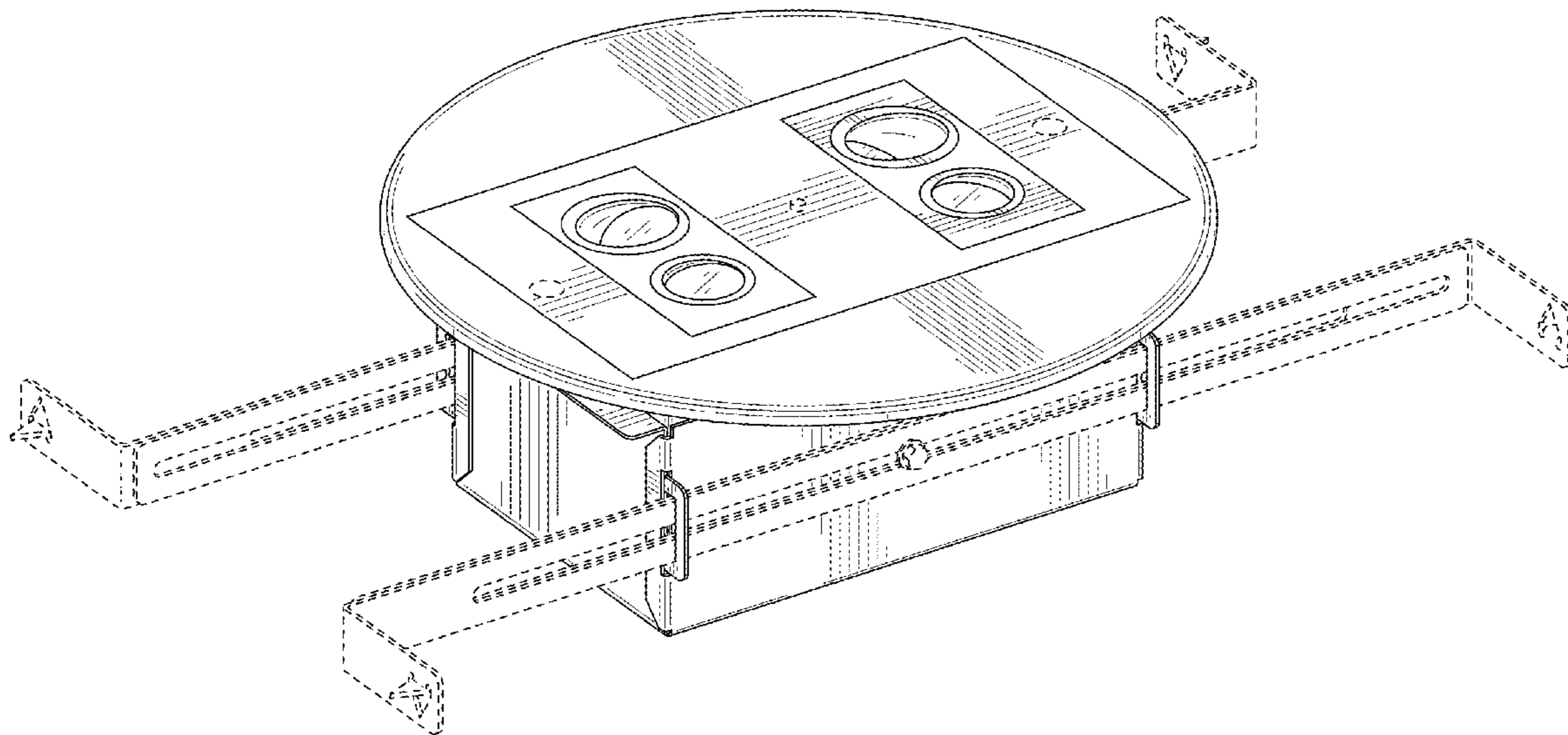
FIG. 2 is a bottom perspective view of the light fixture shown in FIG. 1.

FIG. 3 is a first side view of the light fixture shown in FIG. 1.

FIG. 4 is a second side view of the light fixture shown in FIG. 1.

FIG. 5 is a top view of the light fixture shown in FIG. 1; and, FIG. 6 is a bottom view of the light fixture shown in FIG. 1. The elements shown in broken lines are included for the purpose of illustrating environment and form no part of the claimed design.

1 Claim, 6 Drawing Sheets



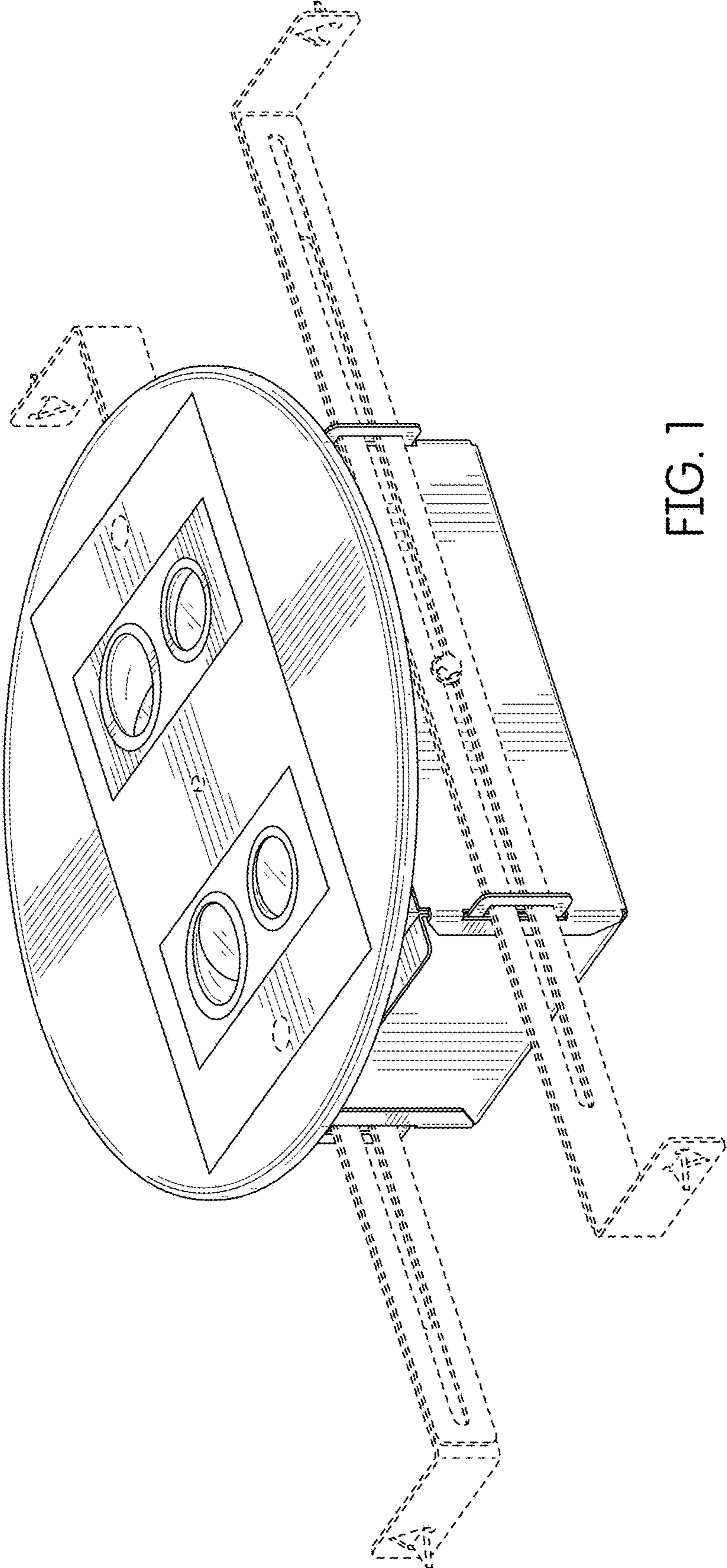


FIG. 1

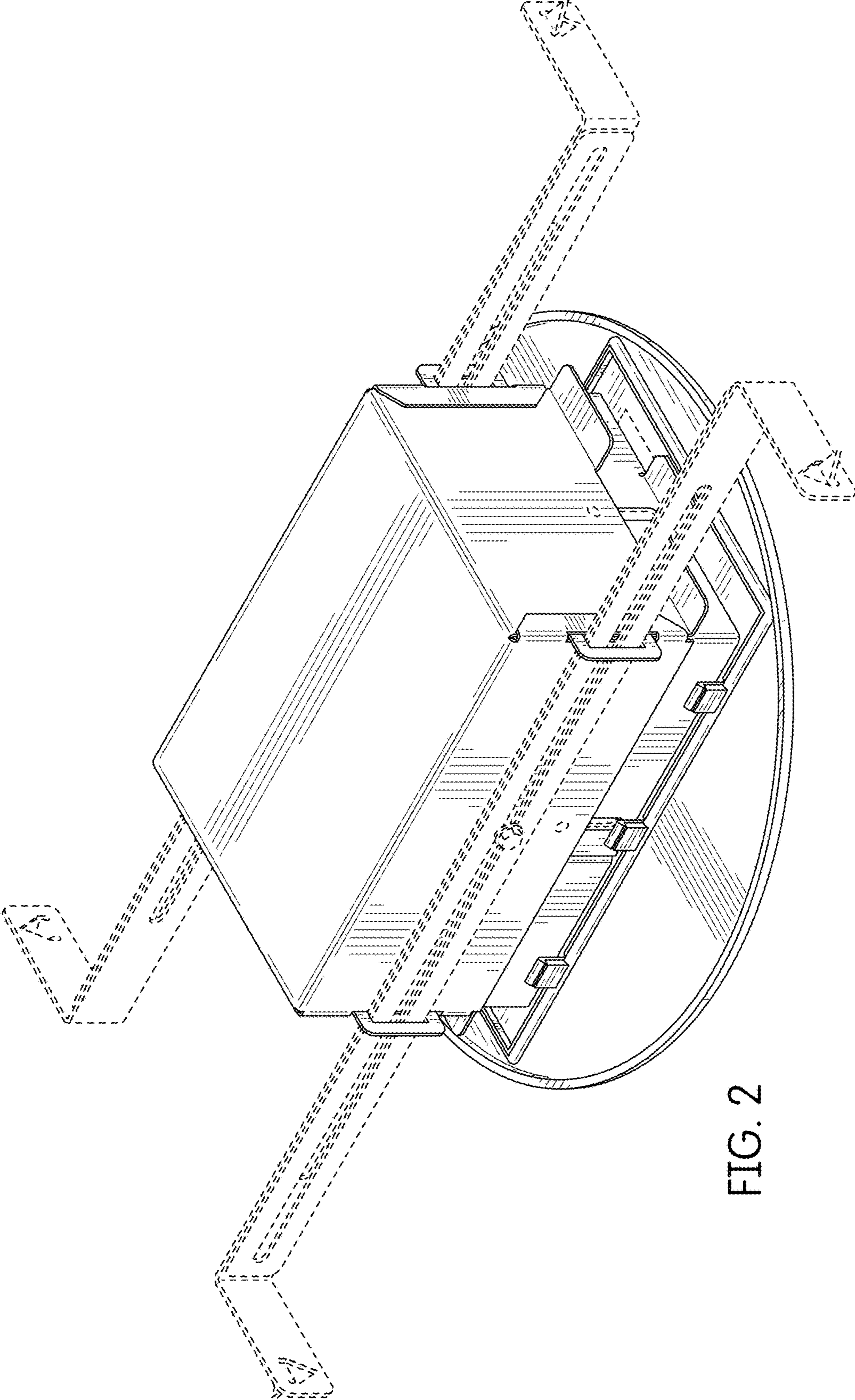


FIG. 2

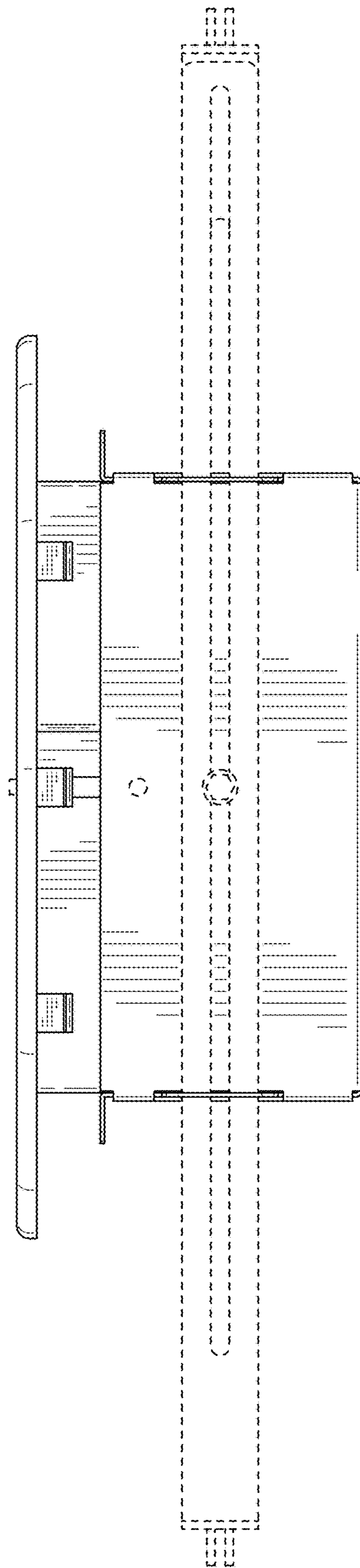


FIG. 3

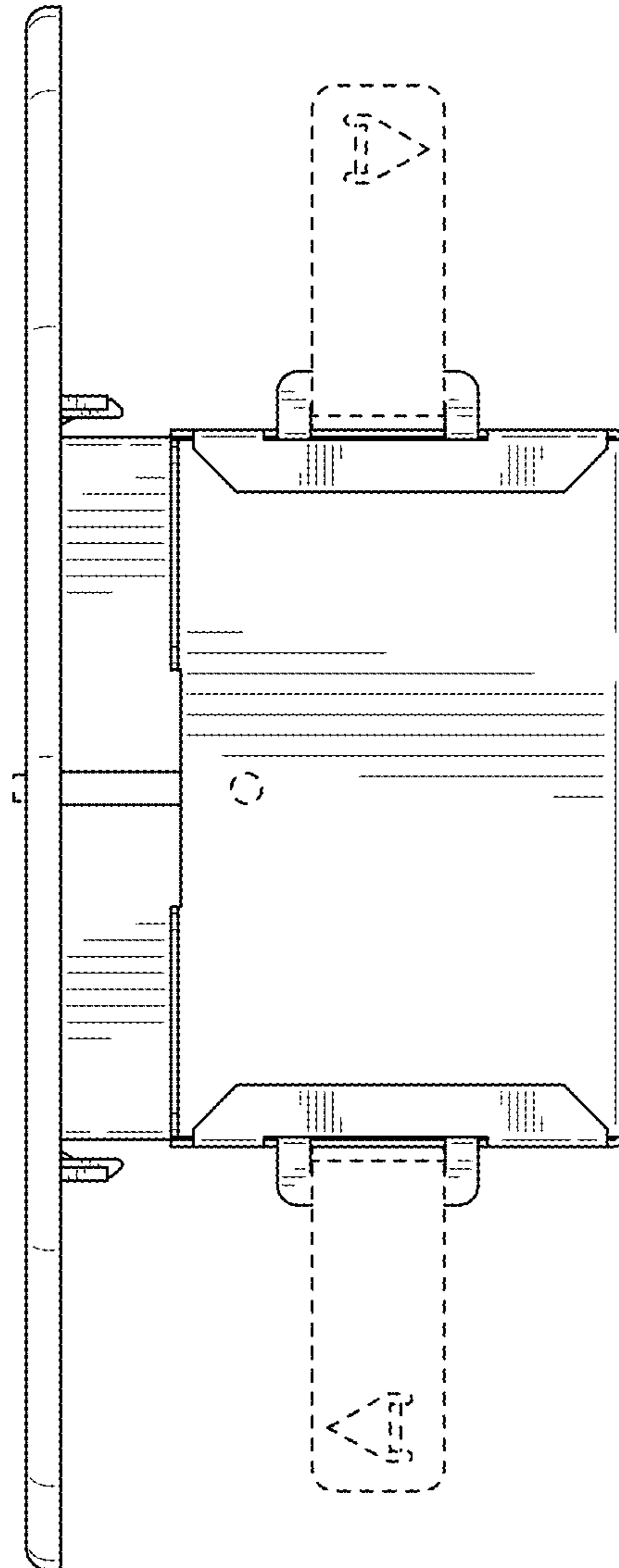


FIG. 4

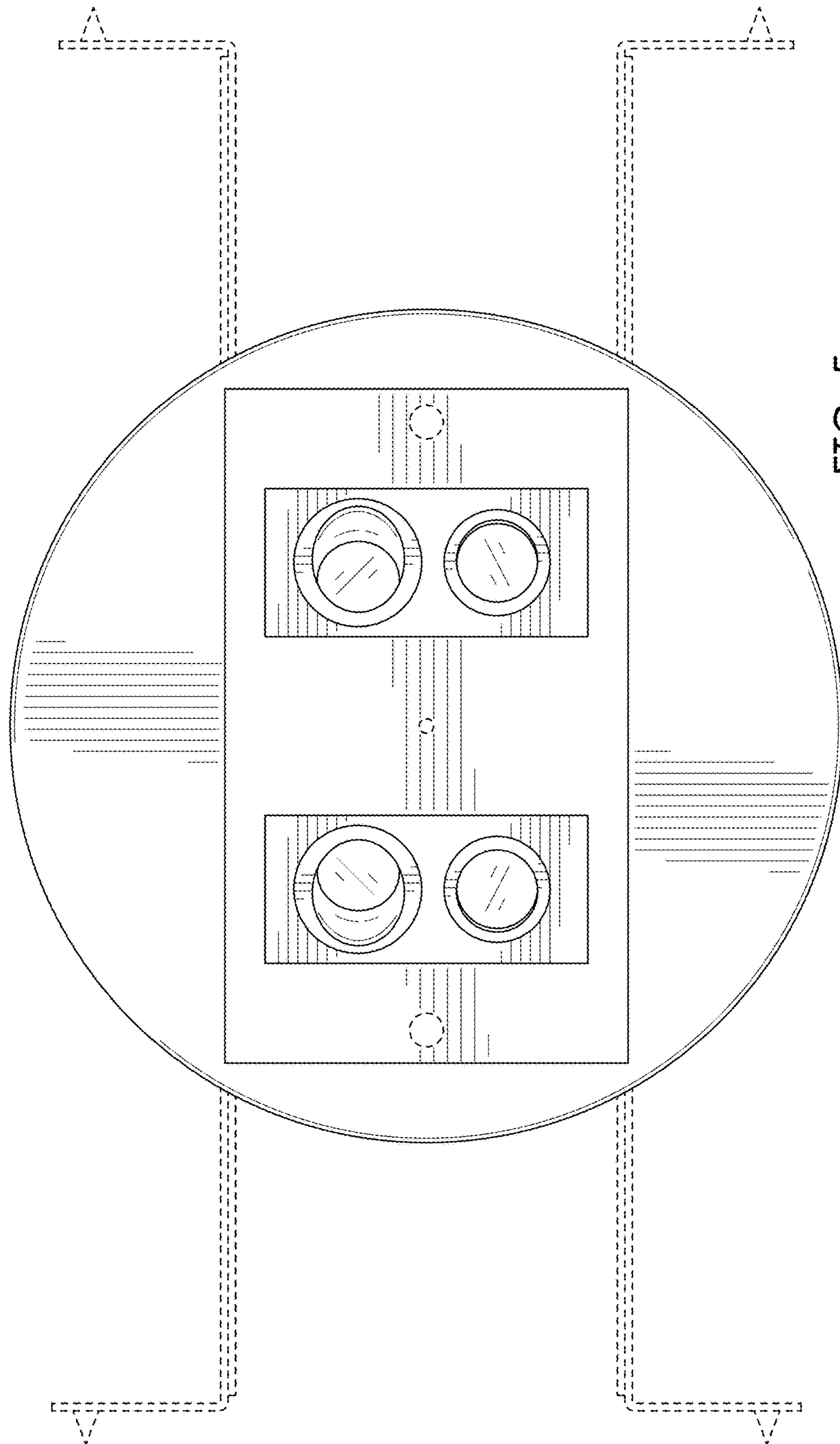


FIG. 5

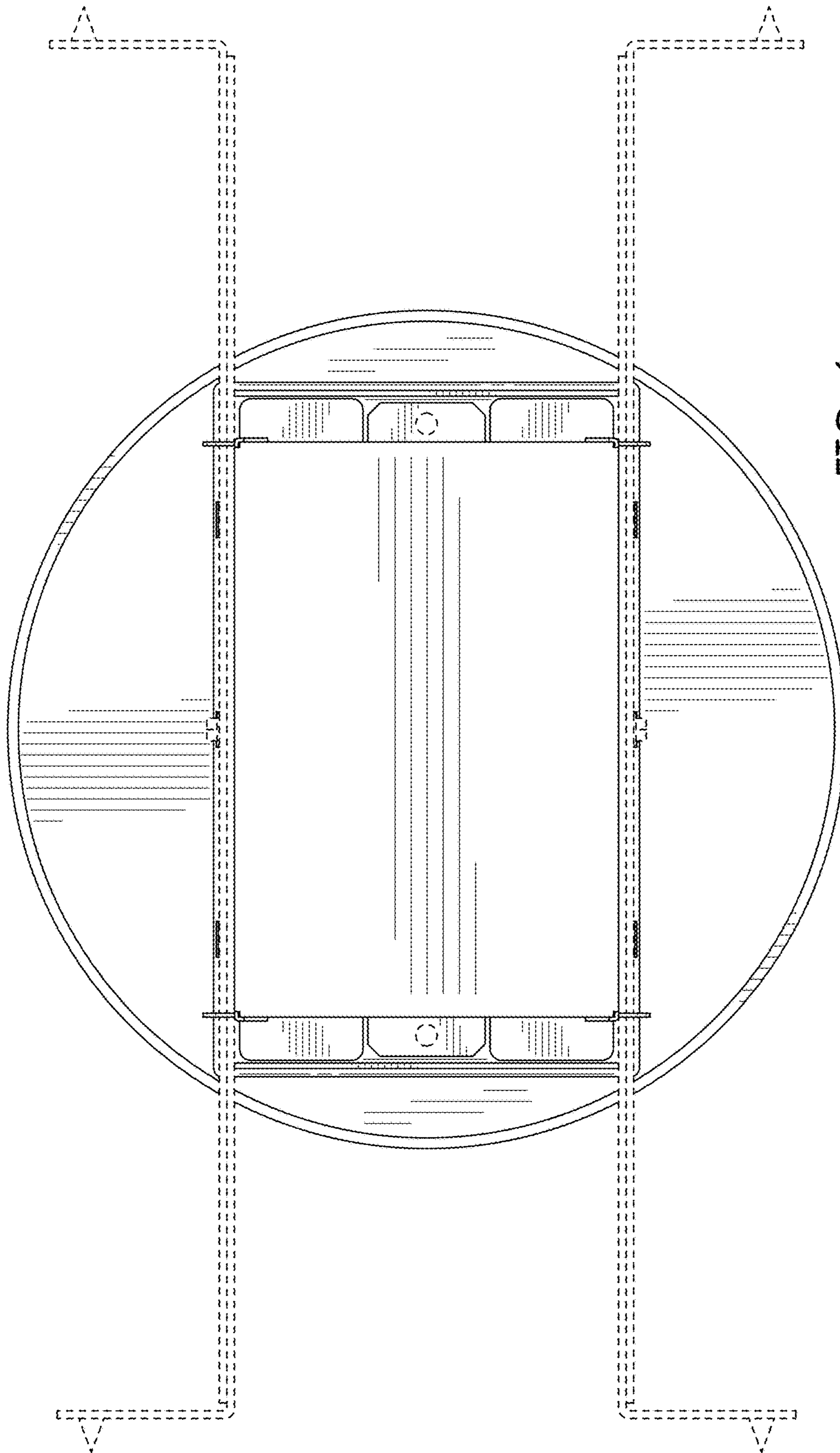


FIG. 6