

US00D791995S

(12) **United States Design Patent** (10) **Patent No.:** **US D791,995 S**
Wiedemer et al. (45) **Date of Patent:** **** Jul. 11, 2017**

(54) **LIGHTING FIXTURE**

29/83; F21V 29/2212; F21Y 2101/02;
F21S 8/026; F21S 8/04

(71) Applicant: **Hinkley Lighting, Inc.**, Avon Lake, OH
(US)

See application file for complete search history.

(72) Inventors: **Jess Wiedemer**, Rocky River, OH
(US); **Michael Kachala**, Avon Lake,
OH (US); **Eric Wiedemer**, Rocky
River, OH (US)

(56) **References Cited**

U.S. PATENT DOCUMENTS

D343,915 S * 2/1994 Baader D26/28
6,250,773 B1 * 6/2001 Lai F21S 8/035
362/641
D456,932 S 5/2002 Crosby
6,464,368 B1 * 10/2002 Chen F21S 8/035
362/363

(73) Assignee: **HINKLEY LIGHTING, INC.**, Avon
Lake, OH (US)

(Continued)

(**) Term: **14 Years**

OTHER PUBLICATIONS

Hinkley Lighting, Inc.'s "Luna" fixtures from the Hinkley Catalog,
Published at least as early as 2011 (5 pages).

(21) Appl. No.: **29/526,421**

Primary Examiner — Cynthia Ramirez
Assistant Examiner — Llorelys Martinez-Rivera
(74) *Attorney, Agent, or Firm* — Pearne & Gordon LLP

(22) Filed: **May 8, 2015**

Related U.S. Application Data

(62) Division of application No. 29/495,496, filed on Jul.
1, 2014, now Pat. No. Des. 736,987.

(51) **LOC (10) Cl.** **26-05**

(52) **U.S. Cl.**
USPC **D26/74**

(58) **Field of Classification Search**
USPC D26/9-16, 24, 51, 61, 72, 76, 80, 81, 85,
D26/86, 88, 90, 113, 118, 119, 120, 122,
D26/128, 129, 138, 143, 144; 362/3, 4,
362/8, 145, 147, 150, 249.01, 249.5,
362/296.01, 296.05, 308, 317, 326, 327,
362/330, 331, 334, 335, 341, 347, 362,
362/364-366, 368, 370-373, 640-644
CPC ... B60Q 1/04; B60Q 1/26; F21L 19/00; F21V
7/00; F21V 7/22; F21V 21/02; F21V
21/04; F21V 21/83; F21V 29/004; F21V

(57) **CLAIM**

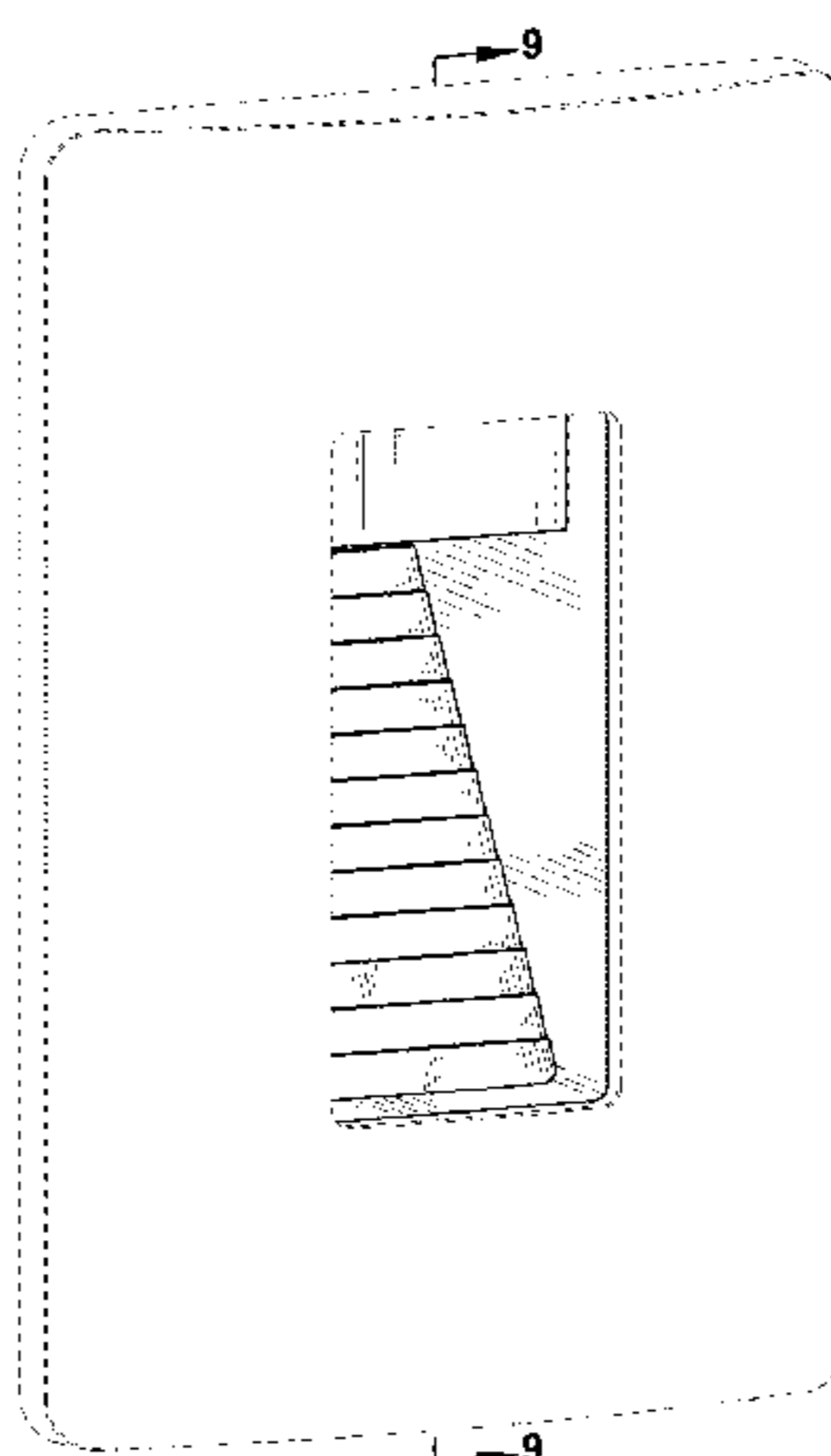
We claim the ornamental design for a lighting fixture, as
shown and described.

DESCRIPTION

FIG. 1 is a top perspective view of a lighting fixture showing
our new design;
FIG. 2 is a bottom perspective view thereof;
FIG. 3 is a front view thereof;
FIG. 4 is a rear view thereof;
FIG. 5 is a top view thereof;
FIG. 6 is a bottom view thereof;
FIG. 7 is a left-side view thereof;
FIG. 8 is a right-side view thereof; and,
FIG. 9 is a side cross-sectional view taken along line 9-9 in
FIG. 1.

Features illustrated in broken lines form no part of the claim
and are illustrated to indicate context or environment only.
Numbered lines and arrowheads shown in the drawings also

(Continued)



US D791,995 S

Page 2

form no part of the claimed design, and are present only to indicate the imaginary lines along which certain cross-sectional views are taken as described herein.

1 Claim, 4 Drawing Sheets

(56)

References Cited

U.S. PATENT DOCUMENTS

6,608,253 B1 * 8/2003 Rintz H01H 9/18
174/66
6,888,323 B1 * 5/2005 Null H05B 37/0227
315/158
D570,518 S * 6/2008 Haimov D26/119
D581,084 S * 11/2008 Kawaguchi D26/74
D591,440 S * 4/2009 Maxik D26/72
D602,624 S 10/2009 Kawaguchi et al.
D611,863 S 3/2010 Kato

D612,975 S 3/2010 Guercio et al.
D618,850 S 6/2010 Snagel
8,025,422 B1 * 9/2011 Huang F21V 7/0016
362/296.01
D646,829 S 10/2011 Pan
D647,240 S 10/2011 Beghelli
D652,559 S 1/2012 Beghelli
D718,487 S 11/2014 Hulse
D736,987 S * 8/2015 Wiedemer D26/118
D757,984 S * 5/2016 Breedlove, Sr. D26/67
D770,661 S * 11/2016 Huang D26/74
9,482,395 B2 * 11/2016 Ellingson F21V 29/004
2008/0219008 A1 * 9/2008 Schaefer F21V 7/005
362/297
2010/0238658 A1 * 9/2010 Xiang F21V 5/04
362/373
2012/0240976 A1 * 9/2012 Kuo F21V 7/0091
362/328
2015/0285462 A1 * 10/2015 Shimoda B60Q 1/24
362/218

* cited by examiner

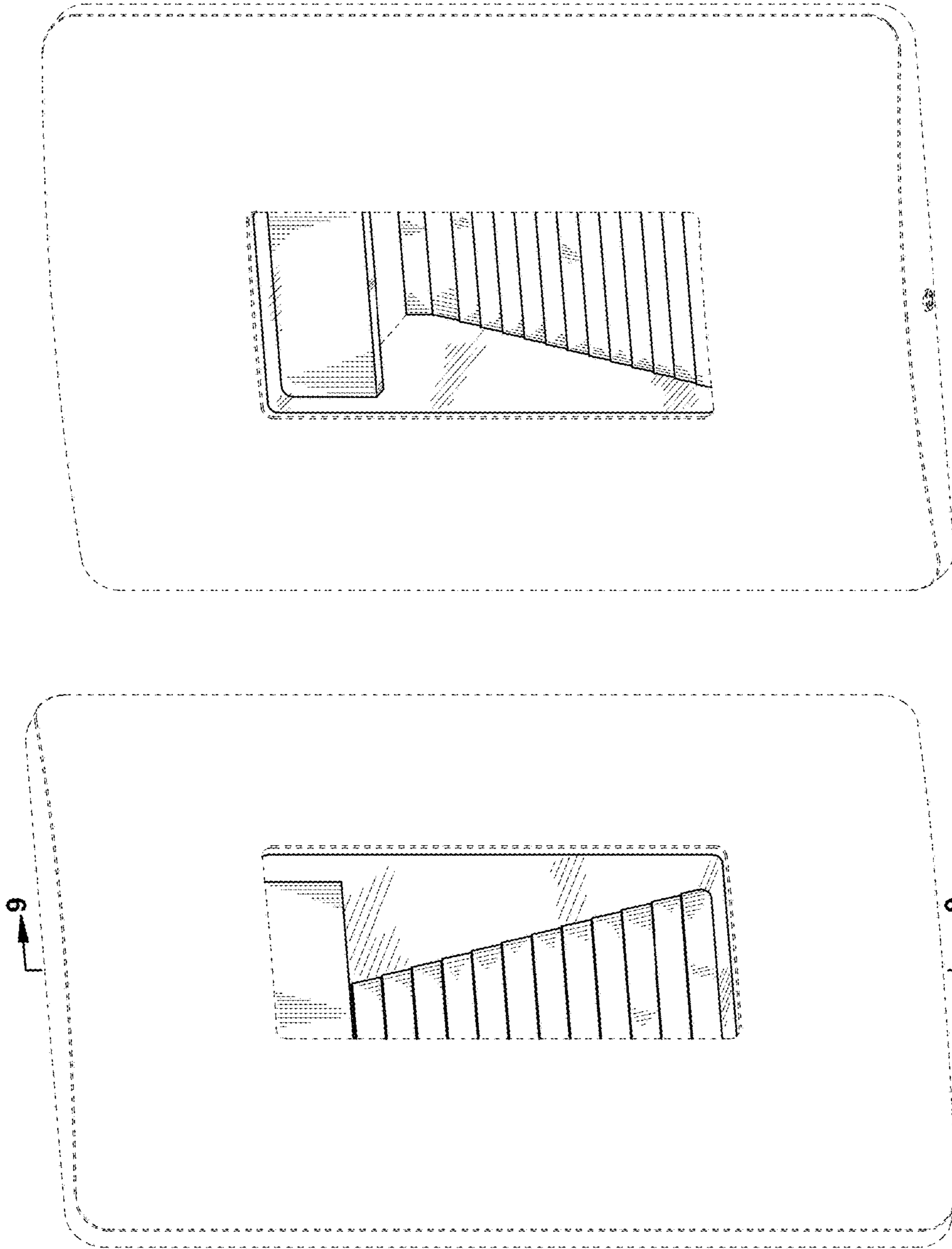


Fig. 2

Fig. 1

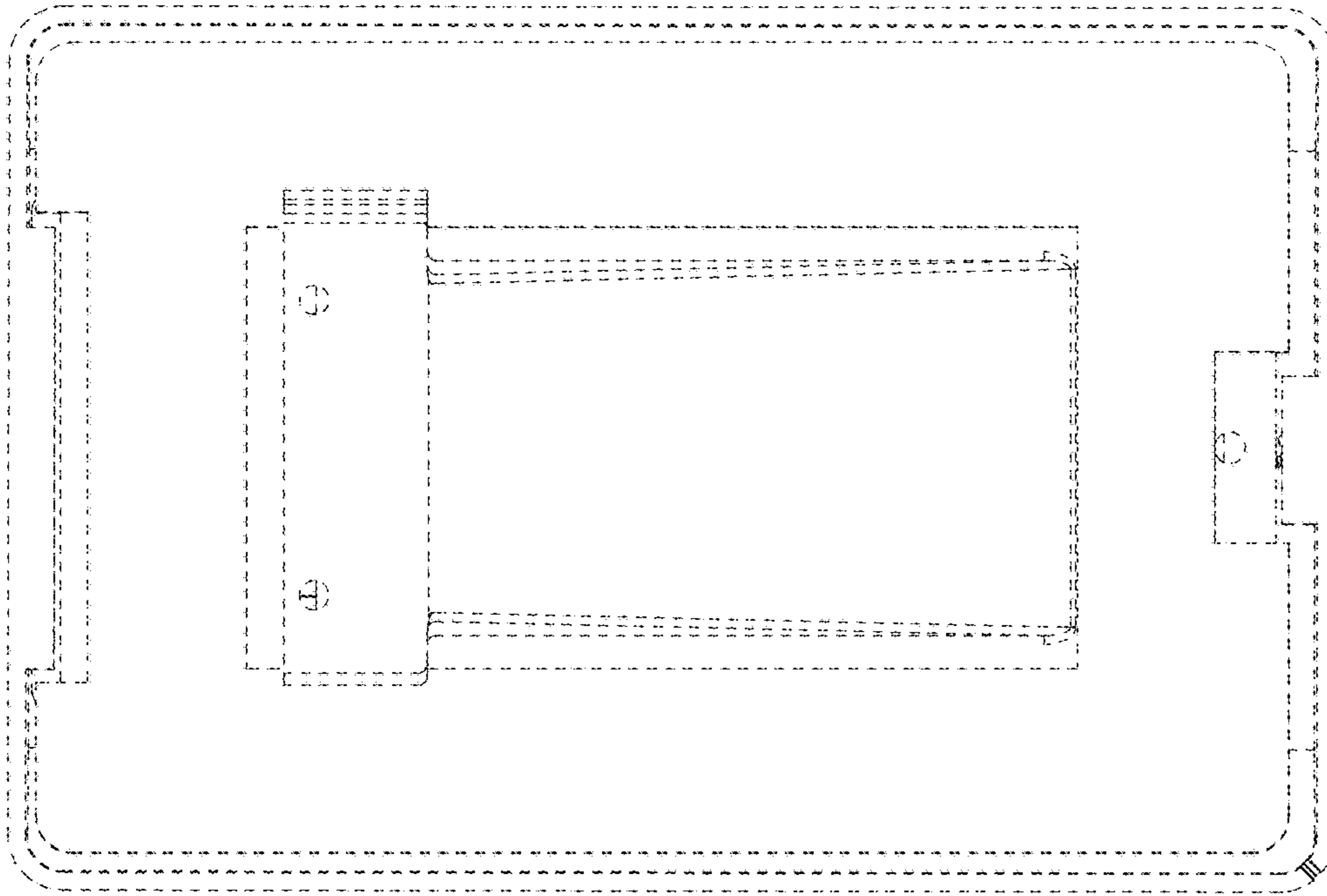


Fig. 4

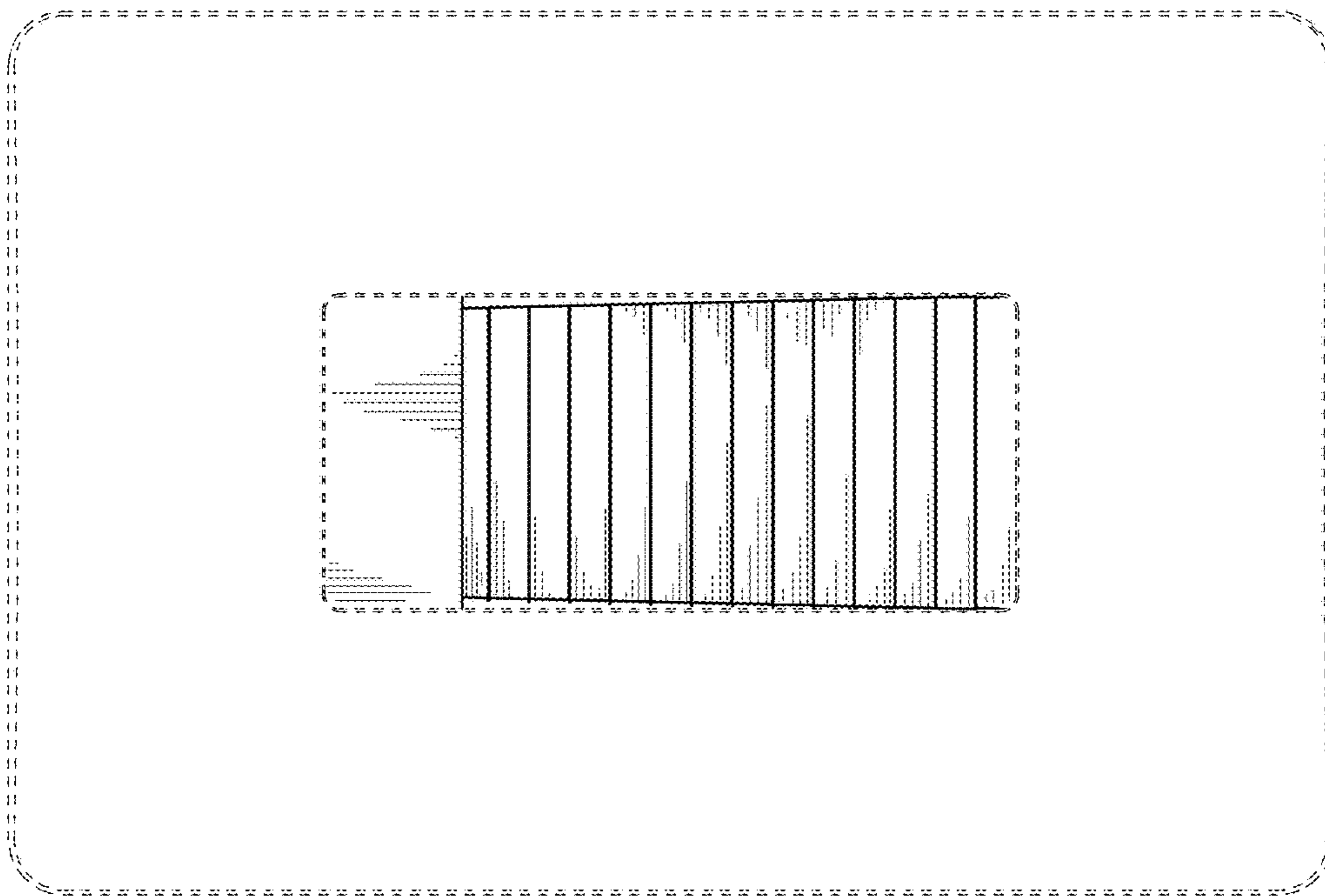


Fig. 3

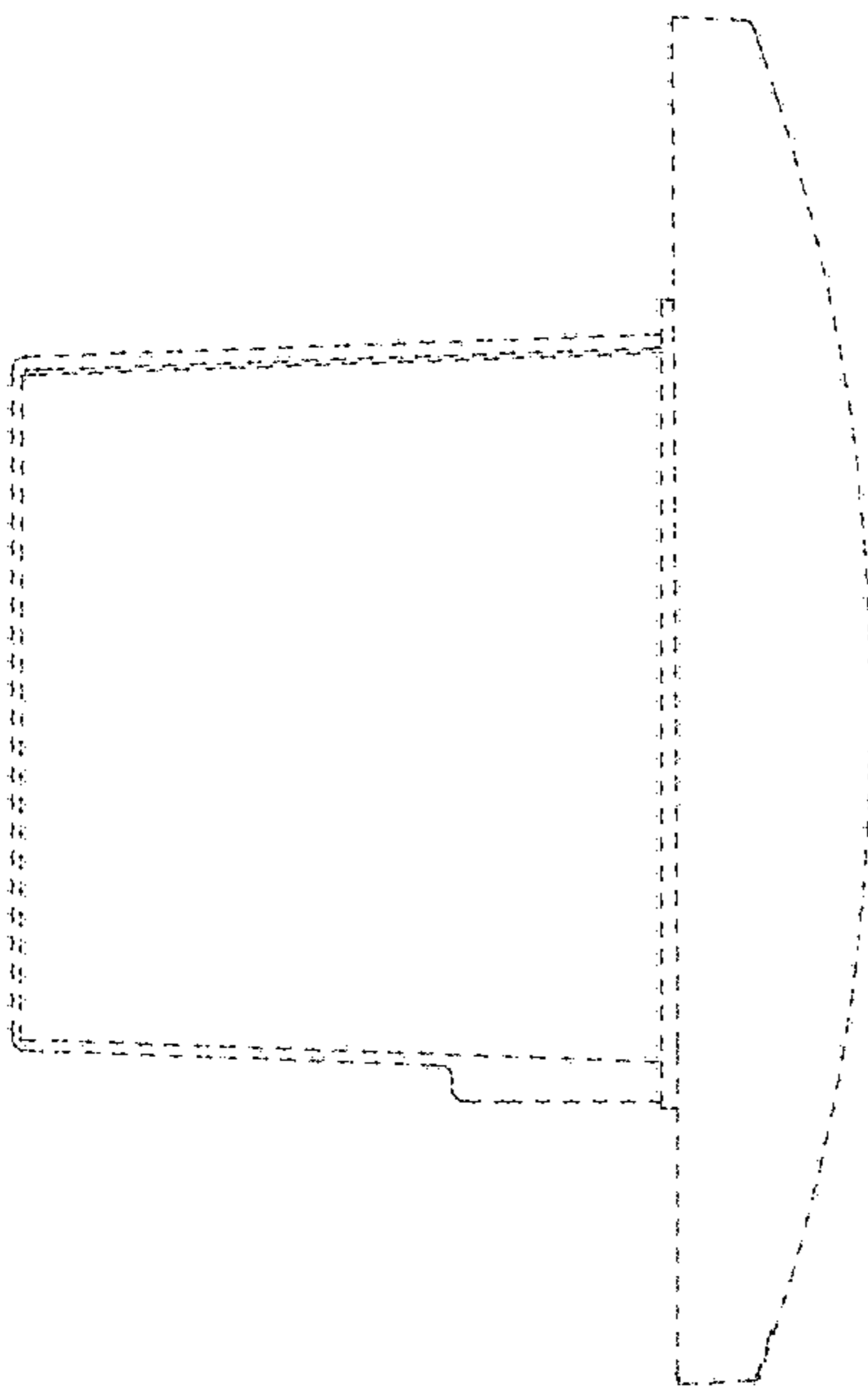


Fig. 5

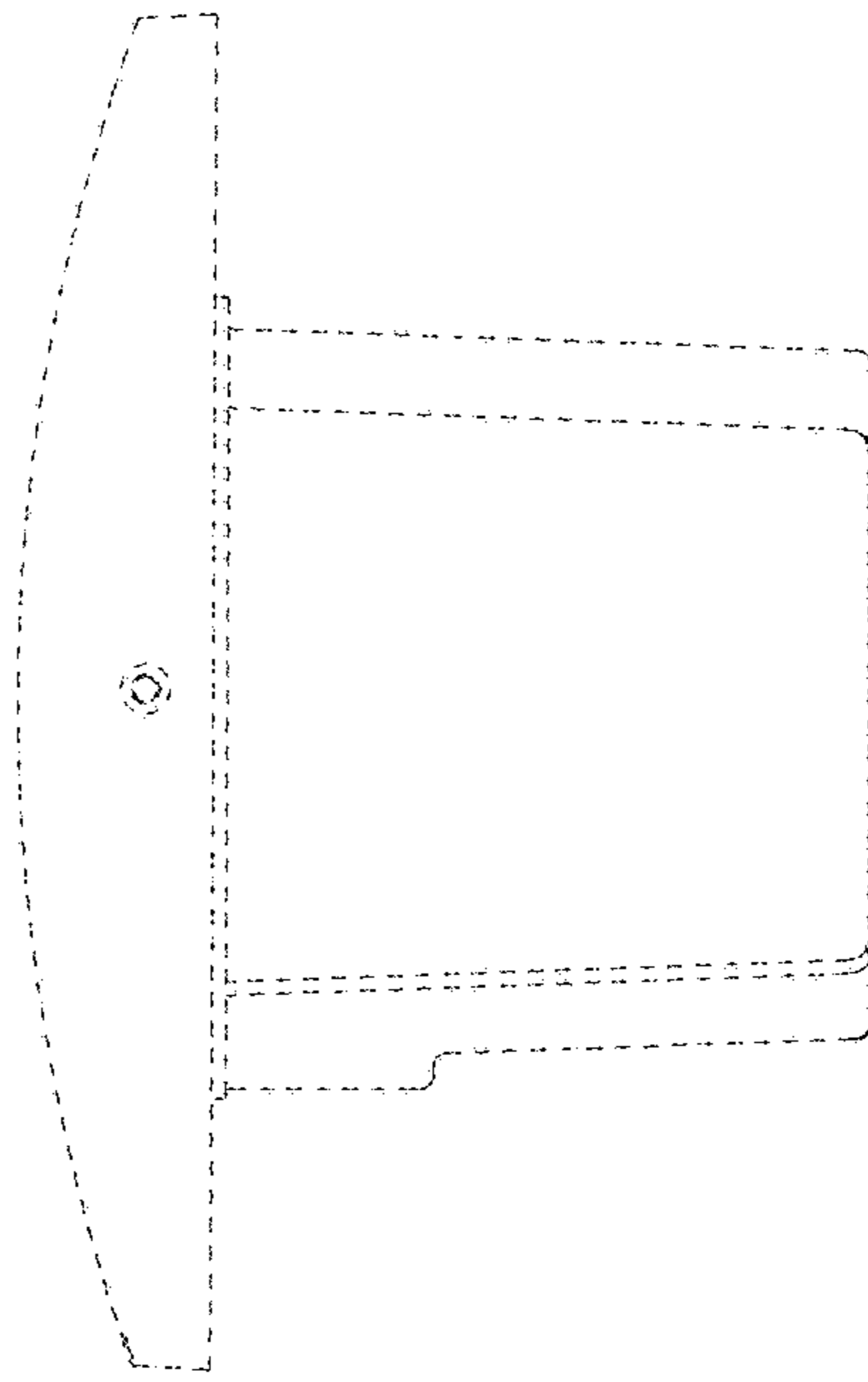


Fig. 6

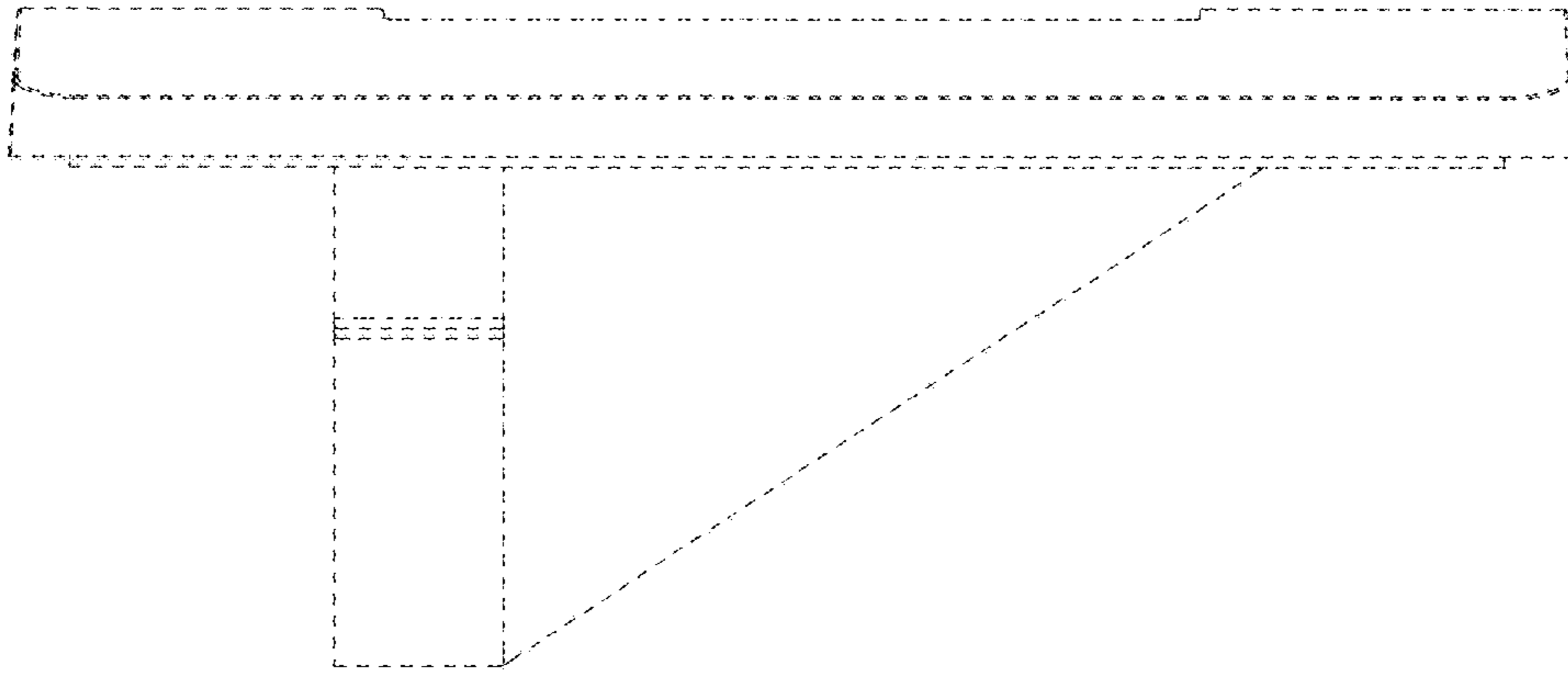


Fig. 7

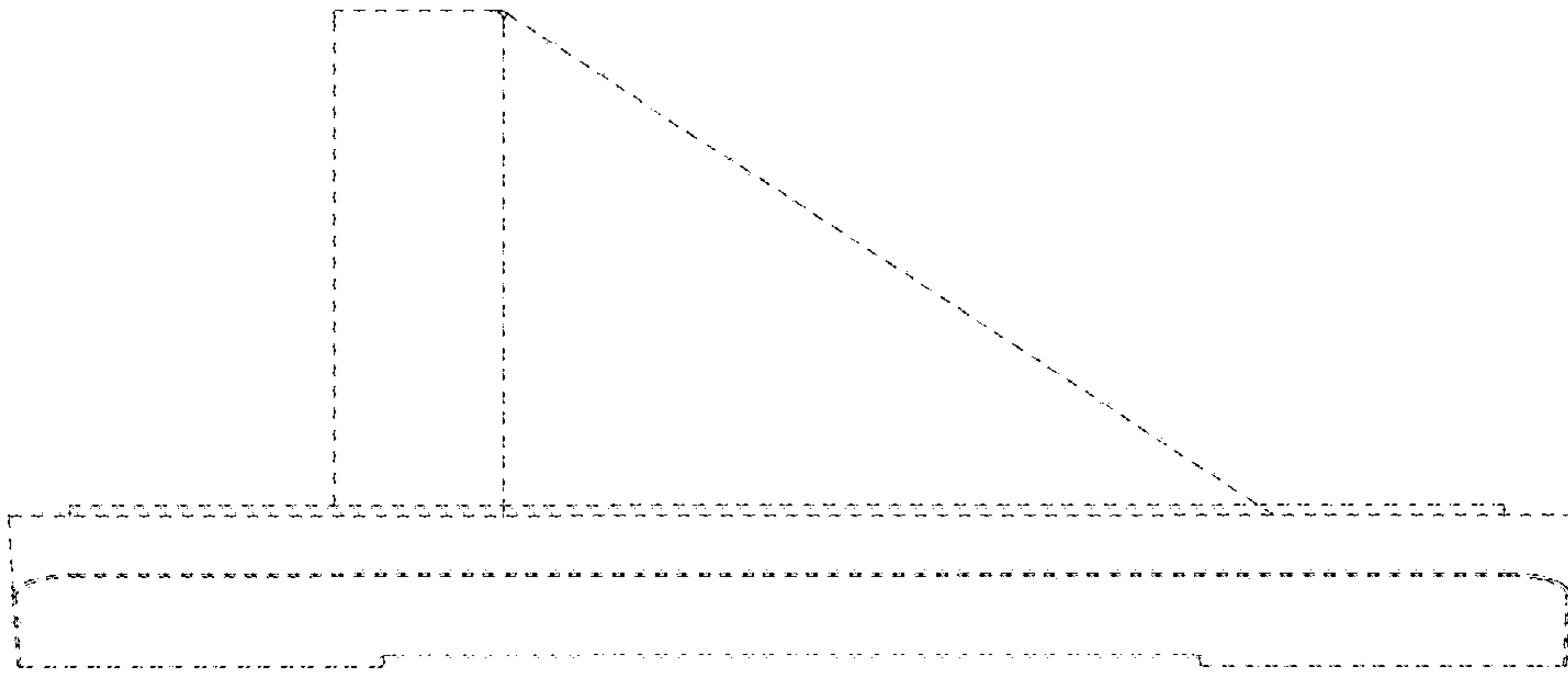


Fig. 8

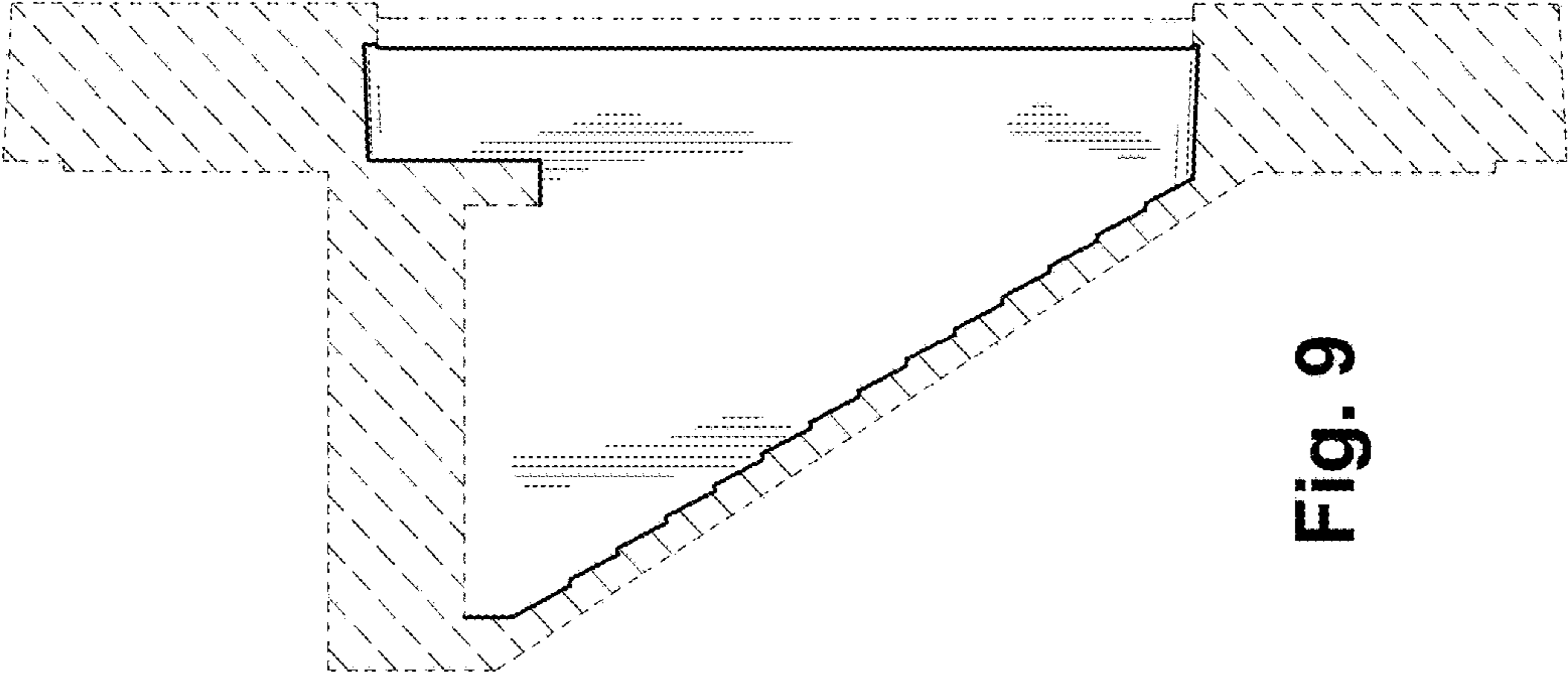


Fig. 9