



US00D791994S

(12) **United States Design Patent**
Liu

(10) **Patent No.:** **US D791,994 S**

(45) **Date of Patent:** **** *Jul. 11, 2017**

- (54) **SOLAR PIR MOTION SENSOR LAMP**
- (71) Applicant: **Ennoplus Technology Co., Ltd.**
- (72) Inventor: **Hang-Yu Liu, Shuangyashan (CN)**
- (73) Assignee: **Ennoplus Technology Co., Ltd.,
Redding, CA (US)**
- (*) Notice: This patent is subject to a terminal disclaimer.
- (**) Term: **15 Years**
- (21) Appl. No.: **29/528,291**
- (22) Filed: **May 27, 2015**
- (51) **LOC (10) Cl.** **26-05**
- (52) **U.S. Cl.**
USPC **D26/72; D10/106.8**
- (58) **Field of Classification Search**
USPC **D26/72, 76, 77, 78, 80, 85, 89, 142, 121,
D26/122; D10/106.6, 106.8**
CPC **F21S 8/03; F21S 8/031; F21S 8/033; F21S
8/036; F21S 9/03; F21S 9/037; F21V
21/025; F21V 17/08; F21V 17/10**
See application file for complete search history.

(56) **References Cited**

U.S. PATENT DOCUMENTS

- D236,647 S * 9/1975 Stewart D20/42
- 4,486,661 A * 12/1984 Guscott G01J 5/04
250/342
- D279,871 S * 7/1985 Guscott D10/106.6

- 4,835,664 A * 5/1989 Wen F21S 9/037
136/291
- 4,939,359 A * 7/1990 Freeman G01V 8/10
250/221
- D339,079 S * 9/1993 Behlke D10/106.6
- D364,827 S * 12/1995 Carmi D10/106.6
- D370,863 S * 6/1996 Carmi D10/106.6
- D374,189 S * 10/1996 Hubben D10/106.6
- D381,283 S * 7/1997 Soreo D10/106.6
- 2009/0034242 A1 * 2/2009 Engel F21S 8/033
362/147
- 2014/0177228 A1 * 6/2014 Ellingson F21V 29/004
362/294
- 2015/0167936 A1 * 6/2015 Yong F21V 29/83
362/190

* cited by examiner

Primary Examiner — Clare E Heflin

(74) *Attorney, Agent, or Firm* — Wang Law Firm, Inc.

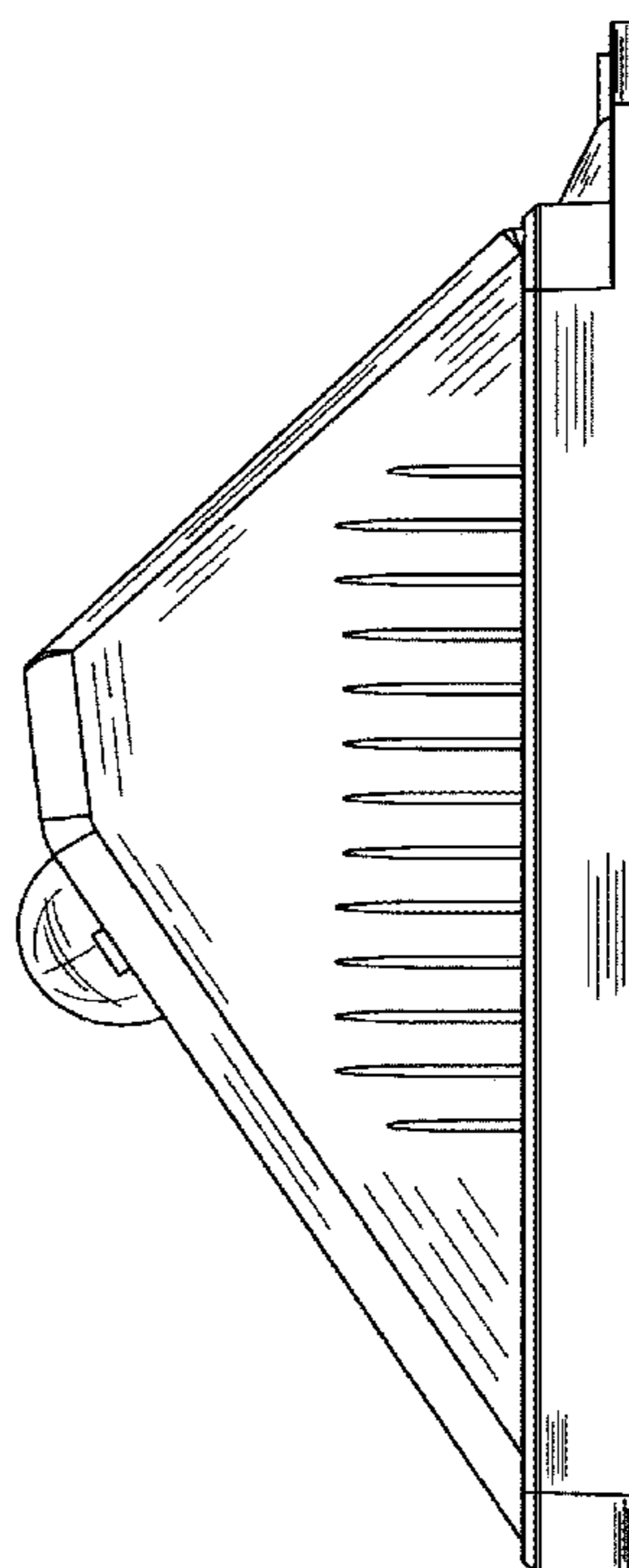
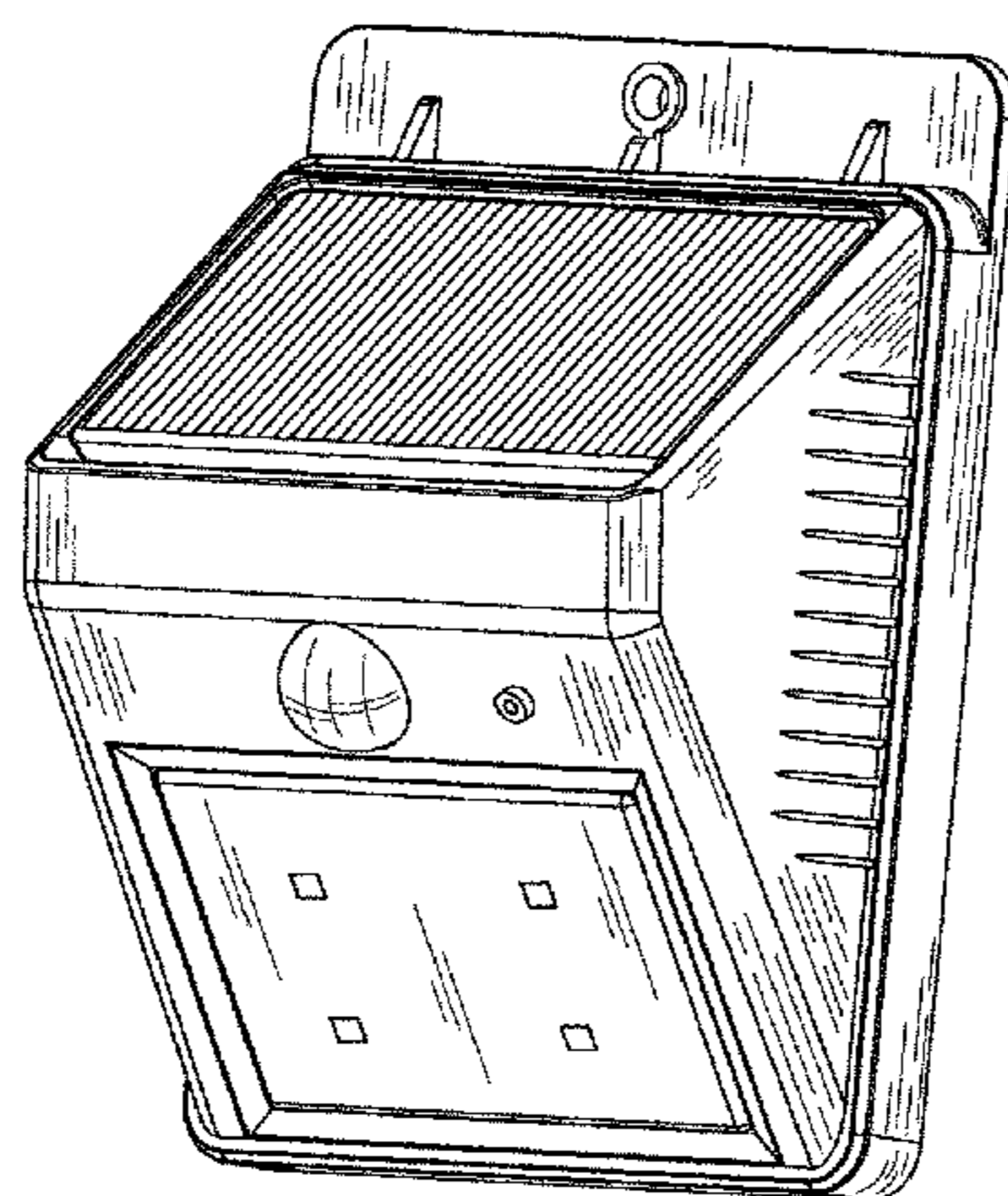
(57) **CLAIM**

The ornamental design for a solar PIR motion sensor lamp, as shown and described.

DESCRIPTION

FIG. 1 is a front perspective view of solar PIR motion sensor lamp, showing our new design;
 FIG. 2 is a rear perspective view thereof;
 FIG. 3 is a front elevational view thereof;
 FIG. 4 is a rear elevational view thereof;
 FIG. 5 is a left side elevational view thereof;
 FIG. 6 is a right side elevational view thereof;
 FIG. 7 is a top plan view thereof; and,
 FIG. 8 is a bottom plan view thereof.

1 Claim, 8 Drawing Sheets



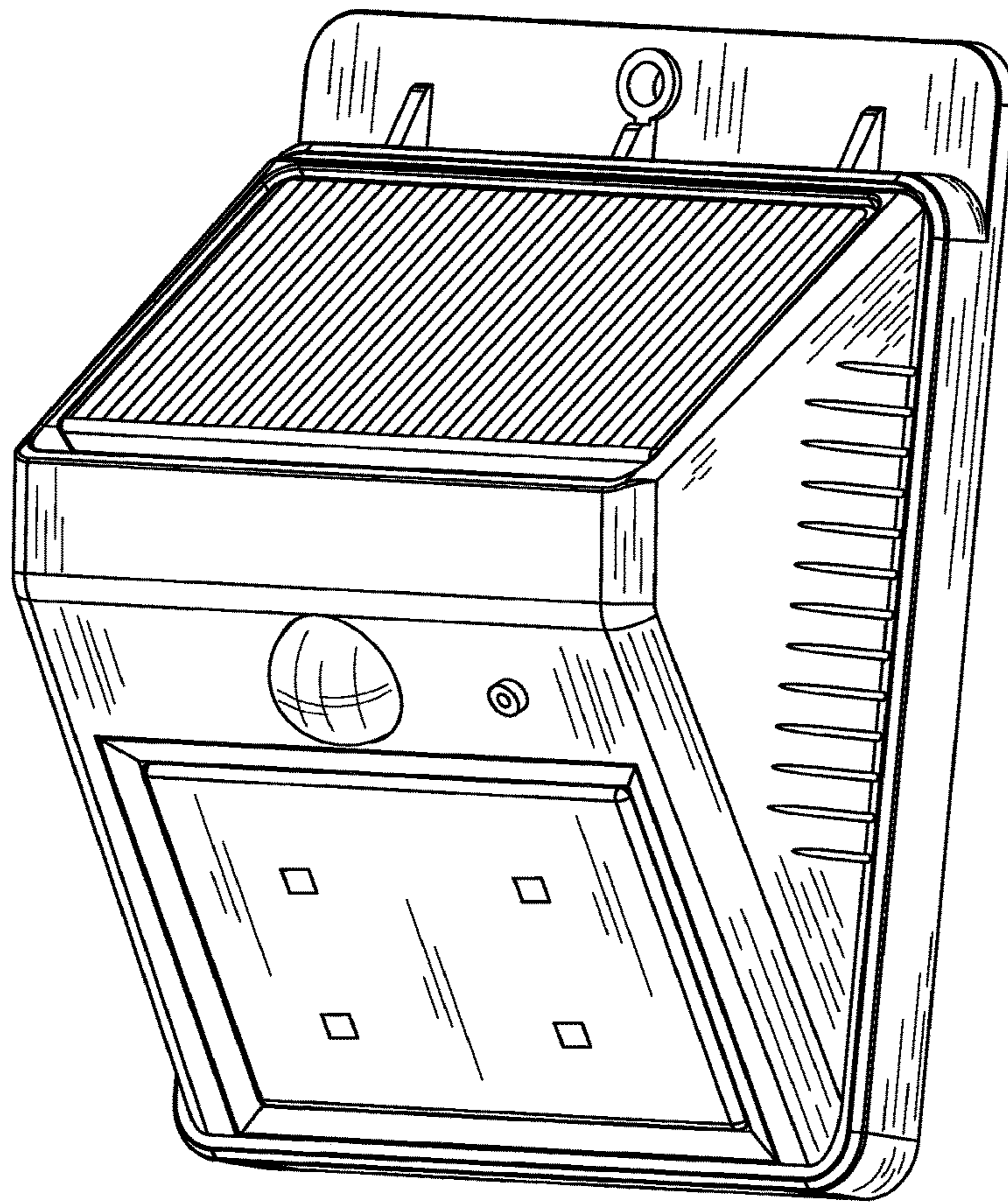


FIG. 1

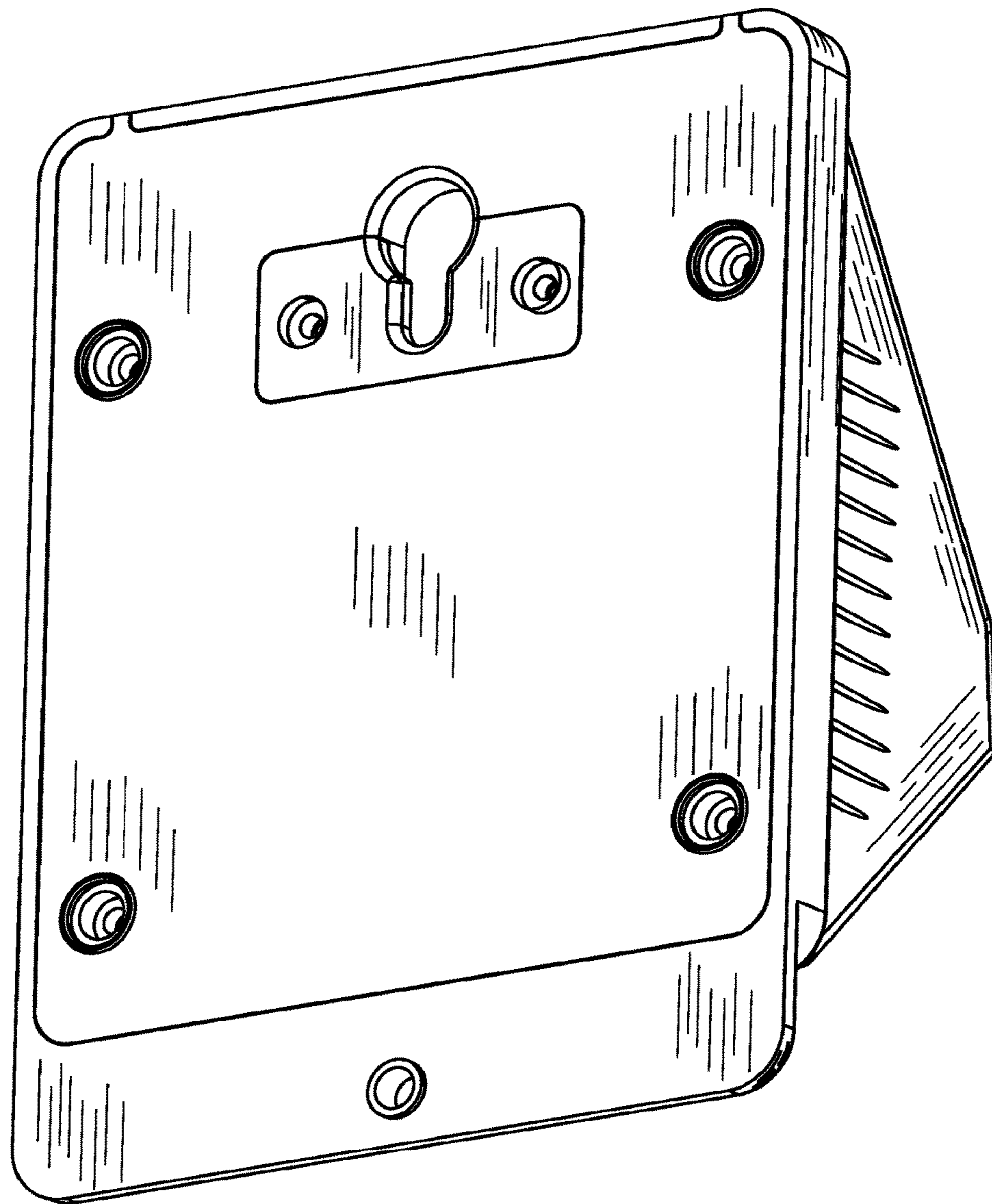


FIG. 2

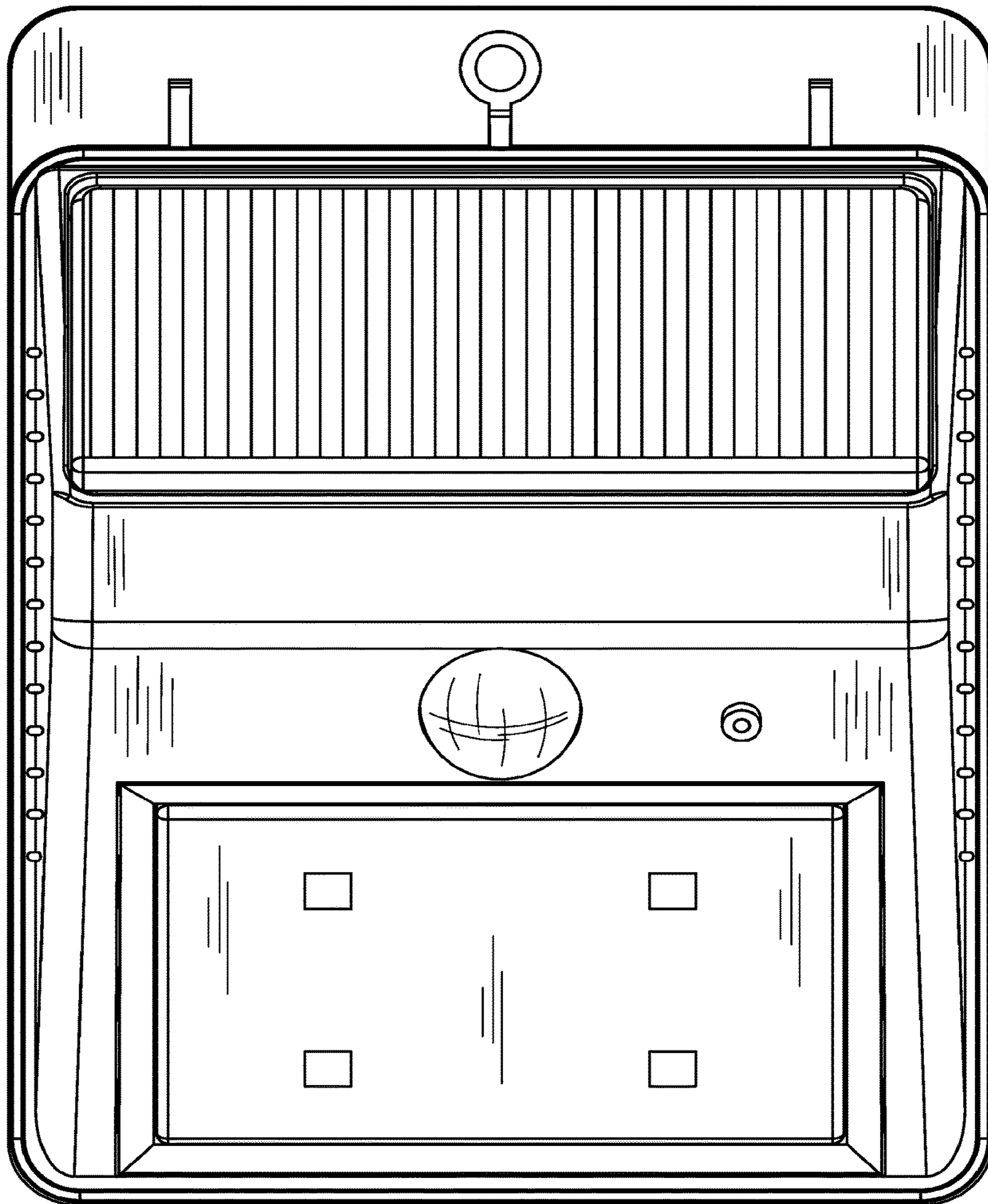


FIG. 3

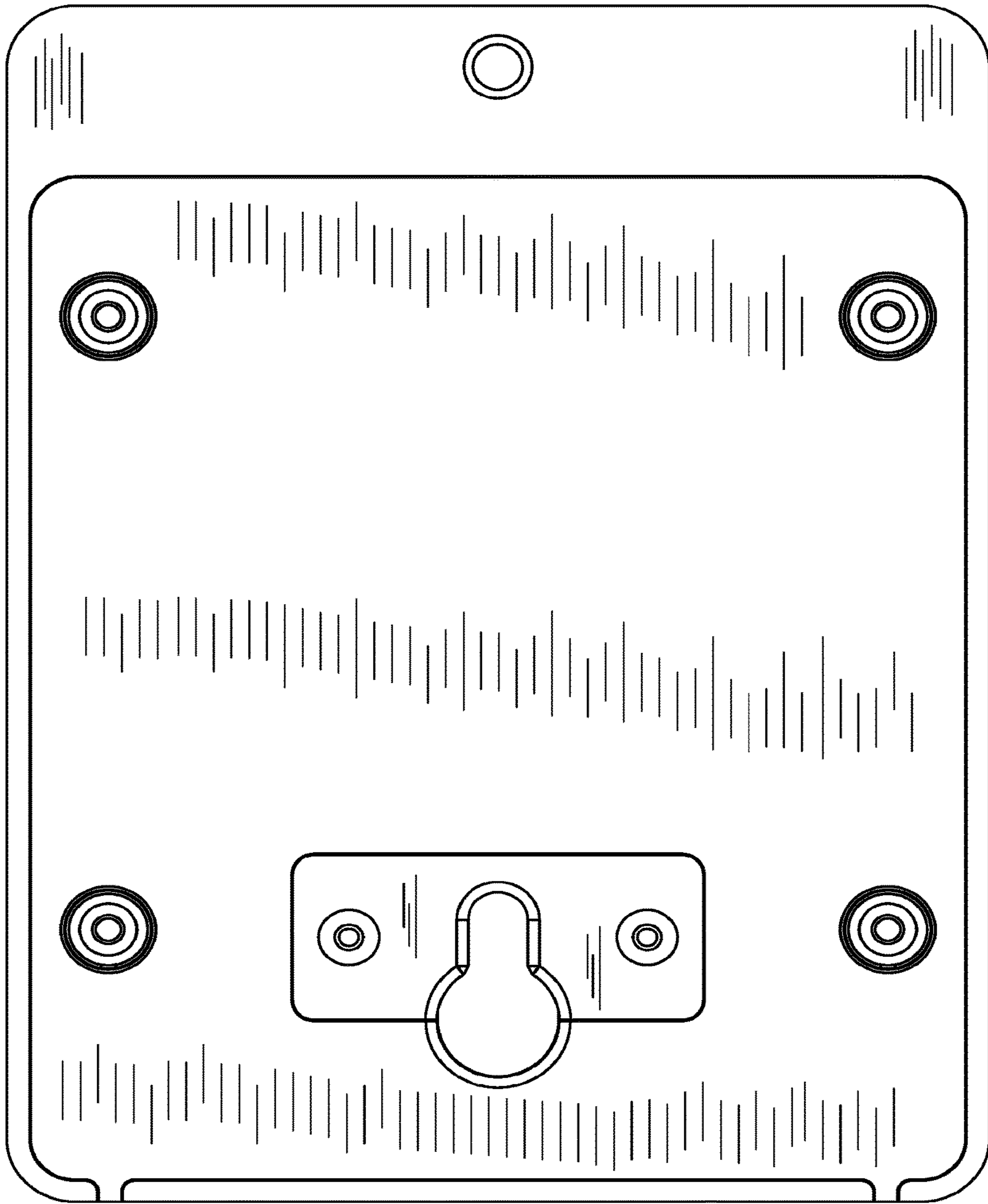


FIG. 4

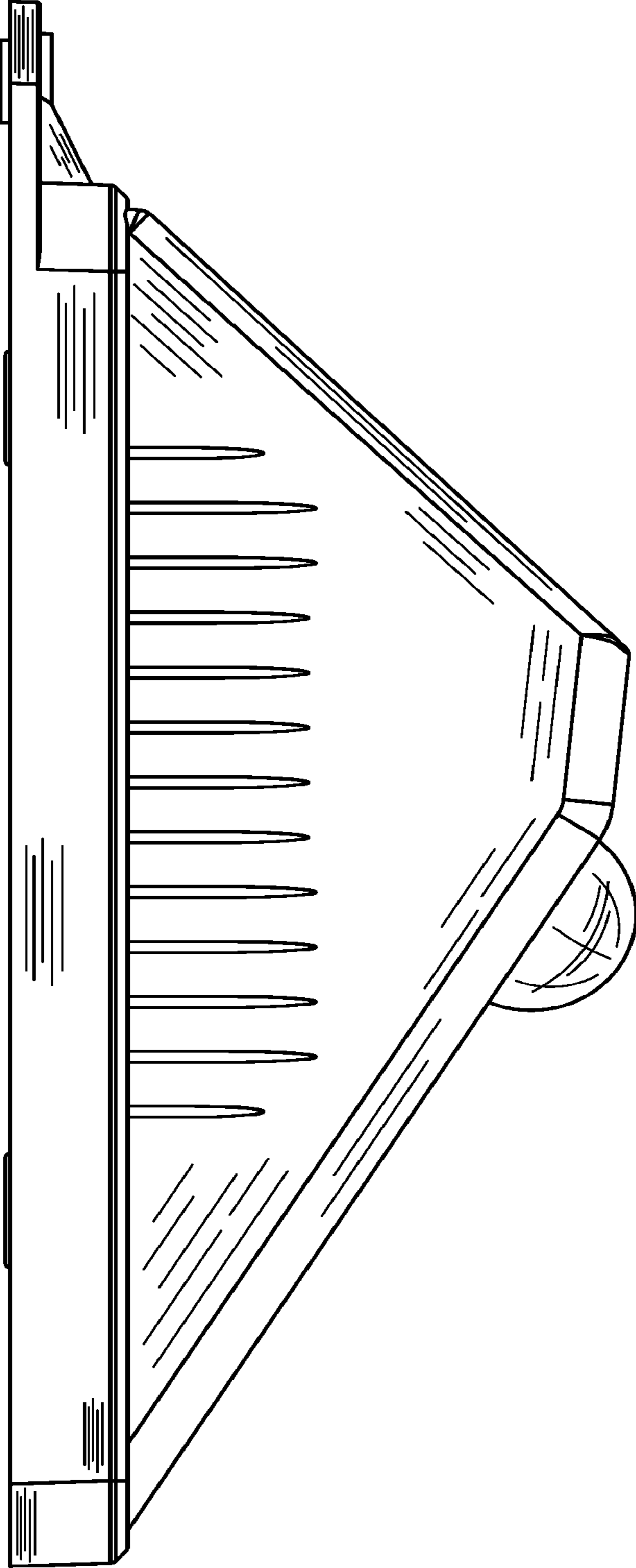


FIG. 5

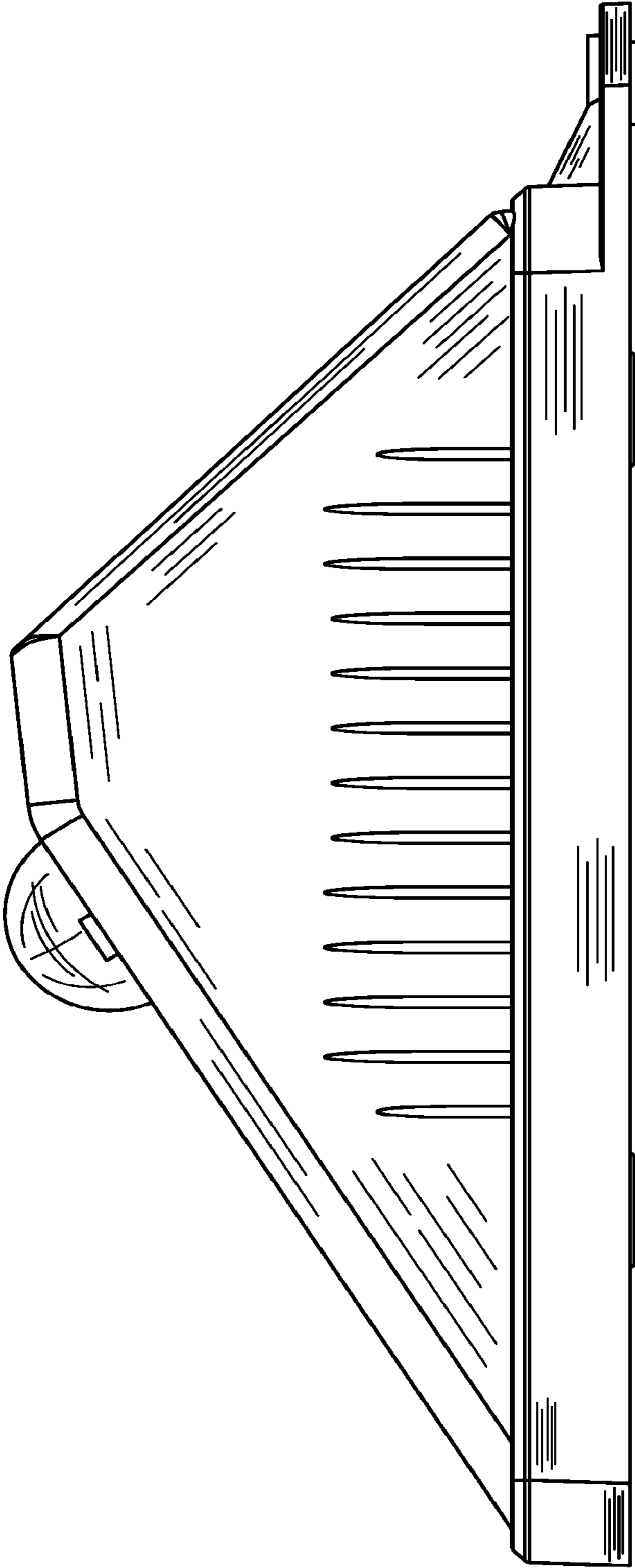


FIG. 6

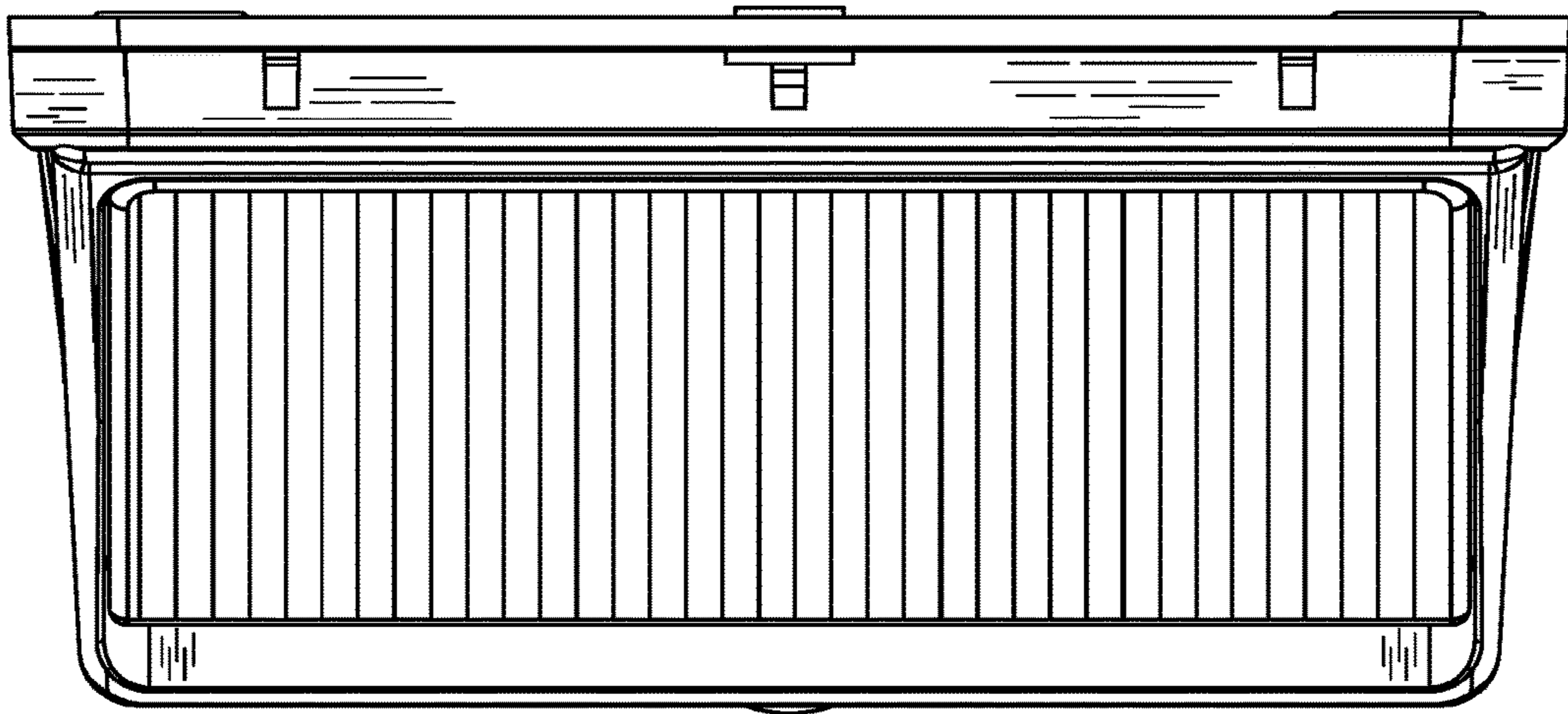


FIG. 7

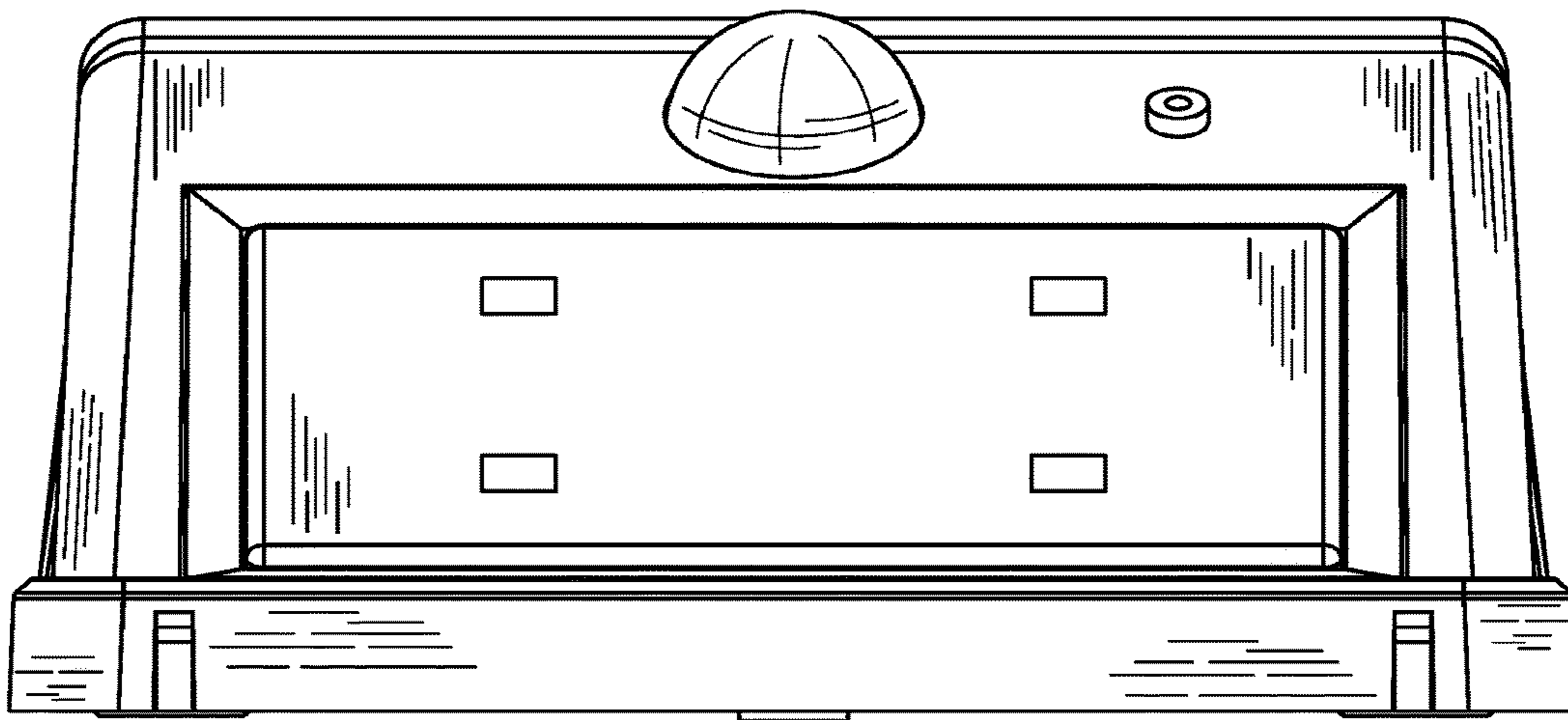


FIG.8