

US00D791993S

(12) **United States Design Patent** (10) **Patent No.:** **US D791,993 S**  
**Ferlauto et al.** (45) **Date of Patent:** **\*\* Jul. 11, 2017**

(54) **COMBINED LASER LIGHT PROJECTOR AND REMOTE CONTROL**

FOREIGN PATENT DOCUMENTS

(71) Applicant: **Prime Wire & Cable, Inc.**, La Jolla, CA (US)

CN 2211610 Y 11/1995  
CN 102644852 A 8/2012  
(Continued)

(72) Inventors: **Bill Ferlauto**, Mooresville, NC (US);  
**Jeff Millar-Sax**, Yucaipa, CA (US);  
**Jerzy Marcinkowski**, Corona, CA (US);  
**Liang-Hsu Kuo**, Dongguan (CN)

OTHER PUBLICATIONS

Starry Laser Lights Projector Landscape Light with Wireless Remote found at Amazon.com visited May 1, 2017. Item first available at amazon.com Sep. 24, 2016. (4 pages).\*

(\*\*) Term: **15 Years**

(Continued)

(21) Appl. No.: **29/555,223**

*Primary Examiner* — Clare E Heflin

(22) Filed: **Feb. 19, 2016**

(74) *Attorney, Agent, or Firm* — Buche & Associates, P.C.; John K. Buche; Bryce A. Johnson

(51) **LOC (10) Cl.** ..... **26-05**

(52) **U.S. Cl.**  
USPC ..... **D26/63; D26/67**

(57) **CLAIM**

(58) **Field of Classification Search**  
USPC ..... D26/63, 67, 68  
CPC .... F21S 8/003; F21S 8/08; F21S 8/081; F21S 8/083; F21S 9/03; F21S 9/032; F21S 9/035; F21S 9/037; F21V 21/0824; F21V 21/30; F21W 2121/004; F21W 2131/105; F21W 2131/109

We claim the ornamental design for a “combined laser light projector and remote control,” as shown.

**DESCRIPTION**

See application file for complete search history.

FIG. 1 is a perspective view of the combined laser light projector and remote control; and,  
FIG. 2 is a front view of the combined laser light projector and remote control of FIG. 1;  
FIG. 3 is a back view of the combined laser light projector and remote control of FIG. 1;  
FIG. 4 is a right side view of the combined laser light projector and remote control of FIG. 1;  
FIG. 5 is a left side view of the combined laser light projector and remote control of FIG. 1;  
FIG. 6 is a top view of the combined laser light projector and remote control of FIG. 1; and,  
FIG. 7 is a bottom view of the combined laser light projector and remote control of FIG. 1.  
The nature and intended use of the article in which the design is embodied is the projection of light.

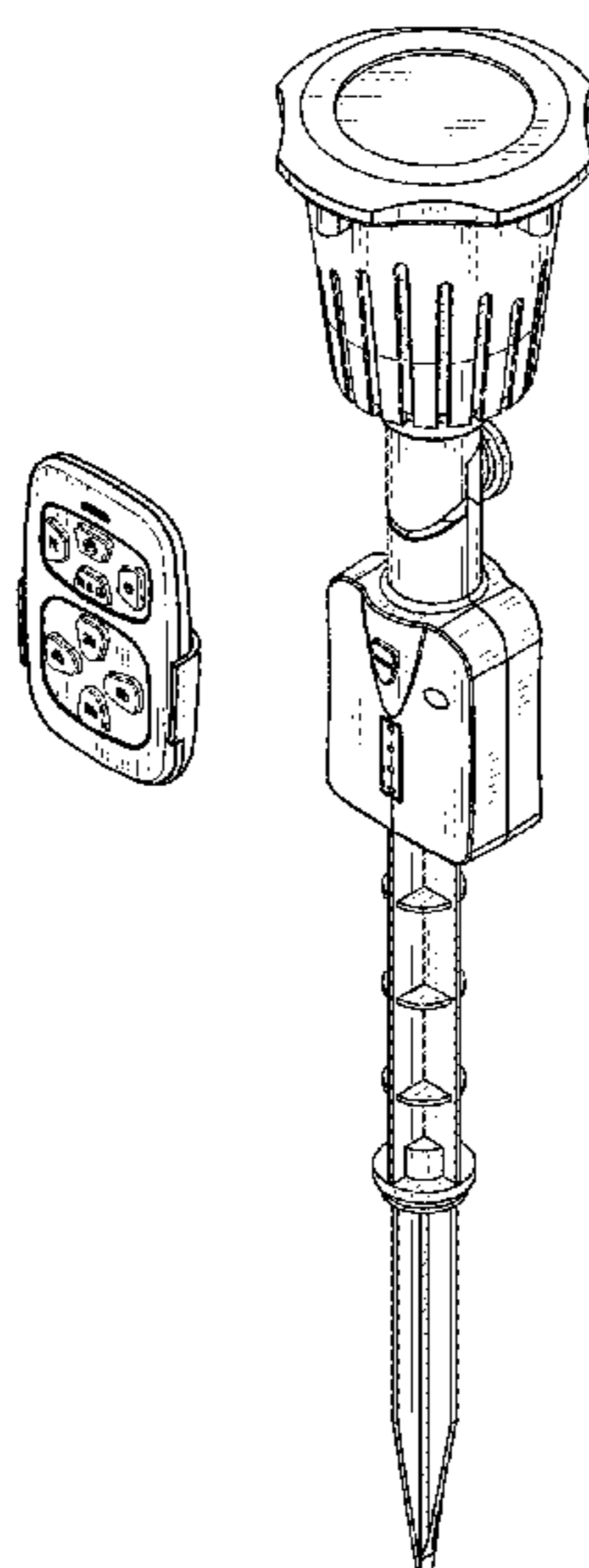
(56) **References Cited**

U.S. PATENT DOCUMENTS

2,493,238 A 10/1945 Eddy  
2,607,269 A 8/1952 Elsaesser  
D172,523 S \* 6/1954 Stone ..... D26/138  
D173,139 S \* 10/1954 Black ..... D26/138  
3,104,064 A \* 9/1963 Bellek ..... F21S 8/081  
362/267  
3,541,323 A 11/1970 Stewart et al.  
3,635,545 A 1/1972 VanKerkhove et al.  
3,767,299 A 10/1973 Fisher  
3,851,961 A 12/1974 Winzer  
4,109,304 A 8/1978 Khvalovsky et al.

(Continued)

**1 Claim, 3 Drawing Sheets**



(56)

References Cited

U.S. PATENT DOCUMENTS

4,779,176 A 10/1988 Bornhorst  
 4,814,961 A \* 3/1989 O'Brien ..... F21S 8/083  
 362/291  
 5,082,447 A 1/1992 Hinkle  
 D340,305 S \* 10/1993 Hall ..... D26/68  
 D360,961 S \* 8/1995 Czerlanis ..... D26/63  
 5,450,148 A 9/1995 Shu et al.  
 D383,236 S \* 9/1997 Krogman ..... D26/63  
 D412,591 S \* 8/1999 Murch ..... D26/63  
 6,623,126 B2 9/2003 Sekiguchi et al.  
 6,769,778 B1 8/2004 Lloyd  
 7,004,588 B2 2/2006 Sadler  
 D551,789 S \* 9/2007 Mullen ..... D26/63  
 D613,440 S \* 4/2010 Lindholm ..... D26/63  
 D628,329 S \* 11/2010 Tuli ..... D26/63  
 D634,871 S \* 3/2011 Wooh ..... D26/63  
 D641,904 S \* 7/2011 Winstanley ..... D26/63  
 D647,234 S \* 10/2011 Izardel ..... D26/65  
 8,662,707 B2 3/2014 Scott et al.  
 D716,982 S 11/2014 Corey  
 8,894,216 B2 11/2014 Reichow et al.  
 D764,694 S \* 8/2016 Tsai ..... D26/63

D777,965 S \* 1/2017 Mirchandani ..... D26/67  
 2005/0195456 A1 9/2005 Houde-Walter et al.  
 2007/0291477 A1 12/2007 Khubani  
 2009/0180283 A1 7/2009 Chu  
 2010/0165297 A1 7/2010 Mizushima et al.  
 2010/0265715 A1 \* 10/2010 Winstanley ..... F21S 2/00  
 362/277  
 2012/0305230 A1 12/2012 Breen, IV et al.  
 2016/0238221 A1 \* 8/2016 Lentine ..... F21V 21/0824  
 2016/0369996 A1 \* 12/2016 Qin ..... F21V 21/0824  
 2017/0045208 A1 \* 2/2017 Lentine ..... F21V 21/0824  
 2017/0045212 A1 \* 2/2017 Ghasabi ..... F21V 21/30  
 2017/0082254 A1 \* 3/2017 Zhang ..... A63H 27/10

FOREIGN PATENT DOCUMENTS

CN 202972945 U 6/2013  
 EP 1085307 A1 3/2001

OTHER PUBLICATIONS

Almatess Garden Laser Light with Wireless Remote found at amazon.com, visited May 1, 2017. (4 pages).\*

\* cited by examiner

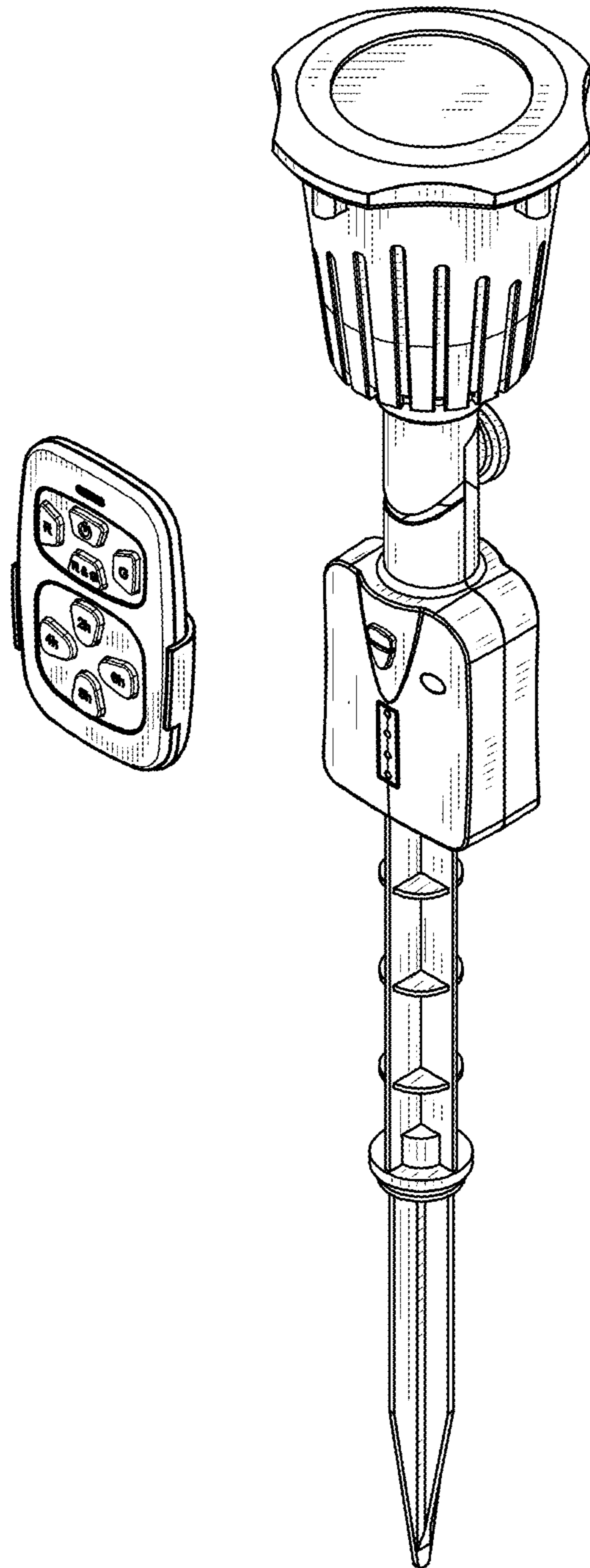


FIG. 1

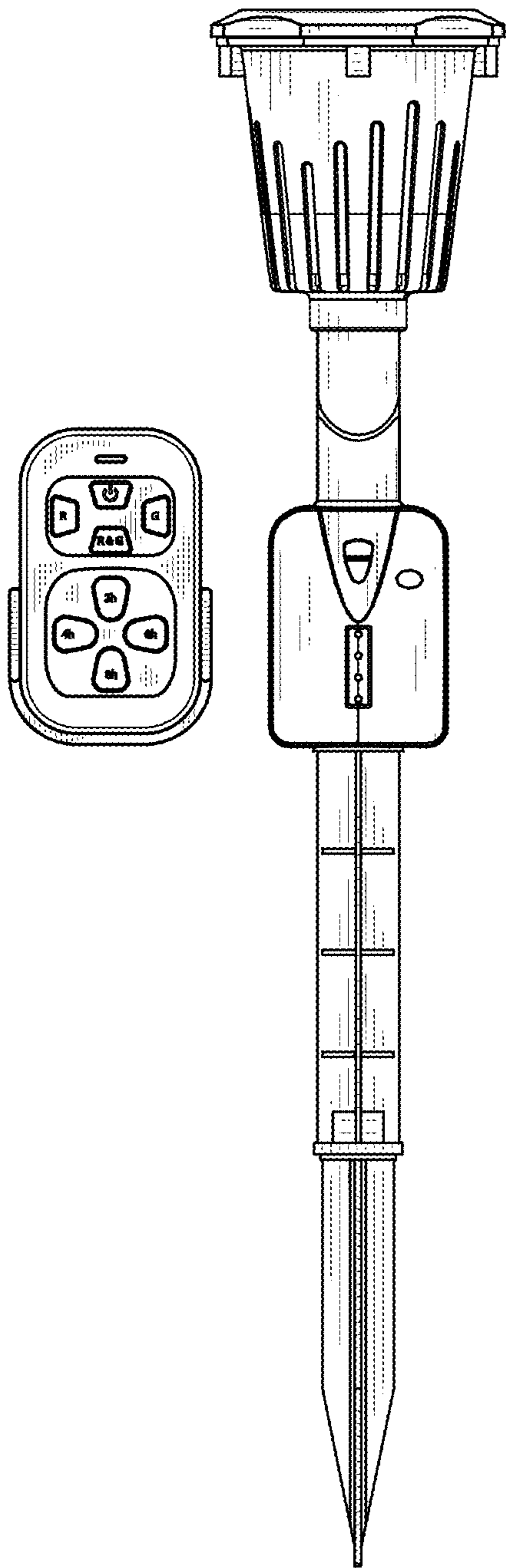


FIG. 2

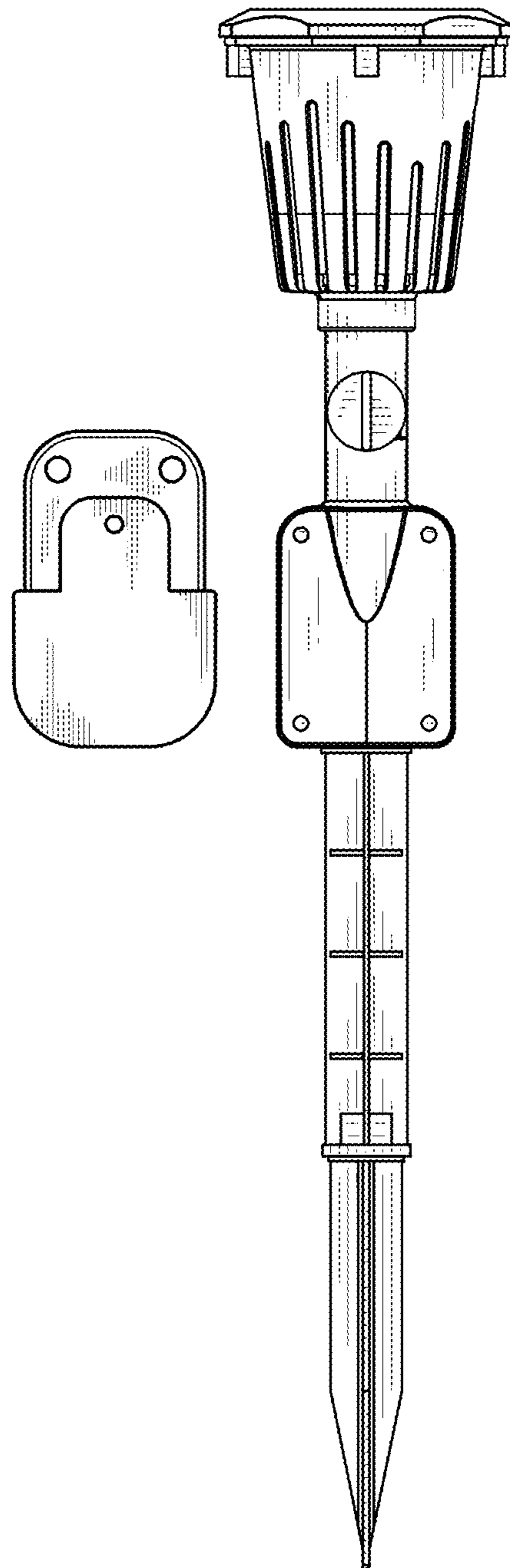


FIG. 3



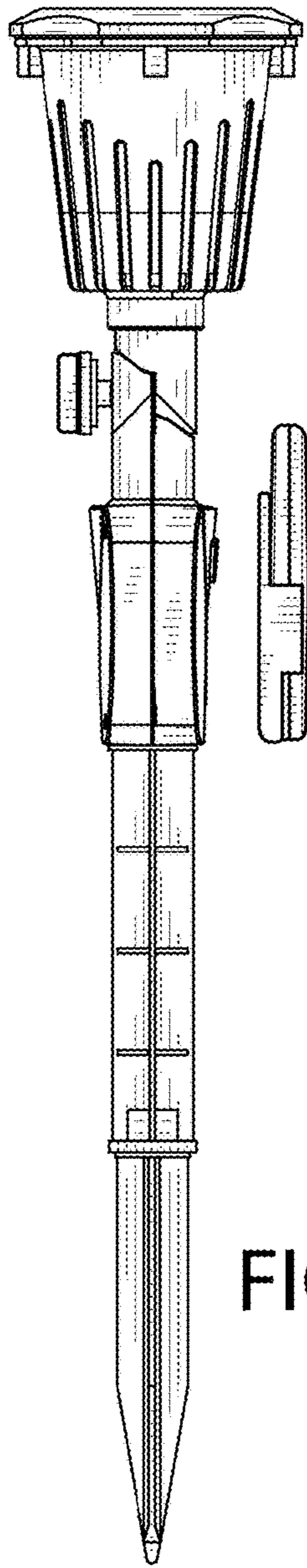


FIG. 4

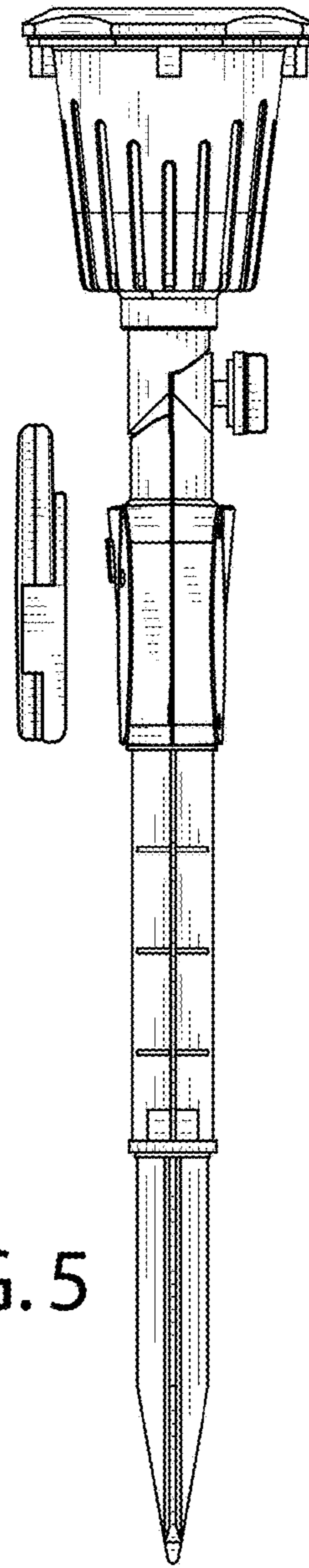


FIG. 5

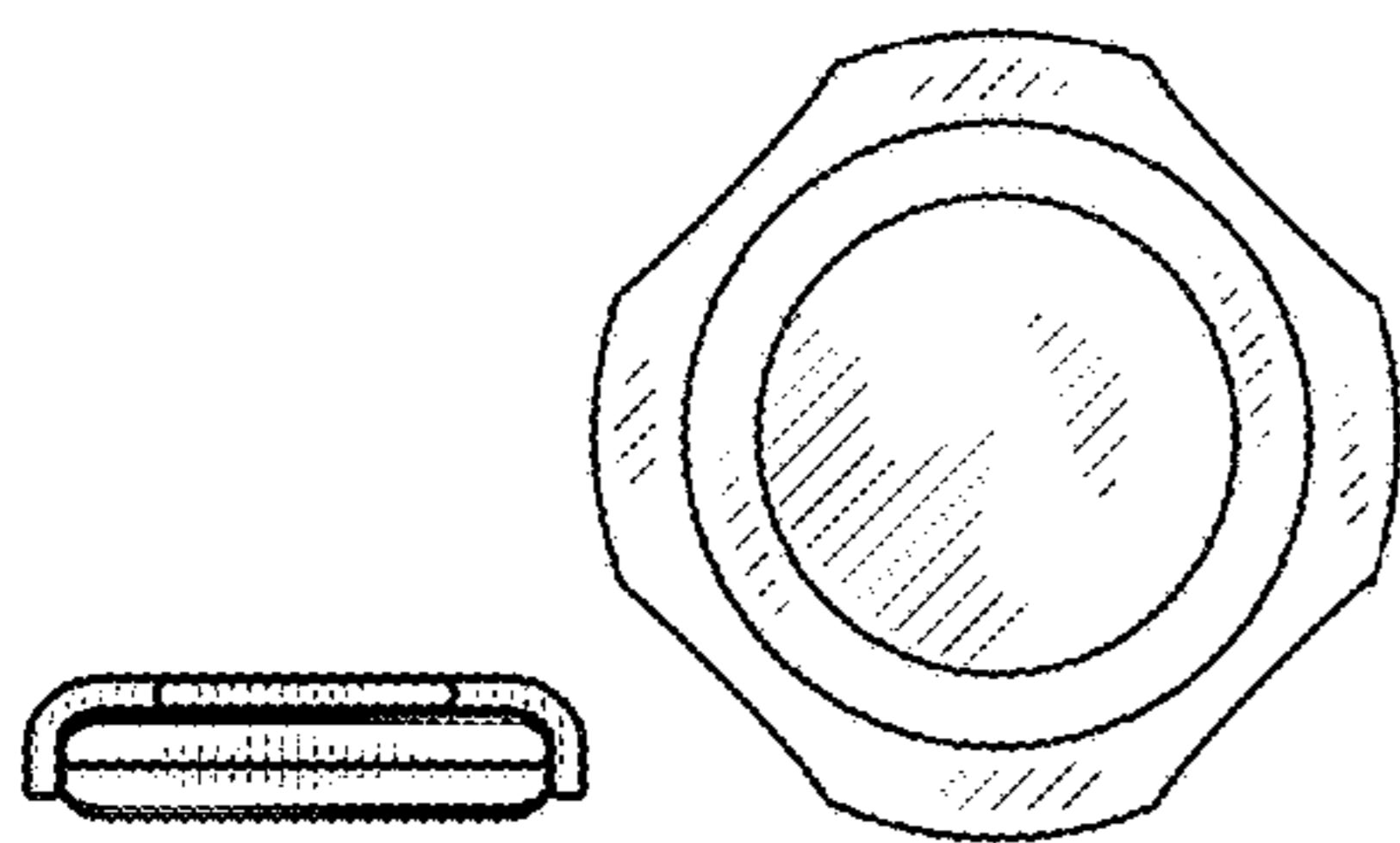


FIG. 6

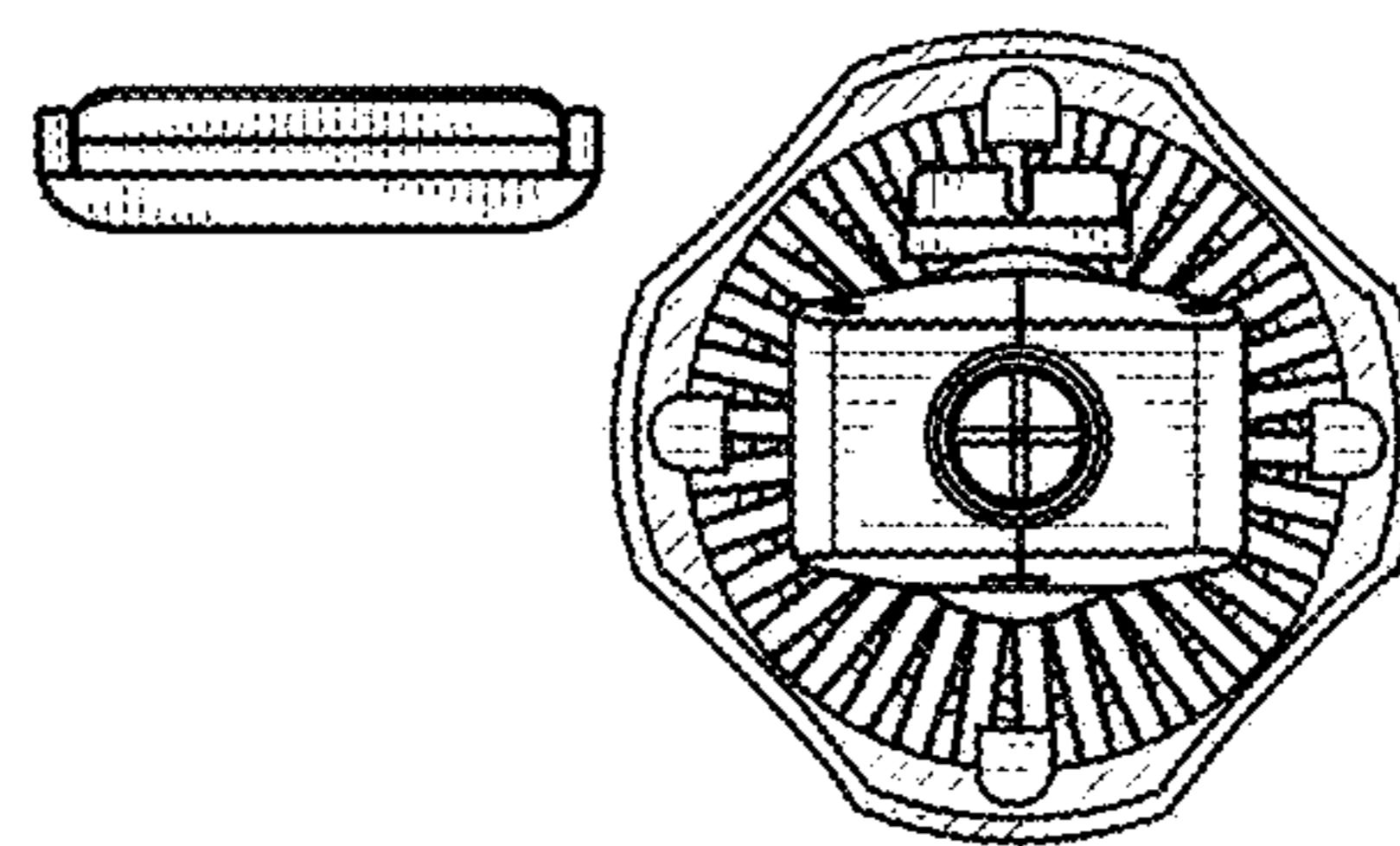


FIG. 7