



US00D791987S

(12) **United States Design Patent**  
**Lin**

(10) **Patent No.:** **US D791,987 S**

(45) **Date of Patent:** **\*\* Jul. 11, 2017**

(54) **VEHICLE HEADLIGHT**

(71) Applicant: **KUEN HWA TRAFFIC INDUSTRIAL CO., LTD.**, Tainan (TW)

(72) Inventor: **Yung-Hsiang Lin**, Tainan (TW)

(73) Assignee: **Kuen Hwa Traffic Industrial Co., Ltd.**, Tainan (TW)

(\*\*) Term: **15 Years**

(21) Appl. No.: **29/561,778**

(22) Filed: **Apr. 20, 2016**

(51) **LOC (10) Cl.** ..... **26-06**

(52) **U.S. Cl.**  
USPC ..... **D26/28**

(58) **Field of Classification Search**  
USPC ..... D26/28-36; 362/80-83, 267-269, 362/459-468, 475-478, 485-487  
CPC ..... F21S 48/00; F21S 48/10; F21S 48/115; F21S 48/1233; F21S 48/1266; F21S 48/1388; F21S 48/2268; F21V 21/04  
See application file for complete search history.

(56) **References Cited**

**U.S. PATENT DOCUMENTS**

D586,019 S \* 2/2009 Hsu ..... D26/28  
D674,938 S \* 1/2013 Lai ..... D26/28

D674,941 S \* 1/2013 Lai ..... D26/28  
D691,298 S \* 10/2013 Binder ..... D26/28  
D743,071 S \* 11/2015 Kao ..... D26/28  
D750,818 S \* 3/2016 Lin ..... D26/28  
D761,463 S \* 7/2016 Lai ..... D26/28

\* cited by examiner

*Primary Examiner* — Marcus Jackson

(74) *Attorney, Agent, or Firm* — Rosenberg, Klein & Lee

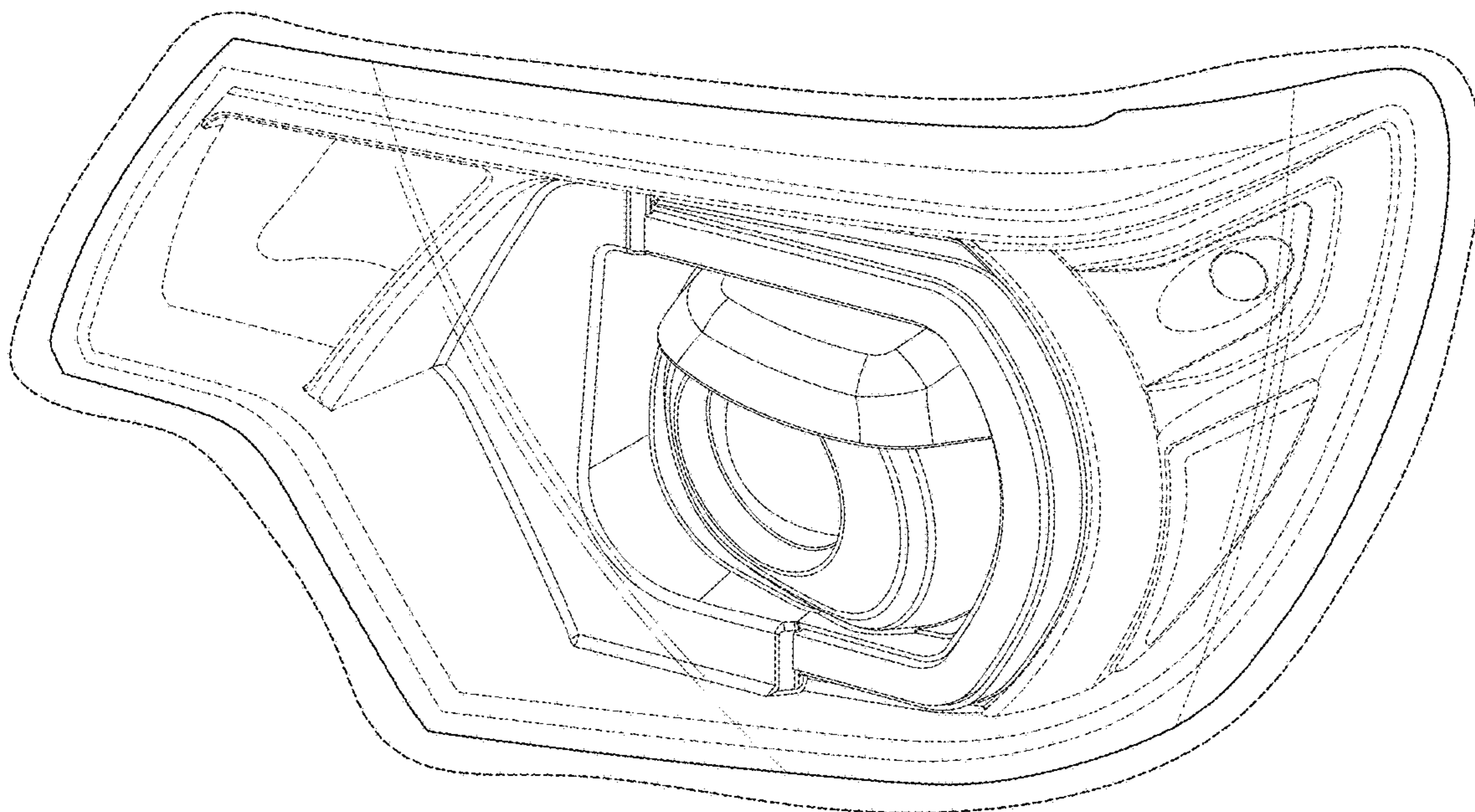
(57) **CLAIM**

The ornamental design for a vehicle headlight, as shown and described.

**DESCRIPTION**

FIG. 1 is a perspective view of a vehicle headlight showing my present design;  
FIG. 2 is a front view thereof;  
FIG. 3 is a right view thereof;  
FIG. 4 is a top plan view thereof, and,  
FIG. 5 is another perspective view thereof.  
The broken lines in the drawings illustrate portions of the vehicle headlight which form no part of the claimed design.

**1 Claim, 5 Drawing Sheets**



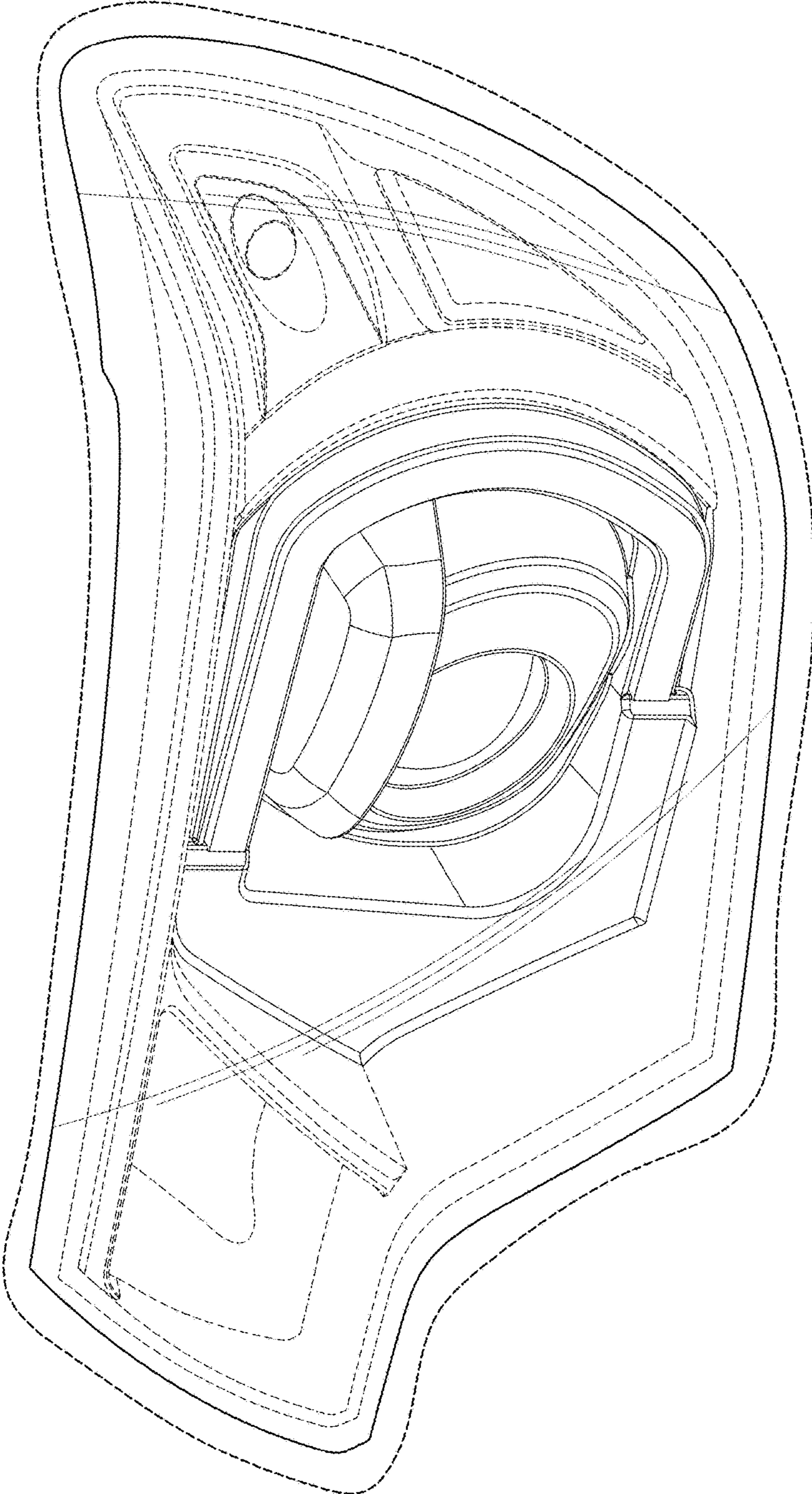


FIG. 1

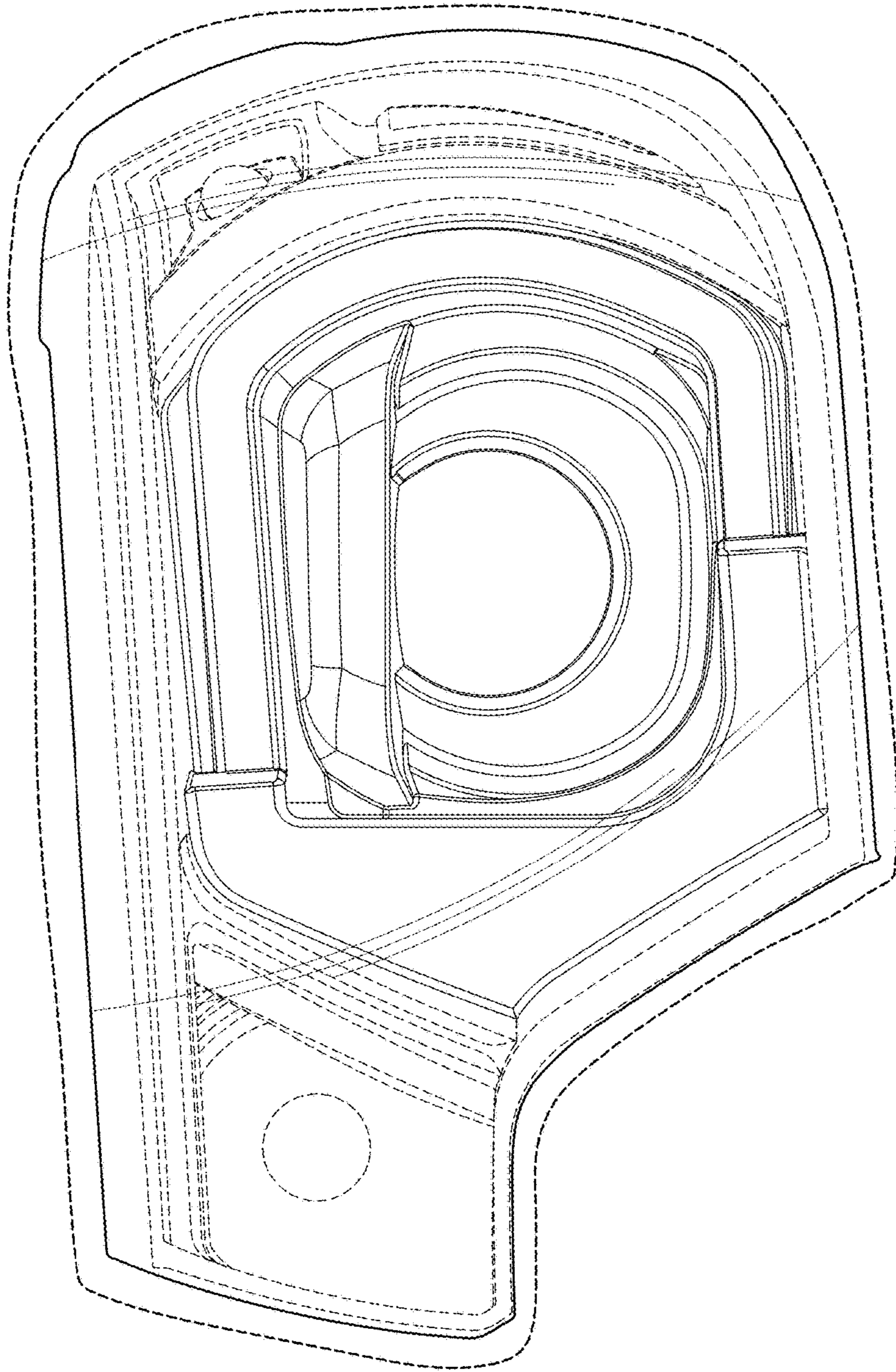


FIG. 2

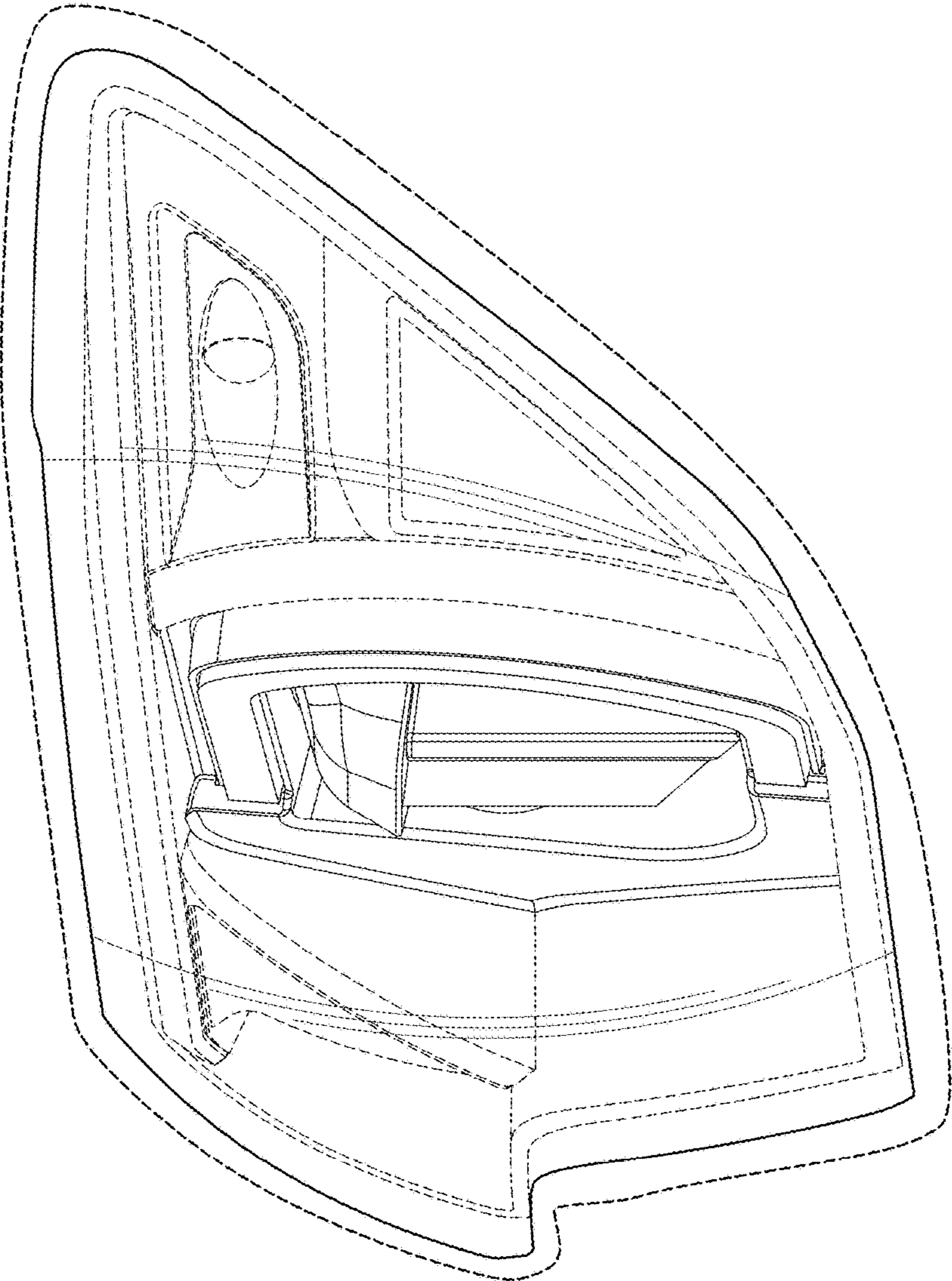


FIG. 3

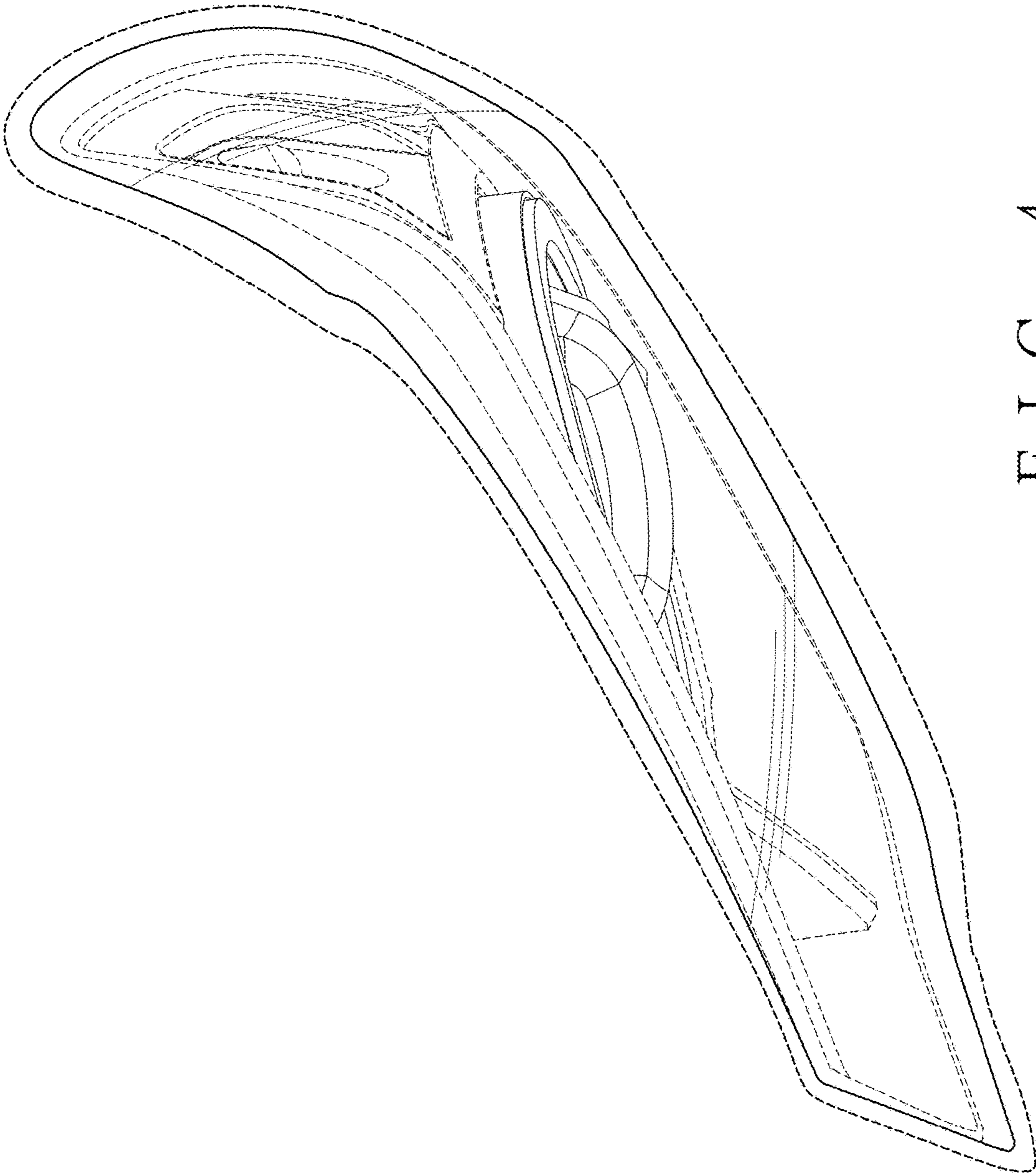


FIG. 4

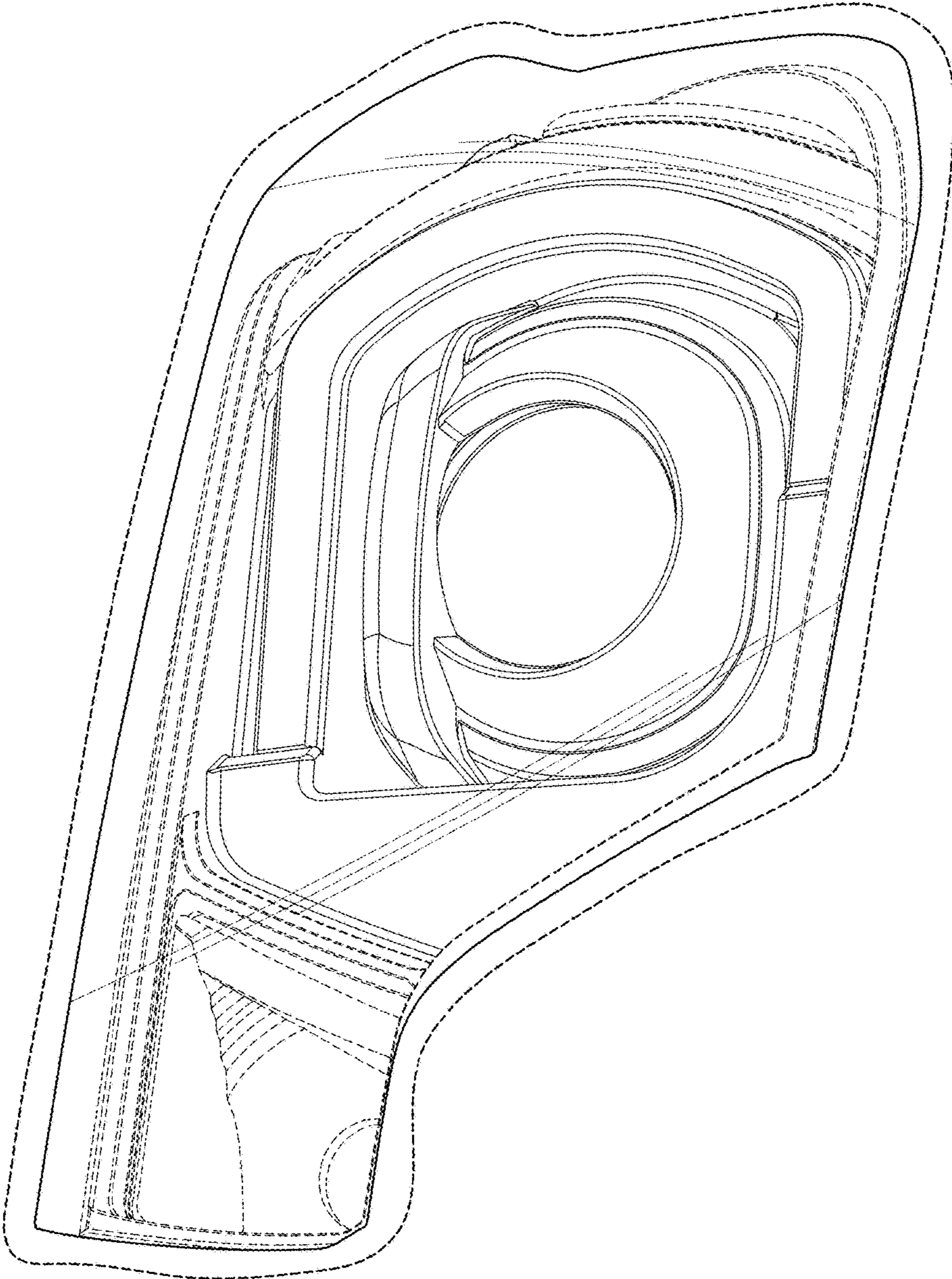


FIG. 5