



US00D791984S

(12) **United States Design Patent**
Zhang et al.

(10) **Patent No.:** **US D791,984 S**

(45) **Date of Patent:** **** Jul. 11, 2017**

(54) **BOTTOM PORTION OF A LAMP**

D610,275 S * 2/2010 Cho D26/2
D612,956 S * 3/2010 Moon D26/2
D613,433 S * 4/2010 Moon D26/2

(71) Applicant: **GE LIGHTING SOLUTIONS, LLC,**
East Cleveland, OH (US)

* cited by examiner

(72) Inventors: **Wenjiang Zhang,** Shanghai (CN); **Jing Chen,** Shanghai (CN); **Rui Ma,** Shanghai (CN)

Primary Examiner — Marcus Jackson

(74) *Attorney, Agent, or Firm* — GE Global Patent Operation; Peter T. DiMauro

(73) Assignee: **GE LIGHTING SOLUTIONS, LLC,**
East Cleveland, OH (US)

(**) Term: **15 Years**

(57) **CLAIM**

(21) Appl. No.: **29/566,268**

The ornamental design for a bottom portion of a lamp, as shown and described.

(22) Filed: **May 27, 2016**

(51) **LOC (10) Cl.** **26-04**

(52) **U.S. Cl.**
USPC **D26/2**

DESCRIPTION

(58) **Field of Classification Search**
USPC D26/1-4; 313/313, 315, 316, 317, 318,
313/493; 315/52, 53, 56, 57

FIG. 1 is a perspective view of a bottom portion of a lamp in accordance with the present design;

FIG. 2 is a front view thereof, the rear view being a mirror image;

FIG. 3 is a right view thereof, the left view being a mirror image;

FIG. 4 is a bottom view thereof; and,

FIG. 5 is a top view thereof.

The broken lines are for illustrative purposes only and form no part of the claimed design. Any shading forms no part of the claimed design and is provided to illustrate contour only and is not an indication of texture, gloss, and the like.

CPC F21K 9/13; F21K 9/135; F21K 9/1375;
H01R 5/00; H01R 13/46; H01R 13/514;
H01R 31/048; H01R 31/02; H01J 5/00;
H01J 5/16; H01J 15/00; H01J 5/48; H01J
5/50; H01J 19/54; F21V 5/00

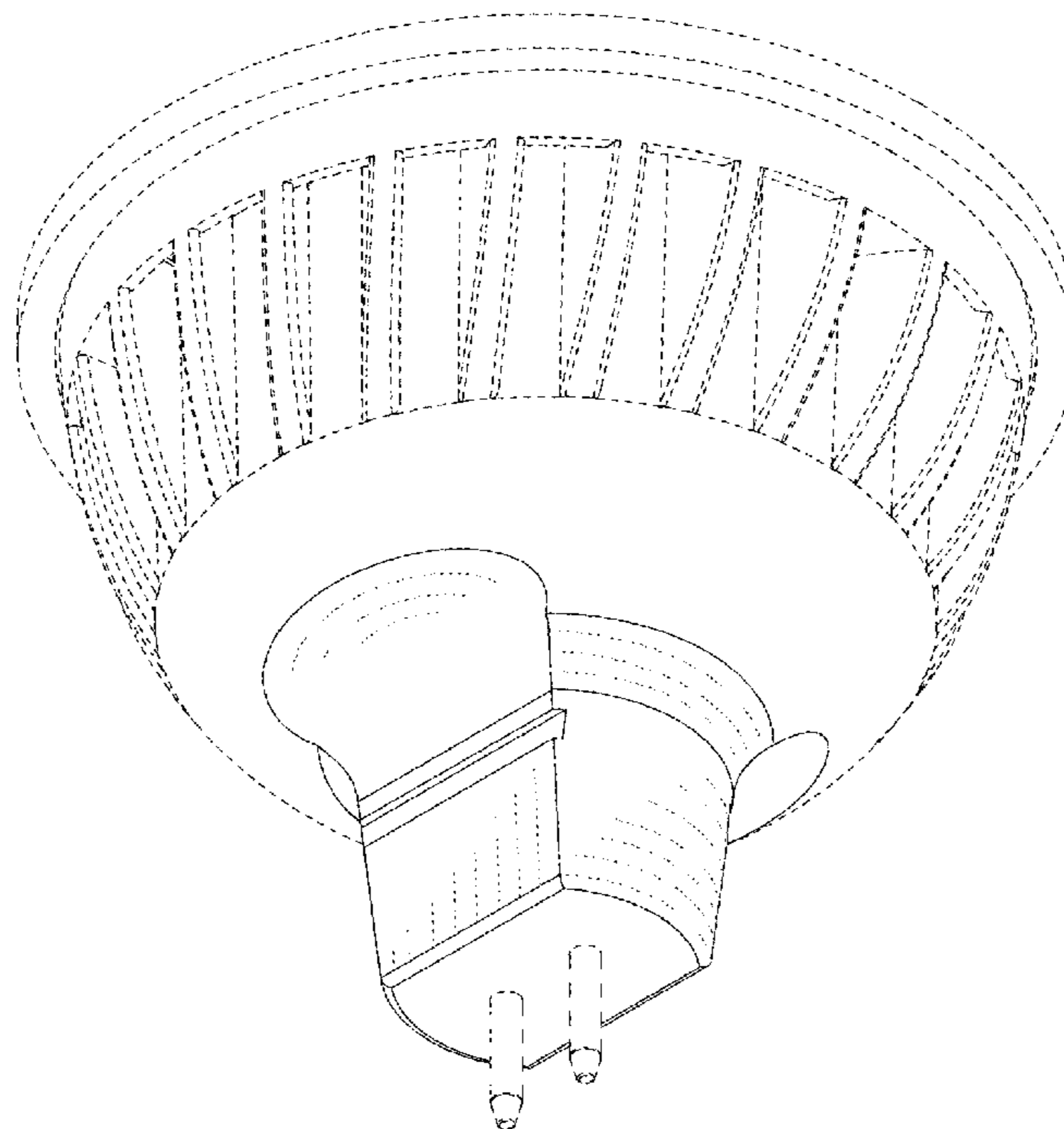
See application file for complete search history.

(56) **References Cited**

U.S. PATENT DOCUMENTS

D592,766 S * 5/2009 Zhu D26/2
D607,587 S * 1/2010 Ko D26/2

1 Claim, 5 Drawing Sheets



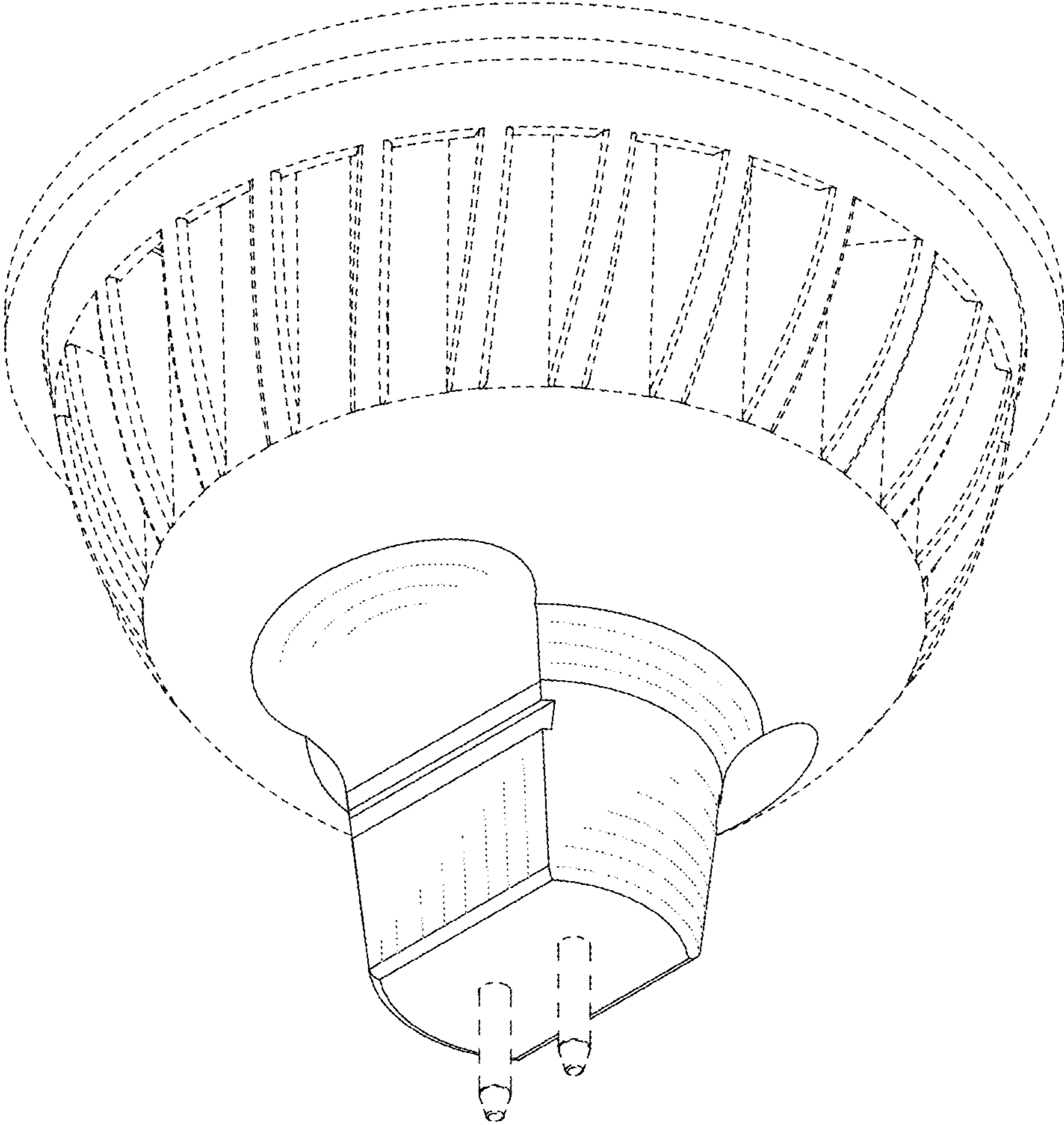


FIG. 1

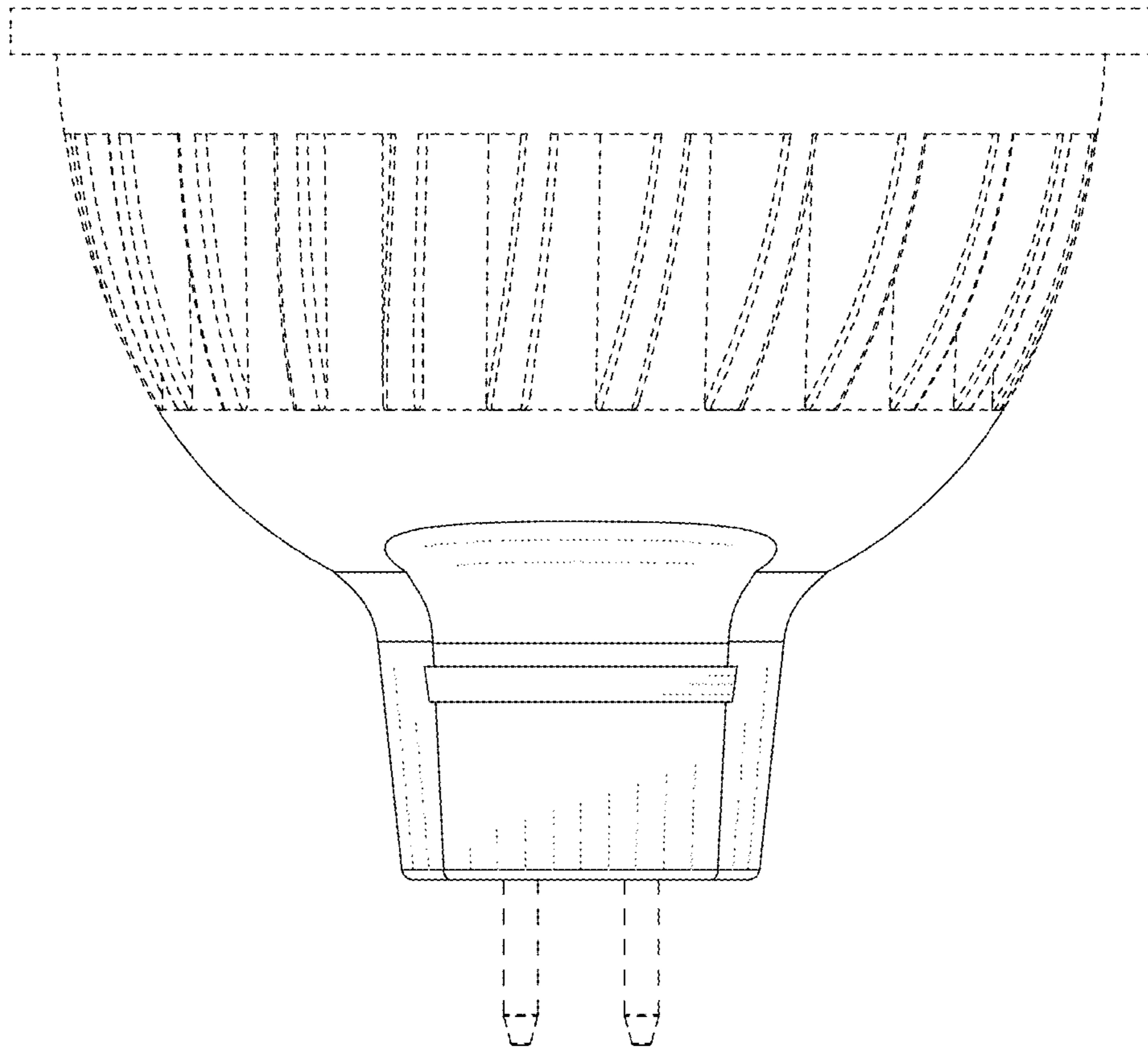


FIG. 2

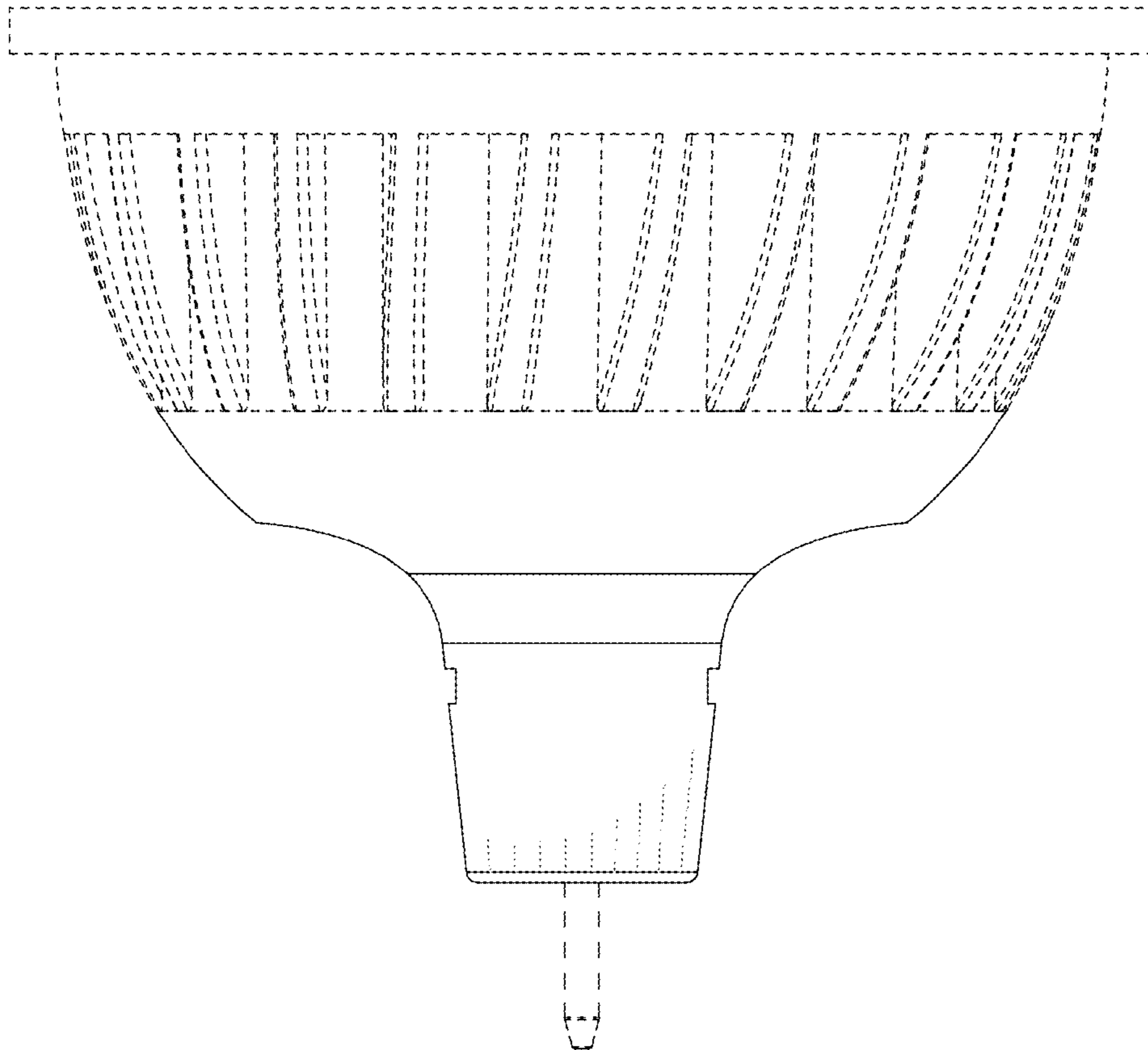


FIG. 3

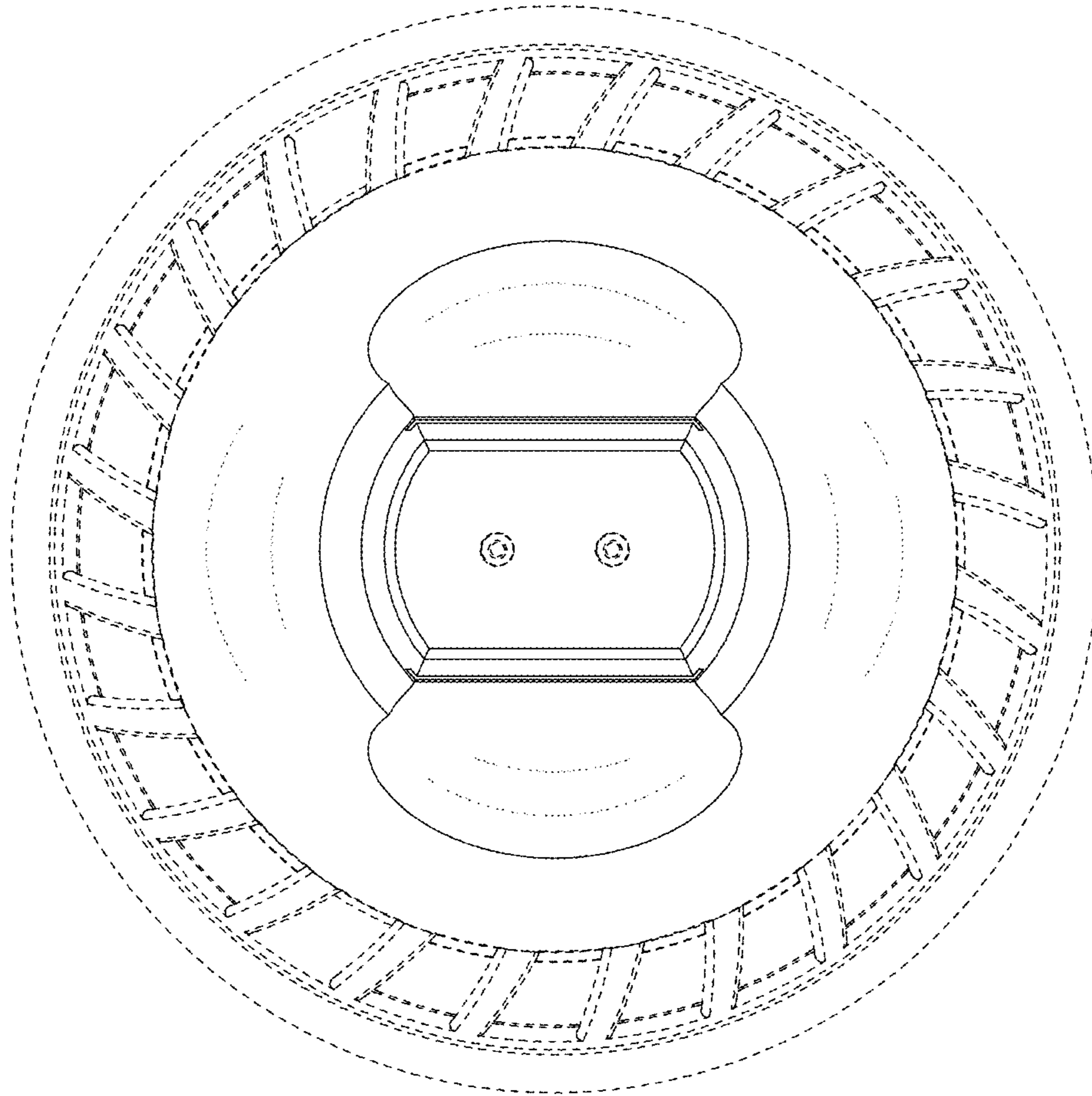


FIG. 4

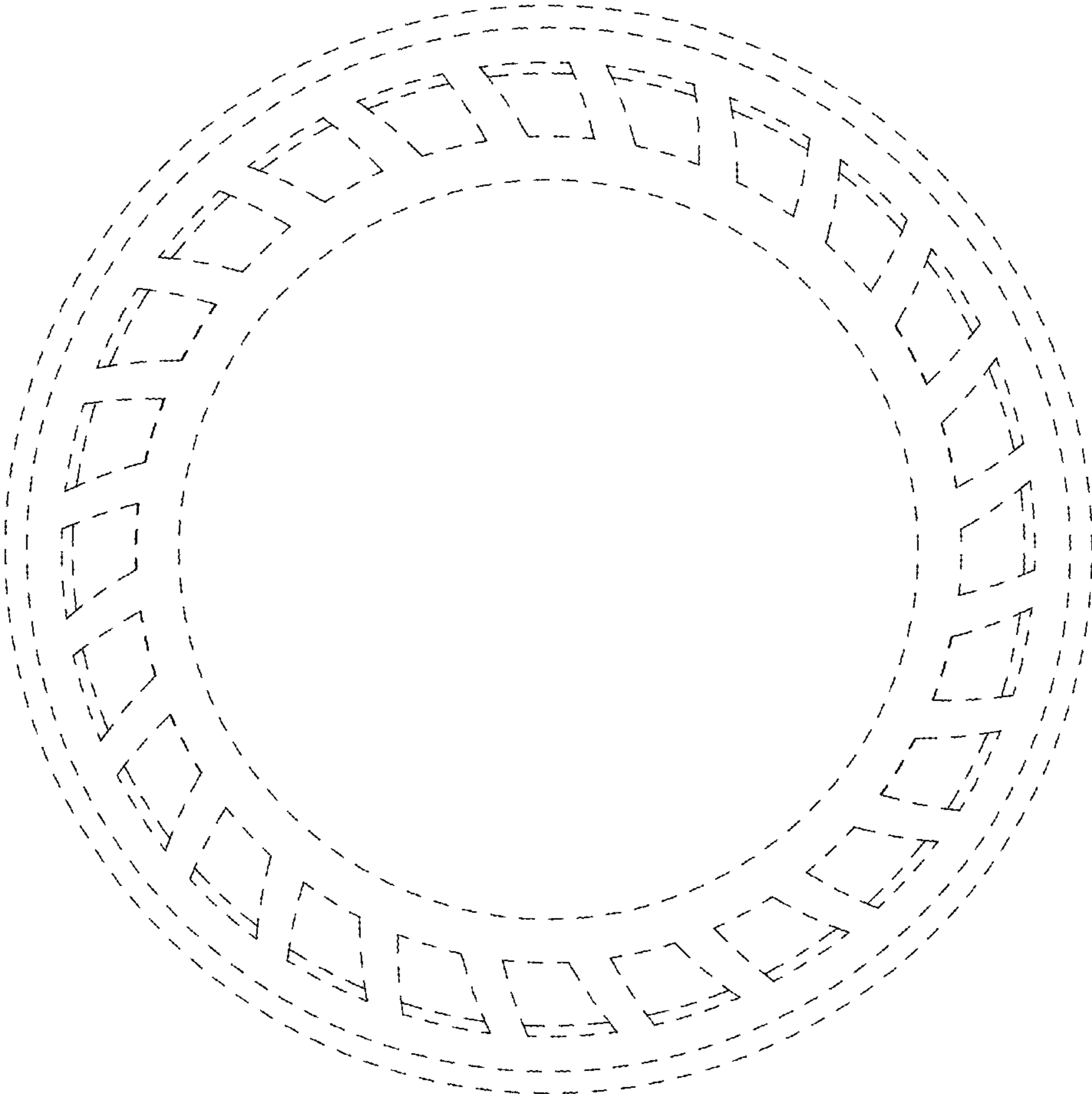


FIG. 5