

US00D791982S

(12) **United States Design Patent** (10) **Patent No.:** **US D791,982 S**
Coric (45) **Date of Patent:** **** Jul. 11, 2017**

(54) **BASEBOARD AND CORNER KIT**
(71) Applicant: **Ronny Coric**, Torrance, CA (US)
(72) Inventor: **Ronny Coric**, Torrance, CA (US)
(**) Term: **14 Years**
(21) Appl. No.: **29/493,267**
(22) Filed: **Jun. 6, 2014**
(51) **LOC (10) Cl.** **25-99**
(52) **U.S. Cl.**
USPC **D25/199; D8/349**
(58) **Field of Classification Search**
USPC D25/35, 38.1, 39, 40, 41.1, 42, 43, 44,
D25/48.3, 48.4, 58, 60, 61, 119-129, 132,
D25/136, 138; D8/323, 349, 353-355,
D8/366, 367, 371, 373-375, 380-382,
D8/386, 400-403; 52/204.1, 204.5, 208,
52/210, 211-213, 287.1, 290, 292-297,
52/302.1, 416, 417, 419, 420, 459, 461,
52/464, 465, 468-471, 717.01-717.06,
52/718.01-718.04; 248/48.2, 200, 201,
248/205.1, 207, 220.1, 220.21, 300, 236,
(Continued)

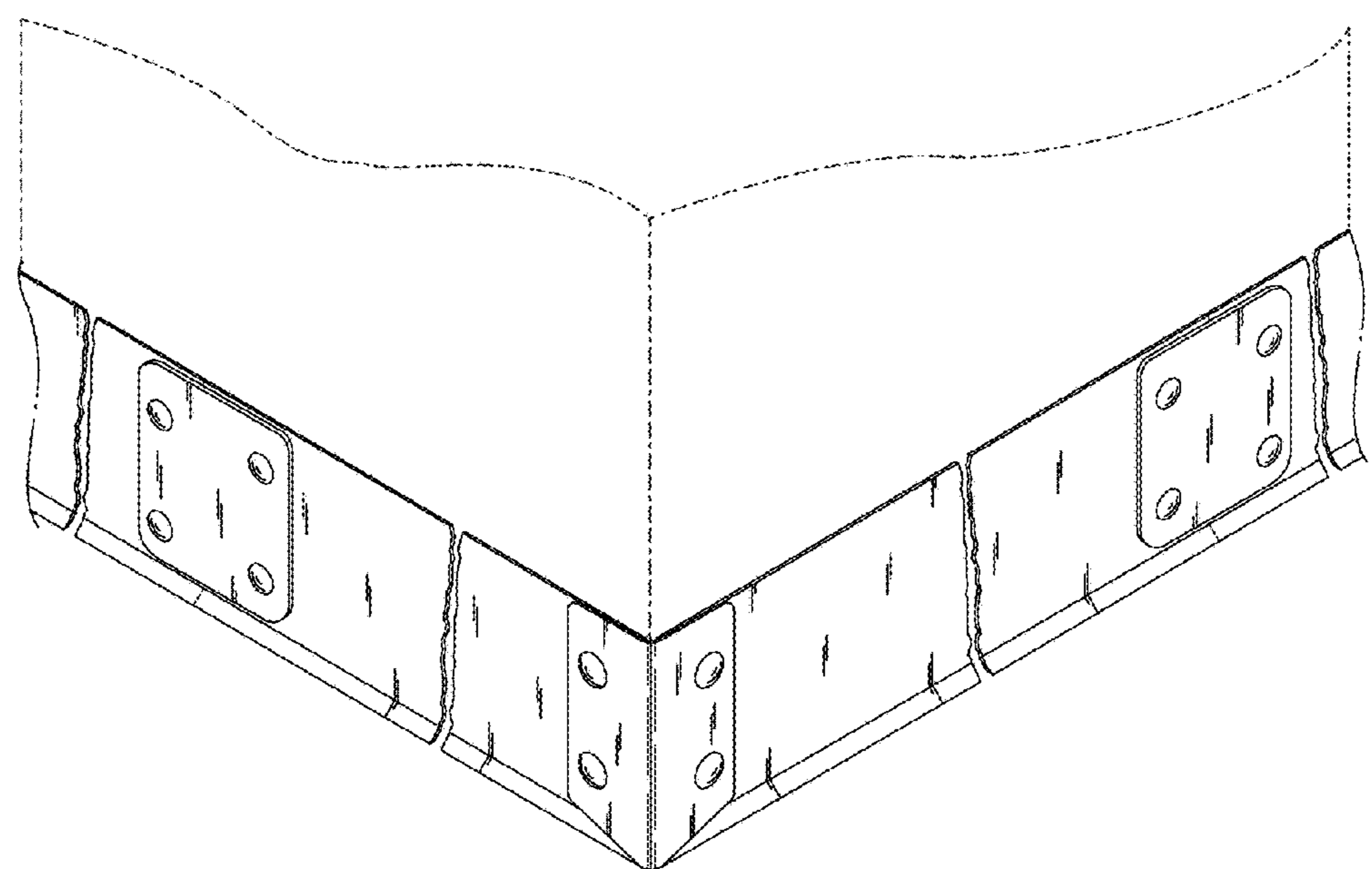
(56) **References Cited**
U.S. PATENT DOCUMENTS
2,705,250 A * 3/1955 Kirkman H01M 6/46
429/153
2,787,037 A * 4/1957 Hobbs A47B 3/12
403/321
(Continued)

Primary Examiner — Garth Rademaker
Assistant Examiner — Llorelys Martinez-Rivera

(74) *Attorney, Agent, or Firm* — George P. White
(57) **CLAIM**
The ornamental design for a baseboard and corner kit, as shown and described.

DESCRIPTION
FIG. 1 is a top, front perspective view of a baseboard and corner kit showing my new design;
FIG. 2 is an exploded view of the baseboard and corner kit in FIG. 1;
FIG. 3 is a top, front perspective view of the outside corner piece in FIG. 2, shown separately for clarity of illustration;
FIG. 4 is a top plan view of the outside corner piece in FIG. 3;
FIG. 5 side elevation view of the outside corner piece in FIG. 3;
FIG. 6 is a top, front perspective view of the coupling plate in FIG. 2, shown separately for clarity of illustration;
FIG. 7 is a front elevation view of the coupling plate in FIG. 6;
FIG. 8 is a top plan view of the coupling plate in FIG. 6;
FIG. 9 is side elevation view of the coupling plate in FIG. 6, the opposite side elevation view being a mirror image thereof;
FIG. 10 is a top, front perspective view of the baseboard in FIG. 2, shown separately for clarity of illustration;
FIG. 11 is a front elevation view of the baseboard in FIG. 10;
FIG. 12 a side elevation view of the baseboard in FIG. 10, the opposite side being a mirror image thereof; and,
FIG. 13 is a top plan view of the baseboard in FIG. 10.
The baseboard and corner kit is shown with symbolic breaks in its length. The appearance of any portion of the baseboard and corner kit between the break lines forms no part of the claimed design.
The dash-dot-dash broken lines shown in FIGS. 1 through 3 illustrate environmental subject matter only and form no part of the claimed design. The evenly spaced broken lines in FIGS. 2, 4, 8 and 10 illustrate portions of the baseboard and corner kit that form no part of the claimed design.

1 Claim, 7 Drawing Sheets



US D791,982 S

Page 2

(58) **Field of Classification Search**

USPC 248/309.1, 297.21; 384/428, 535, 537;
249/208, 205; 29/428, 525.01

CPC Y10T 29/49627; Y10T 403/73; F16M
13/025; F16M 13/027; F16M 2200/08;
A47B 96/022

See application file for complete search history.

(56) **References Cited**

U.S. PATENT DOCUMENTS

4,593,961 A * 6/1986 Cosmo H05K 7/1061
439/260
5,015,805 A * 5/1991 Beckloff H01R 9/05
174/75 C
5,051,101 A * 9/1991 Komatsu G06K 13/08
439/159
5,271,196 A * 12/1993 Fanti E04H 12/2246
135/16
D378,748 S * 4/1997 Miller D12/223
D394,632 S * 5/1998 Miller D12/223

5,746,611 A * 5/1998 Brown H01R 13/5213
439/135
D422,886 S * 4/2000 Shea D8/354
6,045,416 A * 4/2000 Sinclair H01R 13/04
439/72
D432,000 S * 10/2000 Hays D8/354
D432,394 S * 10/2000 Hays D8/354
D434,509 S * 11/2000 Oliver D25/199
D436,017 S * 1/2001 Hays D8/354
6,193,543 B1 * 2/2001 Howard H01R 13/5833
439/459
D442,197 S * 5/2001 Willet D15/143
D510,772 S * 10/2005 Newland D25/58
D529,196 S * 9/2006 Folliard D25/119
D601,409 S * 10/2009 Bowe D8/349
D619,879 S * 7/2010 McCarthy D8/354
D647,386 S * 10/2011 Pelini D8/349
D660,132 S * 5/2012 Yoder D8/354
D667,289 S * 9/2012 Preda D8/354
D672,287 S * 12/2012 Noble D12/159
D704,667 S * 5/2014 Sharpe D13/155
D732,708 S * 6/2015 Stauffer D25/133
D747,177 S * 1/2016 McGinty D8/349

* cited by examiner

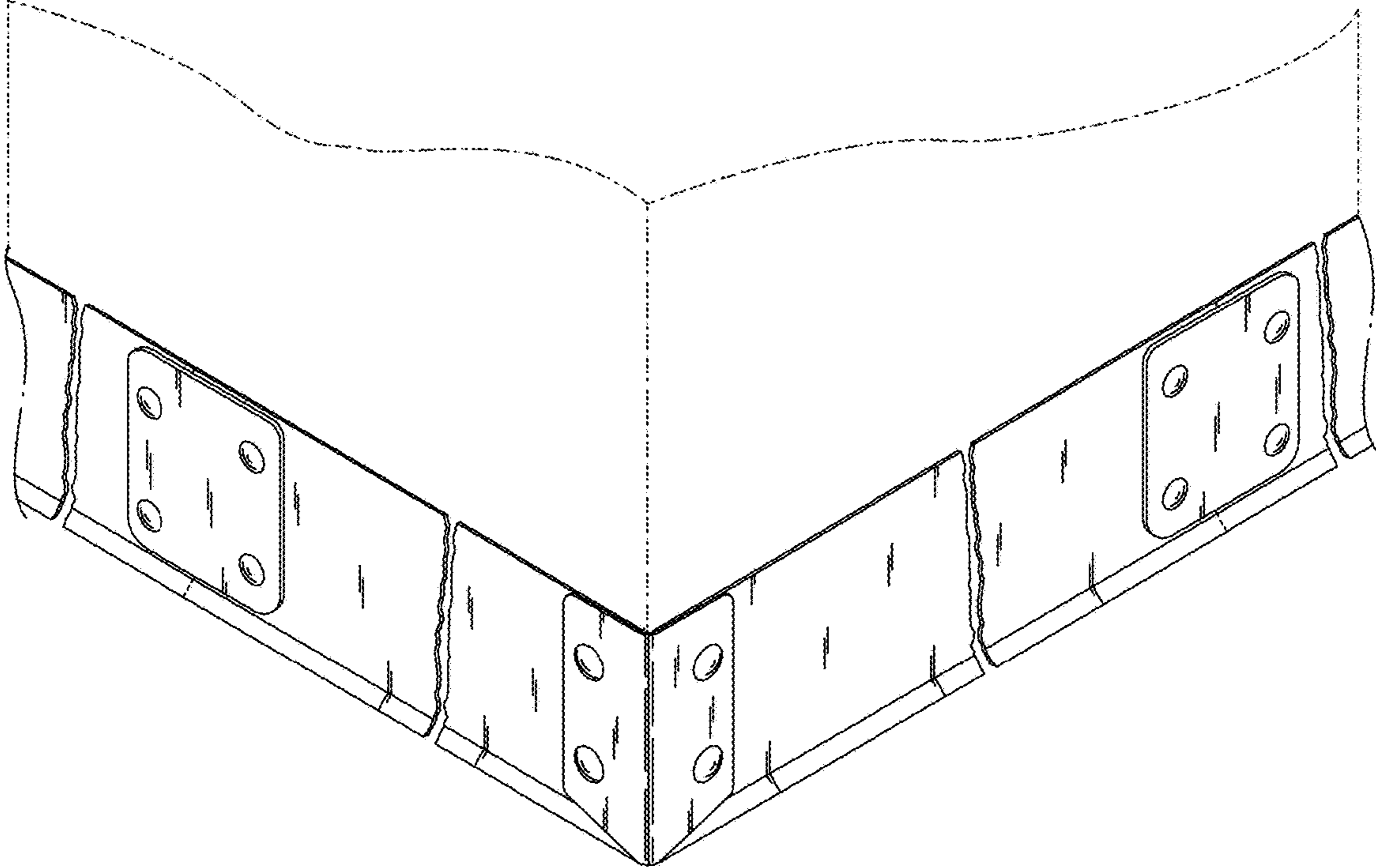


FIG. 1

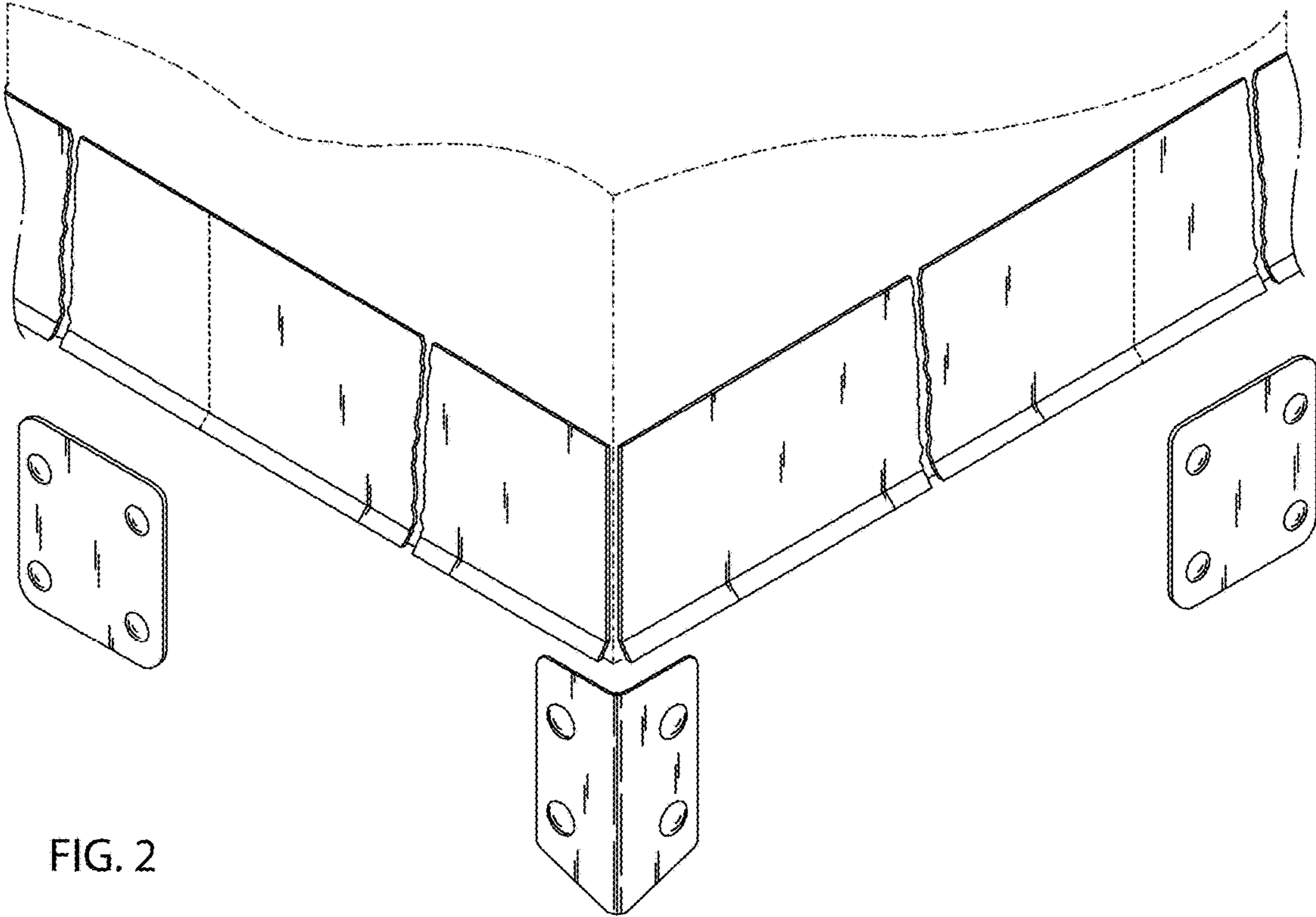


FIG. 2

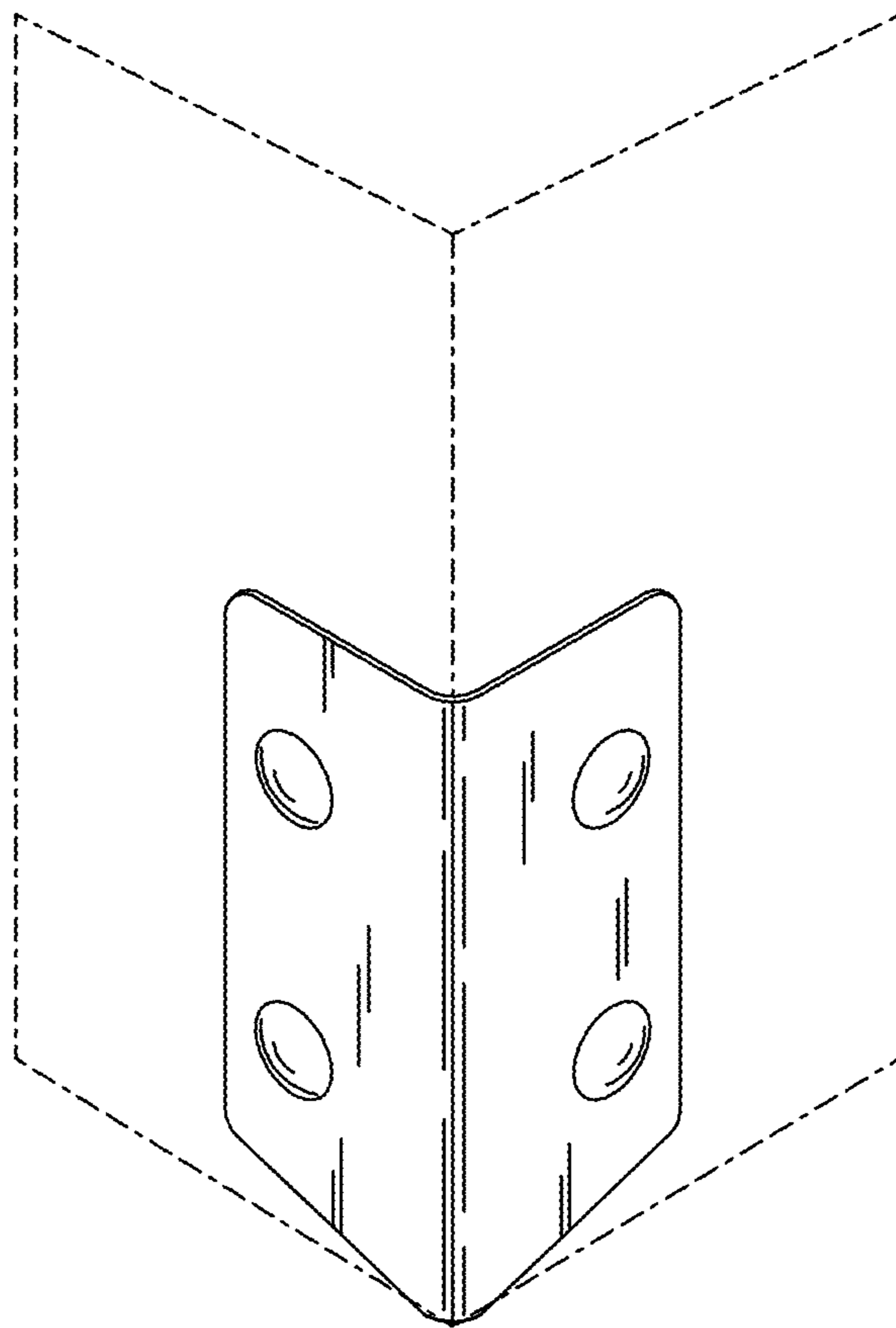


FIG. 3

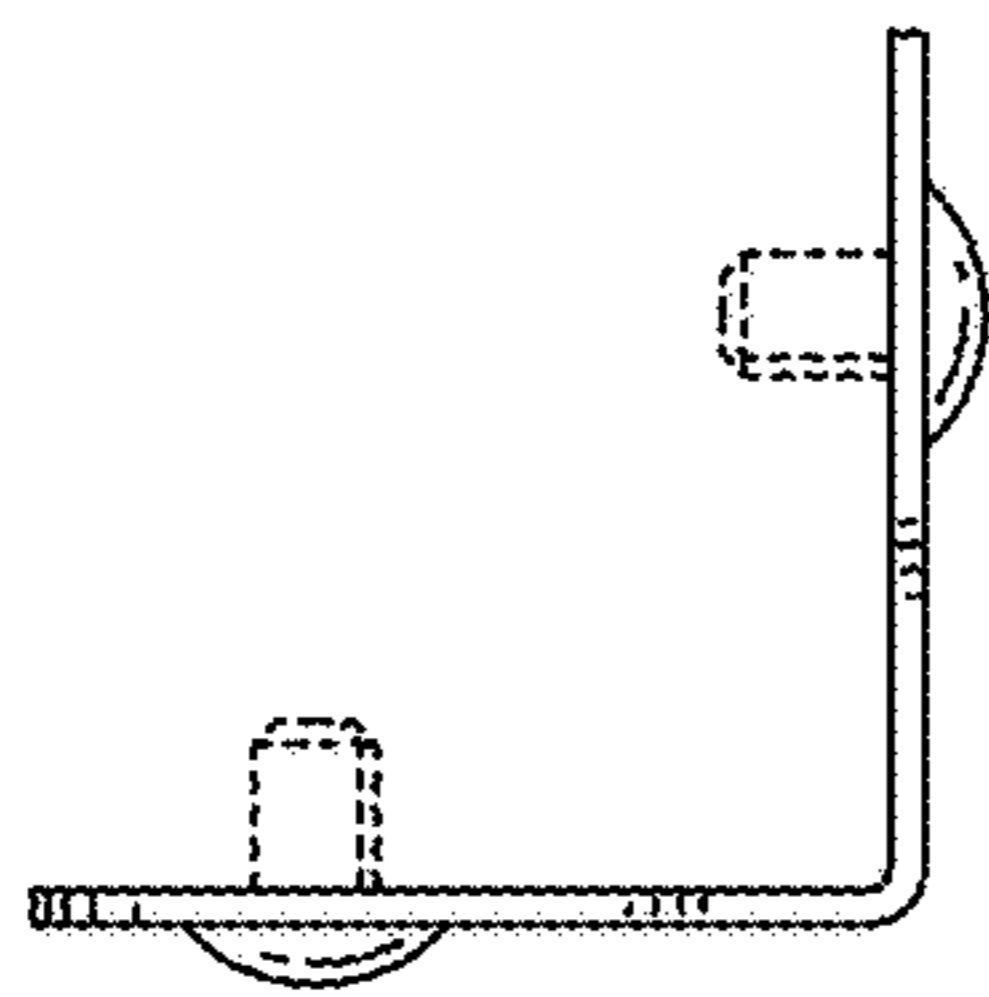


FIG. 4

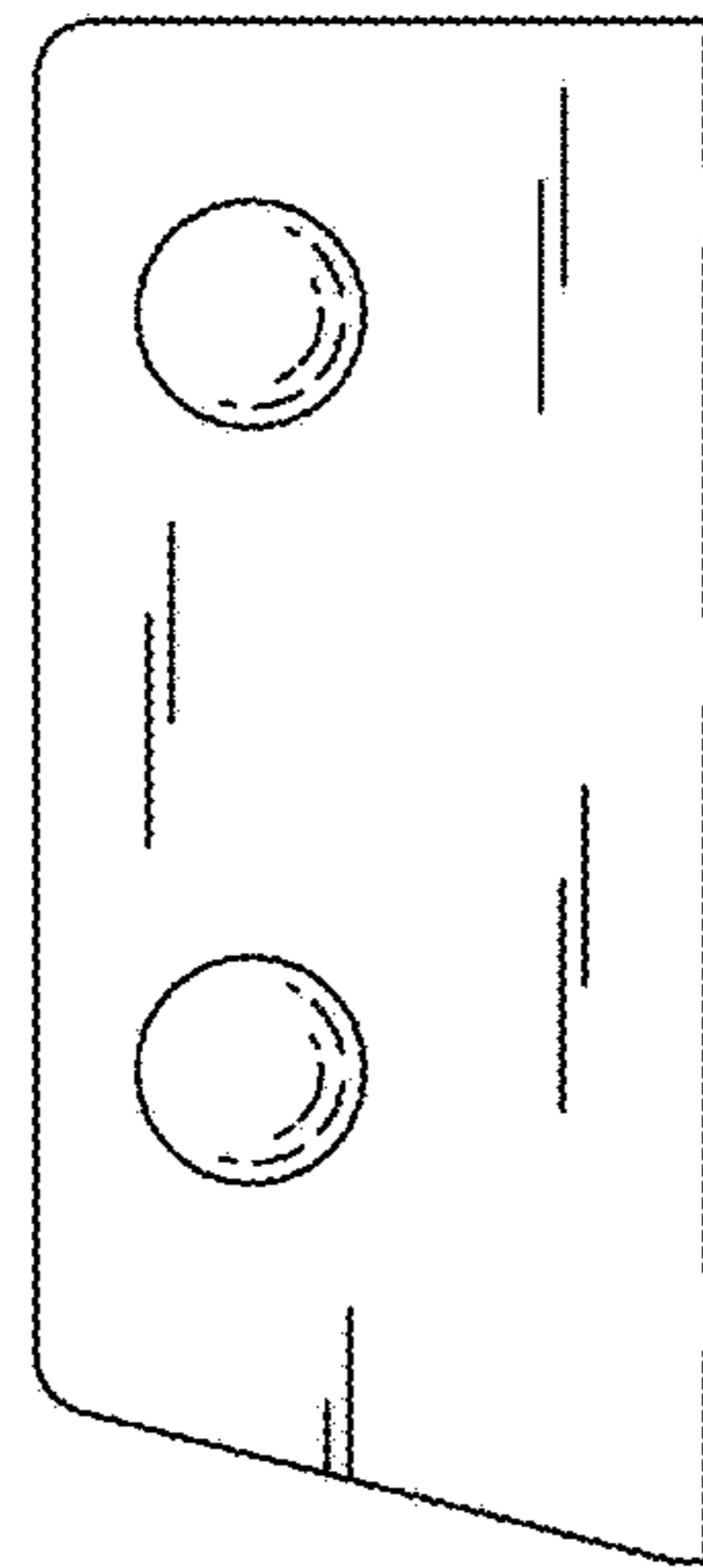


FIG. 5

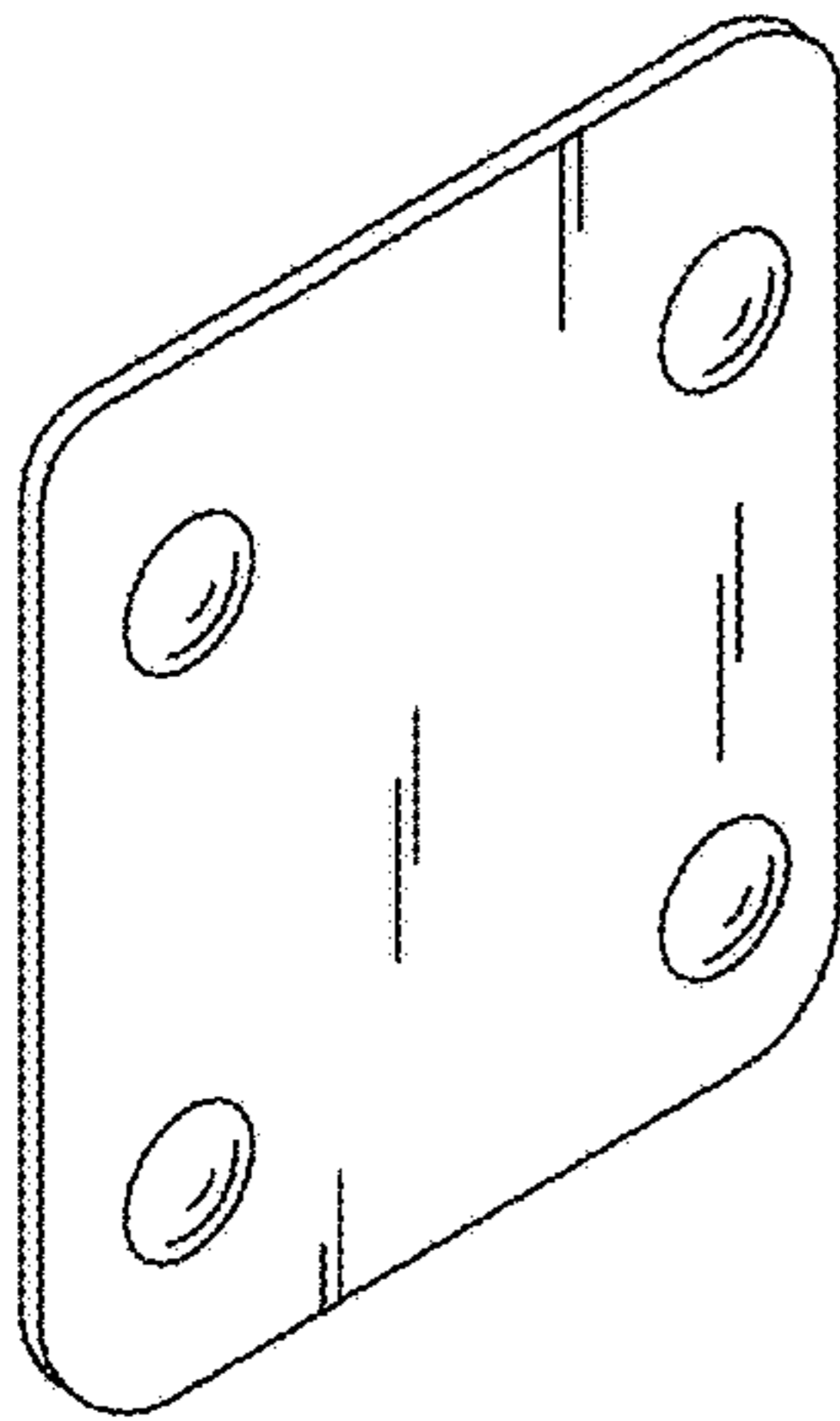


FIG. 6

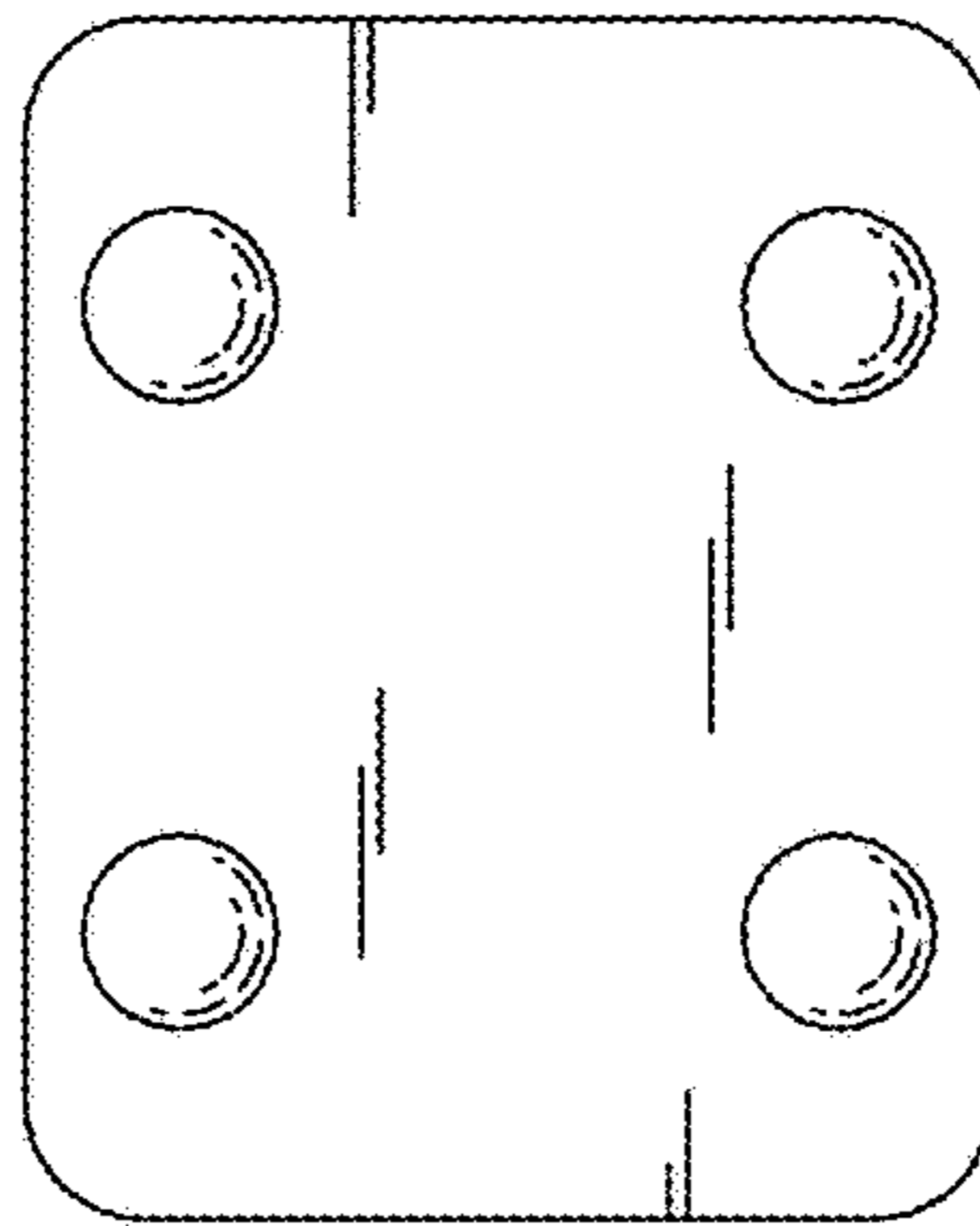


FIG. 7

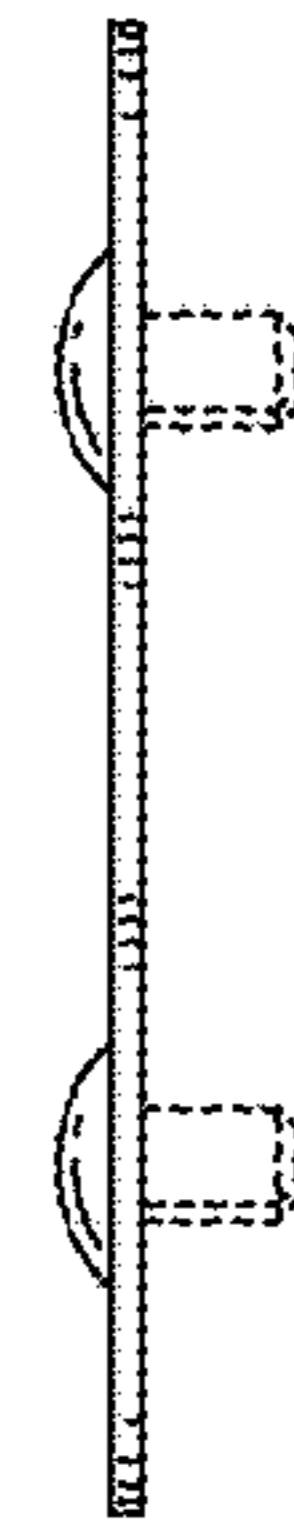


FIG. 9

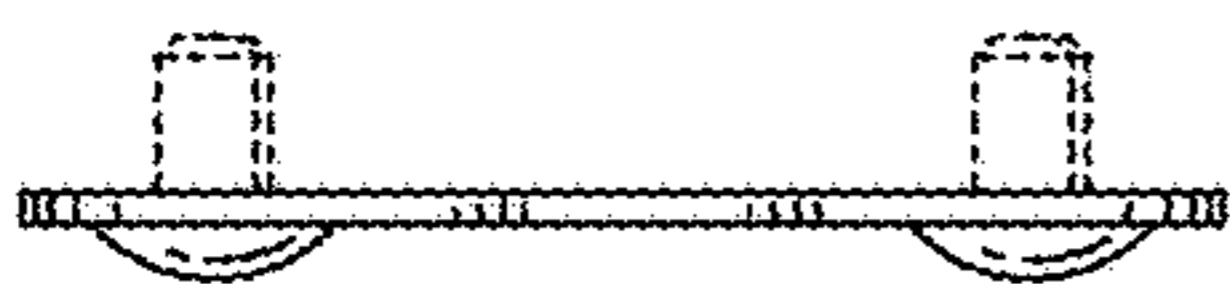


FIG. 8

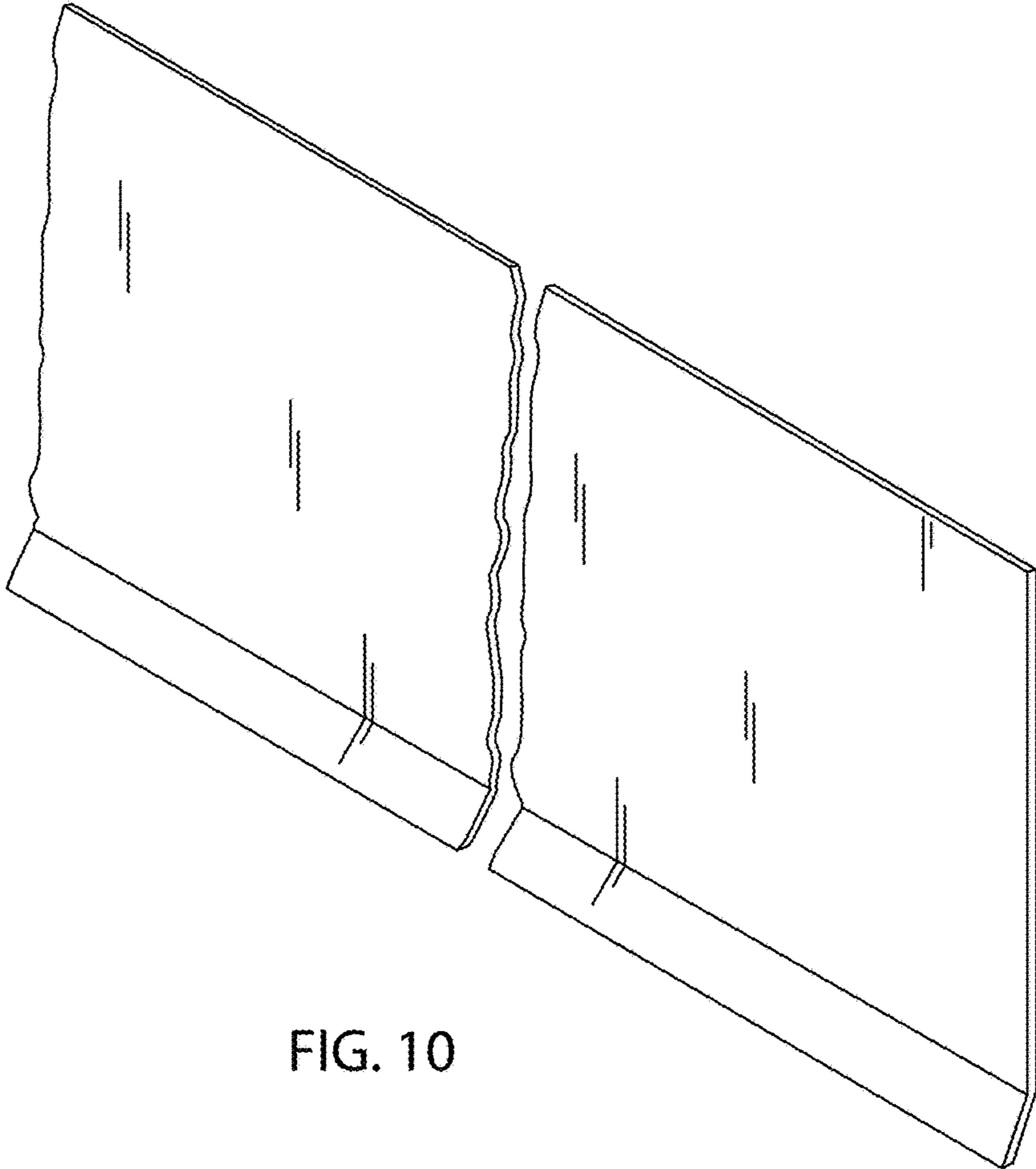


FIG. 10

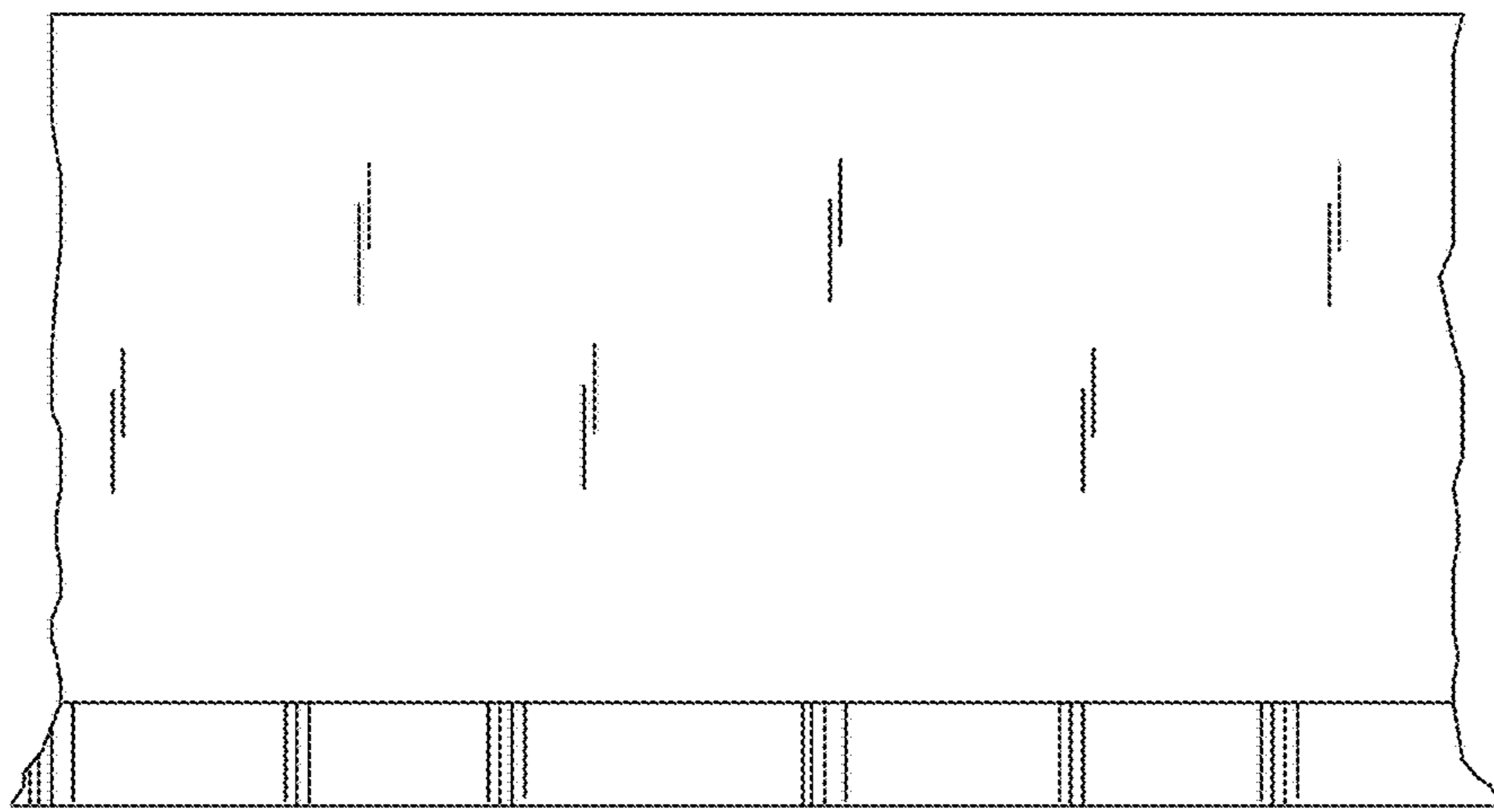


FIG. 11

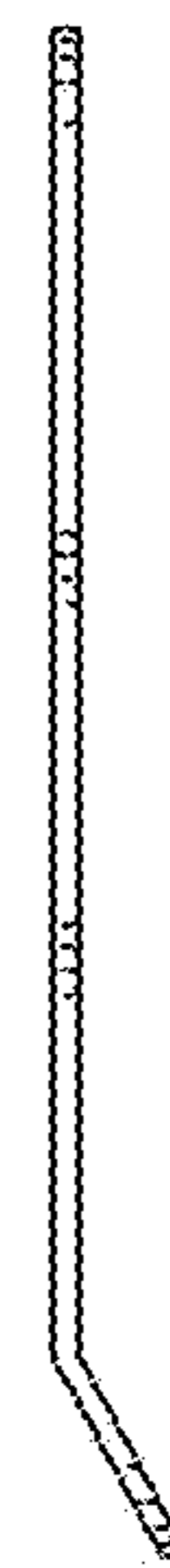


FIG. 12



FIG. 13