

US00D791977S

(12) **United States Design Patent** (10) **Patent No.:** **US D791,977 S**  
**Thomas** (45) **Date of Patent:** **\*\* Jul. 11, 2017**

(54) **POST**

(71) Applicant: **NZ Tube Mills Limited**, Lower Hutt (NZ)

(72) Inventor: **Malcolm Thomas**, Upper Hutt (NZ)

(73) Assignee: **NZ TUBE MILLS LIMITED** (NZ)

(\*\*) Term: **15 Years**

(21) Appl. No.: **29/562,699**

(22) Filed: **Apr. 28, 2016**

(30) **Foreign Application Priority Data**

Oct. 30, 2015 (NZ) ..... 420852

(51) **LOC (10) Cl.** ..... **25-01**

(52) **U.S. Cl.**  
USPC ..... **D25/127**

(58) **Field of Classification Search**  
USPC ..... D25/42, 43, 44, 45, 46, 58, 126-135;  
52/149, 345, 831, 832, 833, 834, 835  
CPC ... E04H 12/24; E04H 17/20; F21W 2131/109  
See application file for complete search history.

(56) **References Cited**

U.S. PATENT DOCUMENTS

D20,449 S \* 1/1891 Fletcher ..... D25/127  
3,270,480 A \* 9/1966 Beecker ..... E04H 12/08  
362/431

D219,343 S \* 12/1970 Rinaldi ..... D25/127  
D648,867 S \* 11/2011 Guzzini ..... D25/126  
D718,241 S \* 11/2014 Gretz ..... D13/139.5  
2015/0354245 A1 \* 12/2015 Mobile, Sr. .... E04H 17/14  
256/24

\* cited by examiner

*Primary Examiner* — Thomas Johannes

*Assistant Examiner* — Samantha Q Lawrence

(74) *Attorney, Agent, or Firm* — Miskin & Tsui-Yip LLP;  
Gloria Tsui-Yip

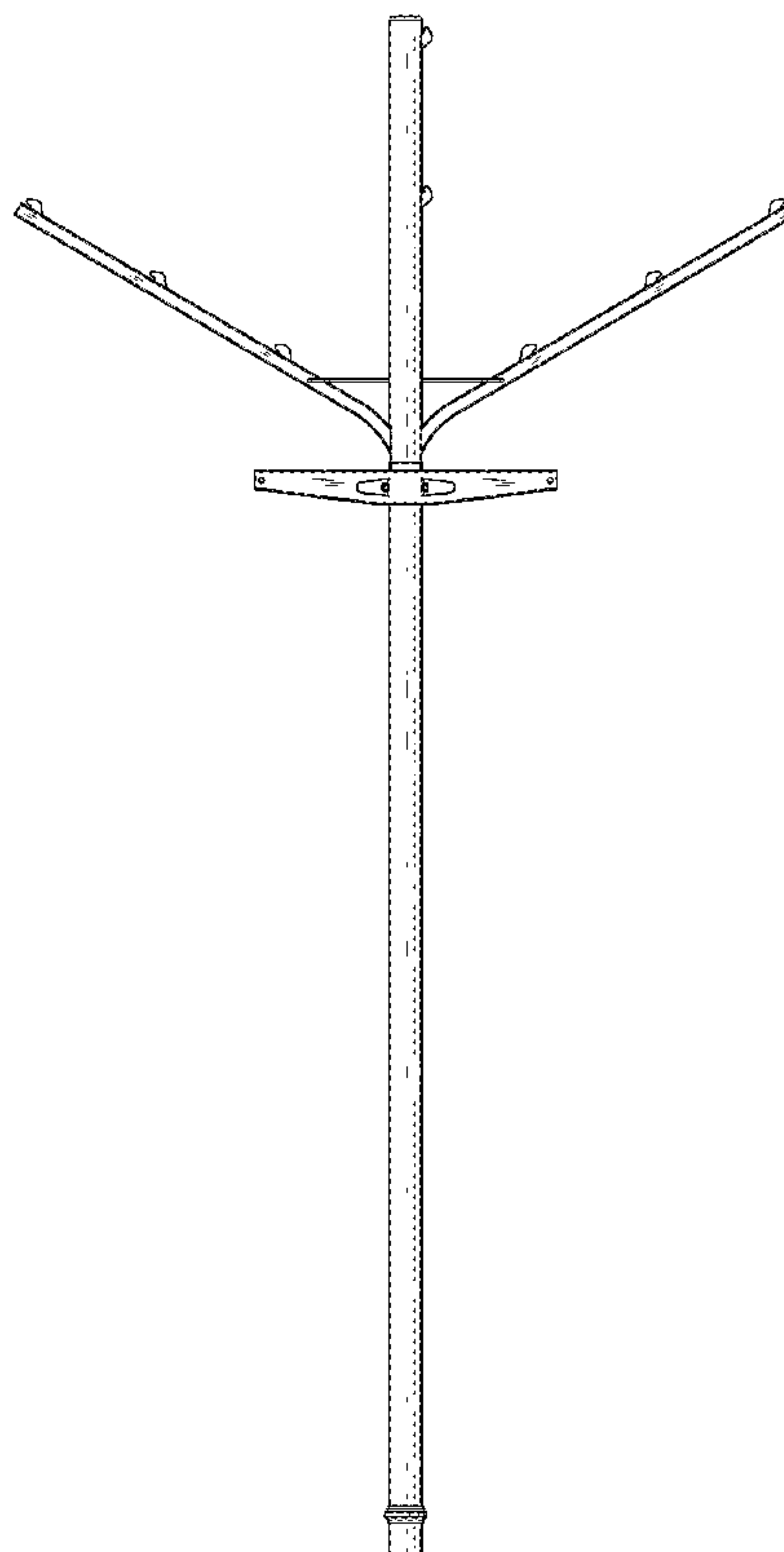
(57) **CLAIM**

The ornamental design for a post, as shown and described.

**DESCRIPTION**

FIG. 1 is a front elevational view of my new design;  
FIG. 2 is a rear elevational view thereof;  
FIG. 3 is a left side view thereof;  
FIG. 4 is a right side view thereof;  
FIG. 5 is a top plan view thereof;  
FIG. 6 is a bottom plan view thereof;  
FIG. 7 is a perspective view thereof; and,  
FIG. 8 is another perspective view thereof.  
FIG. 8 is an enlarged view of the top and bottom portions shown broken away, with the center portion removed, for clarify of detail. The removal of the center portion in FIG. 8 has no impact on the claimed design.  
The broken line areas in FIGS. 5 and 6 showing portions of the post that form no part of the claimed design.

**1 Claim, 6 Drawing Sheets**



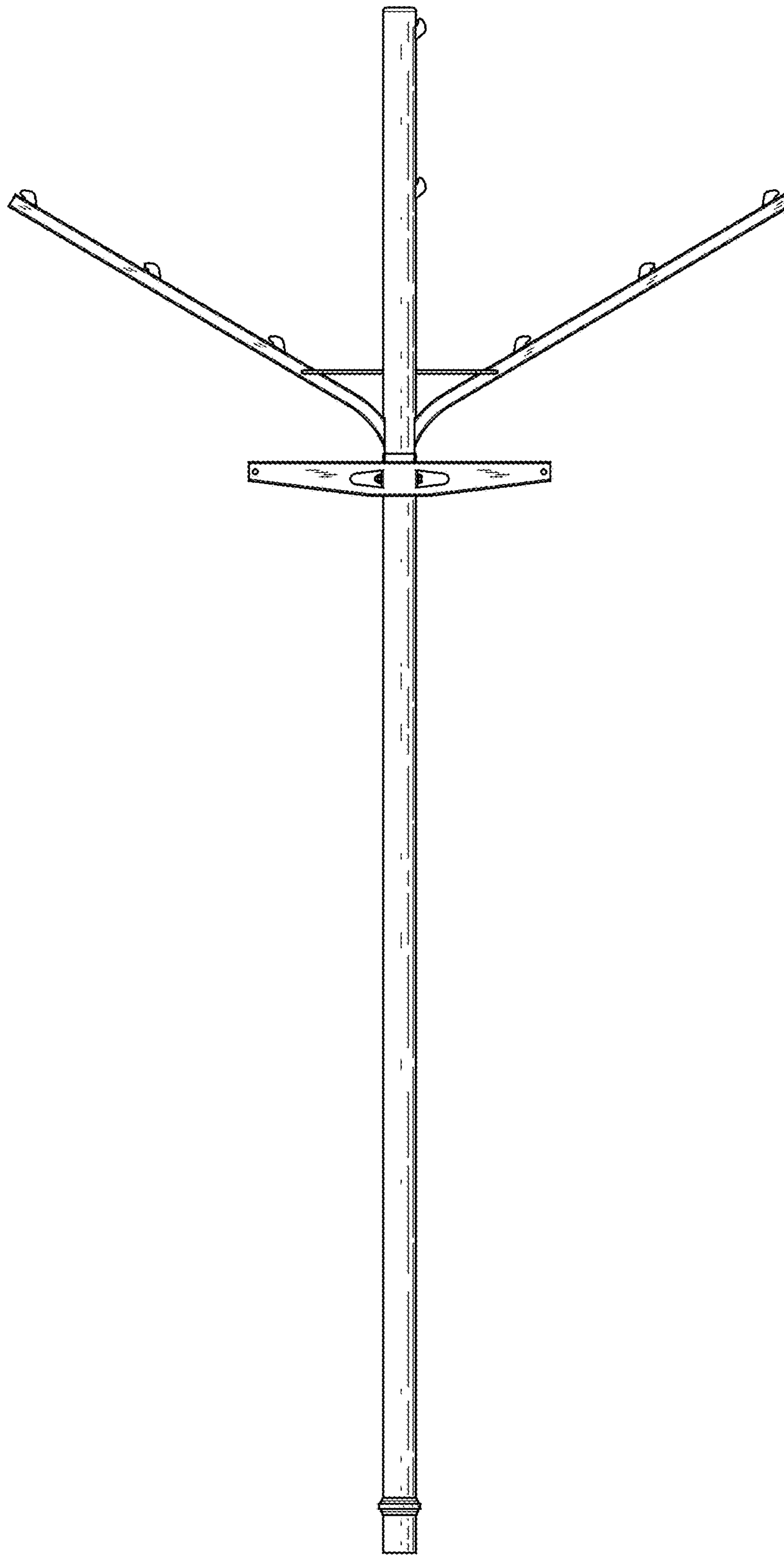


Fig.1

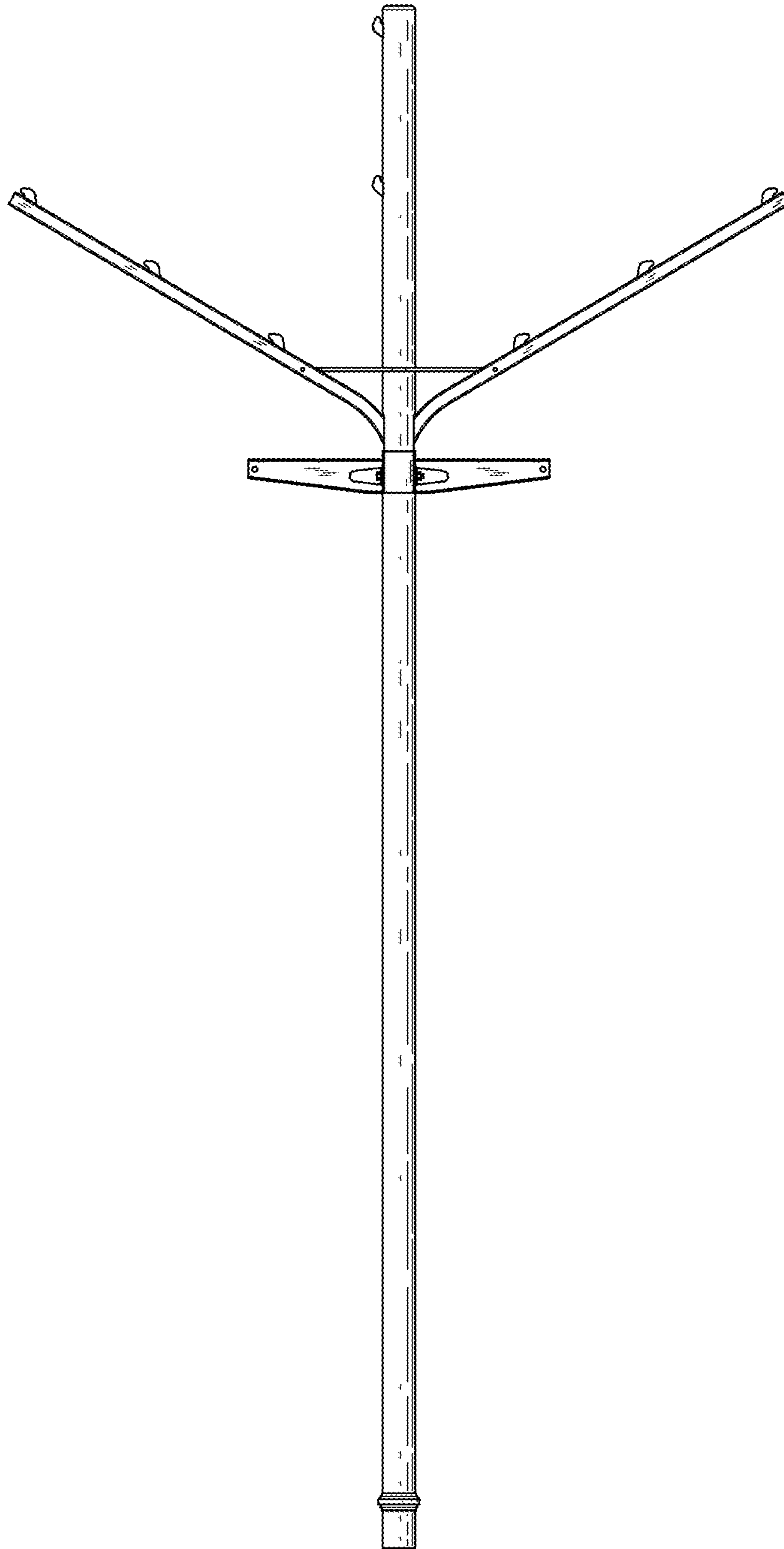


Fig.2

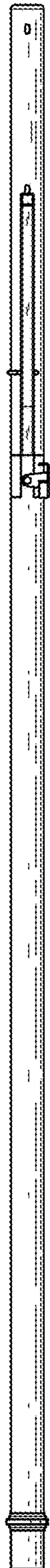


Fig.3



Fig.4



Fig.5



Fig.6

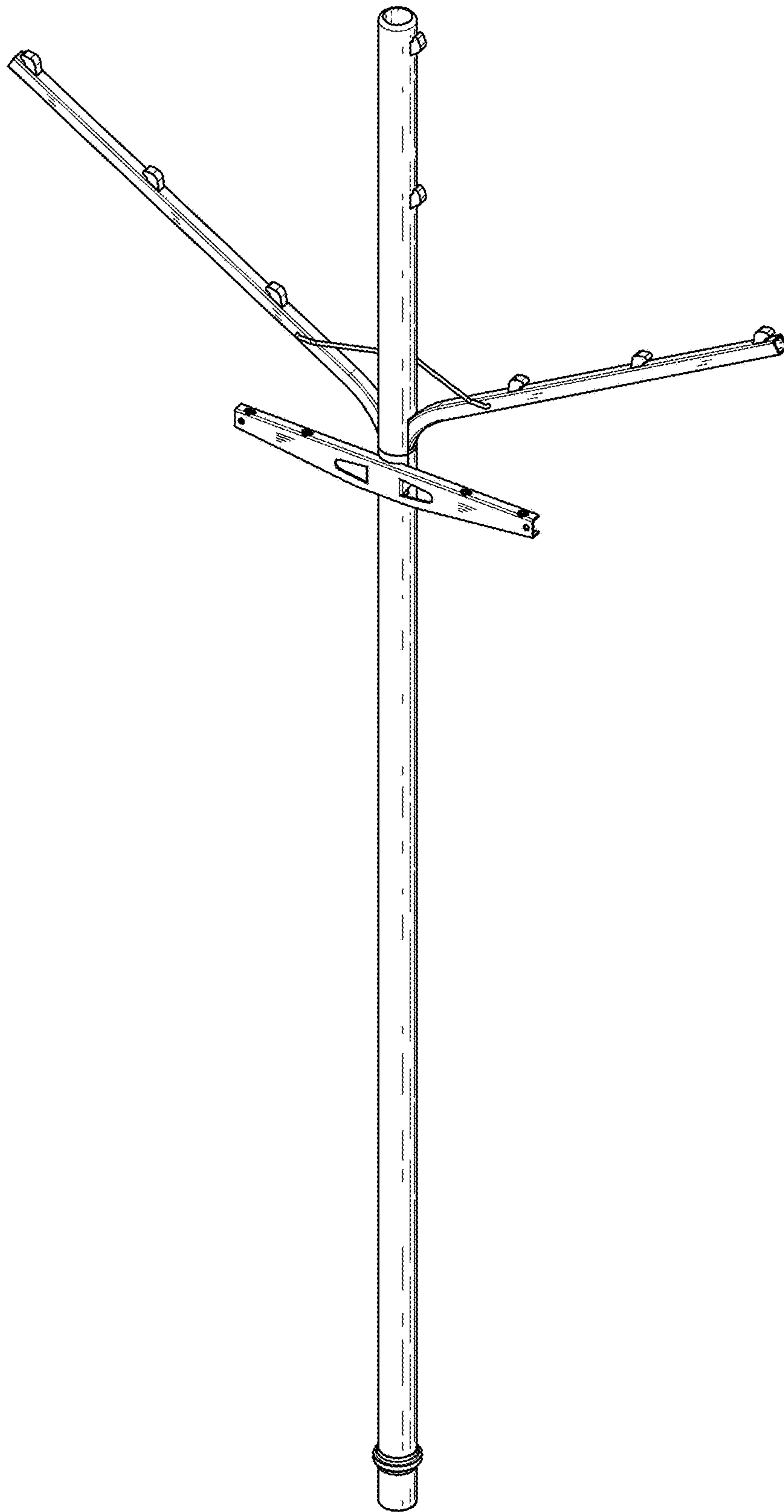


Fig.7

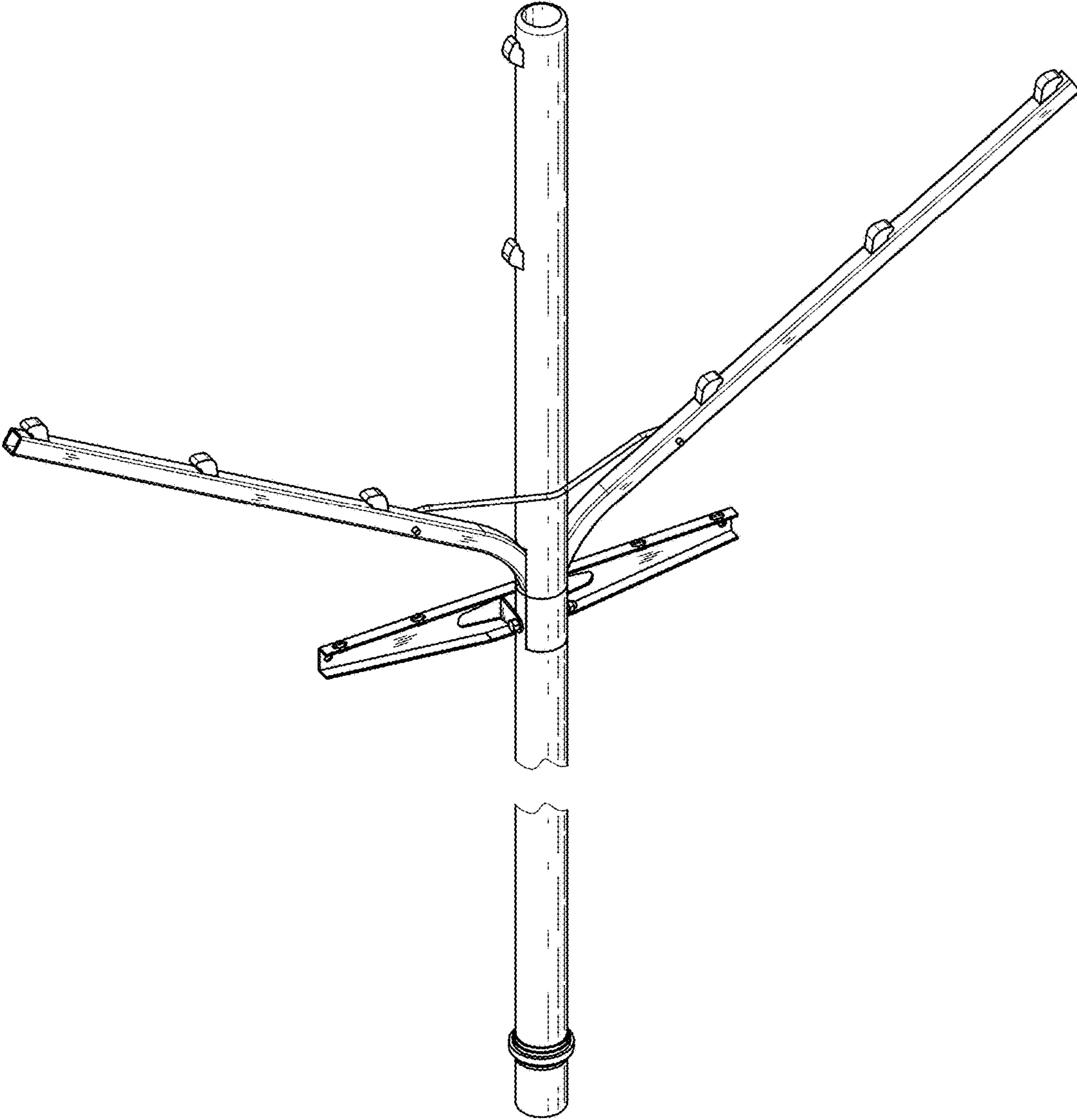


Fig.8