



US00D791976S

(12) **United States Design Patent**
Singh

(10) **Patent No.:** **US D791,976 S**
(45) **Date of Patent:** **** Jul. 11, 2017**

(54) **TRIM REVEAL EXTRUSION**
(71) Applicant: **Joshua George Singh**, Calgary (CA)
(72) Inventor: **Joshua George Singh**, Calgary (CA)
(**) Term: **15 Years**
(21) Appl. No.: **29/547,615**
(22) Filed: **Dec. 4, 2015**
(51) **LOC (10) Cl.** **25-01**
(52) **U.S. Cl.**
USPC **D25/119**
(58) **Field of Classification Search**
USPC D25/35, 38.1, 41.1, 42, 43, 44, 47.1,
D25/48.1, 48.4, 58, 119-123, 125, 136,
D25/137, 164, 199; 52/62, 169.5, 254,
52/255, 281, 282.1, 287.1, 288.1, 371,
52/459, 461, 465, 471, 472, 716.2, 706,
52/717.01; 160/368.1, 395; D8/349,
D8/354, 355, 366, 373, 377, 380, 381,
D8/403; D20/10, 43, 44
CPC E04F 2013/063; E04F 13/00; E04F 13/06;
E04F 15/142; E04F 19/02; E04F 19/04;
E04F 19/0436; E04F 19/0495; E04F
19/061; B60R 13/04; B60R 13/0206;
B60R 13/02; A47B 95/00; A47B 96/04;
A47B 96/06; A47B 96/201; E04C 2/08;
A47F 5/005

See application file for complete search history.

(56) **References Cited**

U.S. PATENT DOCUMENTS

3,485,001 A * 12/1969 Miller E04F 19/06
52/281
D221,530 S * 8/1971 Kimmel D25/121
D246,887 S * 1/1978 Eckerline D25/123
5,960,598 A * 10/1999 Tamlyn E04F 13/0864
52/254

6,018,924 A * 2/2000 Tamlyn E04F 19/02
52/287.1
6,341,458 B1 * 1/2002 Burt E04F 19/061
52/287.1
D606,671 S * 12/2009 Southwell D25/122
D606,672 S * 12/2009 Southwell D25/122
D607,584 S * 1/2010 Ito D25/121
D614,779 S * 4/2010 Ito D25/121
D616,113 S * 5/2010 Budzik D25/121
D624,209 S * 9/2010 Antonic D25/121
D629,921 S * 12/2010 Southwell D25/121
D695,423 S * 12/2013 Krieger E04B 2/30
D25/121
D711,552 S * 8/2014 Singh D25/119
D711,553 S * 8/2014 Singh D25/119
D742,544 S * 11/2015 Singh D25/119
D742,545 S * 11/2015 Singh D25/119
D750,279 S * 2/2016 Singh D25/138
D750,807 S * 3/2016 Singh D25/121
2012/0255249 A1 * 10/2012 Singh E04F 19/065
52/302.1

* cited by examiner

Primary Examiner — Cynthia Ramirez
Assistant Examiner — Llorellys Martinez-Rivera
(74) *Attorney, Agent, or Firm* — Tai W. Nahm; Miller
Thomson LLP

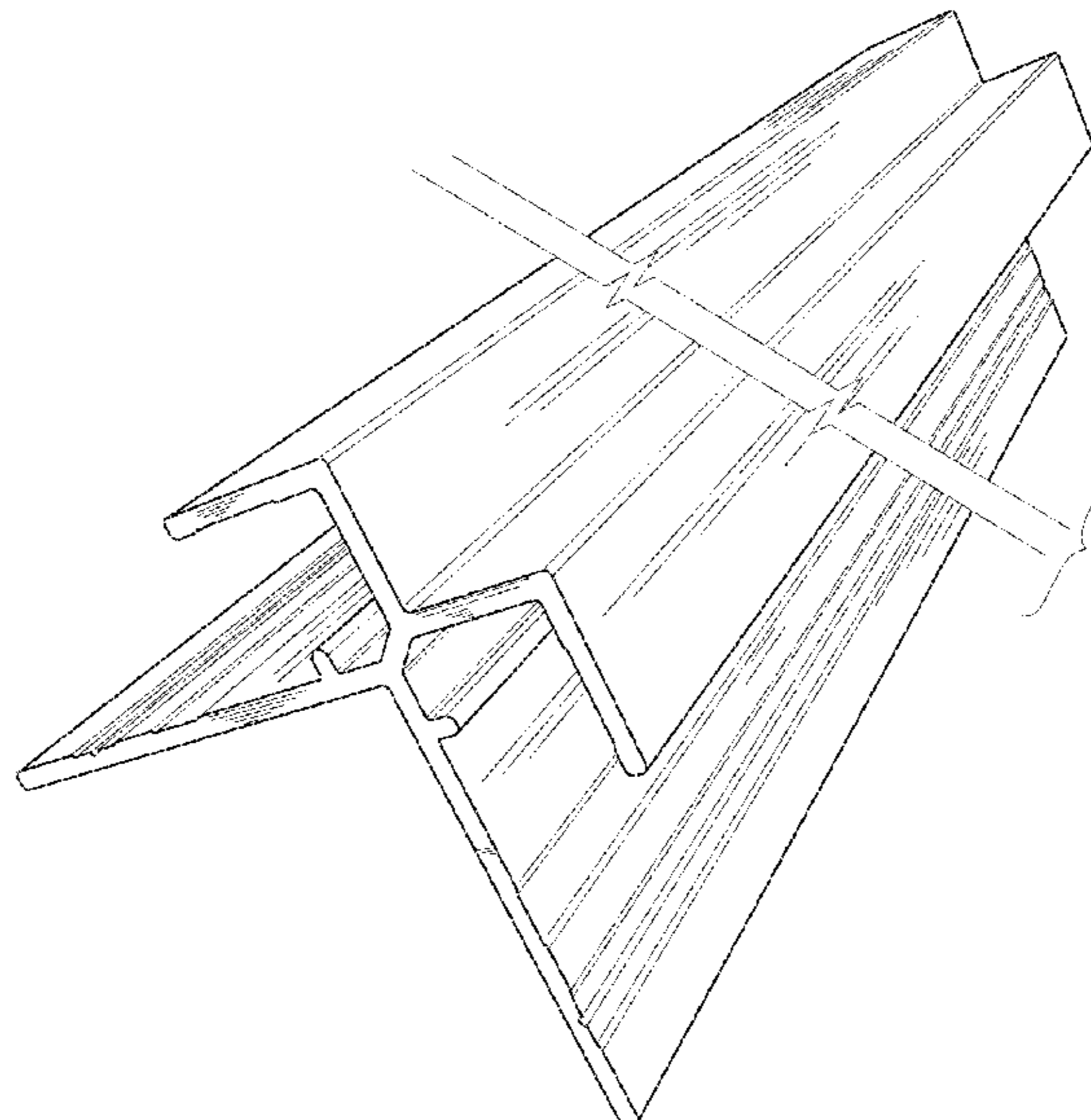
(57) **CLAIM**

The ornamental design for a trim reveal extrusion, as shown
and described.

DESCRIPTION

FIG. 1 is a perspective view of a trim reveal extrusion
showing my new design; and,
FIG. 2 is a cross-sectional view thereof.
The trim reveal extrusion is shown with a symbolic break in
its length. The appearance of any portion of the trim reveal
extrusion between the jagged break lines form no part of the
claimed design.

1 Claim, 1 Drawing Sheet



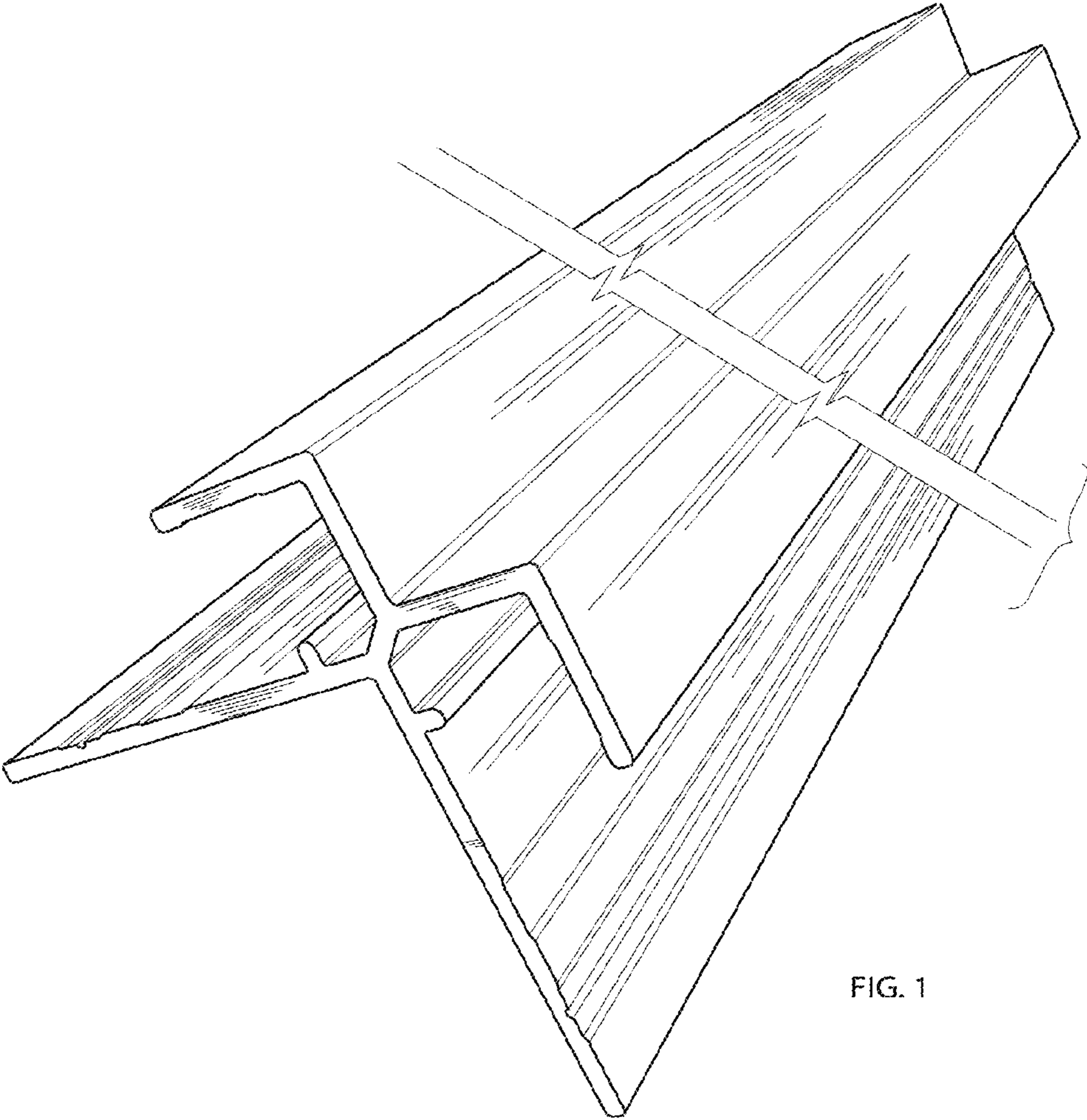


FIG. 1

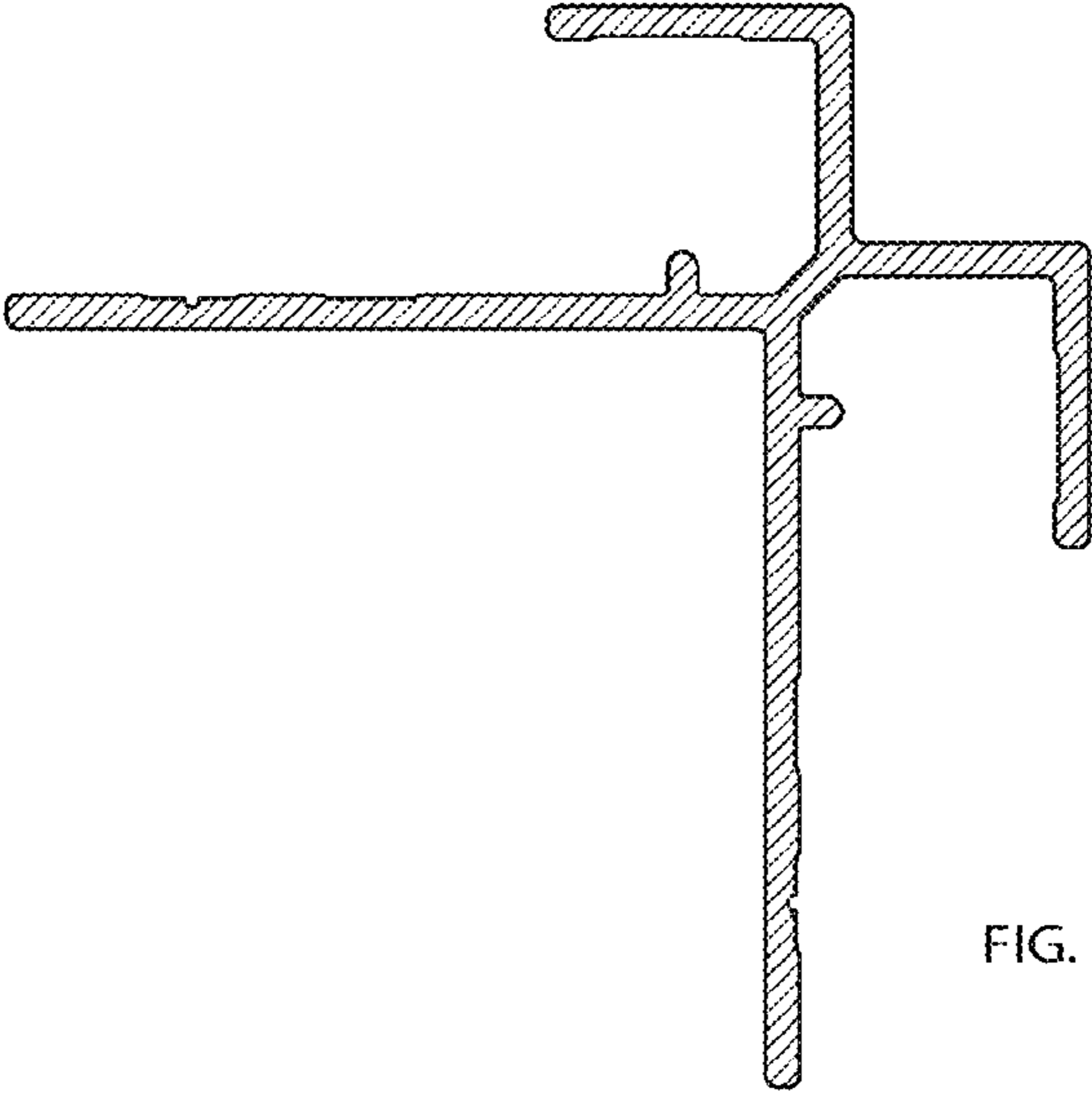


FIG. 2