



US00D791973S

(12) **United States Design Patent**  
**Tisherman et al.**

(10) **Patent No.:** **US D791,973 S**  
(45) **Date of Patent:** **\*\* Jul. 11, 2017**

- (54) **POOL COPING EDGE**
- (71) Applicants: **David Tisherman**, Fullerton, CA (US);  
**Michael Taylor**, Harbor City, CA (US)
- (72) Inventors: **David Tisherman**, Fullerton, CA (US);  
**Michael Taylor**, Harbor City, CA (US)
- (73) Assignee: **Carl Steadly**, Honolulu, HI (US)
- (\*\*) Term: **15 Years**
- (21) Appl. No.: **29/558,337**
- (22) Filed: **Mar. 16, 2016**
- (51) **LOC (10) Cl.** ..... **25-01**
- (52) **U.S. Cl.**  
USPC ..... **D25/113**
- (58) **Field of Classification Search**  
USPC ..... D25/2, 102, 113, 136, 137, 164, 199;  
D21/484-486, 492, 494; 52/102, 574,  
52/575, 600, 601, 604, 605, 610, 611,  
52/716.1, 716.2; 404/27-42; 4/496,  
4/506-507, 510-511; D8/403  
CPC ..... E04H 4/00; E04H 4/0075; E04H 4/141;  
E04H 4/142  
See application file for complete search history.

- D373,962 S \* 9/1996 Nagai ..... D25/119
- D373,963 S \* 9/1996 Nagai ..... D25/119
- D403,080 S \* 12/1998 Mignone, Jr. .... D25/2
- D419,692 S \* 1/2000 Ancel ..... D25/119
- D547,465 S \* 7/2007 Mann ..... D25/164
- D654,191 S \* 2/2012 Wink ..... D25/119
- D655,825 S \* 3/2012 Fleites ..... D25/113
- D661,817 S \* 6/2012 Fournier ..... D25/102
- D735,365 S \* 7/2015 Miller ..... D25/164
- D756,536 S \* 5/2016 Seuberling ..... D25/102

\* cited by examiner

*Primary Examiner* — Cynthia Ramirez  
*Assistant Examiner* — Llorellys Martinez-Rivera  
(74) *Attorney, Agent, or Firm* — Irving Keschner

(56) **References Cited**  
U.S. PATENT DOCUMENTS

- D90,815 S \* 10/1933 Nerneyl ..... D25/136
- D236,026 S \* 7/1975 McCracken ..... D25/199

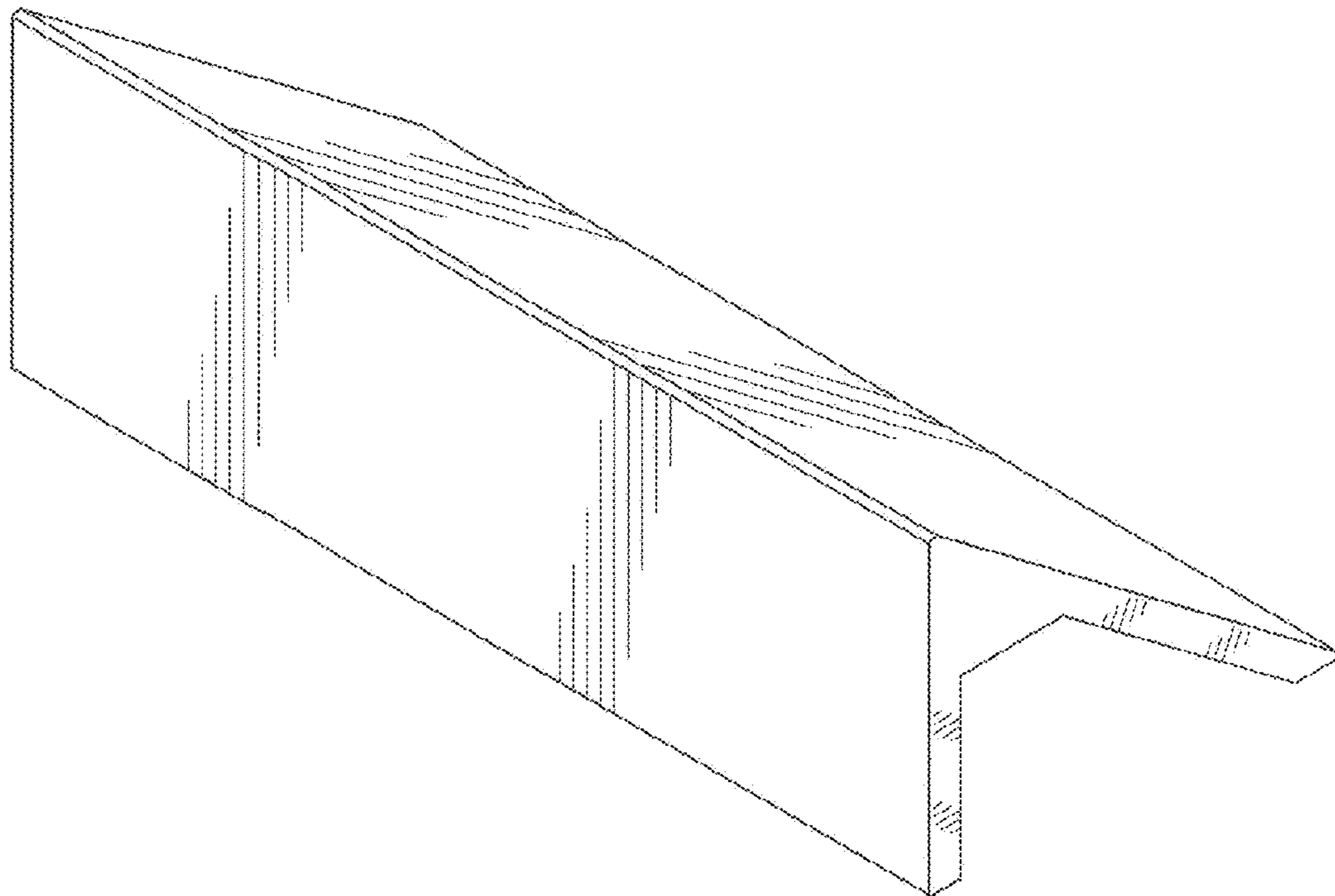
(57) **CLAIM**

The ornamental design for a pool coping edge, as shown.

**DESCRIPTION**

FIG. 1 is a left perspective view of a pool coping edge showing our new design;  
FIG. 2 is a right perspective view thereof;  
FIG. 3 is a side elevation view thereof the opposite side.  
FIG. 4 is another side elevation view thereof; and,  
FIG. 5 is a top plan view thereof.

**1 Claim, 5 Drawing Sheets**



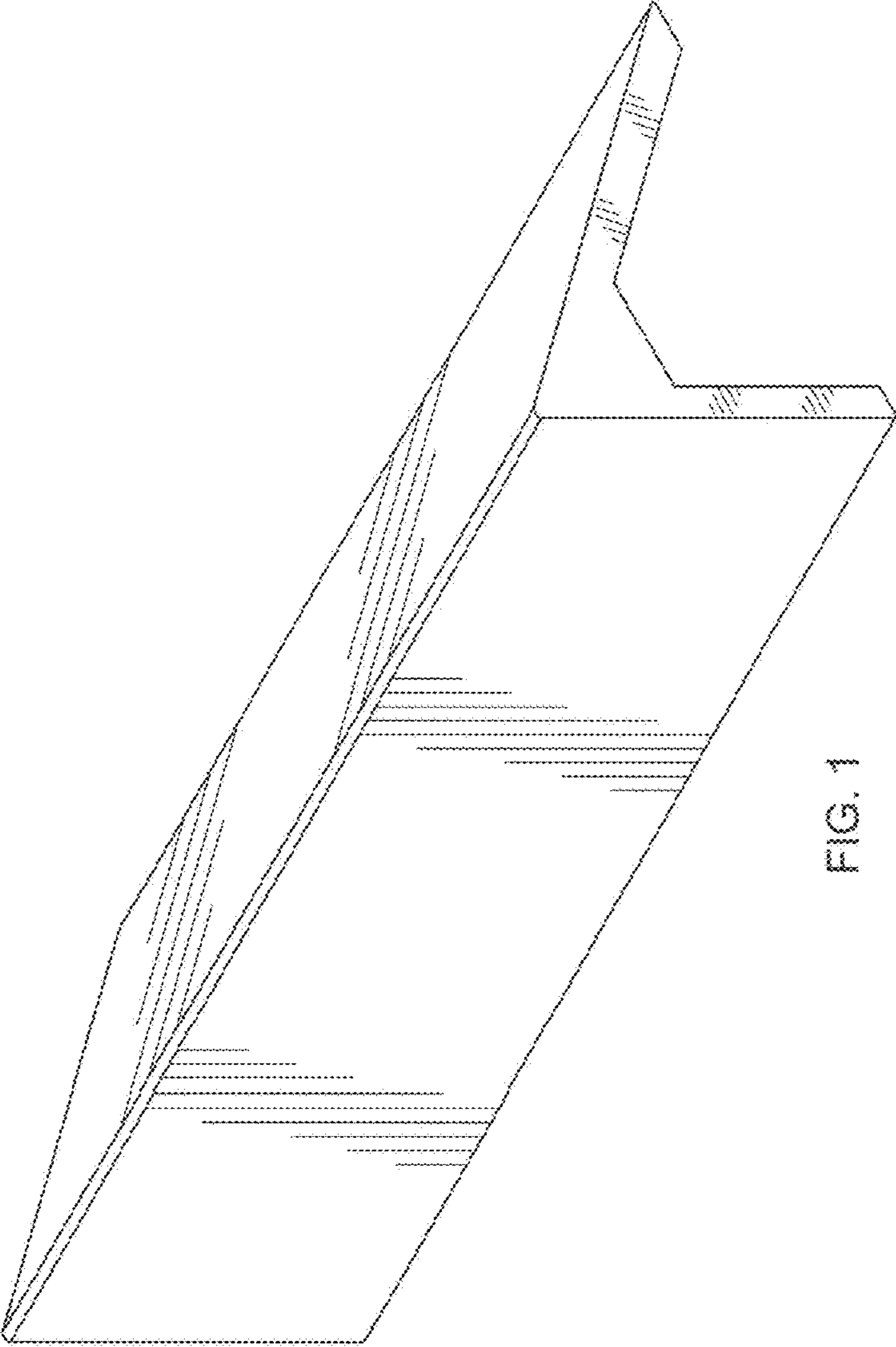
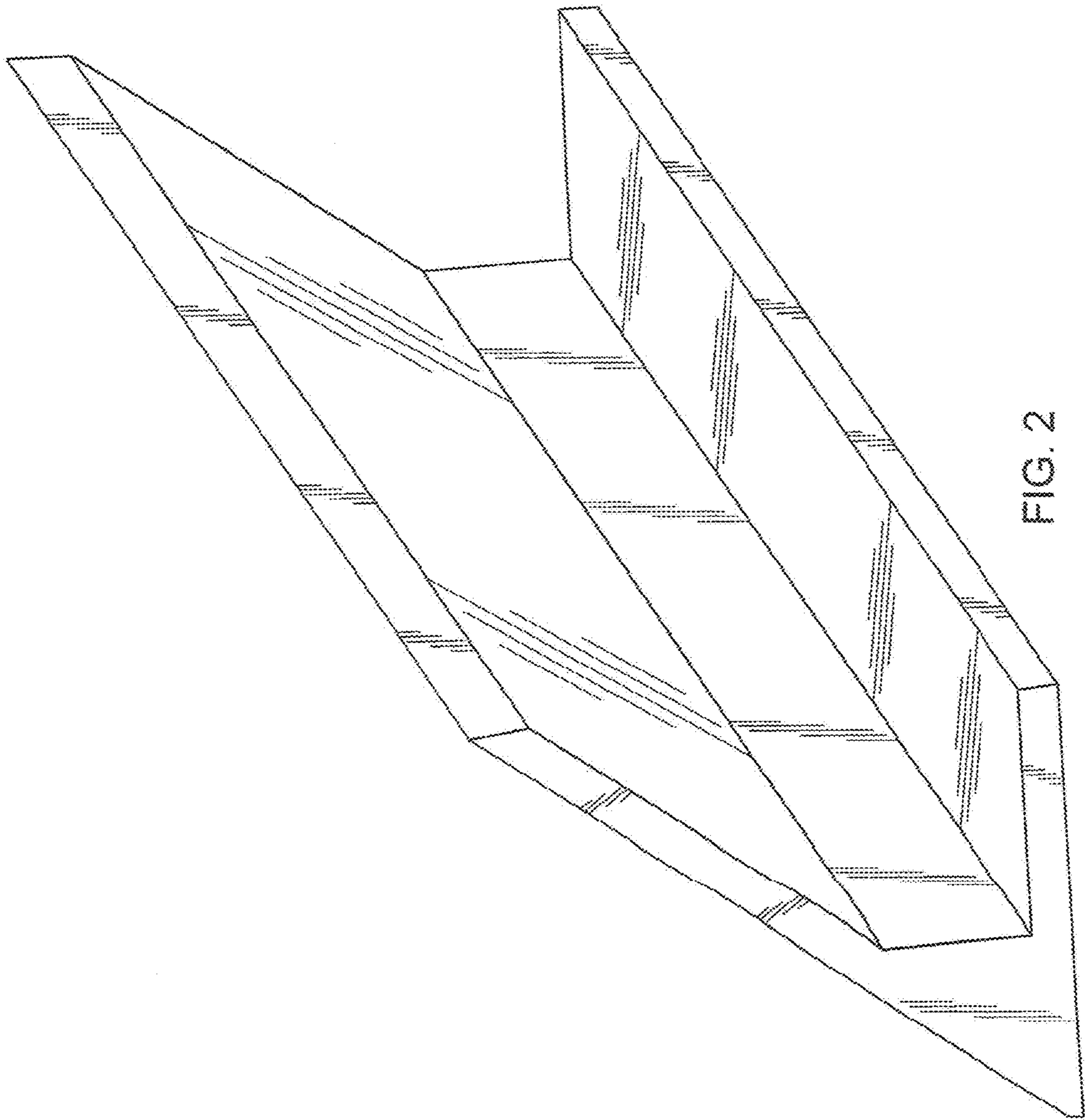


FIG. 1



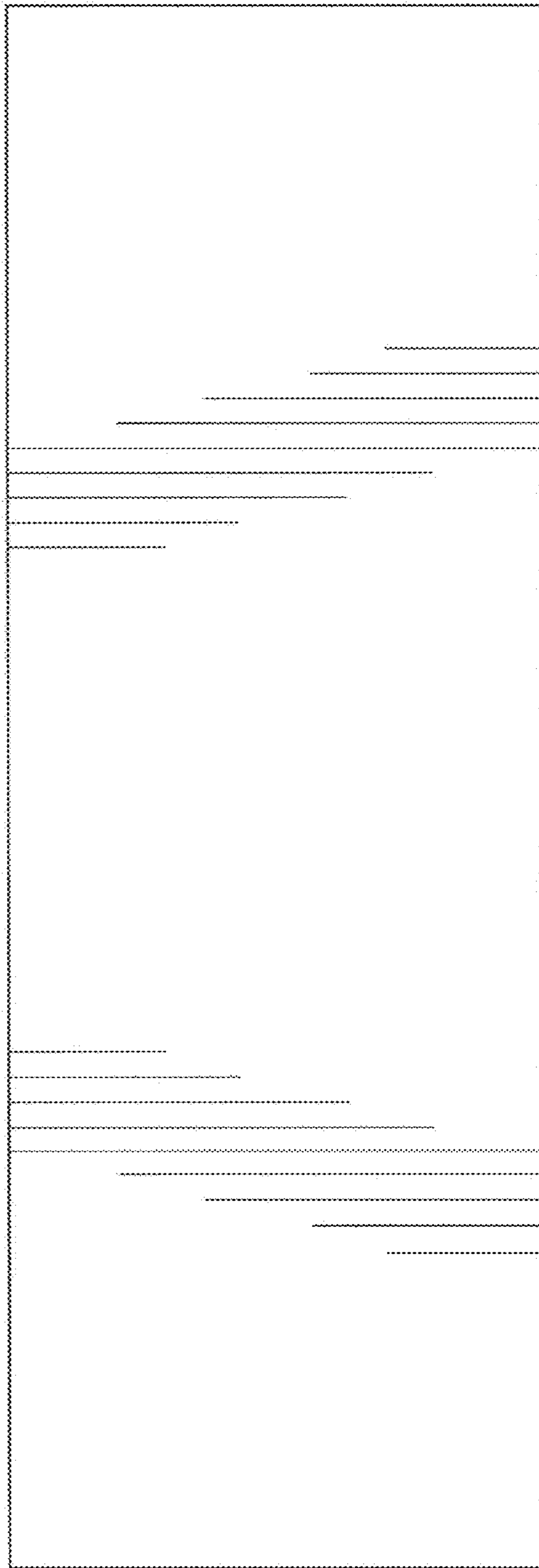


FIG. 3

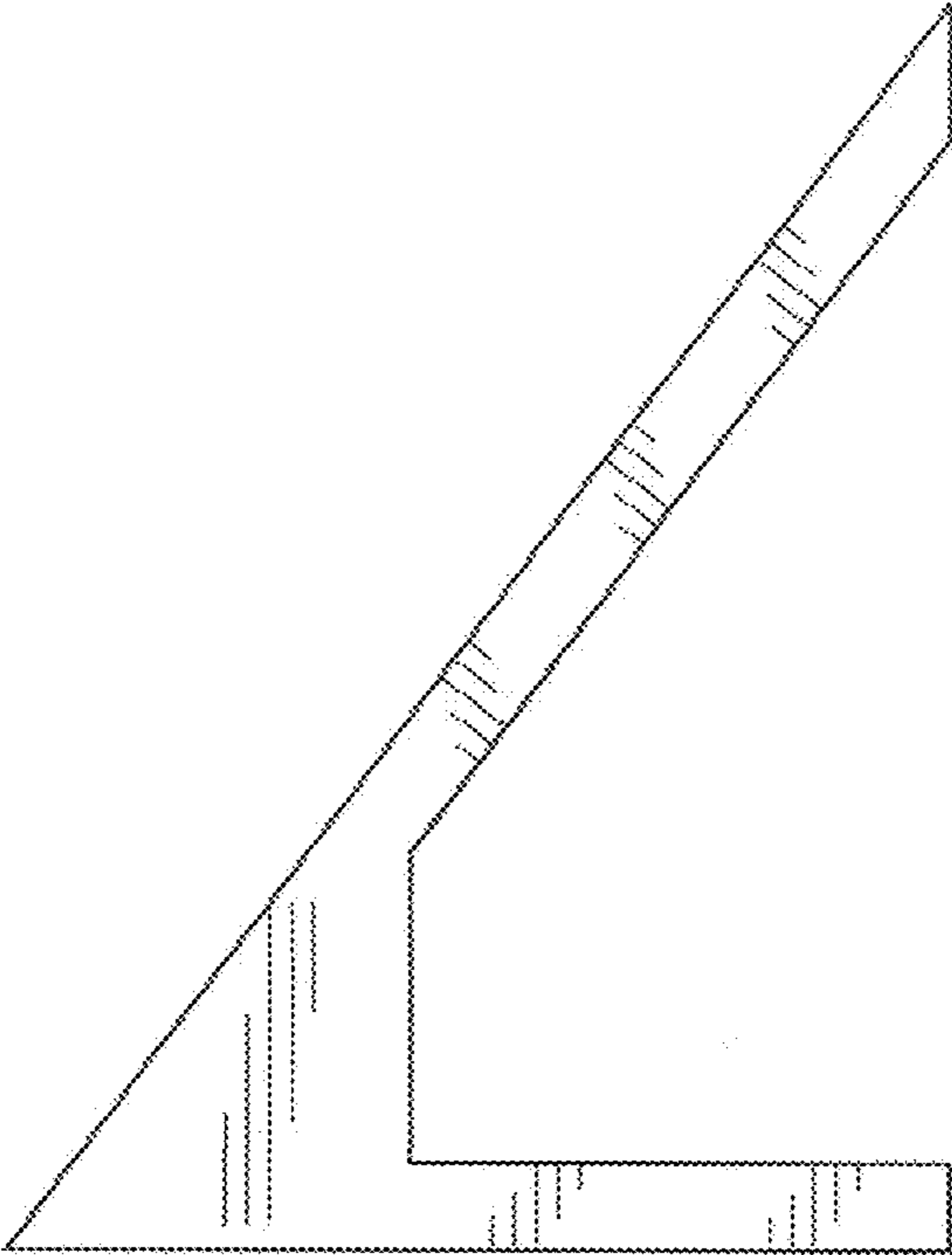


FIG. 4

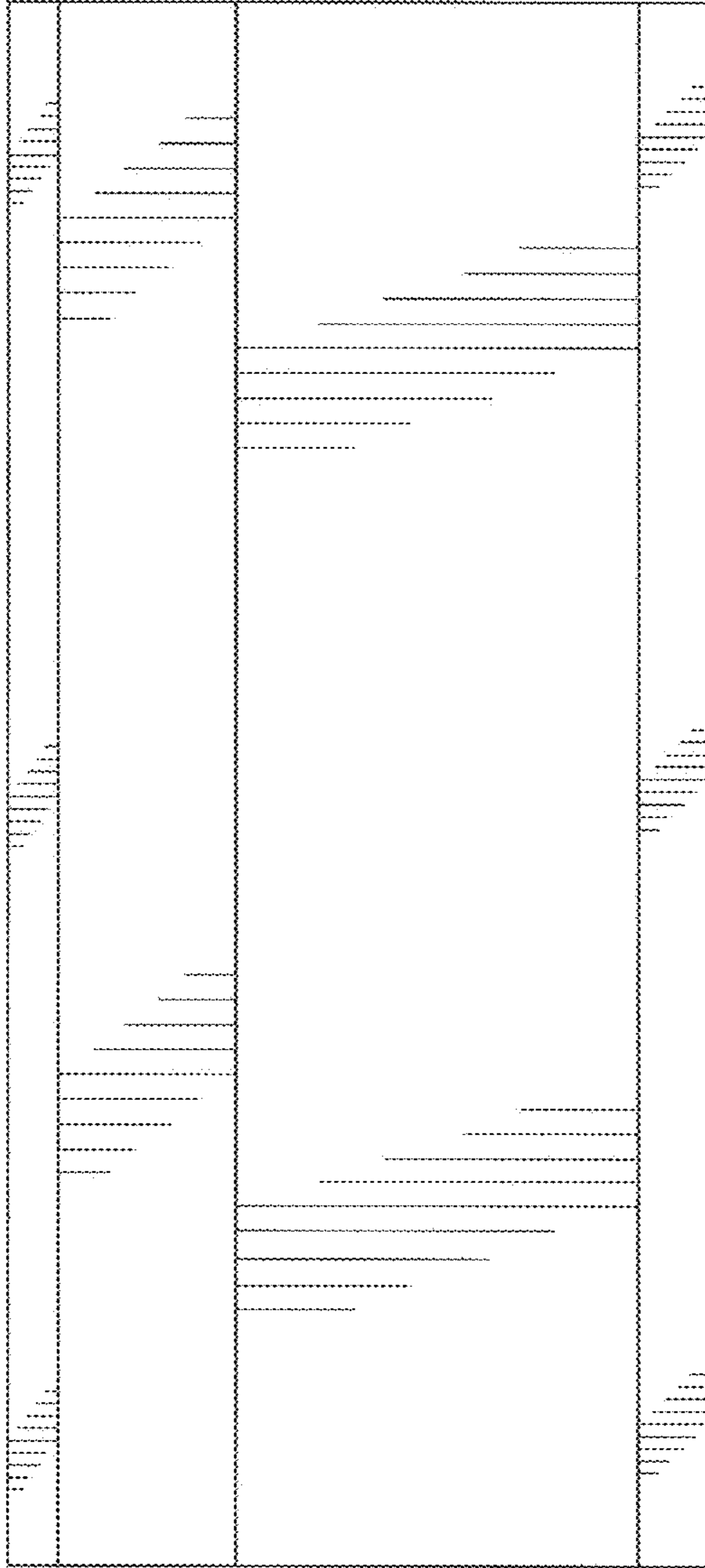


FIG. 5