



US00D791972S

(12) **United States Design Patent** (10) **Patent No.:** **US D791,972 S**
Goodnow et al. (45) **Date of Patent:** **** Jul. 11, 2017**

(54) **STEP ADAPTER FOR RUNG LADDERS**

(71) Applicant: **WILLOW STEP, INC.**, Huntingdon Valley, PA (US)

(72) Inventors: **Dennis J. Goodnow**, Pennellville, NY (US); **John C. Godfrey**, Huntingdon Valley, PA (US)

(73) Assignee: **Willow Step, Inc.**, Huntingdon Valley, PA (US)

(**) Term: **15 Years**

(21) Appl. No.: **29/566,013**

(22) Filed: **May 26, 2016**

(51) **LOC (10) Cl.** **25-04**

(52) **U.S. Cl.**
USPC **D25/68**

(58) **Field of Classification Search**
USPC D25/62, 63, 64, 65, 66, 67, 68, 69;
182/162, 112, 113, 215, 220, 120, 106,
182/23, 26, 115, 129, 210, 45, 107, 116,
182/121; 248/210, 211, 235, 238;
396/419
CPC ... E06C 7/42; E06C 7/423; E06C 7/46; E06C
7/165

See application file for complete search history.

(56) **References Cited**

U.S. PATENT DOCUMENTS

169,236 A	10/1875	Case et al.	
335,051 A	1/1886	Ayers	
407,079 A	7/1889	Laskey	
745,750 A	12/1903	Zeigler et al.	
1,820,315 A	8/1931	Miller	
1,920,552 A	8/1933	Dollerhide	
2,486,783 A	11/1949	Hartman et al.	
2,500,559 A	3/1950	Miller	
2,827,336 A	3/1958	Johnson	
2,948,350 A *	8/1960	Bohannan	E06C 7/16 182/121
3,294,197 A	12/1966	Kwiatkowski	

3,511,338 A	5/1970	Chapman
4,211,307 A	7/1980	Ethridge
4,401,187 A	8/1983	Van Patten
4,482,030 A	11/1984	Lincourt
4,542,874 A	9/1985	Ronning
4,618,030 A	10/1986	Campbell
4,800,988 A	1/1989	Dunmore
4,911,265 A	3/1990	Skaggs
4,953,661 A	9/1990	Hilton et al.
5,005,668 A	4/1991	Nowlan
5,052,515 A	10/1991	Nowlan

(Continued)

OTHER PUBLICATIONS

Amazon "Qual Craft 2477 Ladder Rung Step", www.Amazon.com. Jul. 4, 2013. shown in p. 1, Item # 2477 / B00AE0YQEM.*

Primary Examiner — Cynthia Ramirez
Assistant Examiner — Michael Maharajh
(74) *Attorney, Agent, or Firm* — Breiner & Breiner, L.L.C.

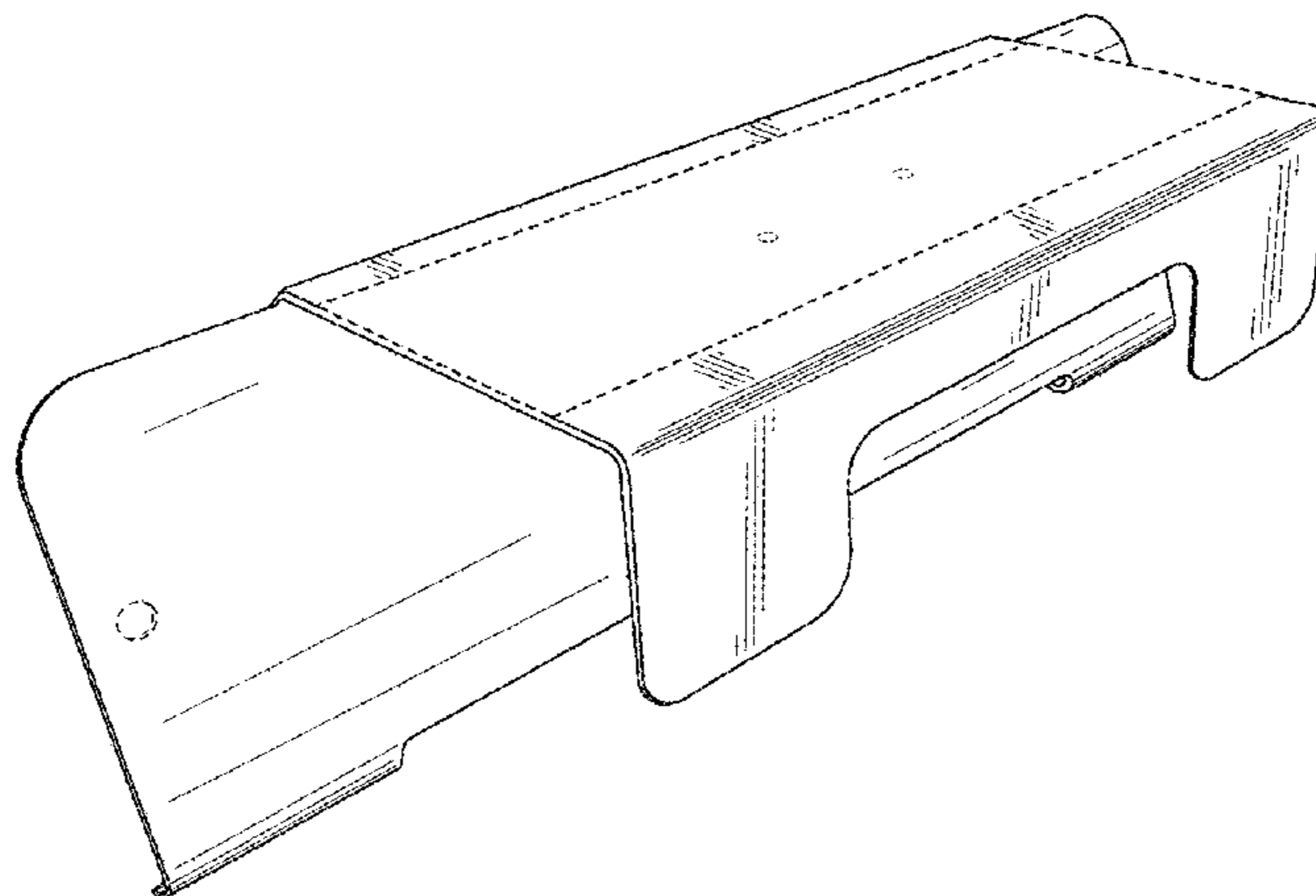
(57) **CLAIM**

The ornamental design for a step adapter for rung ladders, as shown and described.

DESCRIPTION

FIG. 1 is a top rear perspective view of a step adapter for rung ladder, showing our new design;
FIG. 2 is a bottom rear perspective view thereof;
FIG. 3 is a side view of the step adapter, wherein the opposite side view is a mirror image thereof;
FIG. 4 is a rear view of the step adapter;
FIG. 5 is a front view of the step adapter;
FIG. 6 is a bottom view of the step adapter; and,
FIG. 7 is a top view of the step adapter.
The Broken lines in the drawings are included for the purpose of illustrating environmental structure and form no part of the claimed design.

1 Claim, 5 Drawing Sheets



(56)

References Cited

U.S. PATENT DOCUMENTS

5,388,665 A 2/1995 Newman
5,465,809 A 11/1995 Panicci
5,975,240 A 11/1999 O'Brien
6,786,300 B1 9/2004 Bonifacini
7,861,826 B2 1/2011 Meyers et al.
8,657,070 B2 2/2014 O'Brien et al.
D728,128 S * 4/2015 Haney D25/68
2002/0189902 A1 * 12/2002 Nelson E06C 7/00
182/129
2004/0163890 A1 8/2004 Nash, Jr.
2007/0068732 A1 3/2007 Nagle
2007/0240935 A1 10/2007 O'Brien et al.
2011/0297482 A1 * 12/2011 O'Brien E06C 7/165
182/129
2014/0326538 A1 * 11/2014 Najey E06C 7/08
182/129
2016/0177626 A1 * 6/2016 Miller E06C 7/14
396/419
2016/0348433 A1 * 12/2016 Goodnow E06C 7/165
2016/0369561 A1 * 12/2016 Jones E06C 7/081
2016/0376844 A1 * 12/2016 Najey E06C 7/165
182/120

* cited by examiner

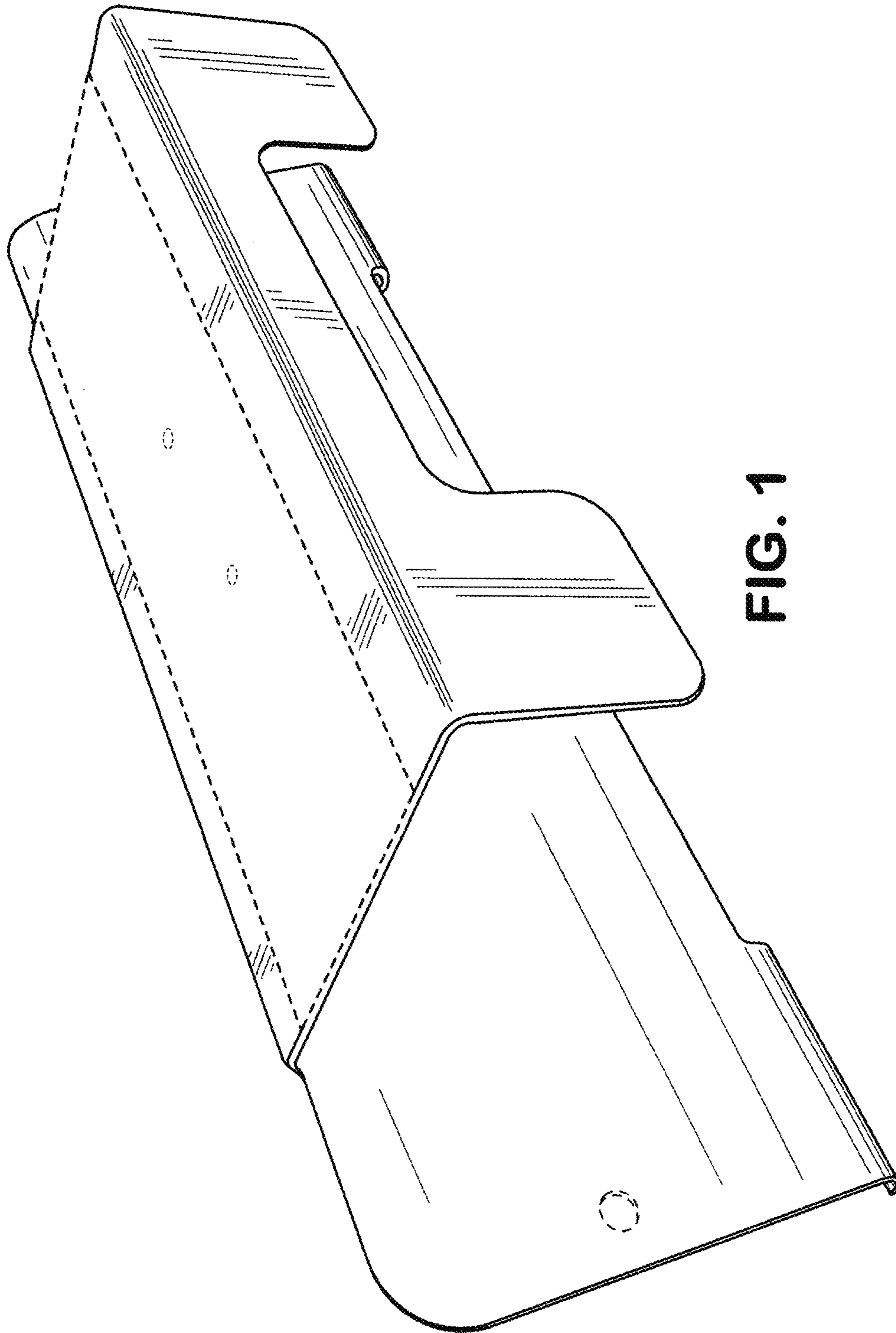


FIG. 1

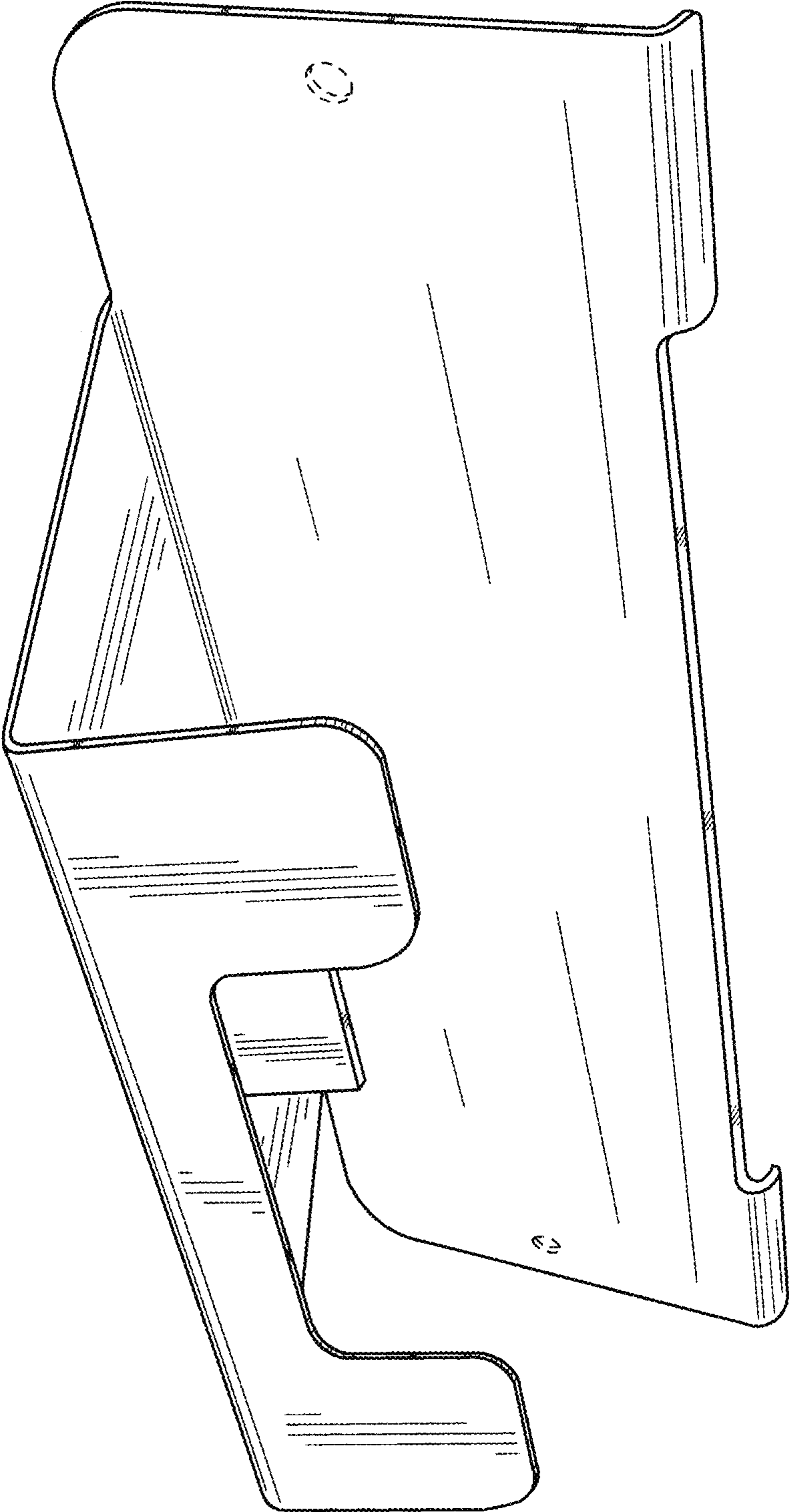


FIG. 2

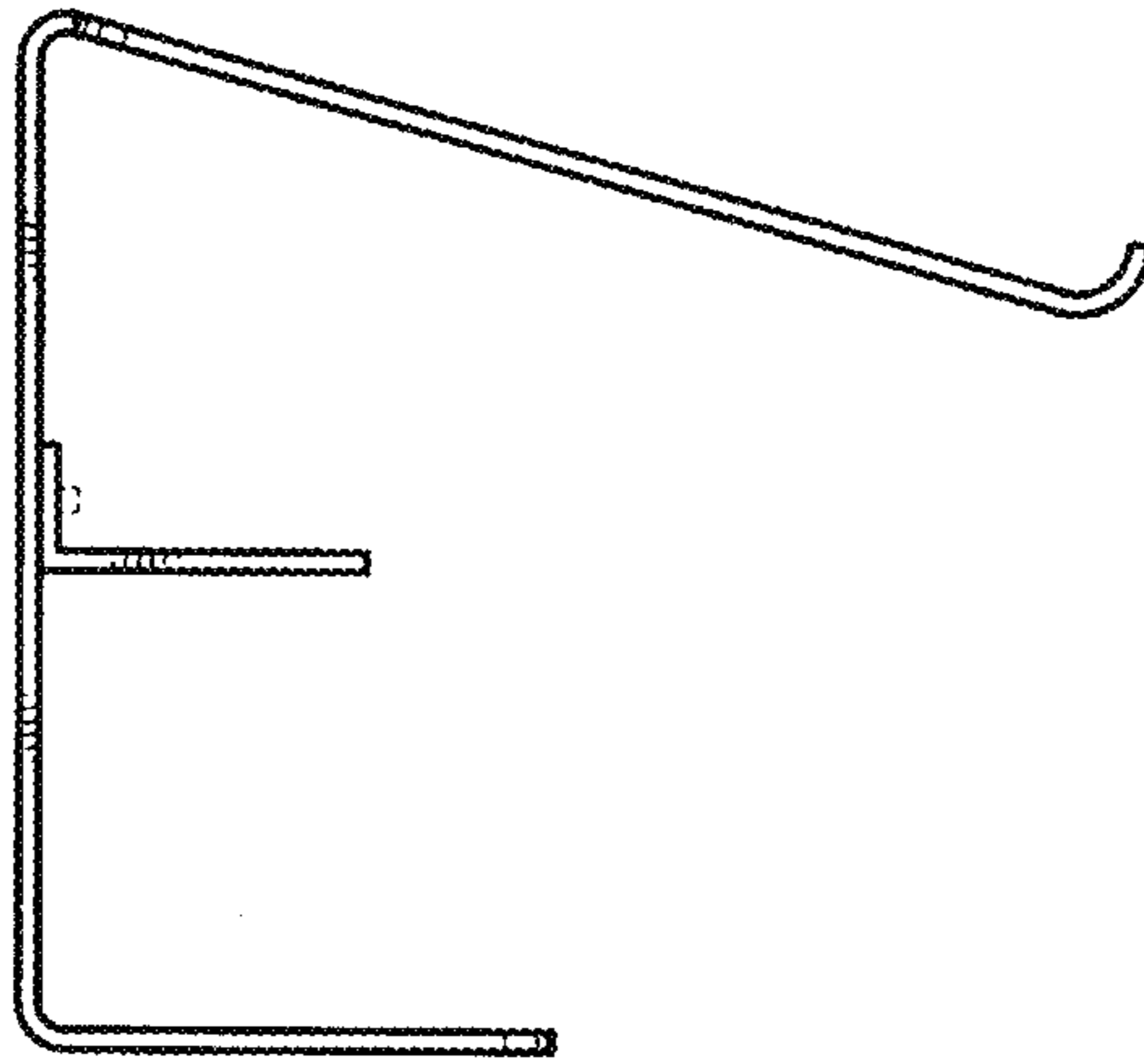


FIG. 3

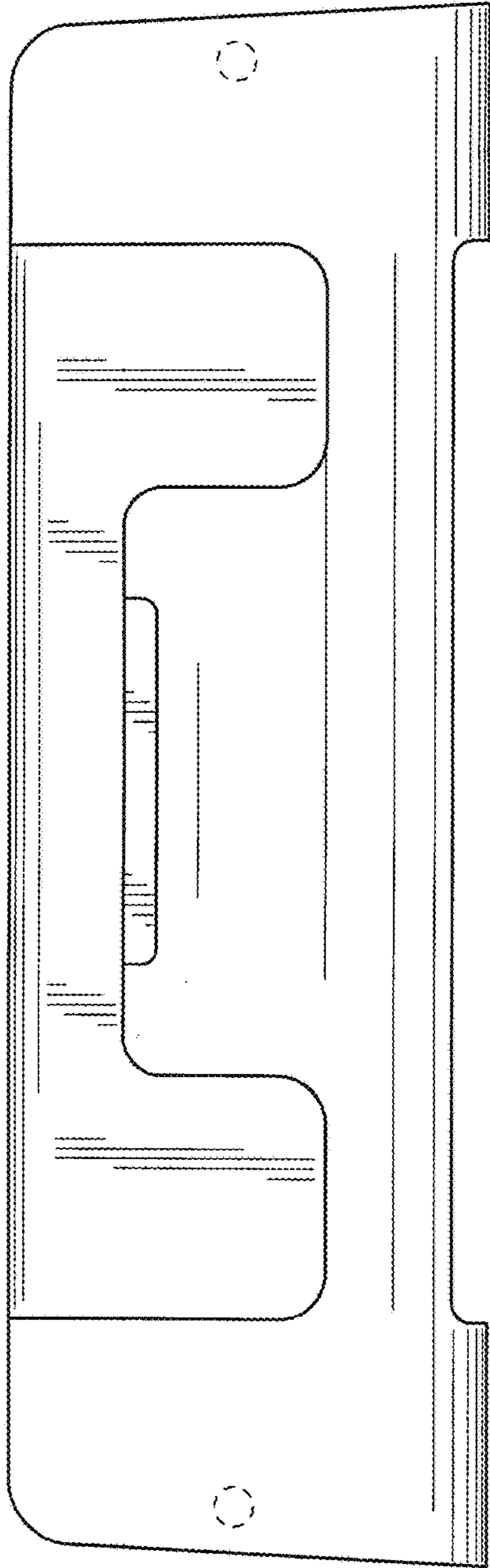


FIG. 4

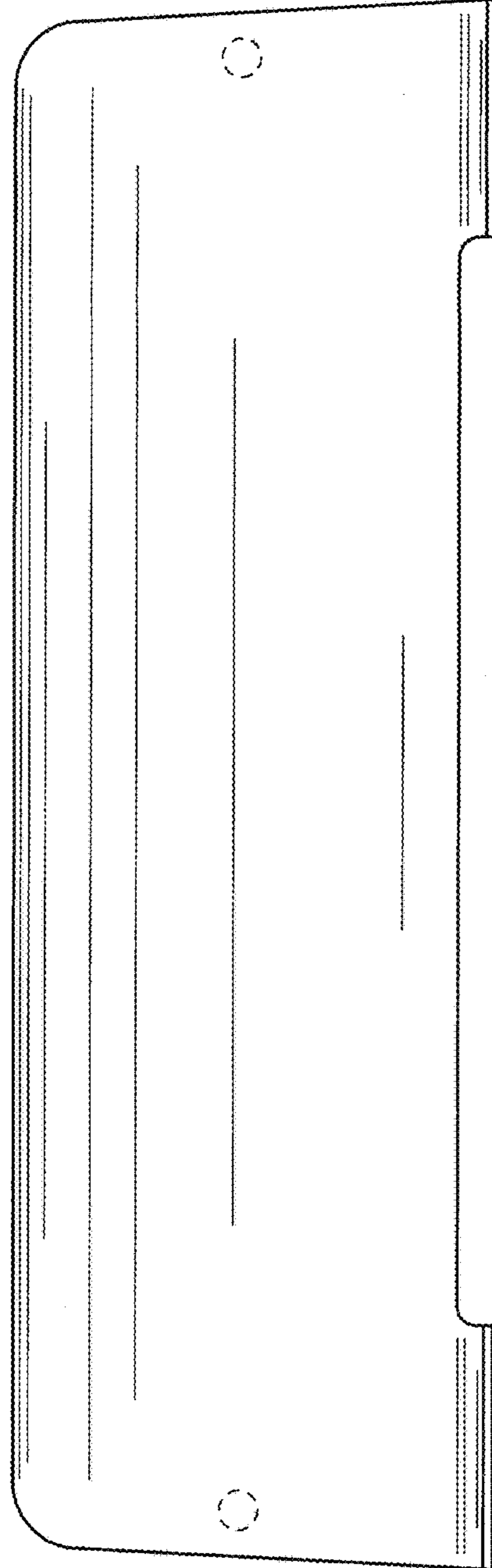


FIG. 5

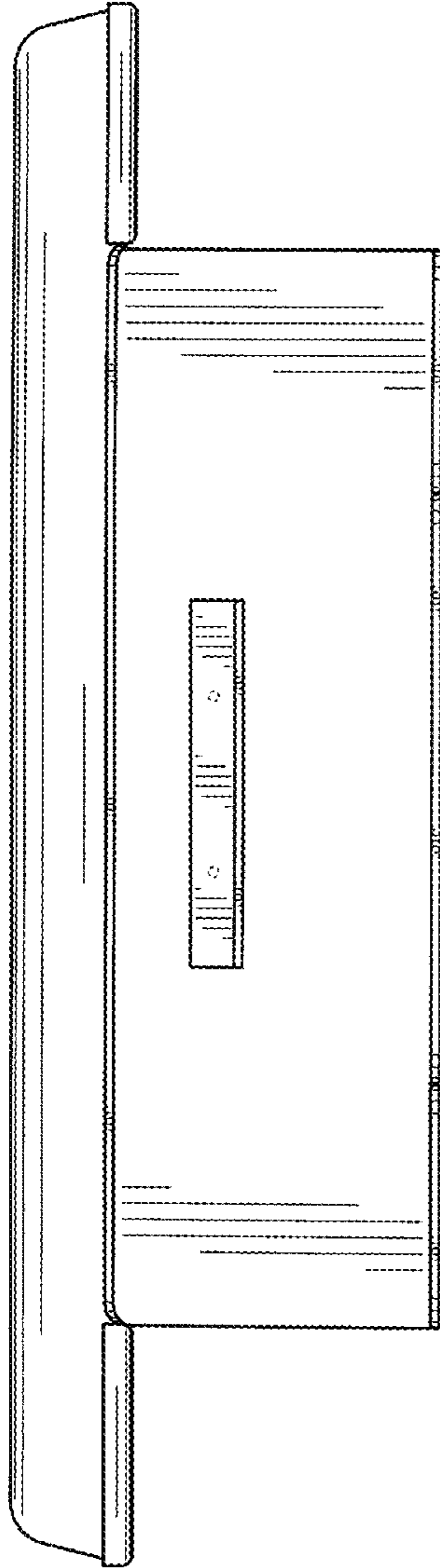


FIG. 6

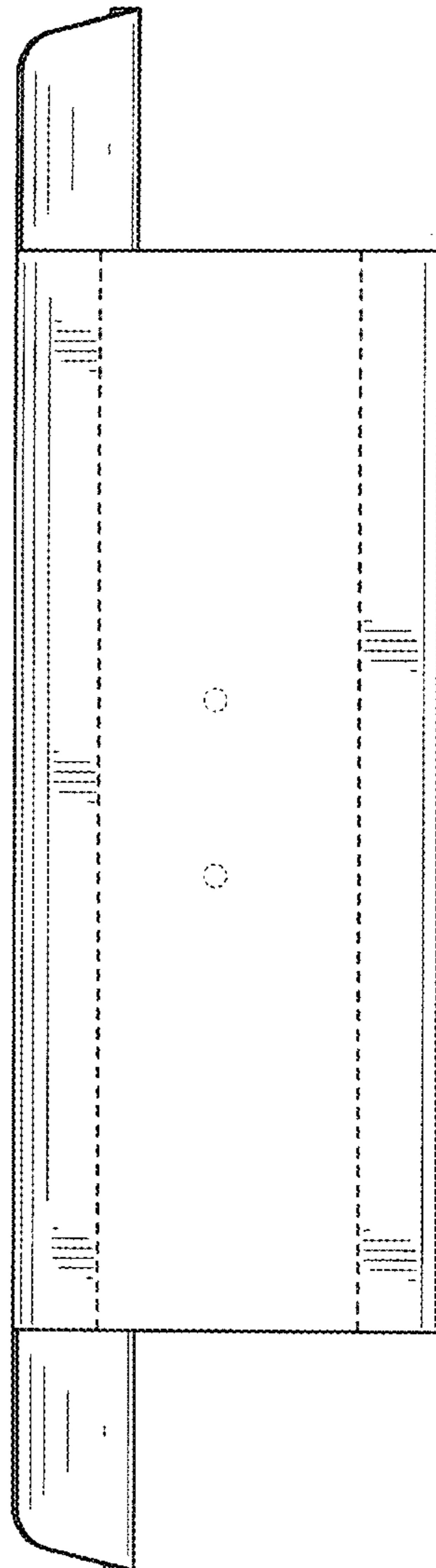


FIG. 7