



US00D791971S

(12) **United States Design Patent** (10) **Patent No.:** **US D791,971 S**
Myers et al. (45) **Date of Patent:** **** Jul. 11, 2017**

(54) **LADDER STEP BARRIER**
(71) Applicant: **EPHA, Inc.**, Hermiston, OR (US)
(72) Inventors: **Mitchell W. Myers**, Hermiston, OR (US); **Stephen Seger**, Anacortes, WA (US)
(73) Assignee: **EPHA, Inc.**, Hermiston, OR (US)
(**) Term: **15 Years**
(21) Appl. No.: **29/549,161**
(22) Filed: **Dec. 18, 2015**
(51) **LOC (10) Cl.** **25-04**
(52) **U.S. Cl.**
USPC **D25/68**
(58) **Field of Classification Search**
USPC D25/62-69; 182/116, 120, 129, 112, 182/152, 156, 163, 165, 33, 22, 115; 248/238, 311.2, 225.21, 97, 210, 231.41, 248/231.61; D8/71, 499, 321, 28; D19/75-80, 95; D3/203.1, 203.3, 203.6, D3/203.8, 206, 212, 228, 247, 328; D6/513, 524, 525, 552; D7/590, 592, D7/596, 597
CPC ... E06C 7/14; E06C 7/143; E06C 7/16; E06C 1/393
See application file for complete search history.

8,925,685 B2 * 1/2015 Dufour E06C 7/14 182/129
D751,218 S * 3/2016 Ellis D25/68
9,428,958 B1 * 8/2016 Ellis E06C 7/14
2006/0169537 A1 * 8/2006 Enochs E04G 5/00 182/129
2007/0181761 A1 * 8/2007 Astor E06C 7/14 248/238
2015/0354278 A1 * 12/2015 Ellis E06C 7/14 182/129

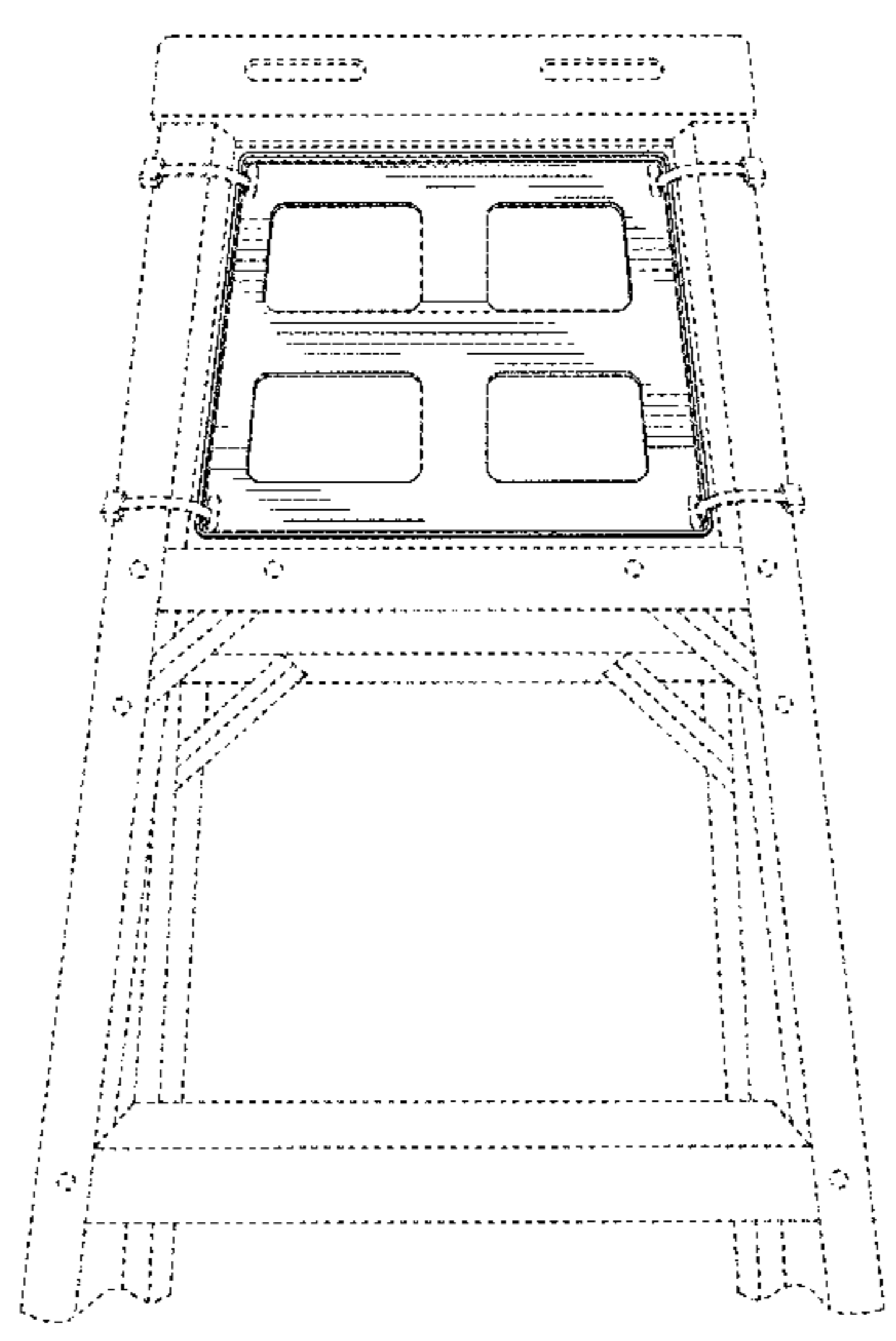
* cited by examiner
Primary Examiner — Cynthia Ramirez
Assistant Examiner — Gino Colan
(74) *Attorney, Agent, or Firm* — Klarquist Sparkman, LLP

(57) **CLAIM**
We claim the ornamental design for a ladder step barrier, as shown and described.

DESCRIPTION
FIG. 1 is a perspective view of the ladder step barrier showing our new design;
FIG. 2 is another perspective view thereof;
FIG. 3 is a top plan view thereof;
FIG. 4 is a horizontal sectional view thereof, taken along line 4-4 of FIG. 3;
FIG. 5 is a bottom plan view thereof;
FIG. 6 is a rear elevational view thereof;
FIG. 7 is a front elevational view thereof;
FIG. 8 is a right side elevational view thereof; and,
FIG. 9 is a left side elevational view thereof.
The broken lines showing a ladder and four straps in FIG. 1 are for the purpose of illustrating environment and form no part of the claimed design. The broken lines showing four small openings on each corner of the ladder step barrier shown in FIGS. 1, 2, 3 and 5 are for the purpose of illustrating portions of the ladder step barrier and form no part of the claimed design.

(56) **References Cited**
U.S. PATENT DOCUMENTS
D273,996 S * 5/1984 Rasler D25/68
D395,522 S * 6/1998 Roberts D25/68
D447,818 S * 9/2001 Weber D25/68
7,156,205 B2 1/2007 Wilson et al.
D564,677 S * 3/2008 Farber D25/68
8,365,863 B2 * 2/2013 Astor E06C 7/14 182/129
D681,235 S * 4/2013 Anderson D25/68
8,616,334 B2 12/2013 Allred et al.

1 Claim, 5 Drawing Sheets



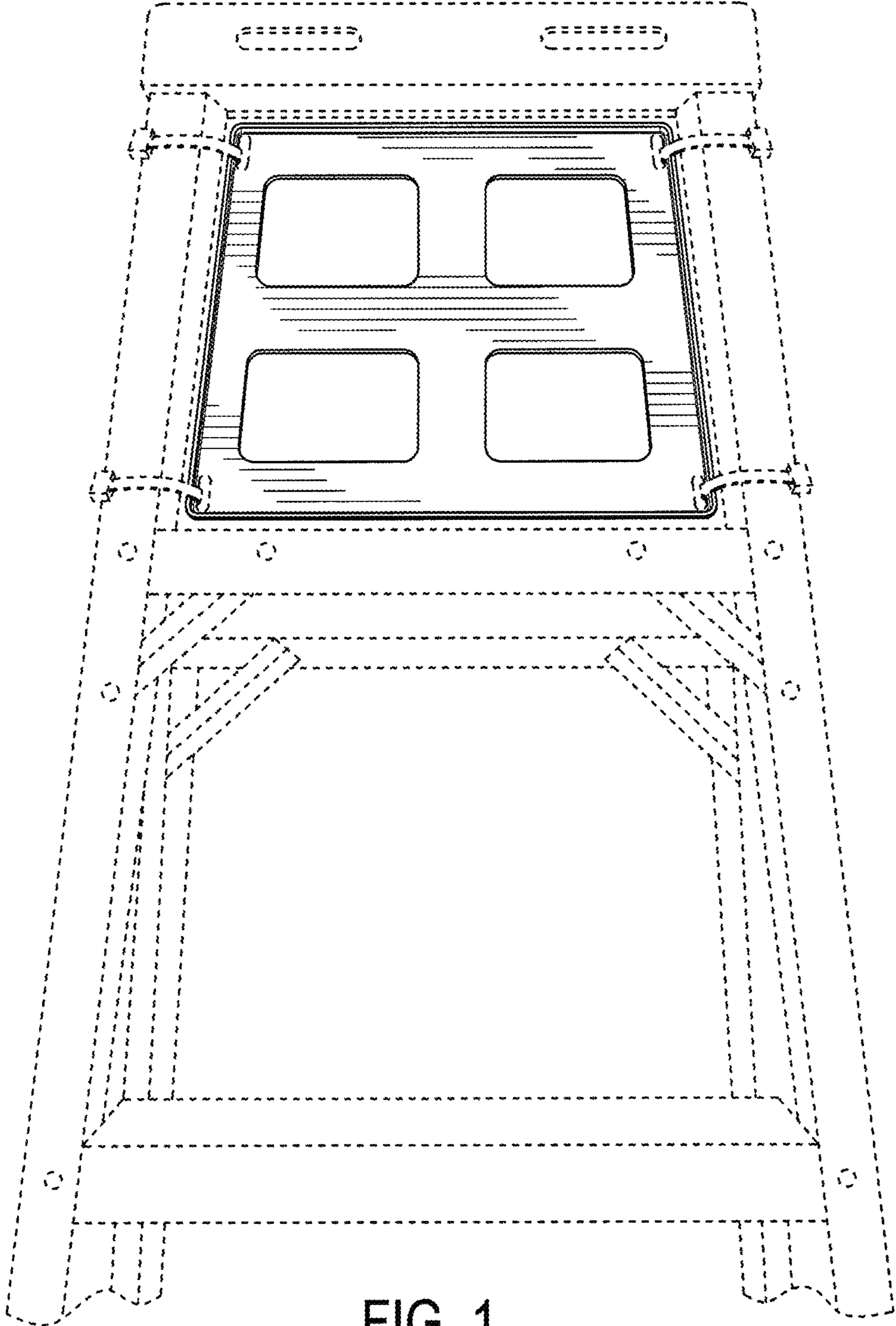


FIG. 1

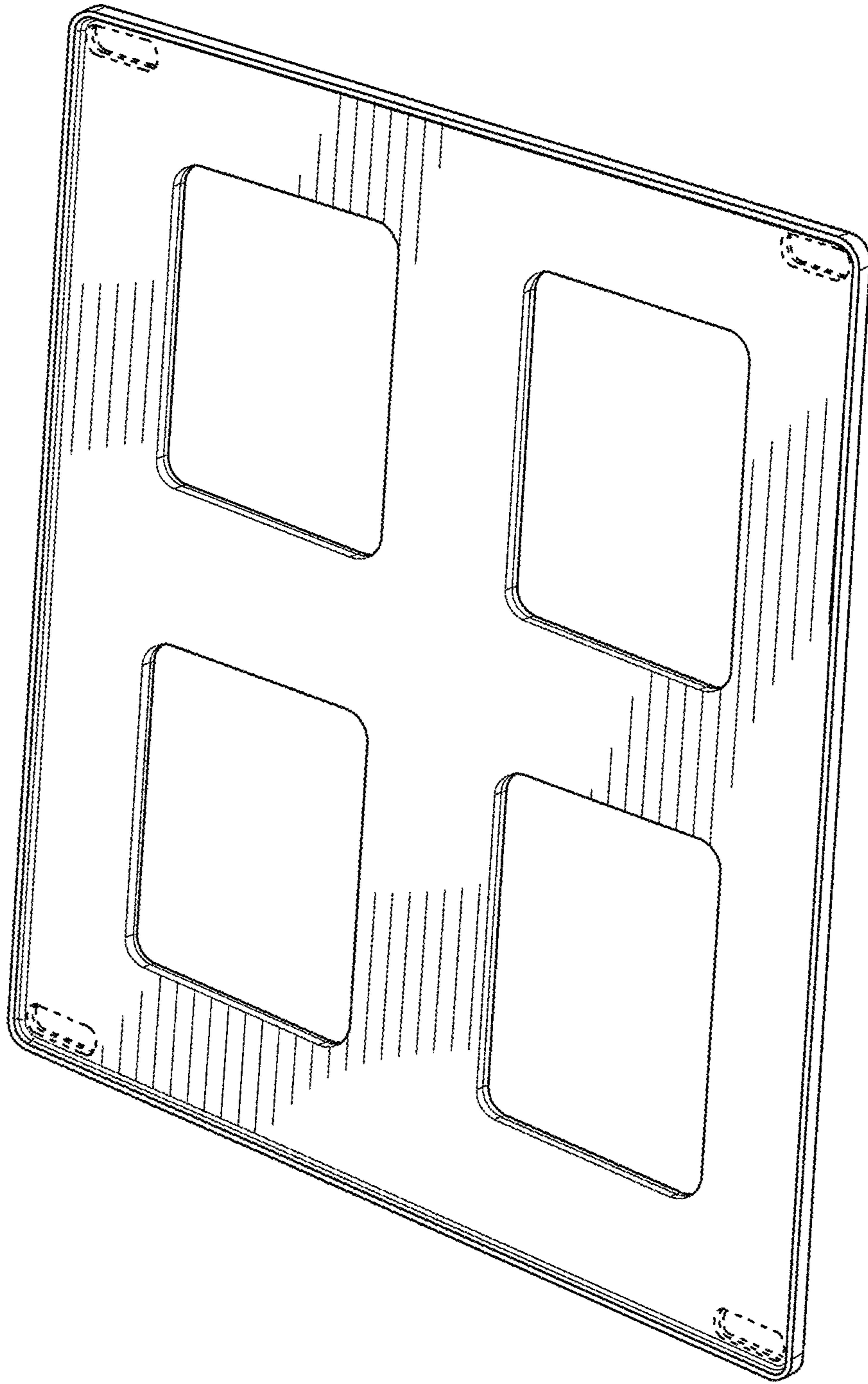


FIG. 2

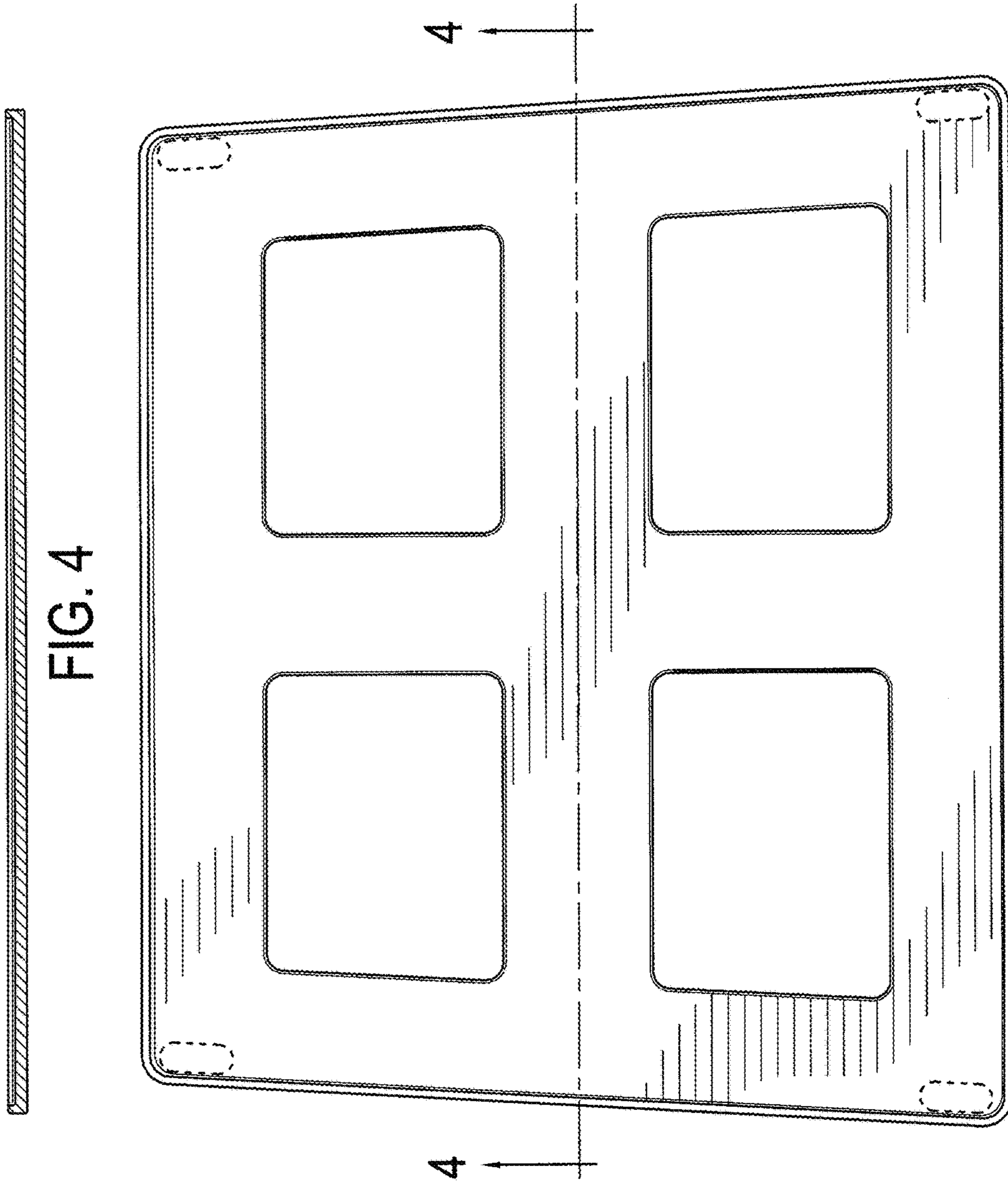


FIG. 4

FIG. 3

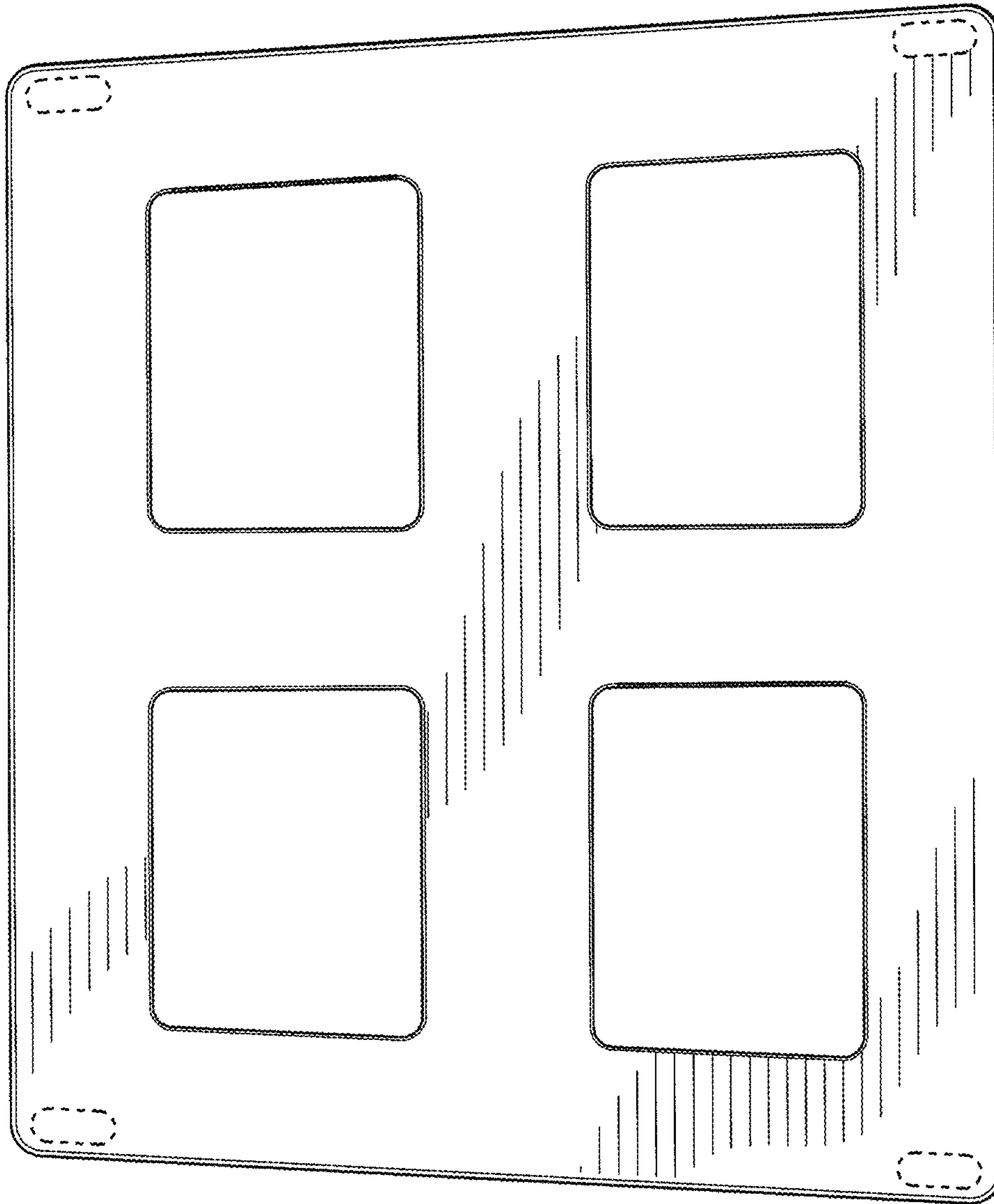


FIG. 5



FIG. 6



FIG. 7

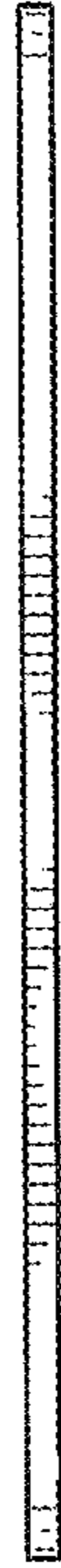


FIG. 8



FIG. 9