



US00D791969S

(12) **United States Design Patent** (10) **Patent No.:** **US D791,969 S**  
**Wysock et al.** (45) **Date of Patent:** **\*\* \*Jul. 11, 2017**

(54) **DOOR FACING**

- (71) Applicant: **Masonite Corporation**, Tampa, FL (US)
- (72) Inventors: **Gregory Wysock**, Sycamore, IL (US); **Timothy Gouge**, Elgin, IL (US)
- (73) Assignee: **Masonite Corporation**, Tampa, FL (US)
- (\*) Notice: This patent is subject to a terminal disclaimer.
- (\*\*) Term: **14 Years**
- (21) Appl. No.: **29/491,981**
- (22) Filed: **May 27, 2014**

**Related U.S. Application Data**

- (63) Continuation of application No. 29/431,342, filed on Sep. 6, 2012, now Pat. No. Des. 705,947.
- (51) **LOC (10) Cl.** ..... **25-02**
- (52) **U.S. Cl.**  
USPC ..... **D25/48.3**
- (58) **Field of Classification Search**  
USPC ..... D25/48.3, 48.2; 52/455, 474, 210  
(Continued)

(56) **References Cited**

**U.S. PATENT DOCUMENTS**

- D313,080 S \* 12/1990 Hall ..... D25/103
  - D314,242 S \* 1/1991 Mikolaitis ..... D25/138
- (Continued)

**FOREIGN PATENT DOCUMENTS**

- CA 2028375 \* 4/1995 ..... E06B 3/70
- CN 202187674 \* 4/2012 ..... E05B 1/00
- JP 2006057385 \* 3/2006 ..... E06B 5/20

**OTHER PUBLICATIONS**

Lakewood Brass Center Arch Lite Front Door, Home Depot, [online], [site visited Aug. 26, 2016]. <URL: http://www.homedepot.com/p/Feather-River-Doors-37-5-in-x-81-625-in-Lakewood-Brass-Center-Arch-Lite-Stained-Medium-Oak-Fiber-glass-Prehung-Front-Door-321405/100086267>.\*

(Continued)

*Primary Examiner* — T. Chase Nelson

*Assistant Examiner* — Jonathan J Han

(74) *Attorney, Agent, or Firm* — Berenato & White, LLC

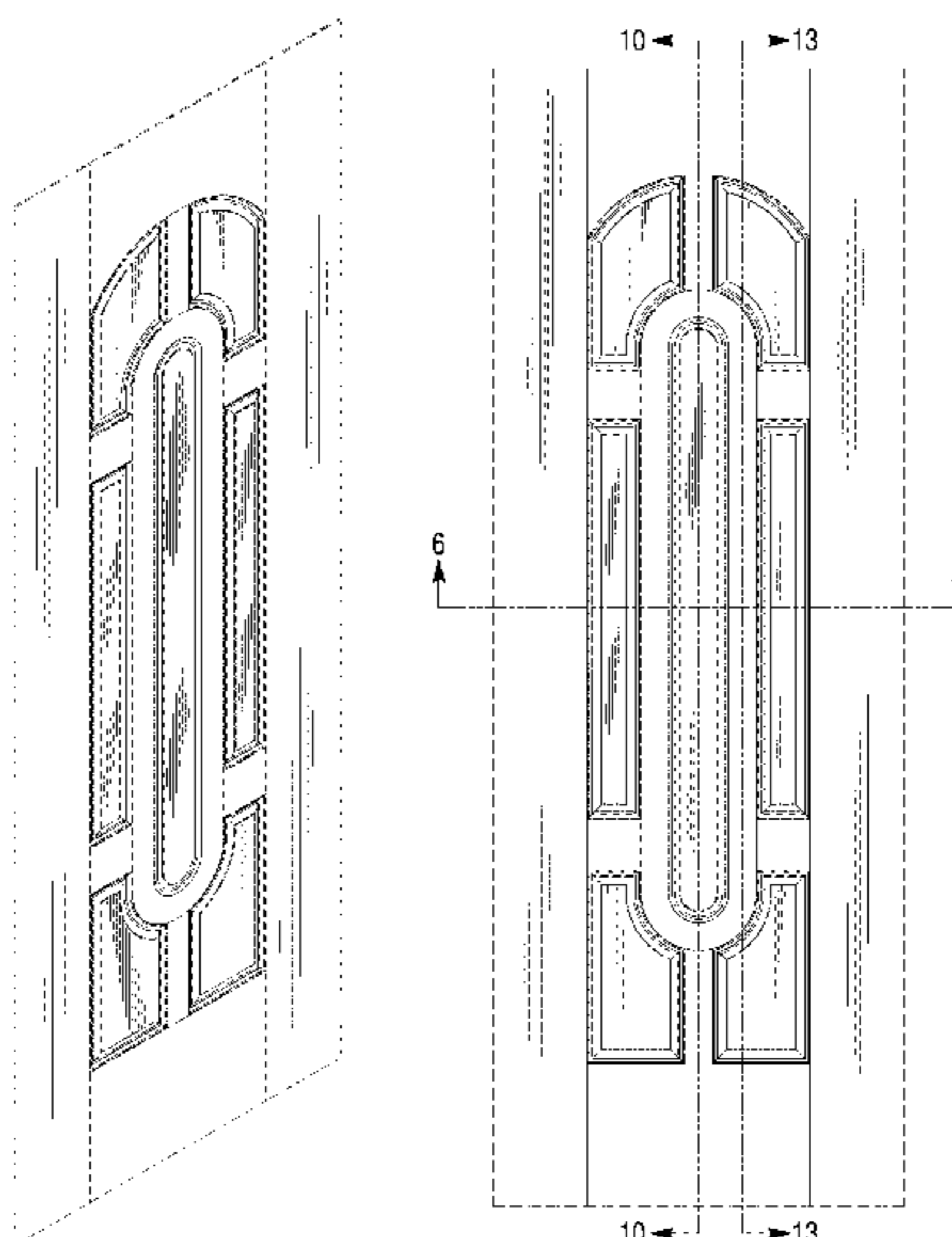
(57) **CLAIM**

The ornamental design for a door facing, as shown and described.

**DESCRIPTION**

FIG. 1 is a front perspective view of our design; FIG. 2 is a front elevational view of FIG. 1; FIG. 3 is a rear elevational view of FIG. 1; FIG. 4 is a top elevational view of FIG. 1; FIG. 5 is a bottom elevational view of FIG. 1; FIG. 6 is a cross-sectional view taken along the line 6-6 of FIG. 2; FIG. 7 is a magnified view of a portion of FIG. 6; FIG. 8 is a right side elevational view of FIG. 1; FIG. 9 is a left side elevational view of FIG. 1; FIG. 10 is a cross-sectional view taken along the line 10-10 of FIG. 2; FIG. 11 is a magnified view of a first portion of FIG. 10; FIG. 12 is a magnified view of a second portion of FIG. 10; FIG. 13 is a cross-sectional view taken along the line 13-13 of FIG. 2; FIG. 14 is a magnified view of a first portion of FIG. 13; FIG. 15 is a magnified view of a second portion of FIG. 13; FIG. 16 is a magnified view of a third portion of FIG. 13; and, FIG. 17 is a magnified view of a fourth portion of FIG. 13. The broken lines in the figures are for illustrative purposes only, and form no part of the claimed design.

**1 Claim, 6 Drawing Sheets**



# US D791,969 S

Page 2

(58) **Field of Classification Search**

CPC . E06B 3/7001; E06B 3/72; E06B 3/78; E06B  
3/76

See application file for complete search history.

D705,946 S \* 5/2014 Wysock ..... D25/48.3  
D705,947 S \* 5/2014 Wysock ..... D25/48.3  
D753,842 S \* 4/2016 Wysock ..... D25/48.3  
2011/0036036 A1\* 2/2011 Thompson ..... E06B 3/7001  
52/455  
2011/0107703 A1\* 5/2011 Mullet ..... E06B 3/7001  
52/455

(56) **References Cited**

U.S. PATENT DOCUMENTS

D349,352 S \* 8/1994 Csati ..... D25/103  
D467,350 S \* 12/2002 Jimenez ..... D25/48.3  
6,615,558 B2\* 9/2003 Libby ..... E06B 1/524  
52/204.59  
D550,856 S \* 9/2007 Hackett ..... D25/48.3  
D551,777 S \* 9/2007 Hackett ..... D25/48.3  
D552,254 S \* 10/2007 Hackett ..... D25/48.3  
D552,255 S \* 10/2007 Hackett ..... D25/48.3  
D615,214 S \* 5/2010 Lynch ..... D25/48.3  
D634,854 S \* 3/2011 Lynch ..... D25/48.3  
D634,855 S \* 3/2011 Lynch ..... D25/48.3

OTHER PUBLICATIONS

Belleville Entry Door, Masonite Corporation, [online], [site visited Aug. 26, 2016]. <URL: <https://configure.masonitecloud.com/anonymous/configDoor.spr?productLine=entry&zipCode=22314&country=US&doorId=FG-BMT-DR-203-010-X-7-80-36>>.\*  
Center Arch Light Entry Door, Pella, [online], [site visited Aug. 26, 2016]. <URL: <http://www.pella.com/doors/center-arch-light-entry-doors/architect-series/>>.\*

\* cited by examiner

FIG. 1

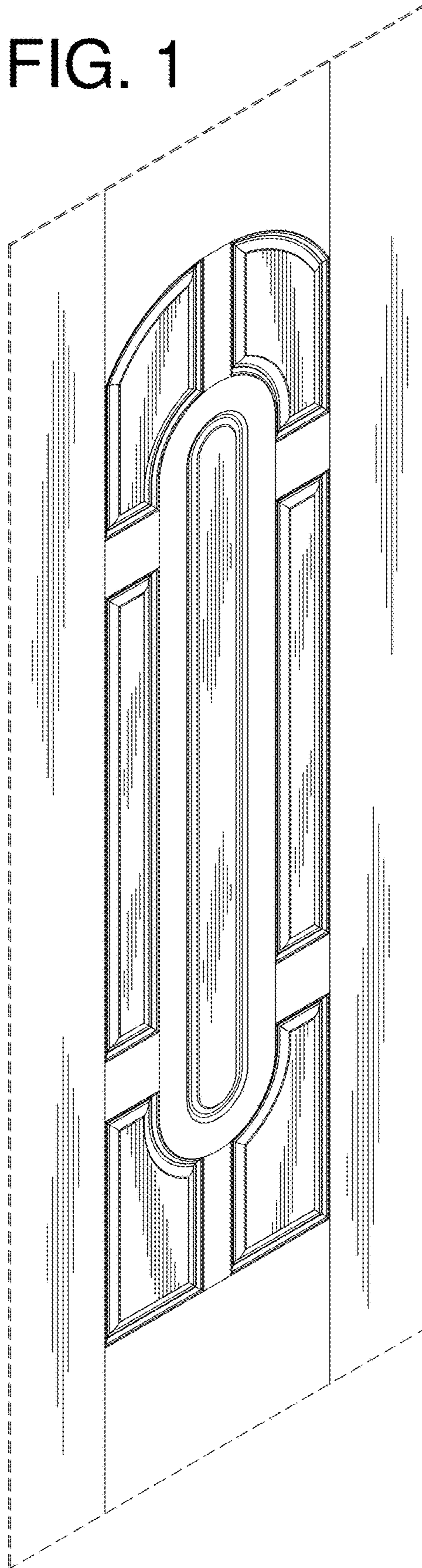


FIG. 2

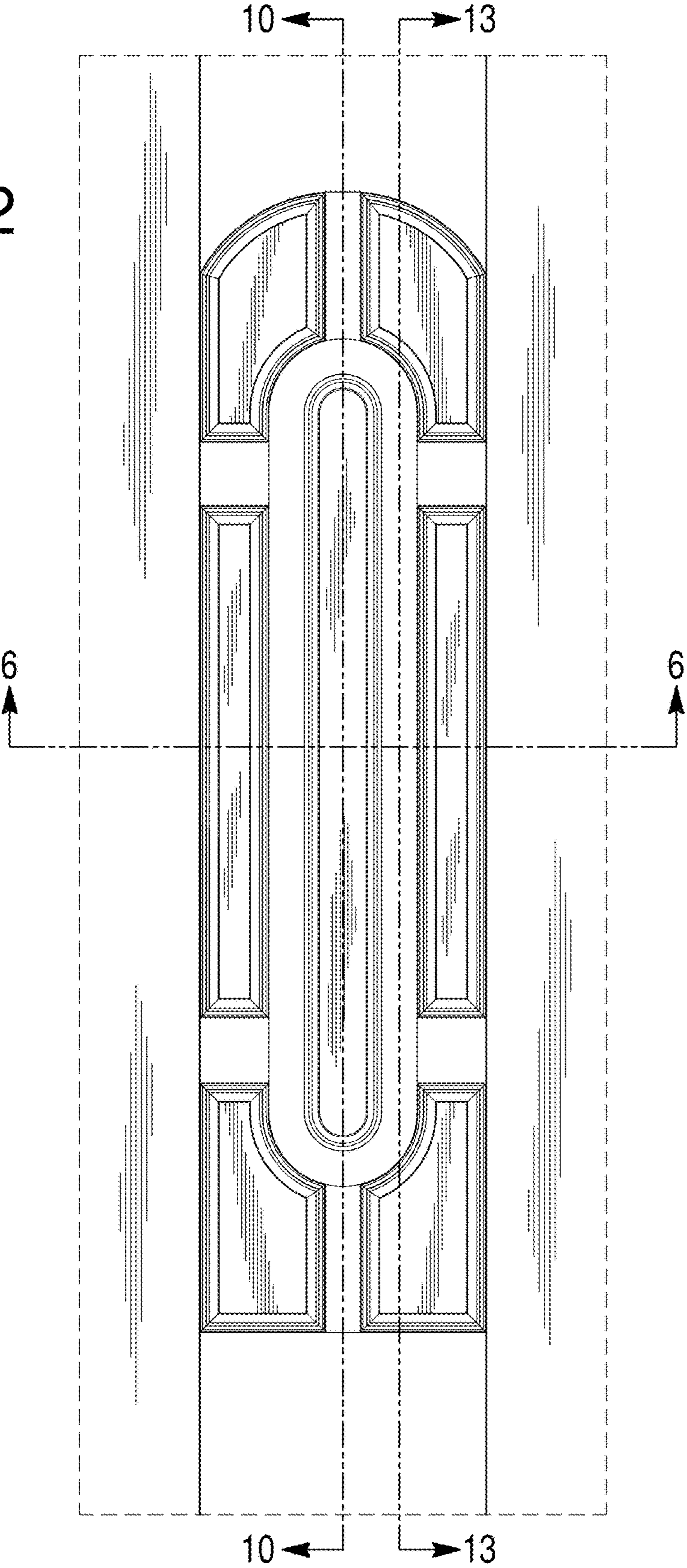


FIG. 3

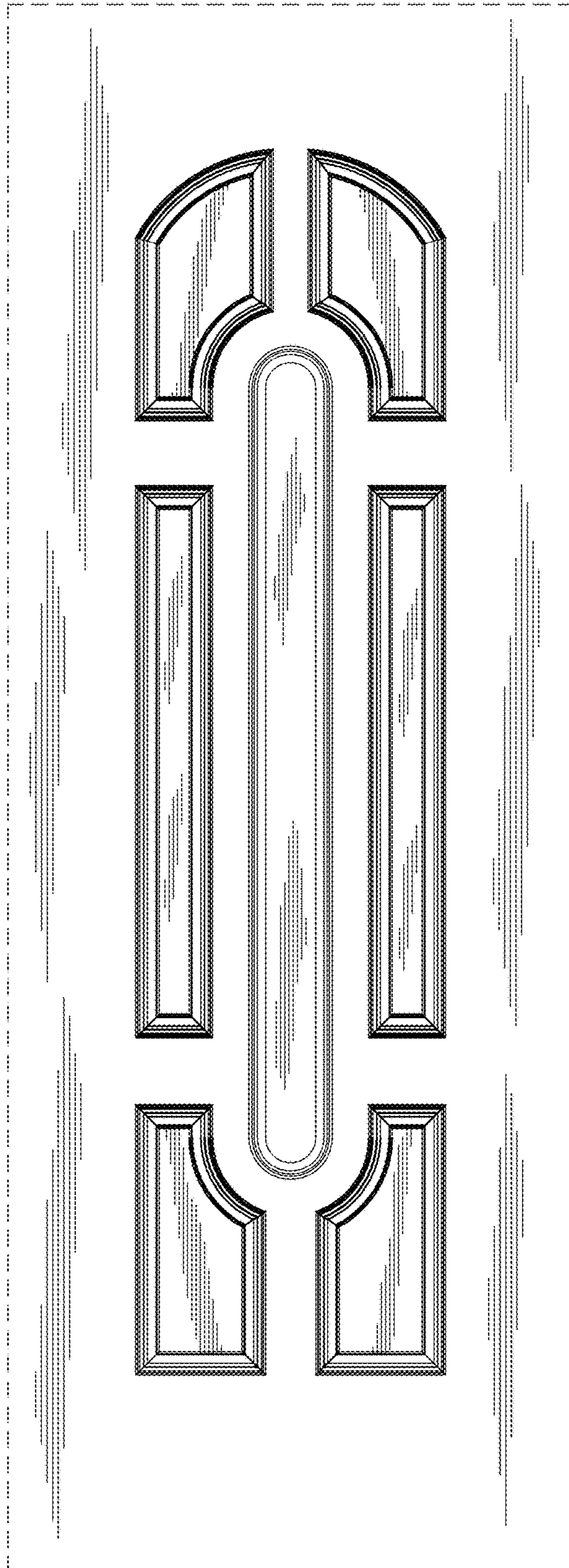


FIG. 4

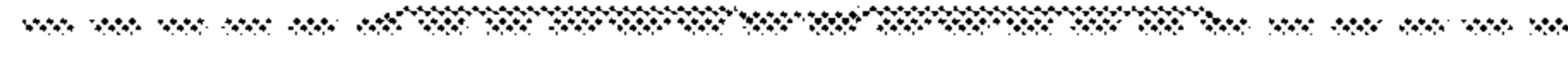


FIG. 5

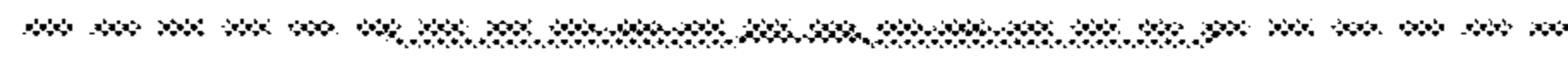


FIG. 6



FIG. 7

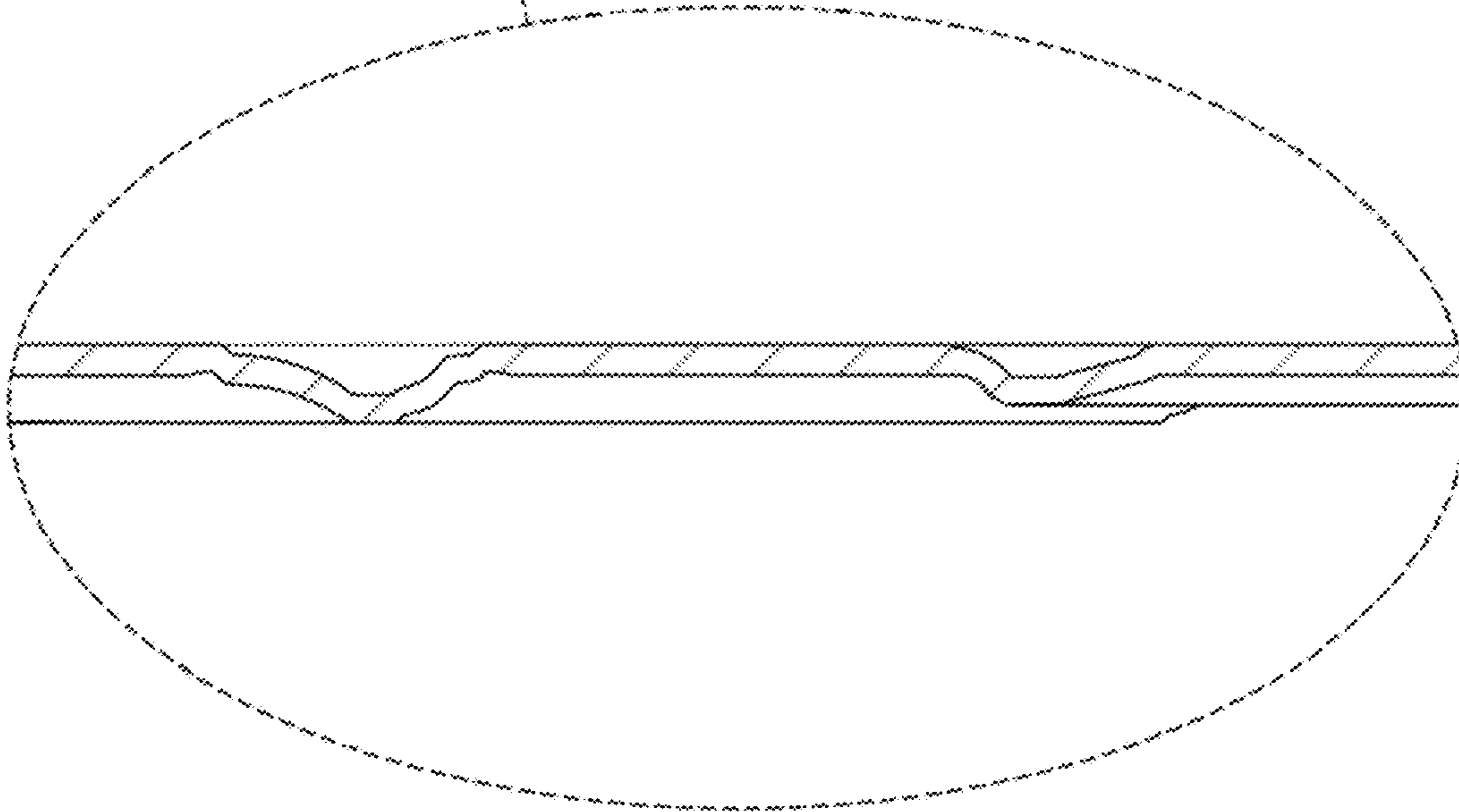


FIG. 8



FIG. 9



Fig. 10

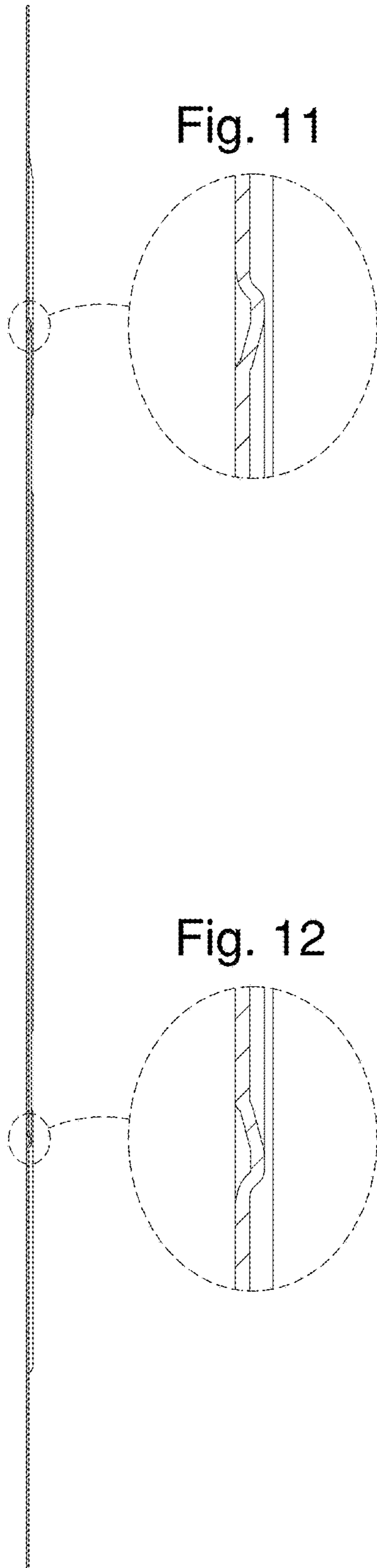


Fig. 13

