



US00D791966S

(12) **United States Design Patent** (10) **Patent No.:** **US D791,966 S**
Pain (45) **Date of Patent:** **** Jul. 11, 2017**

(54) **SWIMMING POOL**
(71) Applicant: **North Star Technology International Limited**, Marsa (MT)
(72) Inventor: **Kerry R. Pain**, Queensland (AU)
(73) Assignee: **North Star Technology International Limited**, Marsa (MT)
(**) Term: **15 Years**
(21) Appl. No.: **29/553,069**
(22) Filed: **Jan. 28, 2016**
(51) **LOC (10) Cl.** **25-03**
(52) **U.S. Cl.**
USPC **D25/2**
(58) **Field of Classification Search**
USPC D23/276, 277, 280.1, 316; D24/203, D24/204, 205, 206; D25/2
CPC E04H 4/00; E04H 4/06; E04H 4/08; E04H 4/10; E04H 4/12; E04H 4/14; E04H 4/16; Y10T 137/6988; H05B 33/08; H04W 4/00; H04W 4/02; G09B 19/00; G08B 21/04; G08B 21/08
See application file for complete search history.

(56) **References Cited**
U.S. PATENT DOCUMENTS
3,568,392 A 3/1971 Stark
3,738,515 A 6/1973 Monten
D241,643 S * 9/1976 Bonsack D23/280.1
D251,201 S * 2/1979 Mathis 4/488
4,227,266 A * 10/1980 Russell E04H 4/12
137/362
D266,697 S * 10/1982 Topete D23/277
D266,789 S * 11/1982 Topete D23/277
D269,813 S * 7/1983 Topete D23/280.1
D271,522 S * 11/1983 Wiley D23/277
D271,995 S * 12/1983 Topete D23/280.1
D278,932 S 5/1985 Sullivan

D278,933 S 5/1985 Sullivan
D285,350 S 8/1986 Sullivan
D300,360 S * 3/1989 Jacuzzi D24/204
D321,923 S * 11/1991 Ross D21/815
D324,729 S * 3/1992 Yvetot D23/280.1
5,195,191 A 3/1993 Stefan et al.
5,400,556 A 3/1995 Favaron
5,680,730 A 10/1997 Epple
D394,907 S 6/1998 Duffy
D397,231 S 8/1998 Saxer
5,887,295 A 3/1999 Williamson
5,941,030 A 8/1999 Williamson
D417,286 S * 11/1999 Sullivan D25/2
D420,143 S 2/2000 Gagon
D420,413 S 2/2000 Gonzalez
D444,242 S 6/2001 Epple

(Continued)

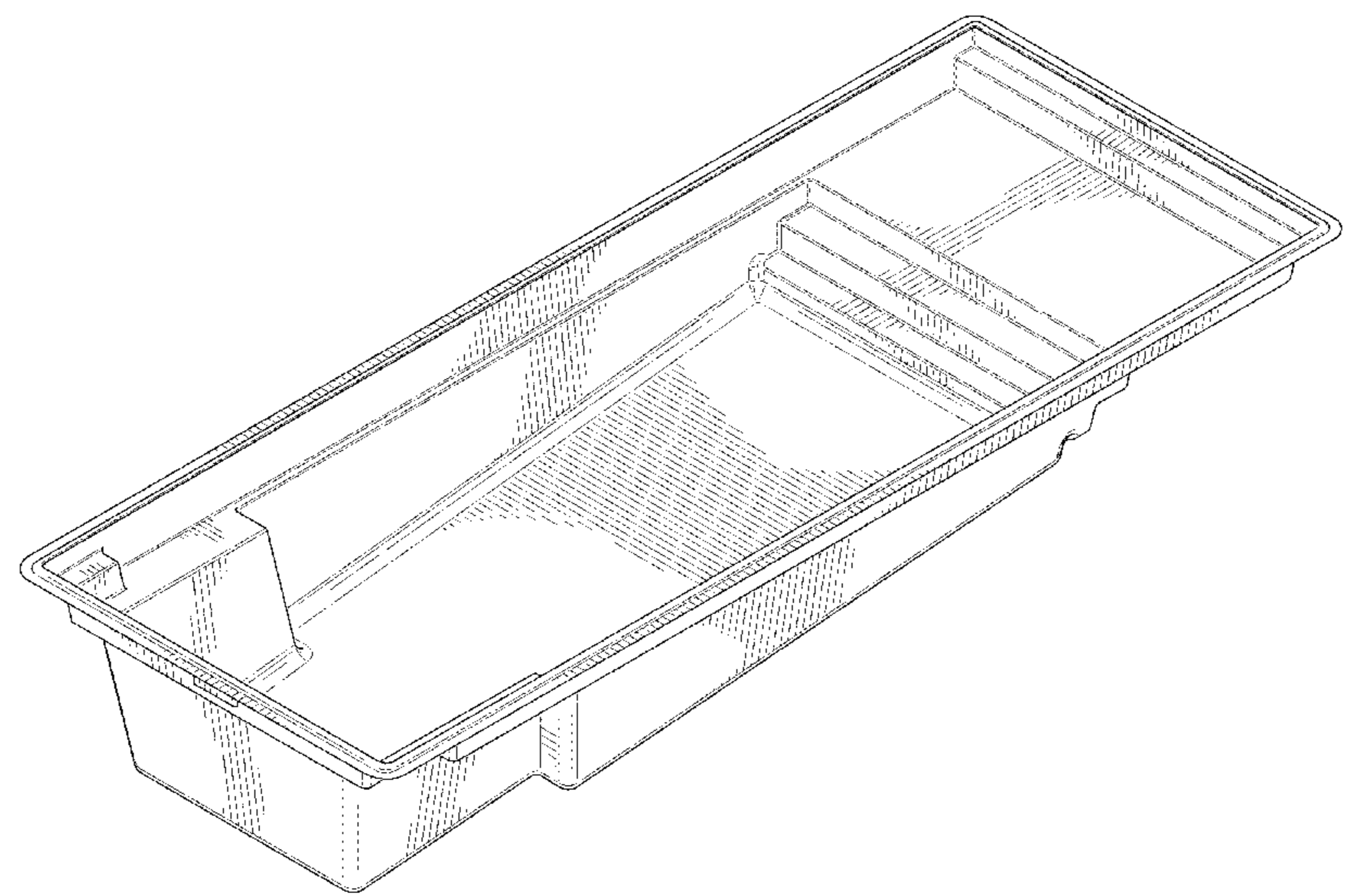
Primary Examiner — Manpreet Matharu
Assistant Examiner — Suzanne Tisdell
(74) *Attorney, Agent, or Firm* — Luedeka Neely Group, PC

(57) **CLAIM**
The ornamental design for a swimming pool, as shown and described.

DESCRIPTION

FIG. 1 is a perspective top view of a swimming pool
FIG. 2 is a side view of the swimming pool
FIG. 3 is a side view of the swimming pool from the opposite direction as FIG. 2;
FIG. 4 is a front view of the swimming pool with the shallow end toward the viewer;
FIG. 5 is a rear view of the swimming pool with the deep end toward the viewer;
FIG. 6 is a top view of the swimming pool with the deep end toward the viewer;
FIG. 7 is a bottom view of the swimming pool with the deep end toward the viewer; and,
FIG. 8 is a sectional view taken from line 8-8 in FIG. 6.

1 Claim, 7 Drawing Sheets



(56)

References Cited

U.S. PATENT DOCUMENTS

6,324,706 B1	12/2001	Epple		7,311,867 B1	12/2007	Cronise, IV et al.	
D455,838 S	4/2002	Erdelac		7,318,243 B2	1/2008	Smith	
6,384,726 B1	5/2002	Epple et al.		D608,902 S *	1/2010	Gill	D25/2
6,393,632 B1	5/2002	Epple		7,861,471 B2	1/2011	Smith	
6,418,572 B1	7/2002	Epple et al.		D653,770 S	2/2012	Olmsted et al.	
6,446,276 B2	9/2002	Mathis		D653,771 S	2/2012	Olmsted et al.	
6,457,189 B1	10/2002	Kindness		D660,442 S *	5/2012	Sullivan	D24/201
6,519,788 B1	2/2003	Epple		D685,500 S *	7/2013	Sullivan	D25/2
D471,282 S	3/2003	Sullivan		8,584,271 B2	11/2013	Mathis et al.	
D471,283 S	3/2003	Sullivan		D703,795 S *	4/2014	Licini	D23/277
6,526,604 B1	3/2003	Mathis		9,132,488 B2	9/2015	Stojanovski	
6,622,318 B2	9/2003	Mathis		RE45,820 E *	12/2015	Jiang	D23/277
D485,914 S	1/2004	Lucas et al.		D782,631 S *	3/2017	Schachter	D23/277
6,671,895 B2	1/2004	Lewis		2001/0023506 A1	9/2001	Mathis et al.	
D490,161 S	5/2004	Erdelac		2003/0084617 A1	5/2003	Smith	
D490,903 S	6/2004	Erdelac		2004/0018051 A1	1/2004	Dalton	
D490,904 S	6/2004	Erdelac		2005/0091736 A1	5/2005	Smith	
D491,277 S	6/2004	Erdelac et al.		2005/0091738 A1	5/2005	Smith	
6,769,141 B2	8/2004	Epple et al.		2006/0064812 A1	3/2006	Smith	
6,862,756 B2	3/2005	Mathis		2006/0123536 A1	6/2006	Smith	
6,886,188 B2	5/2005	Epple et al.		2008/0134426 A1	6/2008	Cronise et al.	
6,928,671 B2	8/2005	Pagano et al.		2009/0188178 A1	7/2009	Lucas et al.	
D509,593 S	9/2005	Sullivan		2011/0061158 A1	3/2011	Smith	
D510,630 S *	10/2005	Sullivan	D25/2	2012/0167494 A1	7/2012	Brooks et al.	
D512,515 S	12/2005	Lucas		2012/0175578 A1 *	7/2012	Boudreau	G08B 21/086 256/26
D514,228 S	1/2006	Sullivan		2012/0227213 A1	9/2012	Karsten et al.	
D514,229 S	1/2006	Sullivan		2015/0000764 A1	1/2015	Johnson et al.	
6,991,700 B2	1/2006	Smith		2015/0089732 A1 *	4/2015	Khamis	E04H 4/0037 4/506
D514,708 S	2/2006	Sullivan		2015/0122080 A1	5/2015	Meyer	
7,010,817 B2	3/2006	Smith		2015/0240509 A1 *	8/2015	Ferriss	A63B 69/125 4/492
7,011,782 B2	3/2006	Smith		2015/0275536 A1	10/2015	Baudendistel et al.	
7,093,784 B2	8/2006	Smith		2016/0102470 A1 *	4/2016	Brooks	E04H 4/14 4/506
7,114,297 B2	10/2006	Mathis et al.		2016/0130828 A1 *	5/2016	Moody	E04H 4/10 4/503
7,146,773 B2	12/2006	Wilson					
7,150,129 B2	12/2006	Elder et al.					
7,152,254 B2	12/2006	Smith					
7,171,703 B2	2/2007	Mathis					

* cited by examiner

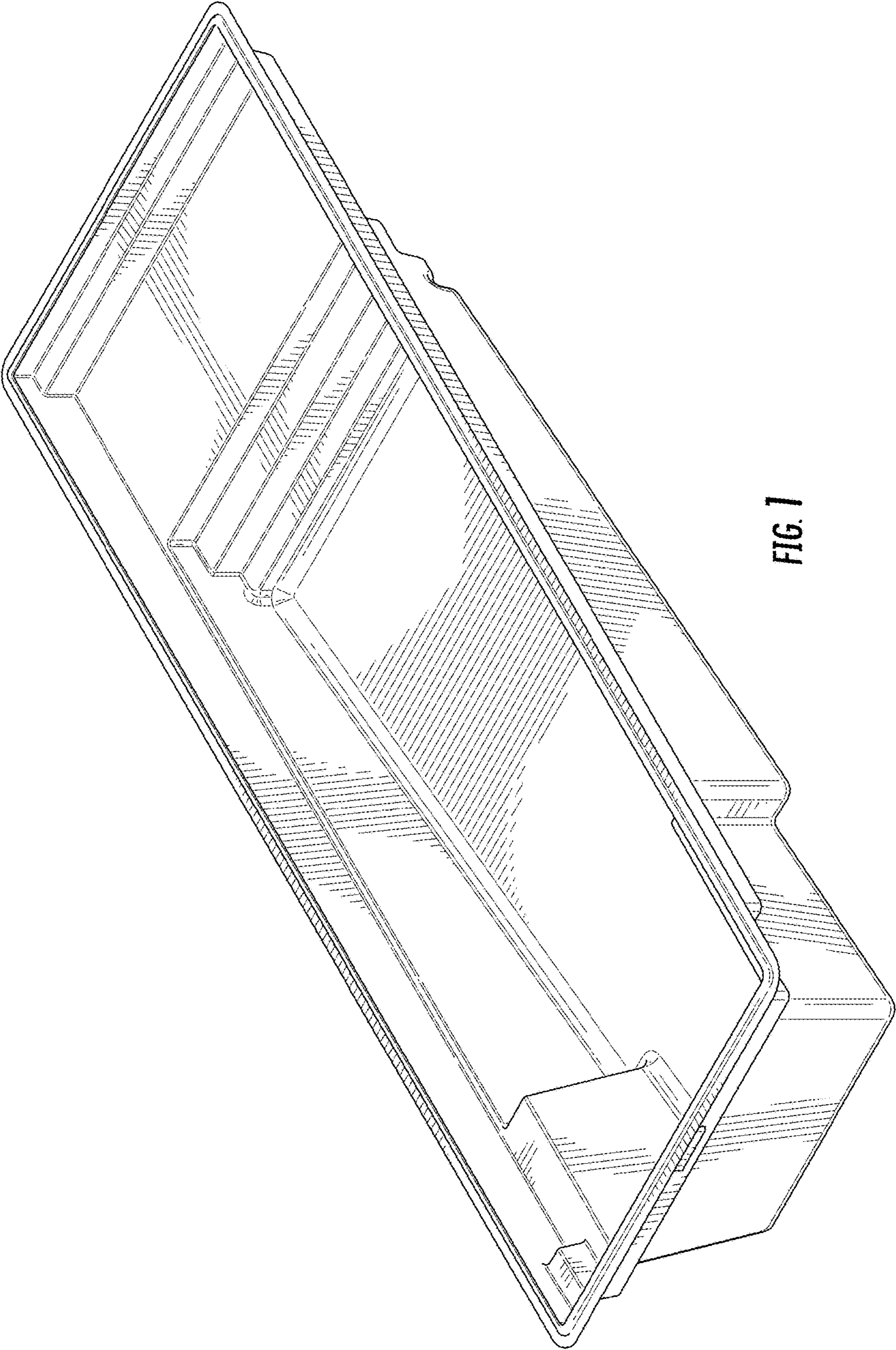


FIG. 1

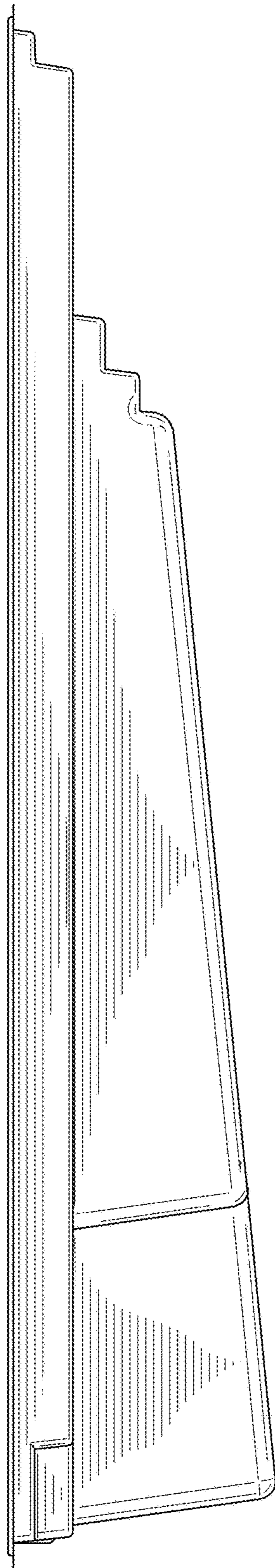


FIG. 2

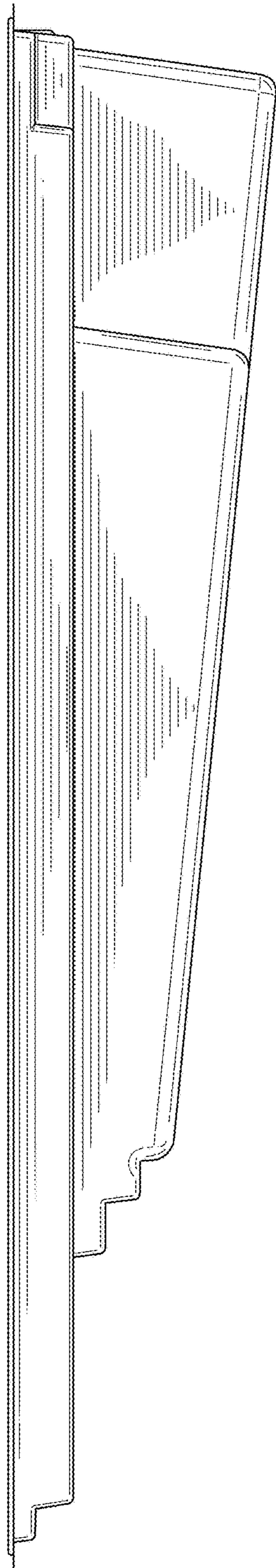


FIG. 3



FIG. 4

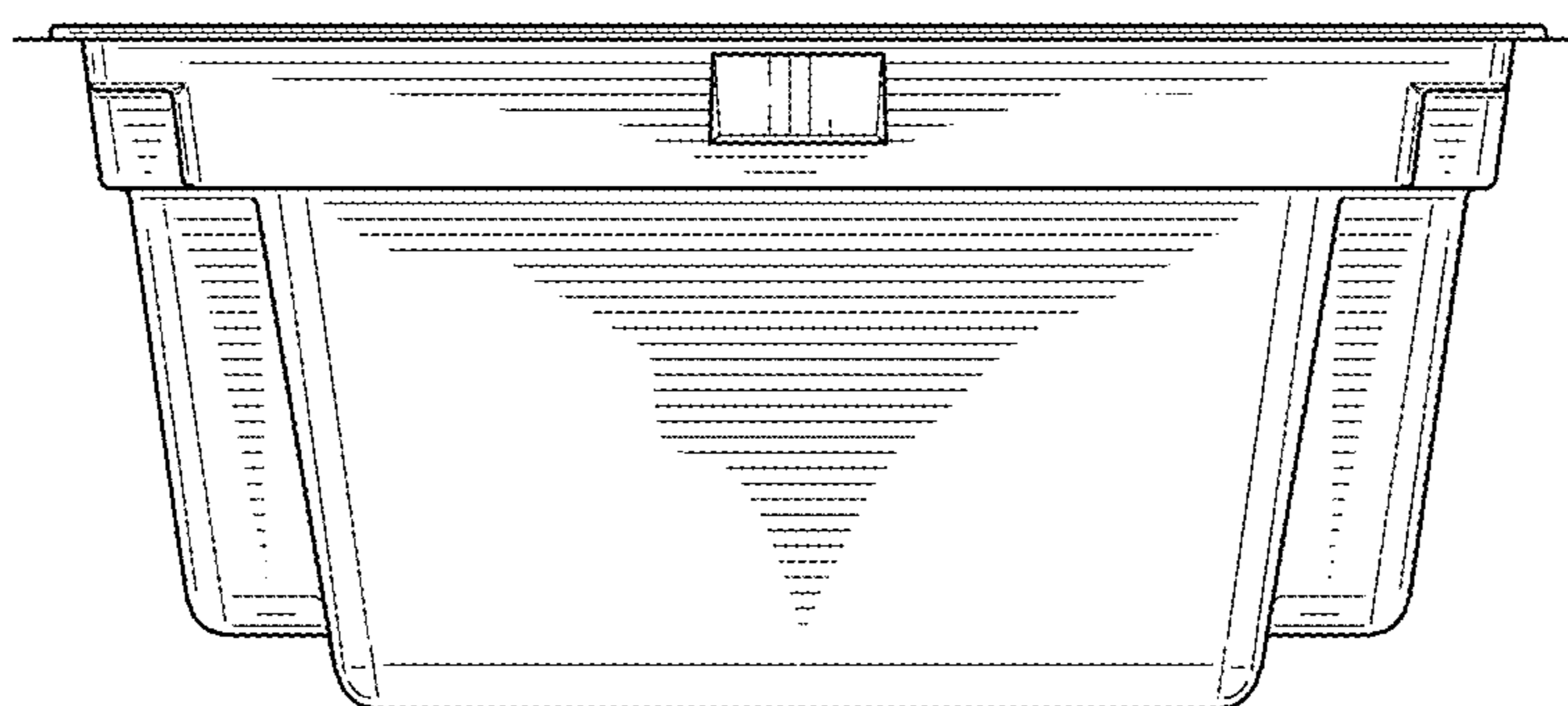


FIG. 5

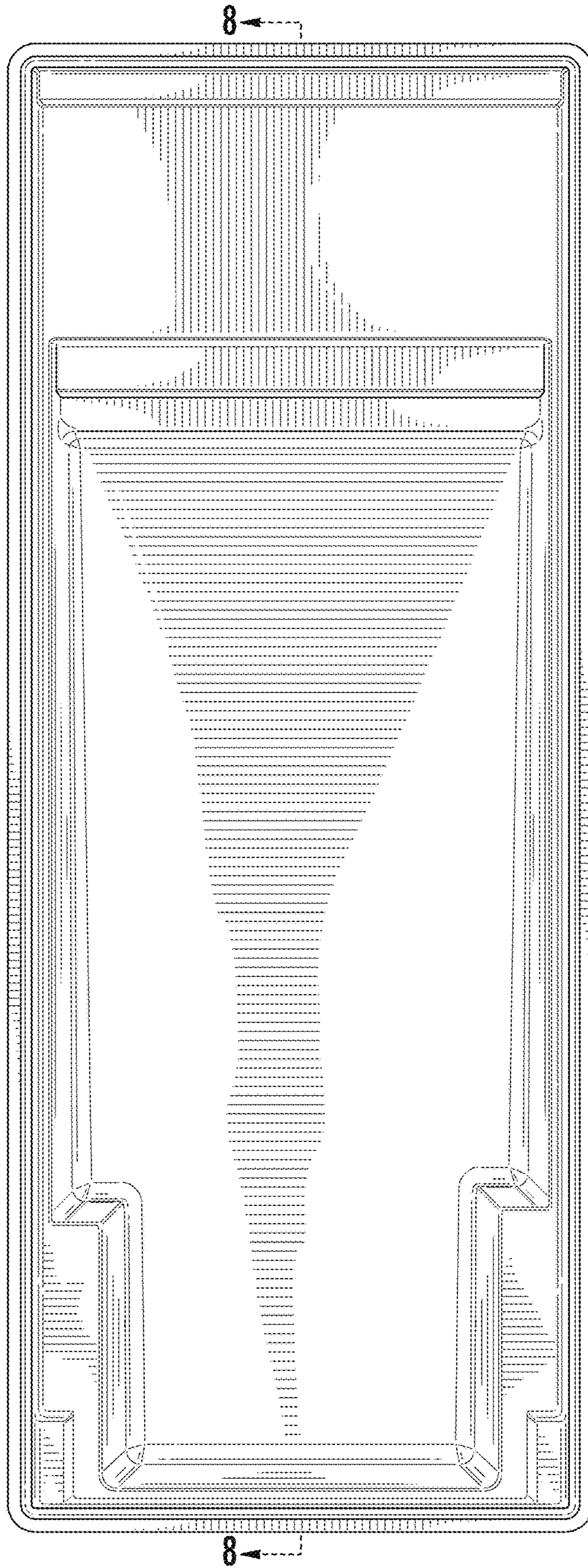


FIG. 6

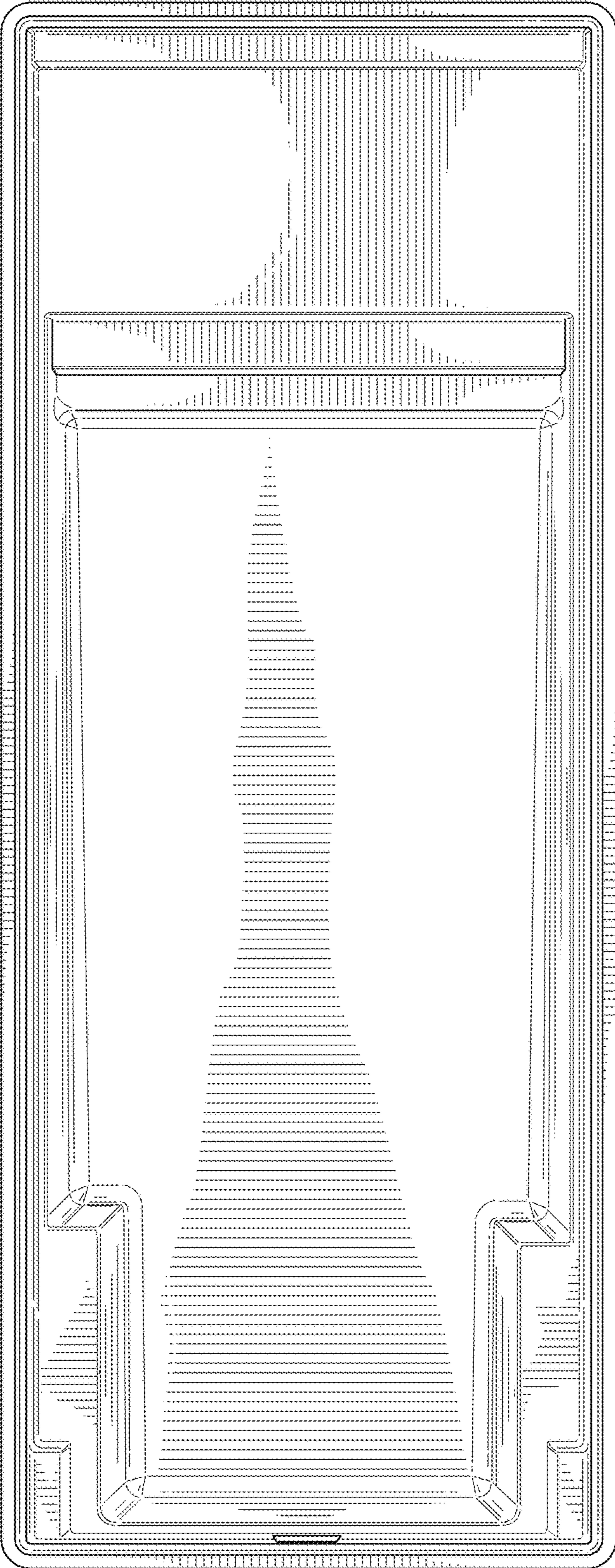


FIG. 7

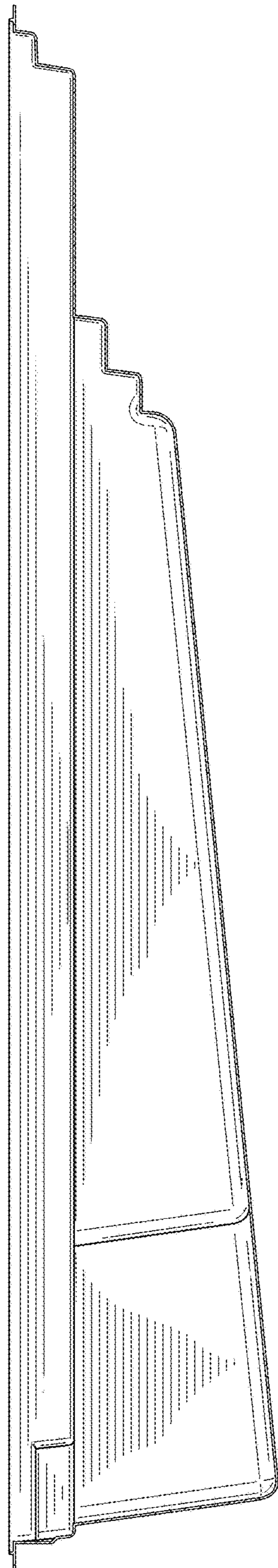


FIG. 8