



US00D791964S

(12) **United States Design Patent**
Lui

(10) **Patent No.:** **US D791,964 S**
(45) **Date of Patent:** **** Jul. 11, 2017**

(54) **SHIPPING CONTAINER**

(71) Applicant: **Theranos, Inc.**, Palo Alto, CA (US)

(72) Inventor: **Clarissa Lui**, Palo Alto, CA (US)

(73) Assignee: **Theranos, Inc.**, Palo Alto, CA (US)

(**) Term: **15 Years**

(21) Appl. No.: **29/568,769**

(22) Filed: **Jun. 21, 2016**

Related U.S. Application Data

(63) Continuation of application No. 29/529,095, filed on Jun. 3, 2015, now Pat. No. Des. 762,875, which is a continuation of application No. 29/466,710, filed on Sep. 10, 2013, now Pat. No. Des. 733,317, which is a continuation-in-part of application No. 29/466,440, filed on Sep. 8, 2013, now Pat. No. Des. 732,686, and a continuation-in-part of application No. 29/466,441, filed on Sep. 8, 2013, now Pat. No. Des. 733,314.

(51) **LOC (10) Cl.** **24-02**

(52) **U.S. Cl.**
USPC **D24/227**

(58) **Field of Classification Search**

USPC D24/216, 217, 224-232, 131;
D3/203.1-203.6, 272; D9/420, 423, 430,
D9/432, 424, 732, 629, 429; 220/793,
220/839, 258.3; 206/83, 528, 438, 63.5,
206/815, 508; 422/560-564; 435/305.1,
435/288.3, 288.4; D7/629

CPC B65D 2543/00296; B65D 43/162; B65D
51/20; B65D 85/42; A61C 19/008; A61C
19/02; A61F 2/0095; B01L 9/06; B01L
3/5085; C12M 1/24; C12M 23/08

See application file for complete search history.

(56) **References Cited**

U.S. PATENT DOCUMENTS

D264,810 S 6/1982 Voltmann
4,401,229 A 8/1983 Bell et al.
D271,239 S 11/1983 Lemieux et al.
D278,412 S 4/1985 Yeung
D280,015 S 8/1985 Sarajian
D282,577 S 2/1986 Neumeister

(Continued)

OTHER PUBLICATIONS

Notice of Allowance dated Oct. 5, 2015 for U.S. Appl. No. 29/528,999.

(Continued)

Primary Examiner — Ian Simmons
Assistant Examiner — Mark Cavanna

(57) **CLAIM**

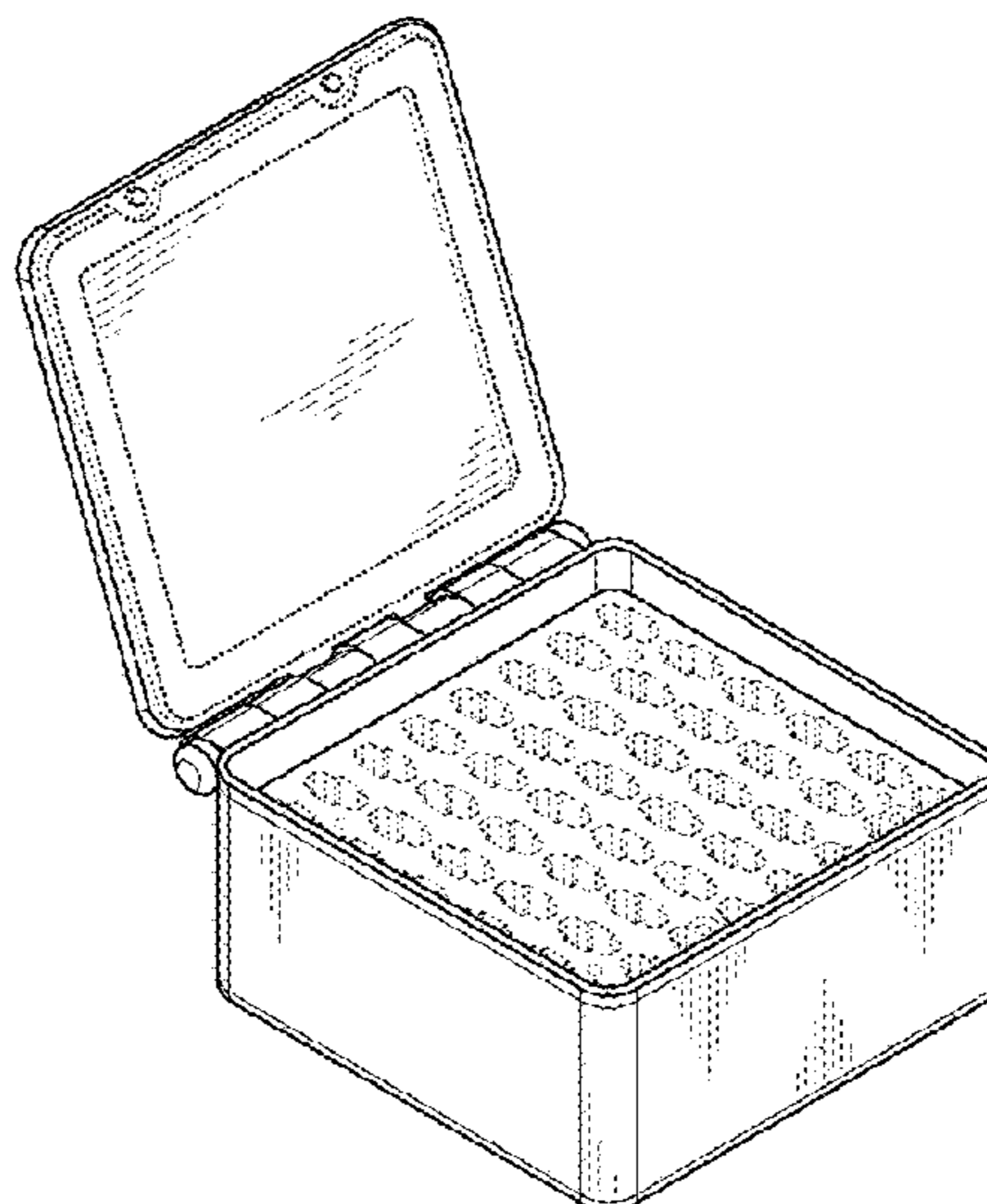
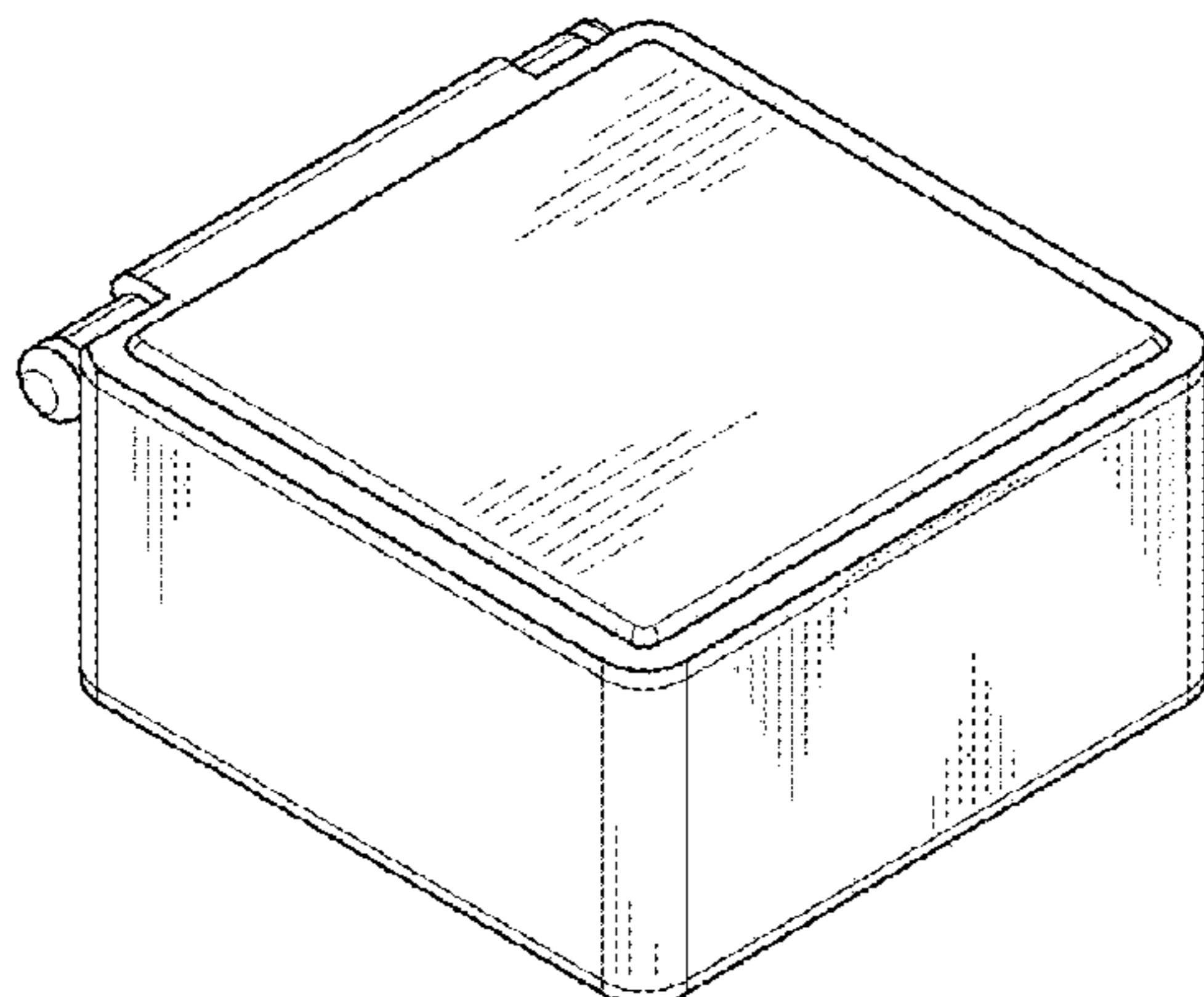
The ornamental design for a shipping container, as shown and described.

DESCRIPTION

FIG. 1 is a top perspective view of a shipping container with a closed lid, showing our new design; FIG. 2 is an enlarged side view thereof, with lid closed; FIG. 3 is a top view thereof with lid closed; FIG. 4 is an enlarged rear view thereof, with lid closed; and FIG. 5 is a bottom perspective view thereof with lid closed; FIG. 6 is a top perspective view of a shipping container with an open lid; FIG. 7 is a side view thereof, with an open lid; FIG. 8 is an enlarged top view thereof with an open lid; FIG. 9 is a rear view thereof, with an open lid; and, FIG. 10 is a bottom perspective view thereof with an open lid.

The broken lines are included for the purpose of illustrating unclaimed portions of the shipping container and form no part of the claimed design.

1 Claim, 5 Drawing Sheets



(56)

References Cited

U.S. PATENT DOCUMENTS

D295,074 S 4/1988 Jerge et al.
 D299,955 S 2/1989 Kendrick
 D316,146 S 4/1991 Payne et al.
 5,012,928 A 5/1991 Proffitt et al.
 D324,819 S 3/1992 Eisenberg
 5,204,130 A 4/1993 McDevitt et al.
 D352,116 S 11/1994 Kienholz
 D376,647 S 12/1996 Marsh et al.
 5,906,292 A 5/1999 Rider
 D411,308 S 6/1999 Pandey et al.
 D423,111 S 4/2000 Davis et al.
 D476,423 S 6/2003 Picot et al.
 D484,797 S 1/2004 Kipperman et al.
 D487,315 S 3/2004 Picot et al.
 6,875,405 B1 4/2005 Mathus et al.
 D525,714 S 7/2006 Ueda
 D526,064 S 8/2006 Wood
 D529,622 S 10/2006 Hadjis et al.
 D543,120 S 5/2007 Coe et al.
 D551,515 S 9/2007 Ablo et al.
 D574,505 S 8/2008 Muller-Cohn et al.
 D593,207 S 5/2009 Ayliffe
 D618,516 S 6/2010 DiPietro et al.
 D664,845 S 8/2012 Everson
 8,460,622 B2 6/2013 Motadel
 D698,938 S 2/2014 Fonseca
 D699,370 S 2/2014 Motadel et al.

D707,847 S 6/2014 Motadel et al.
 D711,549 S 8/2014 Trump
 D711,550 S 8/2014 Trump
 D724,236 S * 3/2015 Motadel D24/227
 D732,686 S 6/2015 Lui
 D733,314 S 6/2015 Lui
 D733,315 S 6/2015 Lui
 D733,316 S 6/2015 Lui
 D733,317 S 6/2015 Lui
 D733,318 S 6/2015 Lui
 D743,047 S * 11/2015 Asao D24/226
 D750,423 S * 3/2016 Shirley D7/391
 D755,578 S * 5/2016 Wu D7/629
 D756,627 S * 5/2016 Lande D3/203.2
 D762,875 S 8/2016 Lui
 2007/0012710 A1 1/2007 Vovan

OTHER PUBLICATIONS

Notice of Allowance dated Mar. 29, 2016 for U.S. Appl. No. 29/529,095.
 Office Action dated Oct. 10, 2014 for U.S. Appl. No. 29/466,739.
 Office Action dated Oct. 2, 2014 for U.S. Appl. No. 29/466,443.
 Office Action dated Oct. 2, 2014 for U.S. Appl. No. 29/466,710.
 Office Action dated Oct. 3, 2014 for U.S. Appl. No. 29/466,440.
 Office Action dated Oct. 3, 2014 for U.S. Appl. No. 29/466,441.
 Office Action dated Oct. 5, 2015 for U.S. Appl. No. 29/529,095.
 Office Action dated Oct. 8, 2014 for U.S. Appl. No. 29/466,442.

* cited by examiner

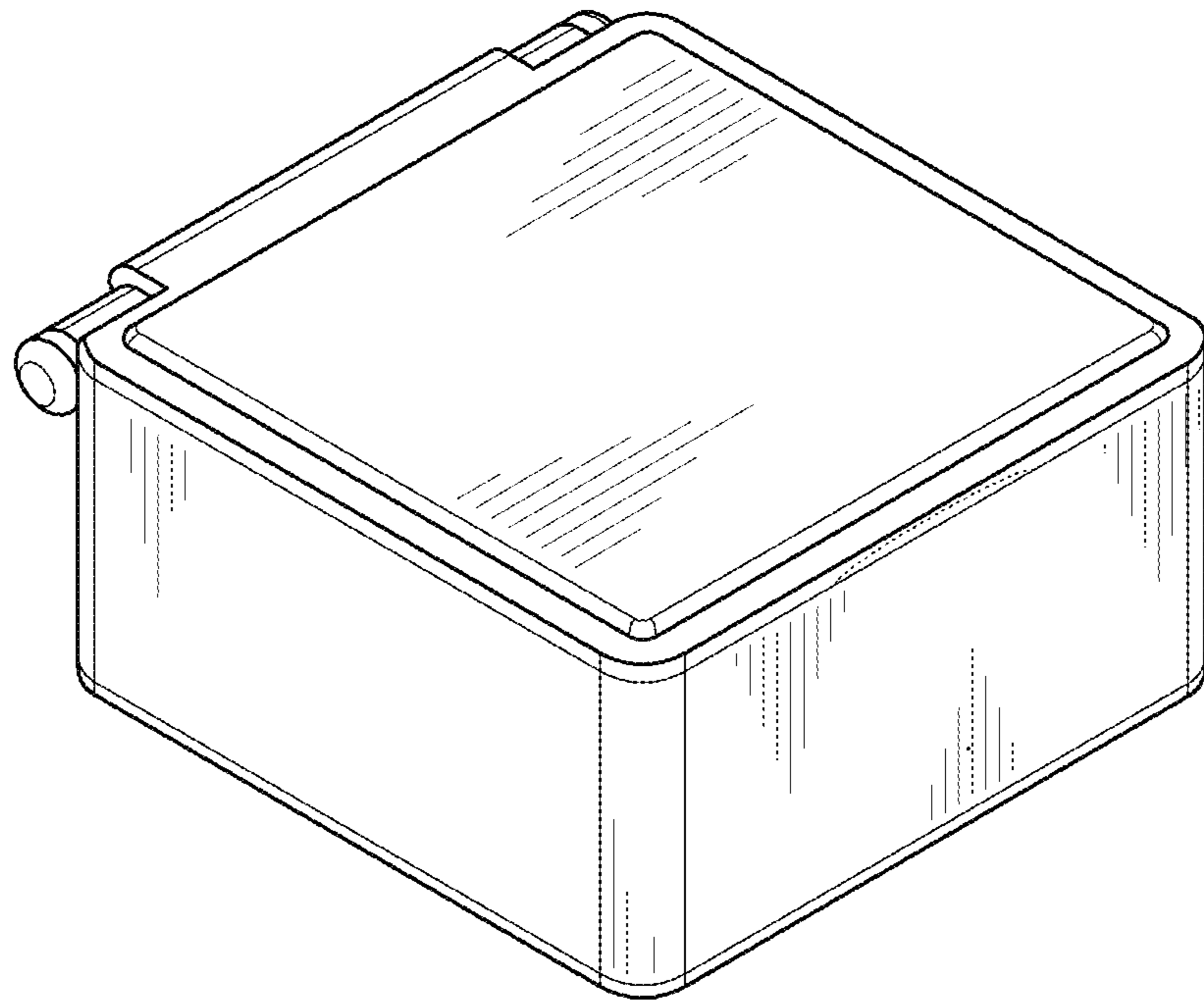


FIG. 1

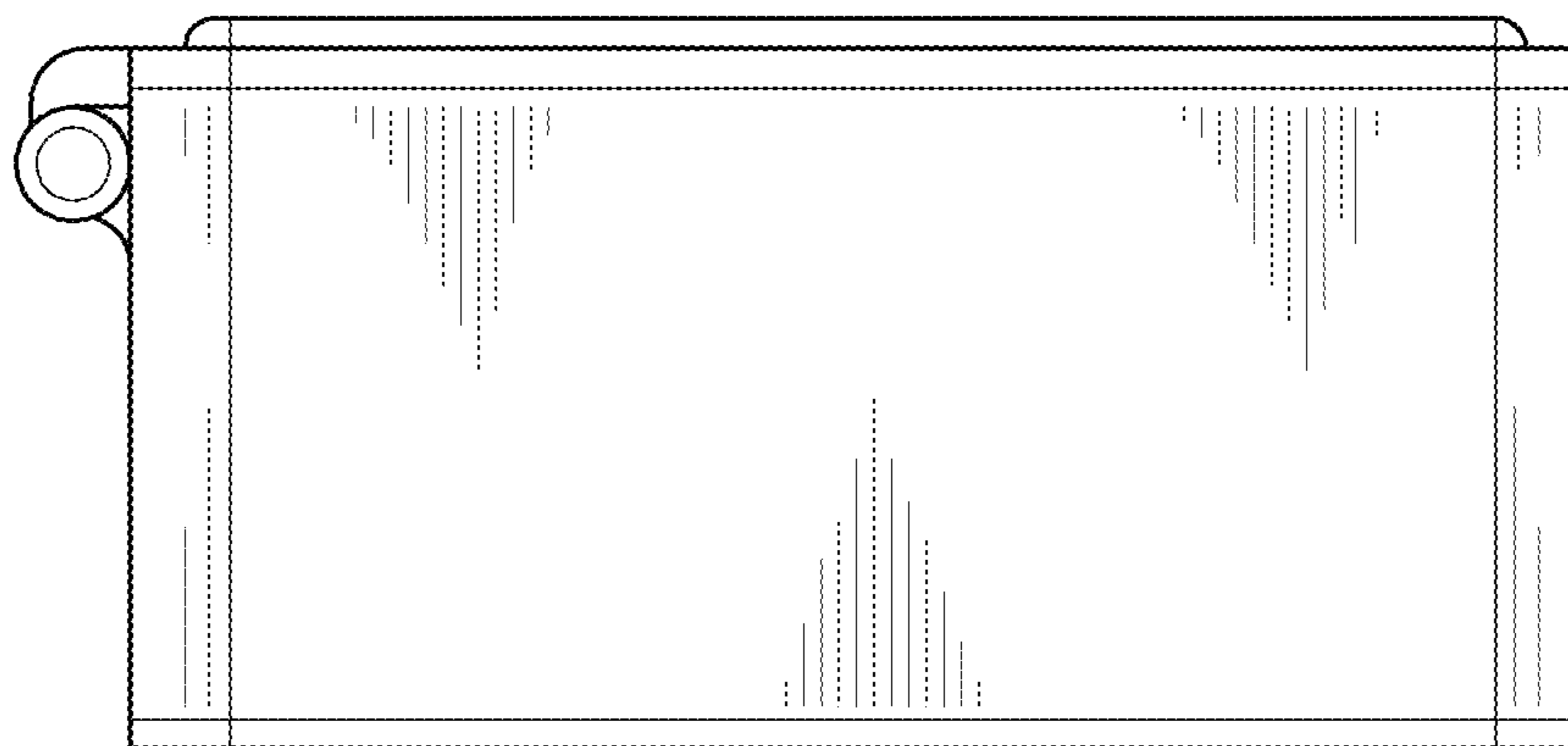


FIG. 2

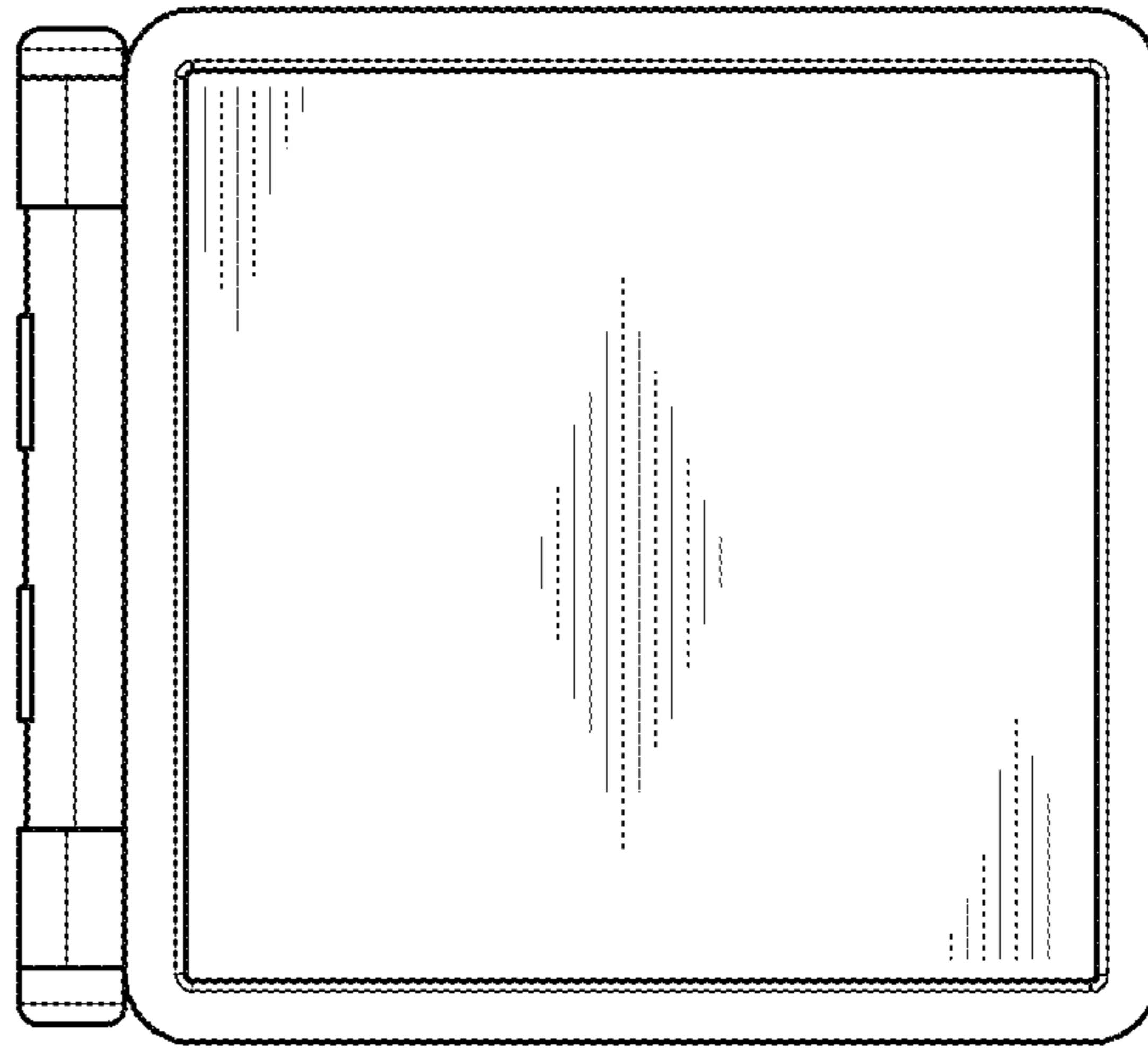


FIG. 3

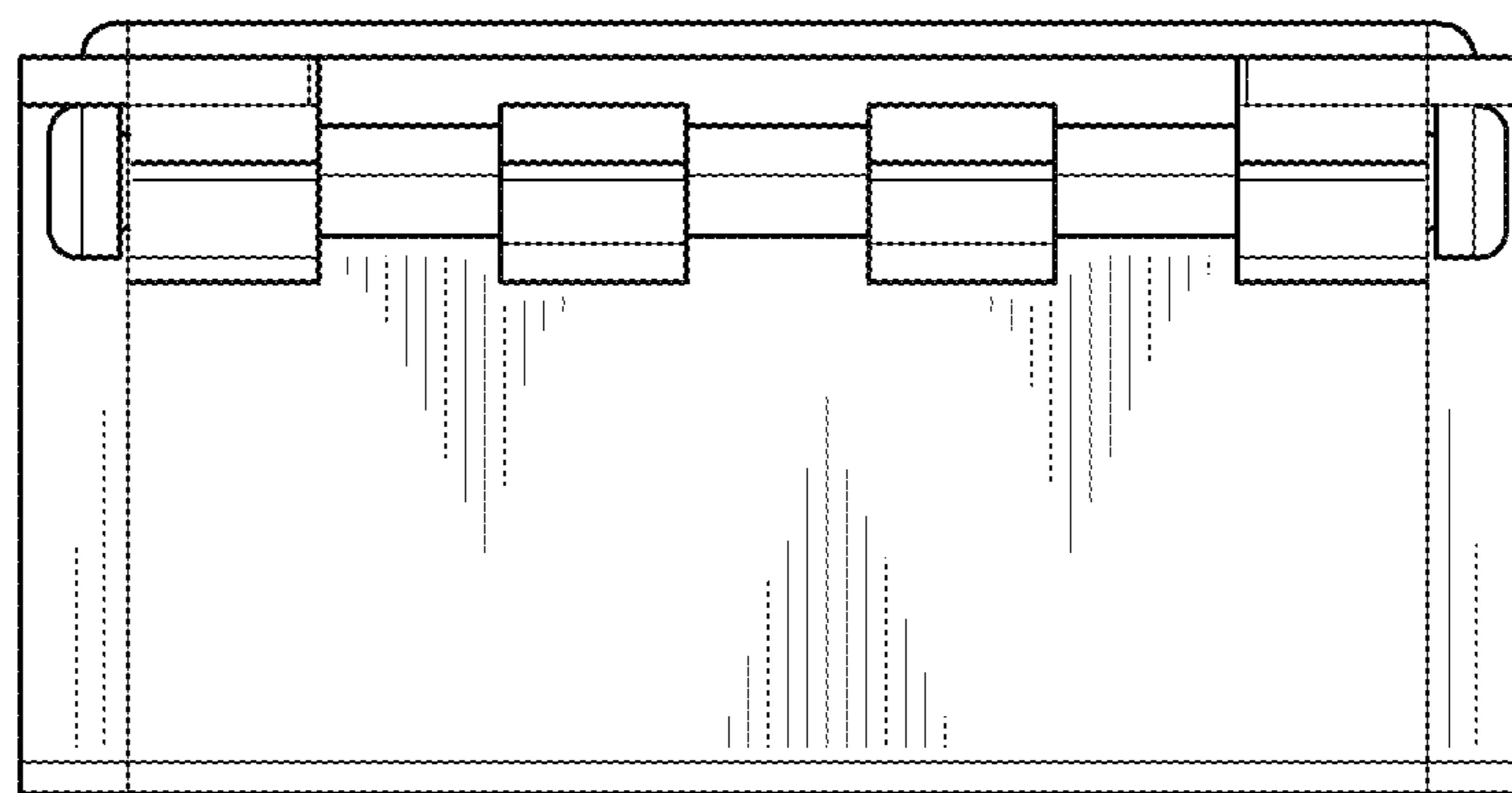


FIG. 4

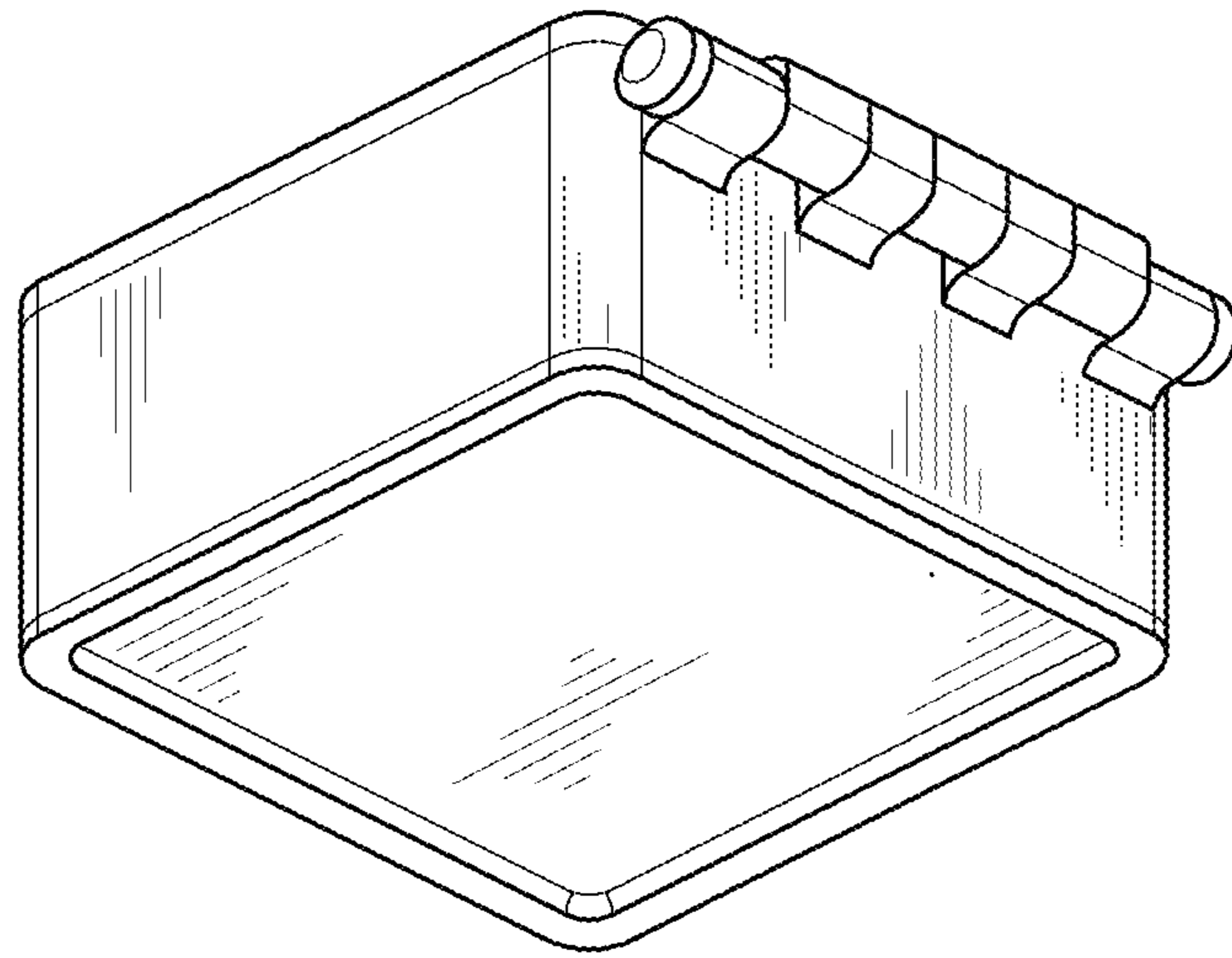


FIG. 5

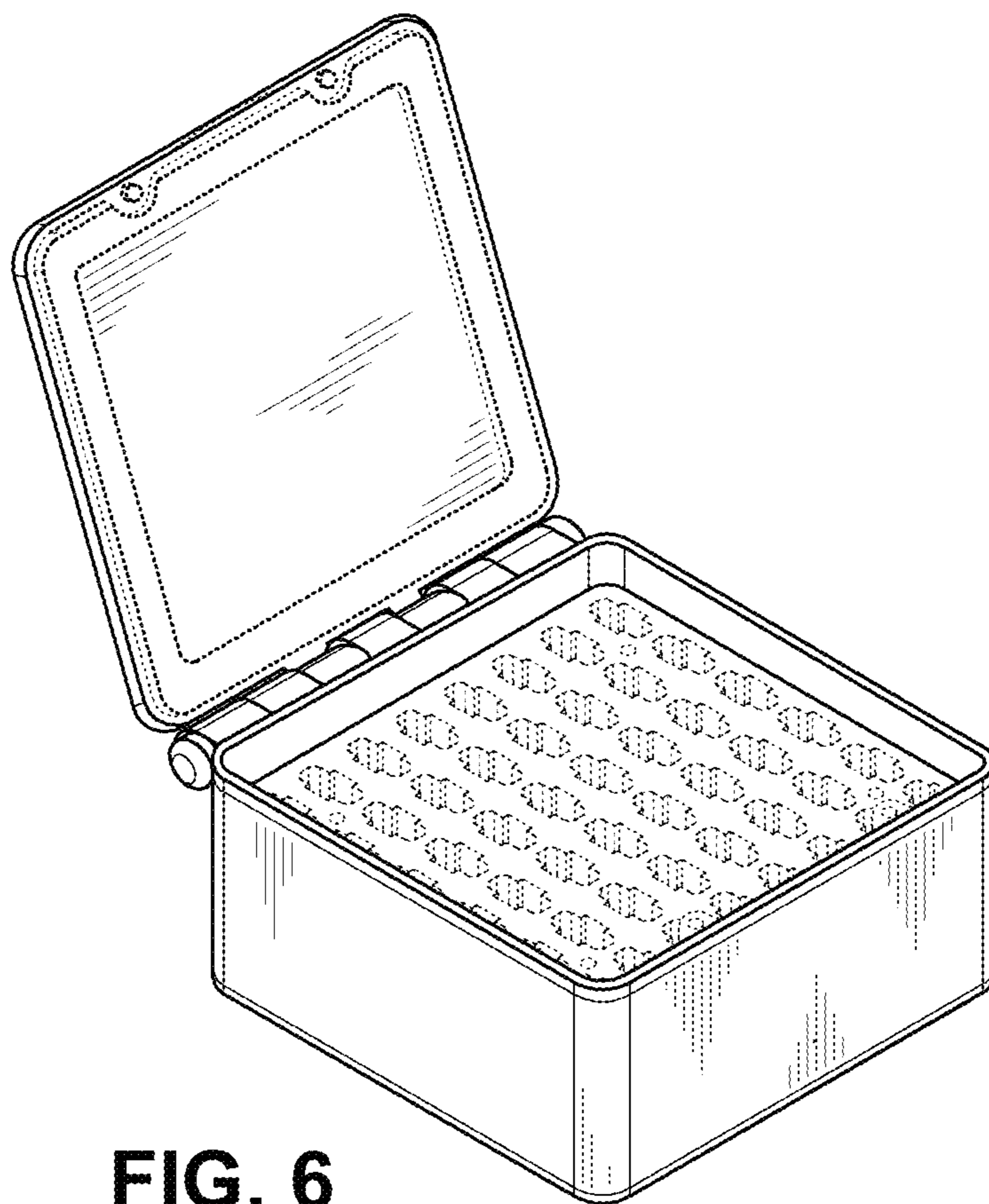


FIG. 6

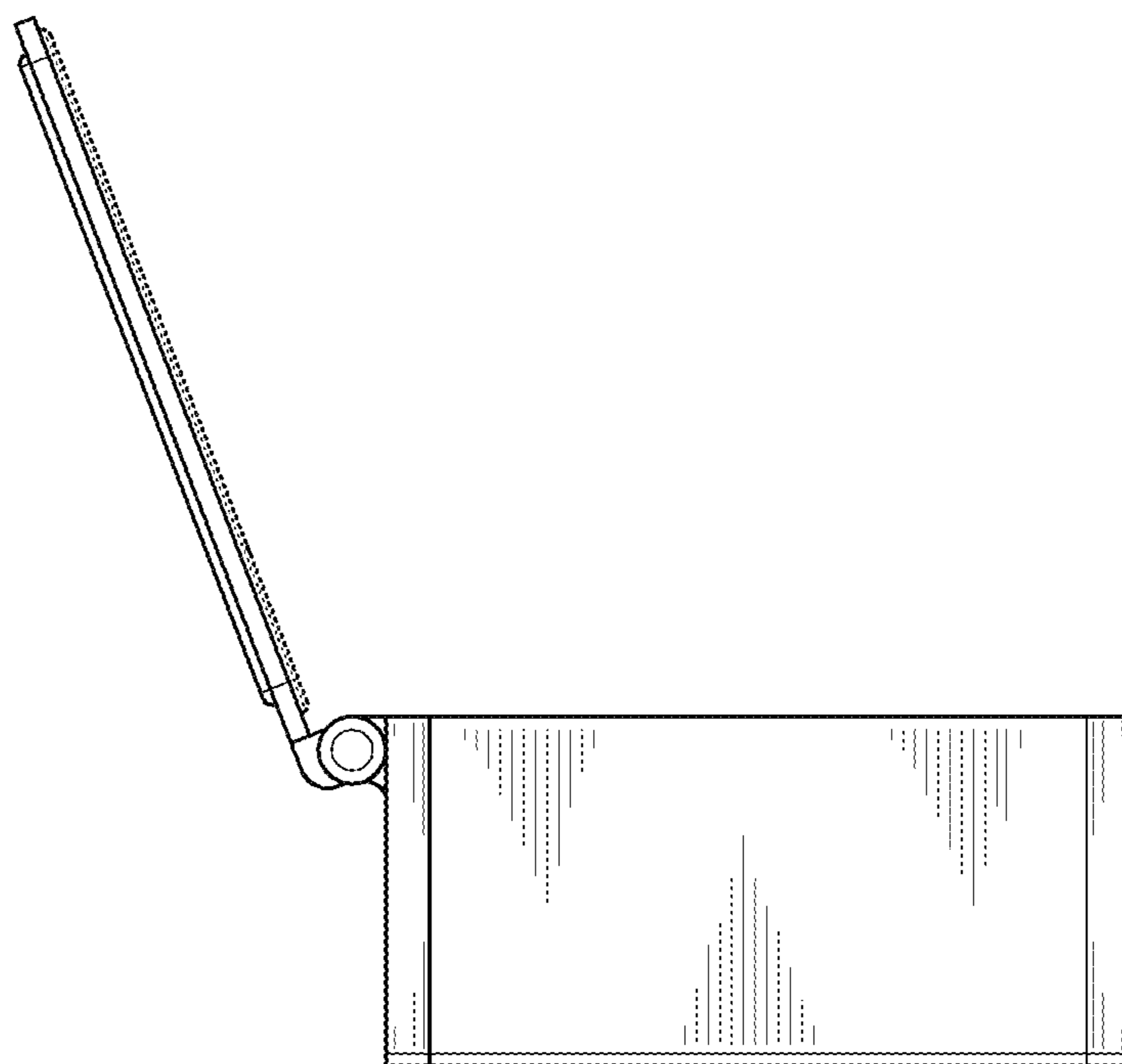


FIG. 7

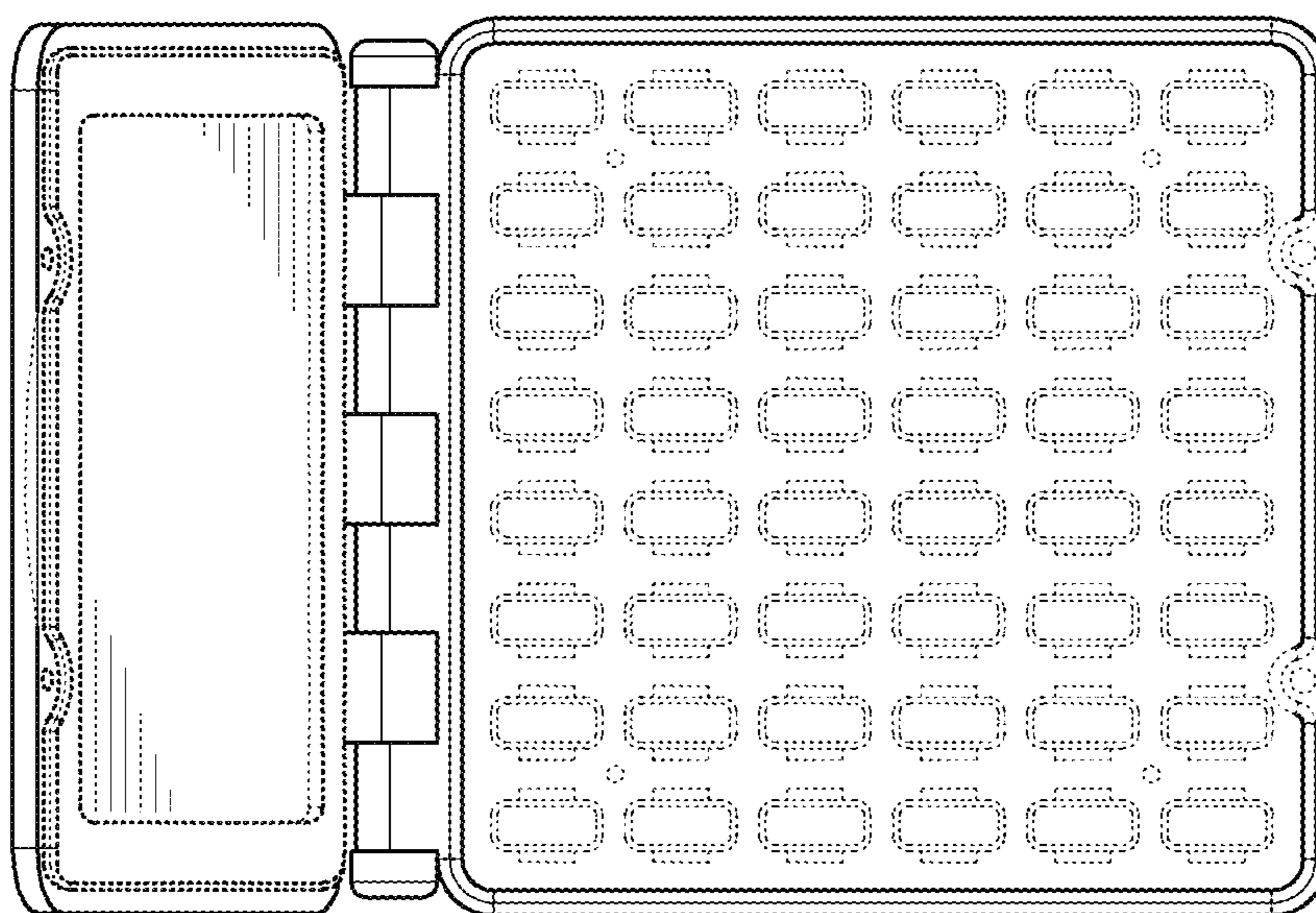


FIG. 8

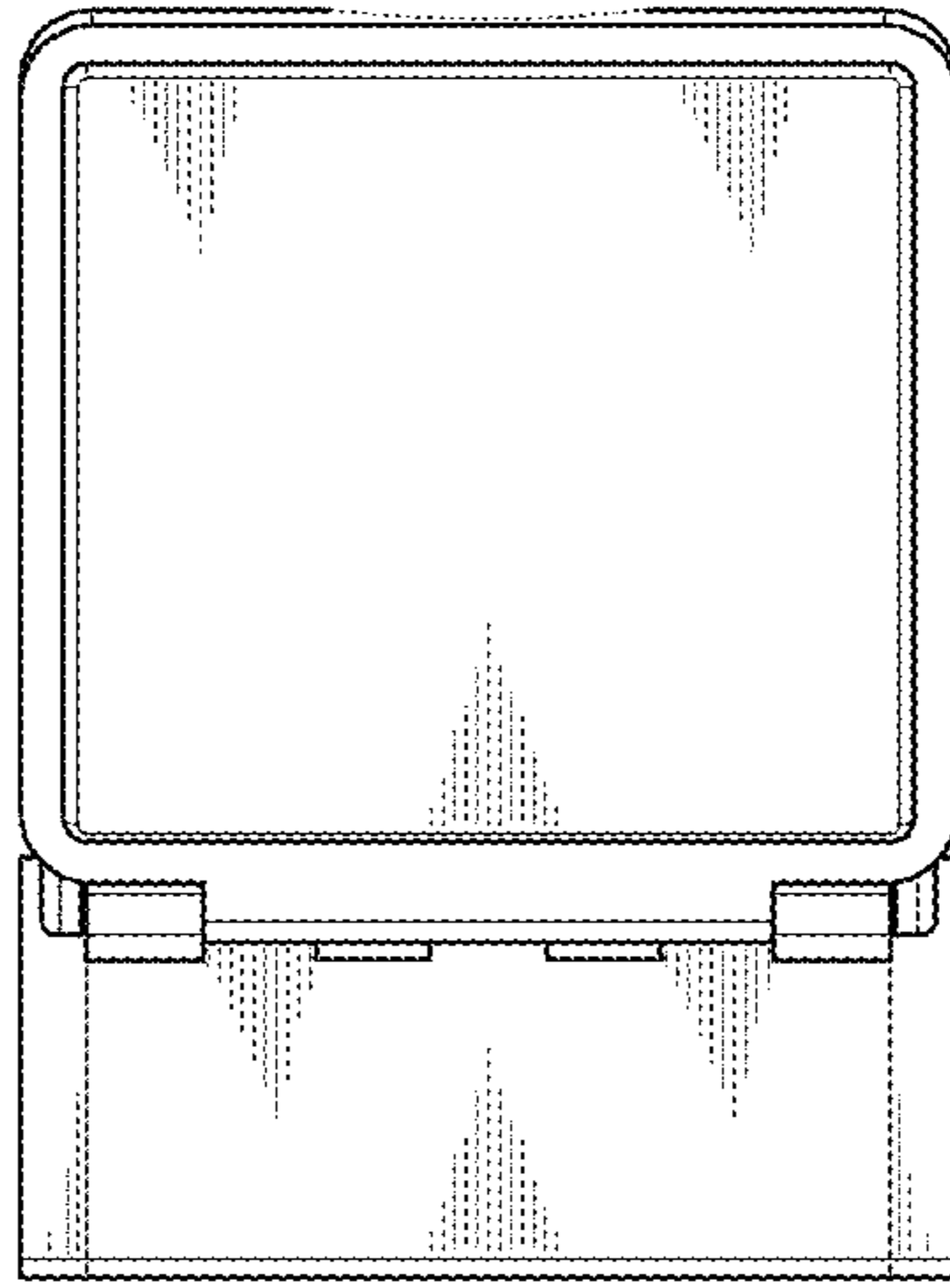


FIG. 9

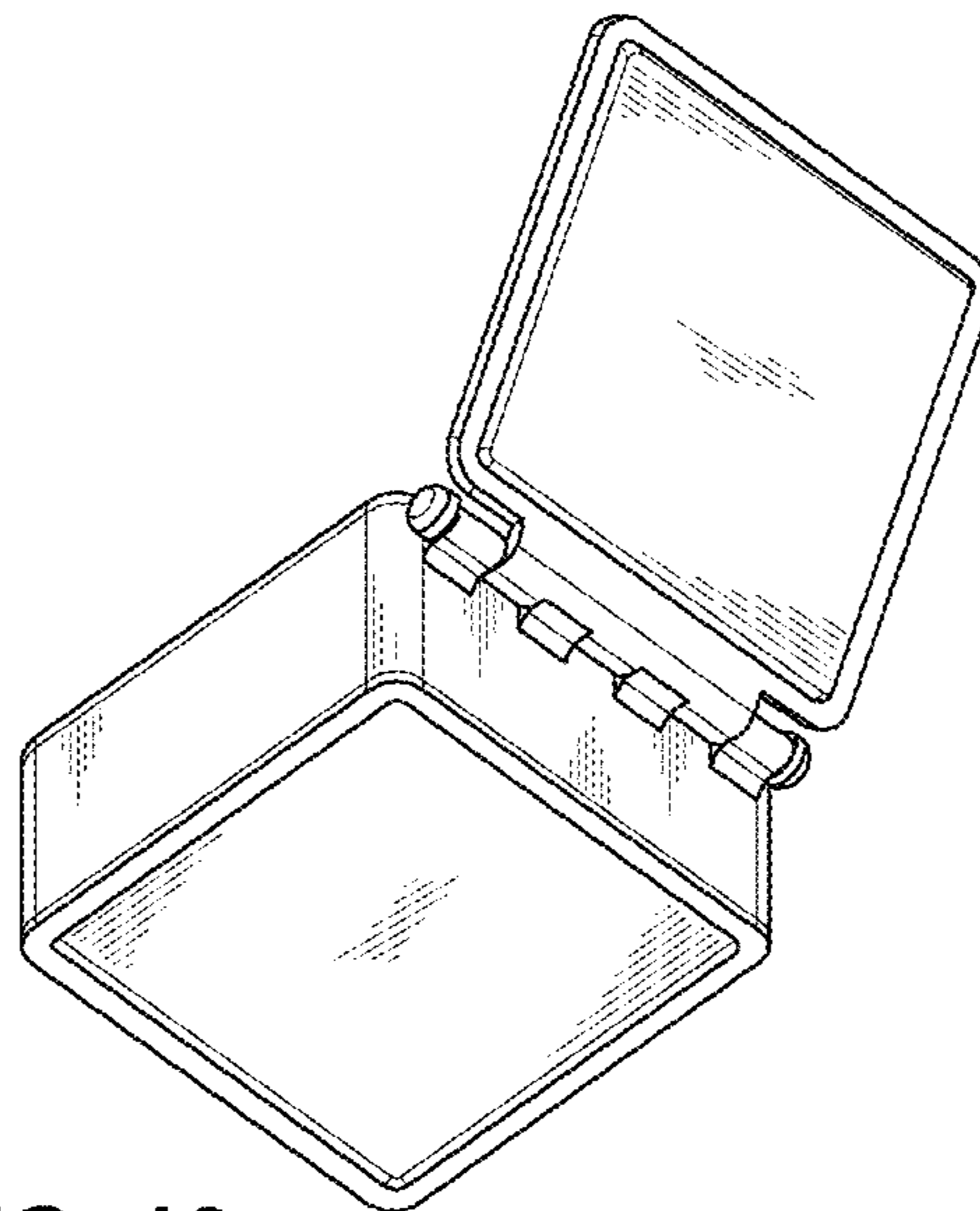


FIG. 10