



US00D791963S

(12) **United States Design Patent** (10) **Patent No.:** **US D791,963 S**  
**Orcutt** (45) **Date of Patent:** **\*\* Jul. 11, 2017**

(54) **LASER HOLDER FOR CHROMATOGRAPHIC EQUIPMENT**

D776,744 S \* 1/2017 Park ..... D16/230  
 2012/0198485 A1\* 8/2012 Nishidate ..... G11B 7/123  
 720/689

(71) Applicant: **Matthew Orcutt**, Fort Wayne, IN (US)

\* cited by examiner

(72) Inventor: **Matthew Orcutt**, Fort Wayne, IN (US)

*Primary Examiner* — Wan Laymon

(\*\*) Term: **15 Years**

*Assistant Examiner* — Mark Booker

(21) Appl. No.: **29/563,337**

(22) Filed: **May 4, 2016**

(51) **LOC (10) Cl.** ..... **24-02**

(52) **U.S. Cl.**  
 USPC ..... **D24/216**

(58) **Field of Classification Search**

USPC ..... D24/216, 127, 128, 161, 199, 227;  
 D7/382, 403, 417, 612, 619.1, 619.2, 701,  
 D7/707, 708; D9/414, 432; D10/61, 74;  
 D12/415, 419-421; D8/75, 77, 78;  
 D16/230; 720/689

CPC ..... G11B 7/22; G11B 7/127; G11B 7/123;  
 H01S 5/02244; H01S 5/02208; H01S  
 5/02228; H01S 5/02212; H01S 5/024

See application file for complete search history.

(56) **References Cited**

U.S. PATENT DOCUMENTS

D562,164 S \* 2/2008 Sanders ..... D10/74  
 D738,202 S \* 9/2015 Stone ..... D9/418

(57) **CLAIM**

I claim the ornamental design for a laser holder for chromatographic equipment, as shown and described.

**DESCRIPTION**

FIG. 1 is a perspective view of a laser holder for chromatographic equipment showing my new design.

FIG. 2 is a side view thereof;

FIG. 3 is a further side view thereof;

FIG. 4 is a rear view thereof;

FIG. 5 is a front view thereof;

FIG. 6 is a top view thereof; and,

FIG. 7 is a bottom view thereof.

The broken lines are included for illustrating unclaimed portions of the laser holder for chromatographic equipment and form no part of the claimed design.

**1 Claim, 4 Drawing Sheets**

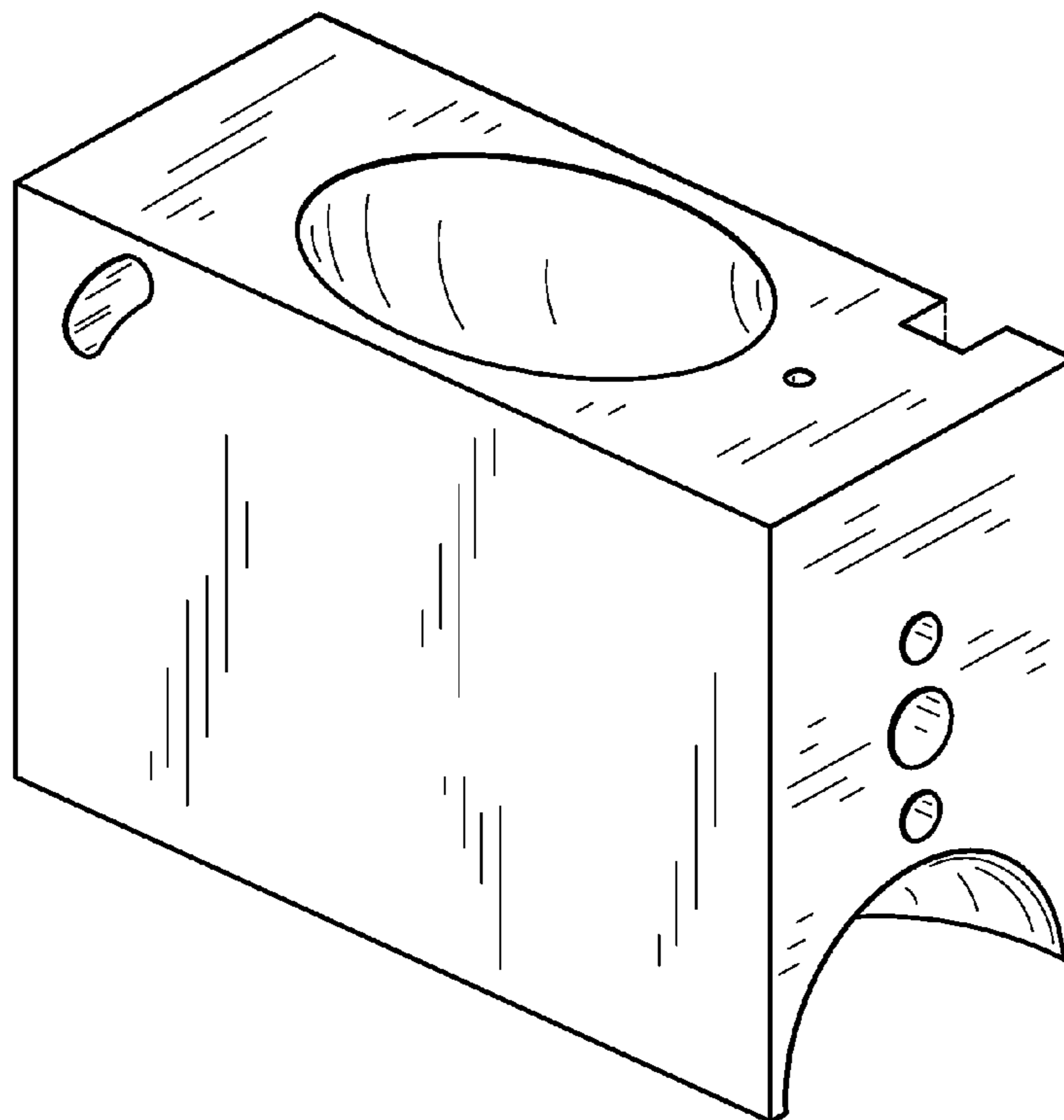


FIG. 1

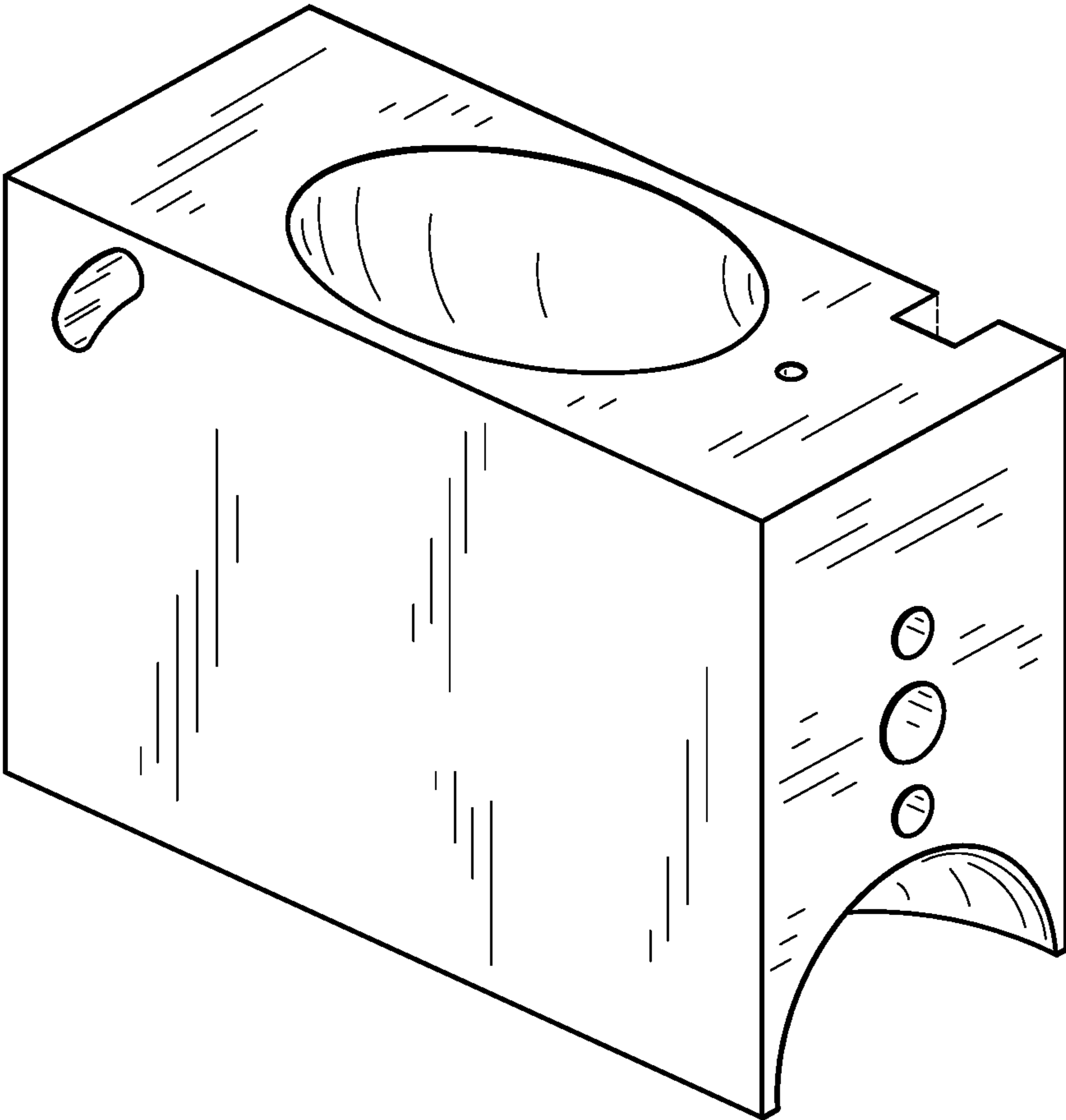


FIG. 2

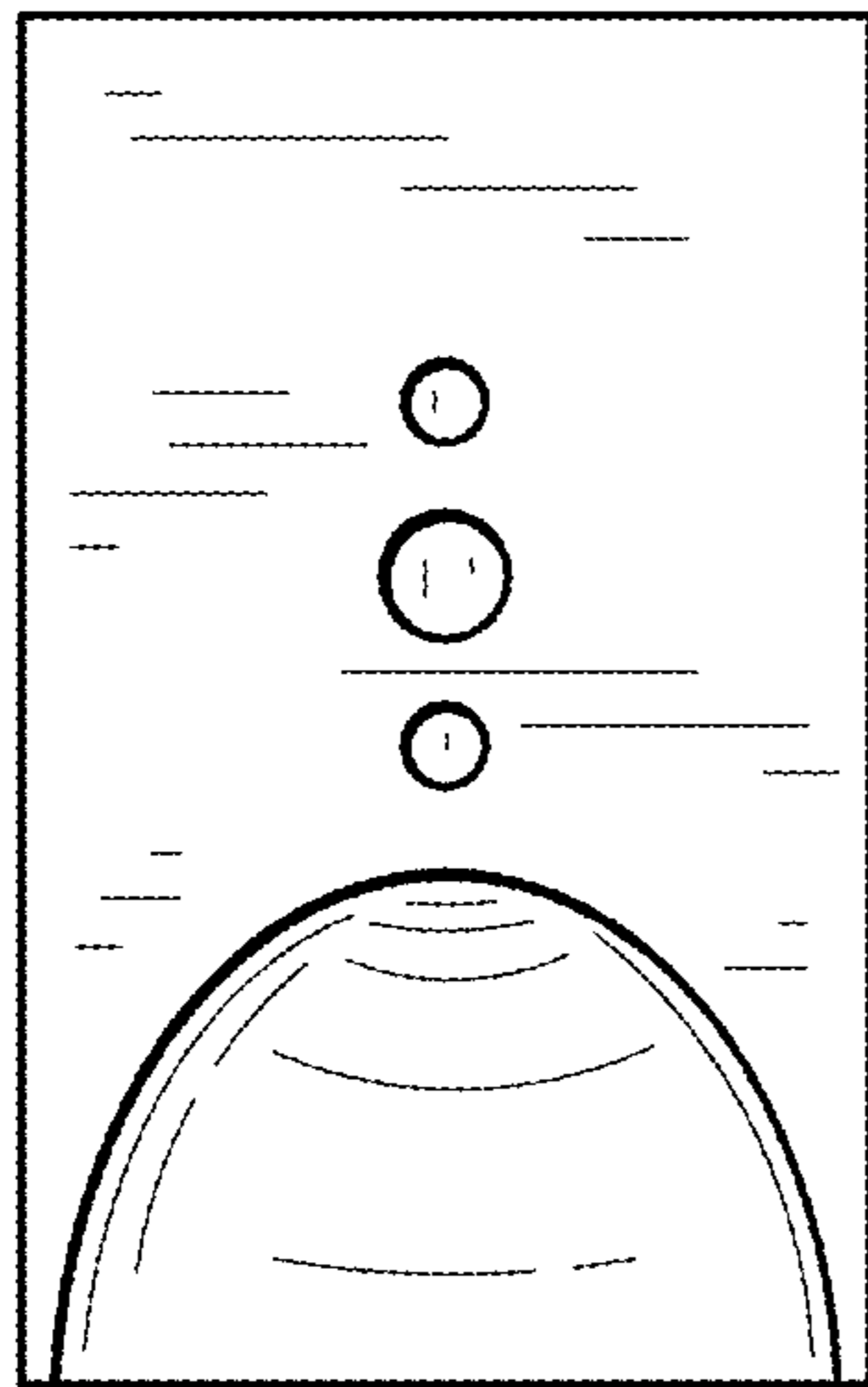


FIG. 3

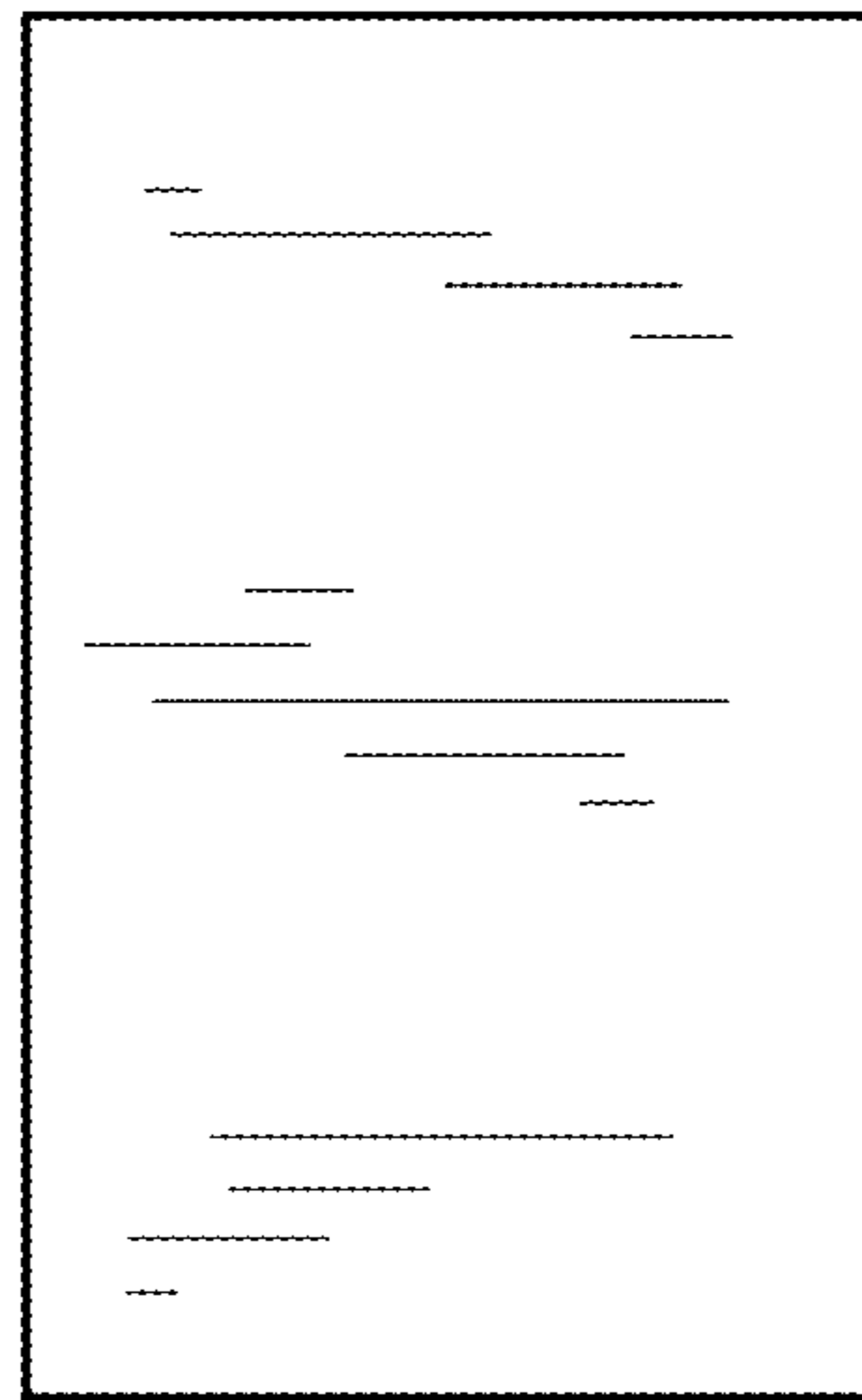


FIG. 4

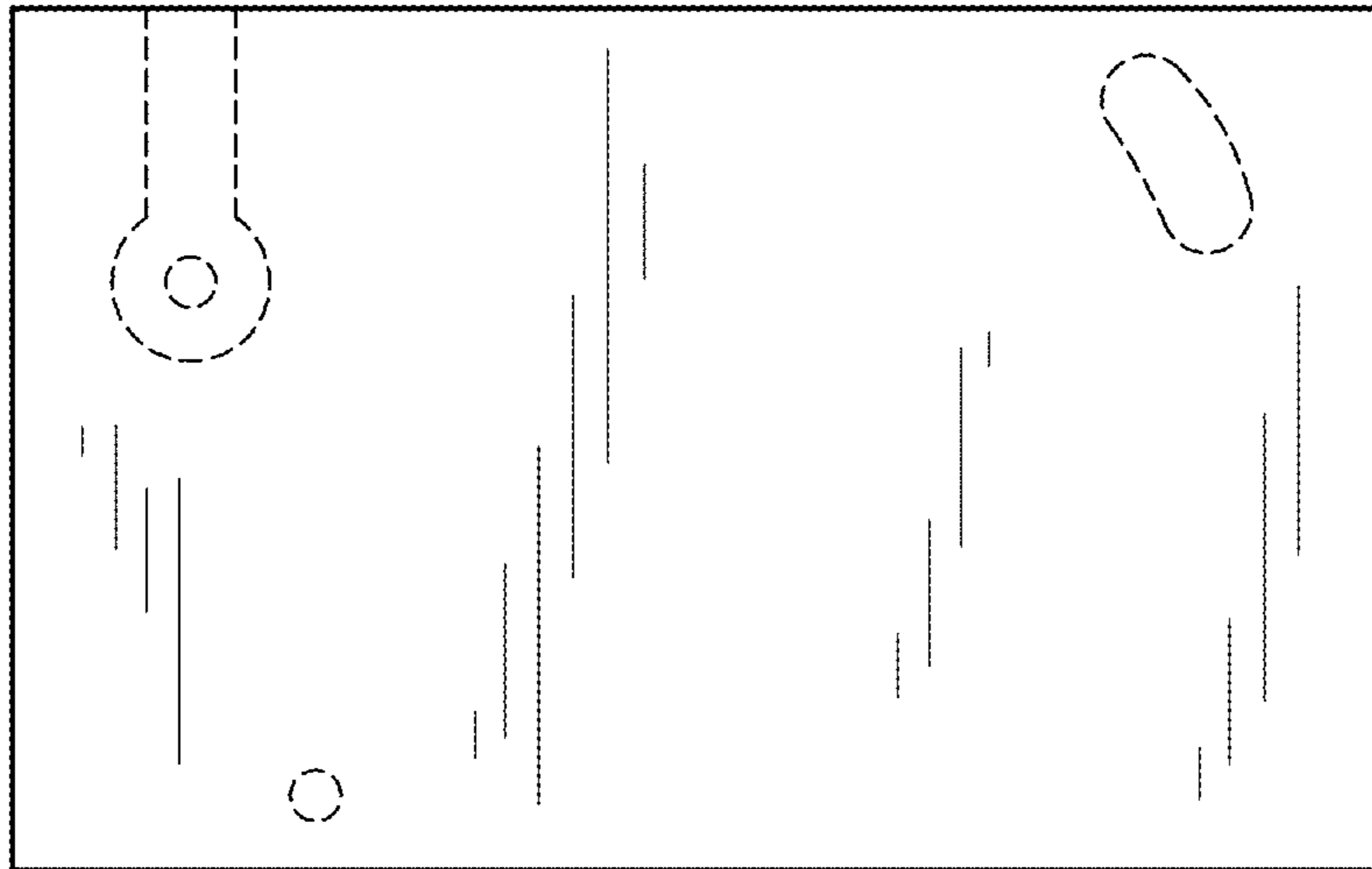


FIG. 5

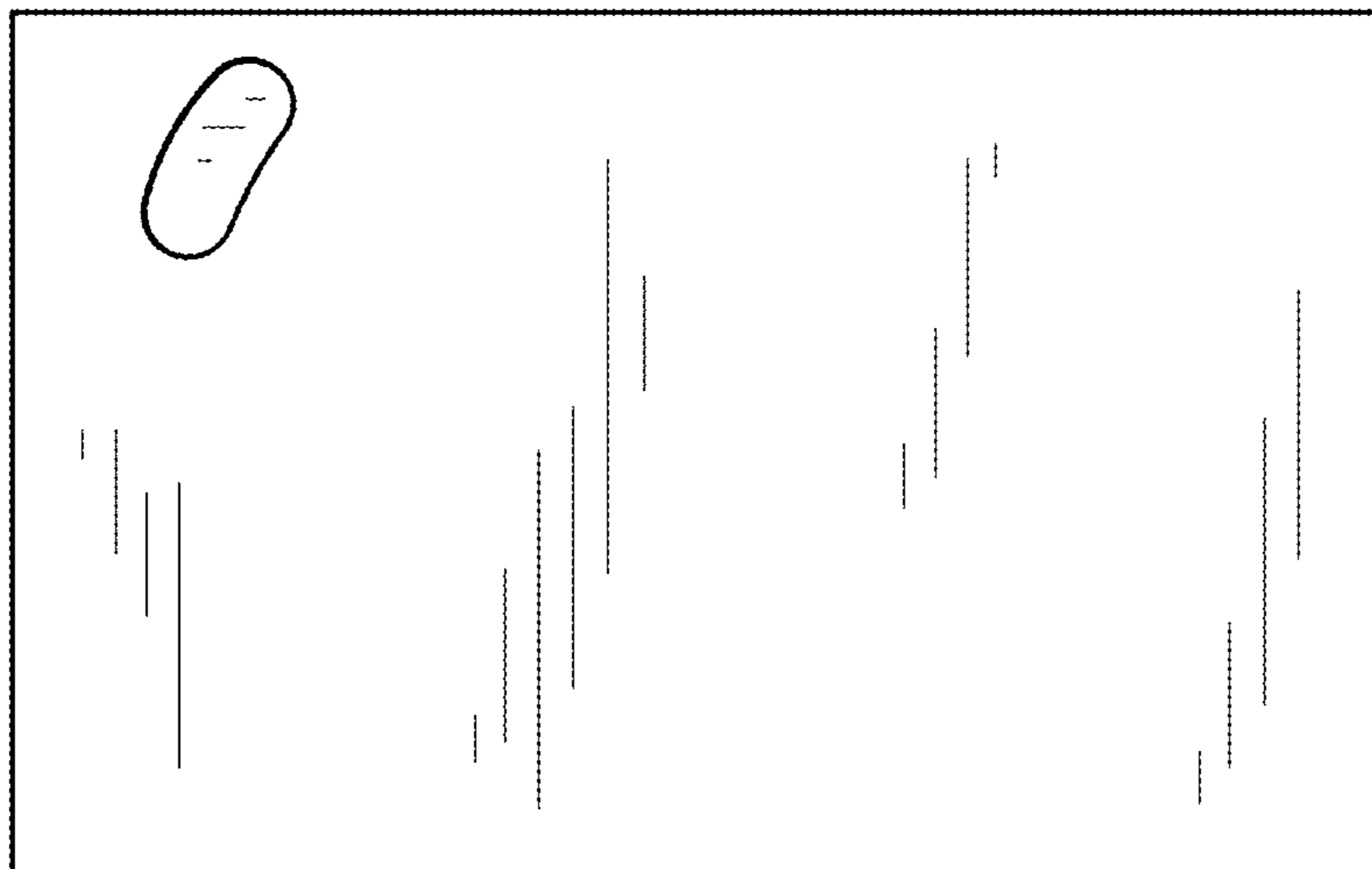


FIG. 6

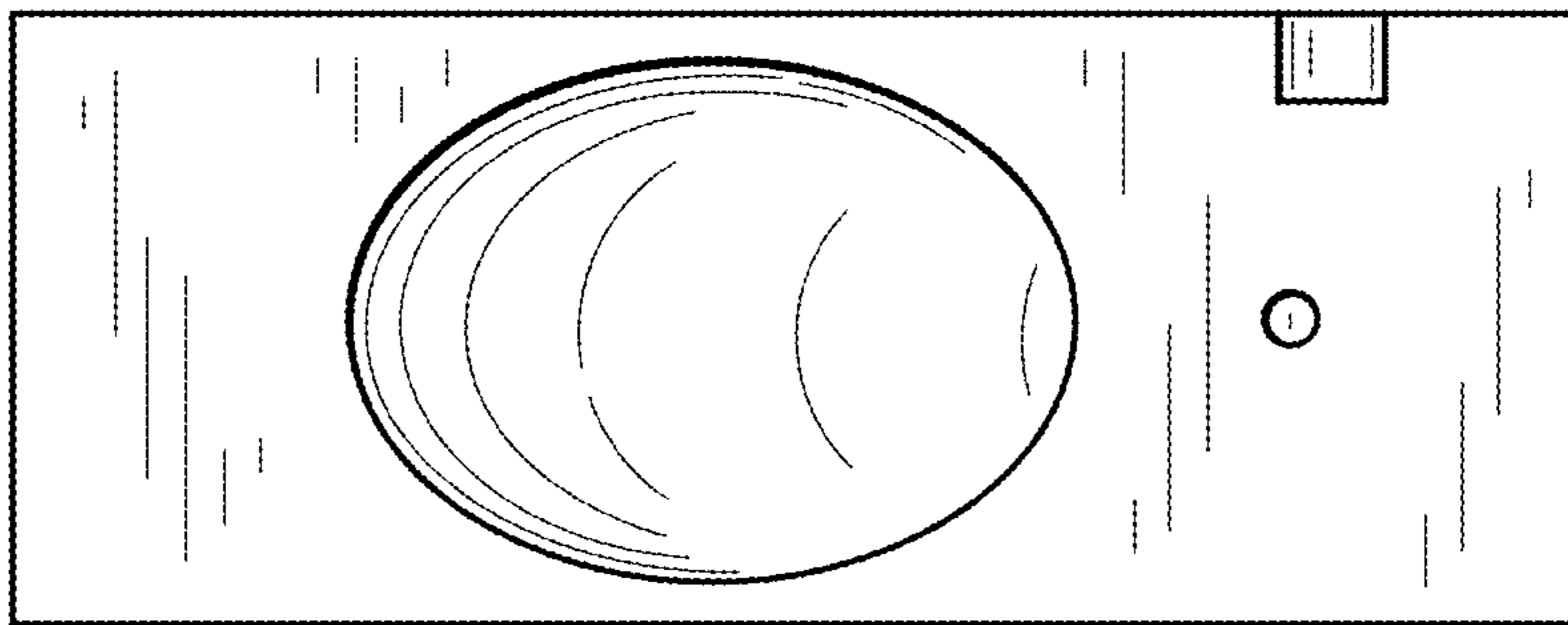


FIG. 7

