



US00D791960S

(12) **United States Design Patent**
Guanying

(10) **Patent No.:** **US D791,960 S**
(45) **Date of Patent:** **** Jul. 11, 2017**

(54) **LED INFRARED SKIN-TREATMENT DEVICE**

(71) Applicant: **OMM IMPORTS, INC.**, Doral, FL (US)

(72) Inventor: **Yao Guanying**, Zhongshan (CN)

(73) Assignee: **OMM Imports Inc.**, Doral, FL (US)

(**) Term: **15 Years**

(21) Appl. No.: **29/556,810**

(22) Filed: **Mar. 3, 2016**

(51) **LOC (10) Cl.** **28-03**

(52) **U.S. Cl.**
USPC **D24/209**

(58) **Field of Classification Search**
USPC D24/107, 186, 158, 231, 200, 209, 210,
D24/206, 214, 144; D26/37-39; D28/9,
D28/44.1

CPC A61N 5/0616; A61N 5/0617; A61N 5/062;
A61N 5/0627; A61N 5/0625; A61N
2005/0643; A61N 2005/0644; A61N
2005/0645; A61N 2005/0647; A61N
2005/0651; A61N 2005/0652; A61B
2018/00452; A61B 2018/1807

See application file for complete search history.

(56) **References Cited**

U.S. PATENT DOCUMENTS

D575,407 S * 8/2008 Treadwell D24/209
D596,748 S * 7/2009 Oberreiter D24/210

D612,510 S * 3/2010 Byle D24/210
D621,949 S * 8/2010 Seki D24/209
D621,950 S * 8/2010 Seki D24/209
D734,479 S * 7/2015 Youngquist D24/209
2008/0140164 A1* 6/2008 Oberreiter A61N 5/0616
607/88
2014/0128780 A1* 5/2014 Kennedy A61N 5/0616
601/18

* cited by examiner

Primary Examiner — Anhdao Doan

(74) *Attorney, Agent, or Firm* — Laurence A. Greenberg;
Werner H. Stemer; Ralph E. Locher

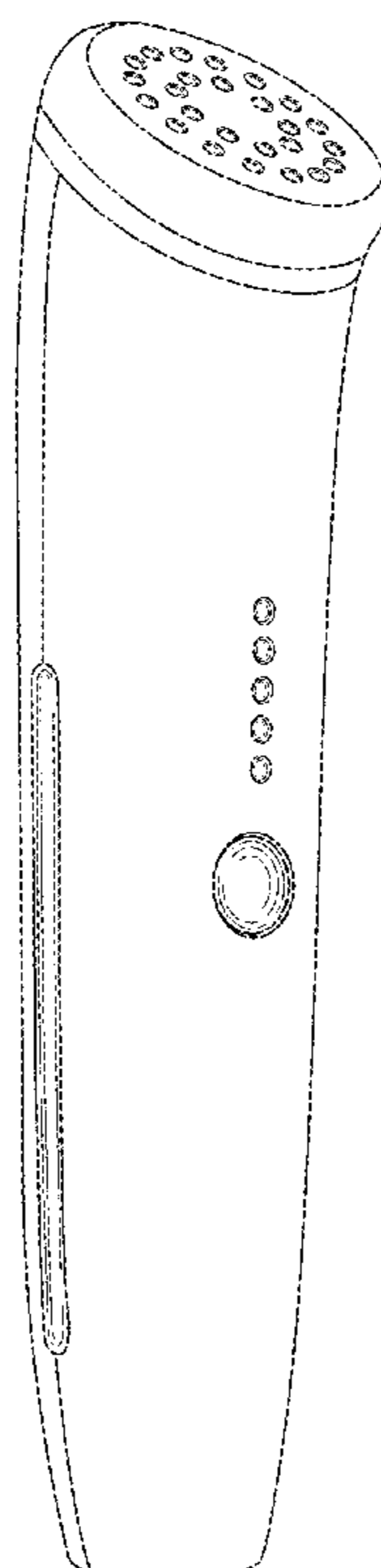
(57) **CLAIM**

The ornamental design for a LED infrared skin-treatment device, as shown and described.

DESCRIPTION

FIG. 1 is a front-elevational view of the LED infrared skin-treatment device showing my new invention; FIG. 2 is a rear-elevational view thereof; FIG. 3 is a right-side elevational view thereof; FIG. 4 is a left-side elevational view thereof; FIG. 5 is a perspective view thereof; FIG. 6 is an enlarged bottom-plan view thereof; and, FIG. 7 is an enlarged top-plan view thereof. The dashed lines show portions of the LED infrared skin-treatment device which form no part of the claimed design.

1 Claim, 6 Drawing Sheets



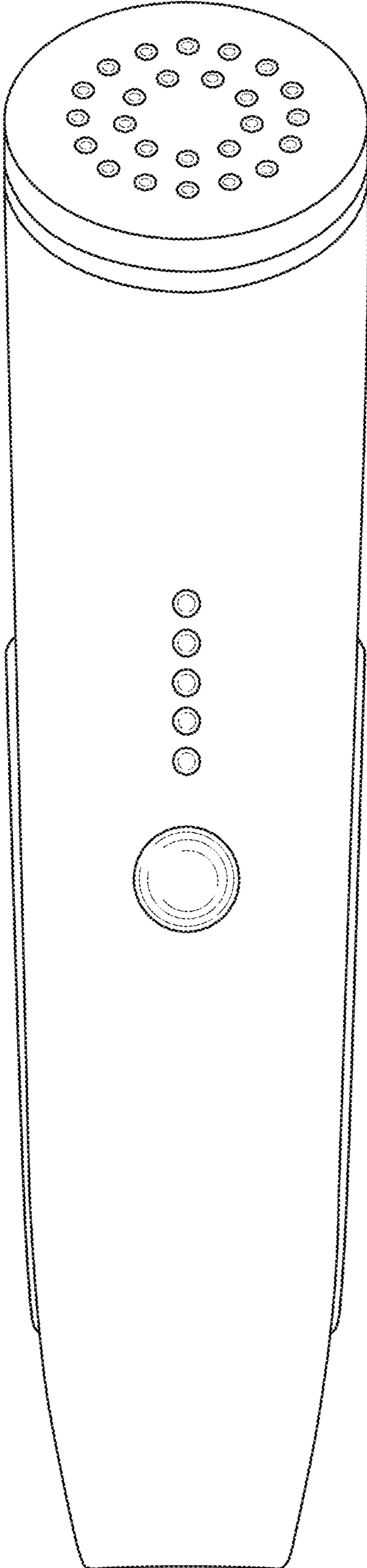


FIG. 1

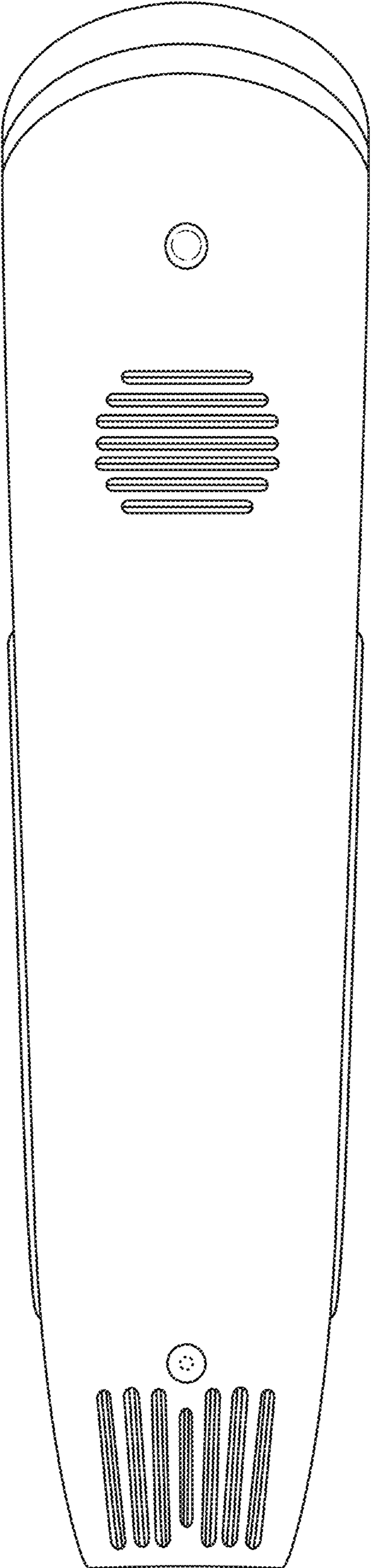


FIG. 2

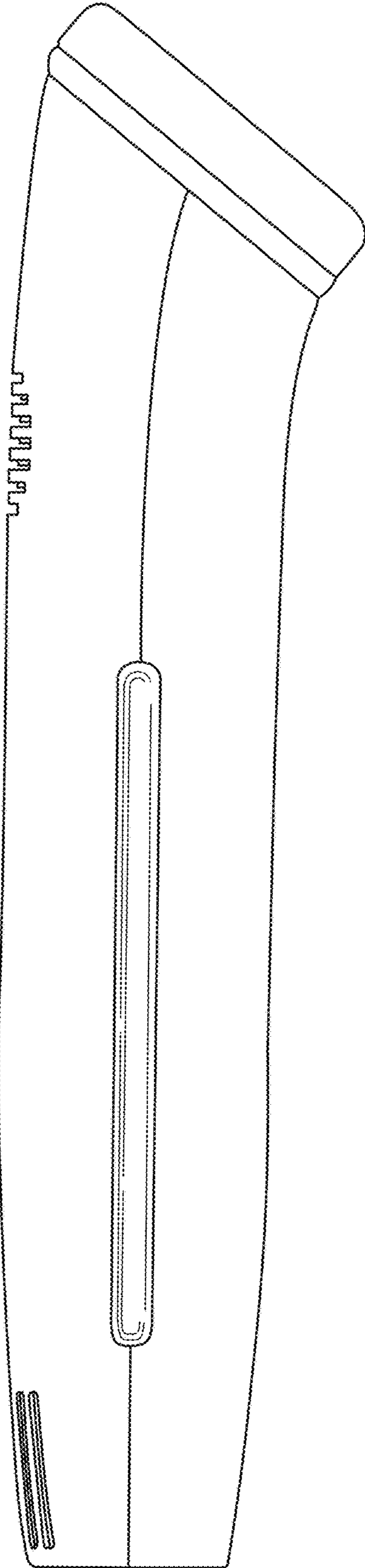


FIG. 3

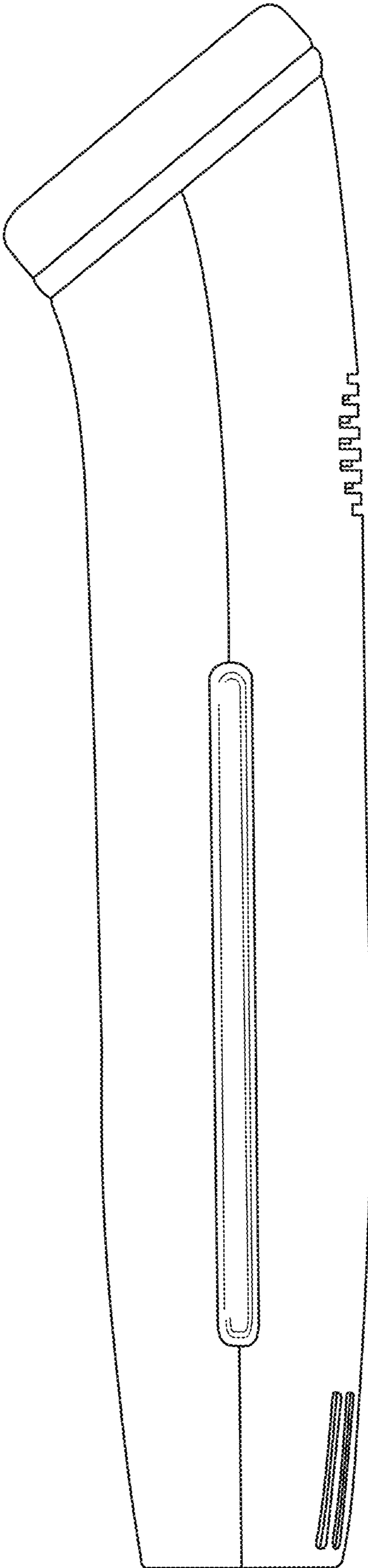


FIG. 4

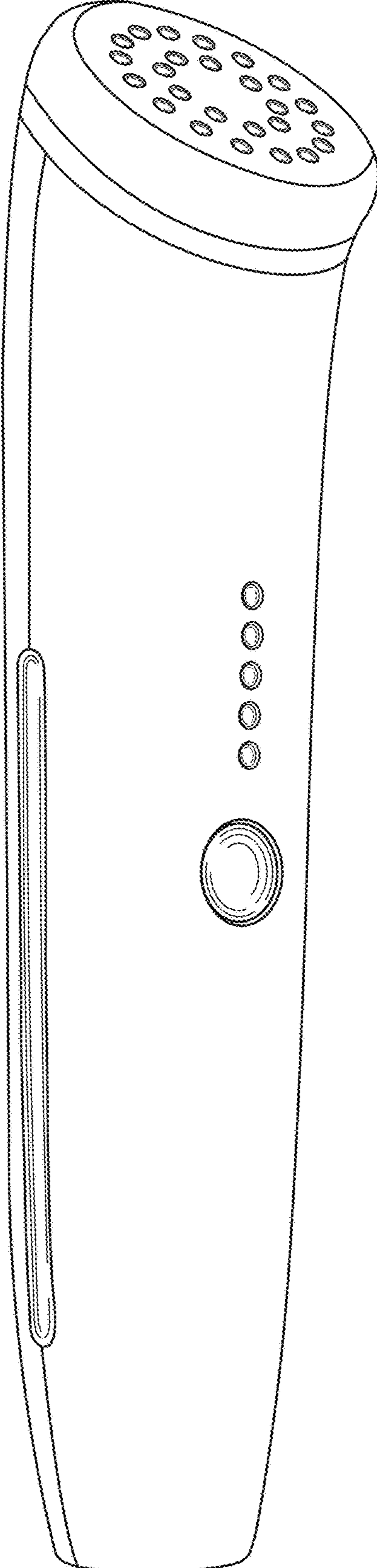


FIG. 5

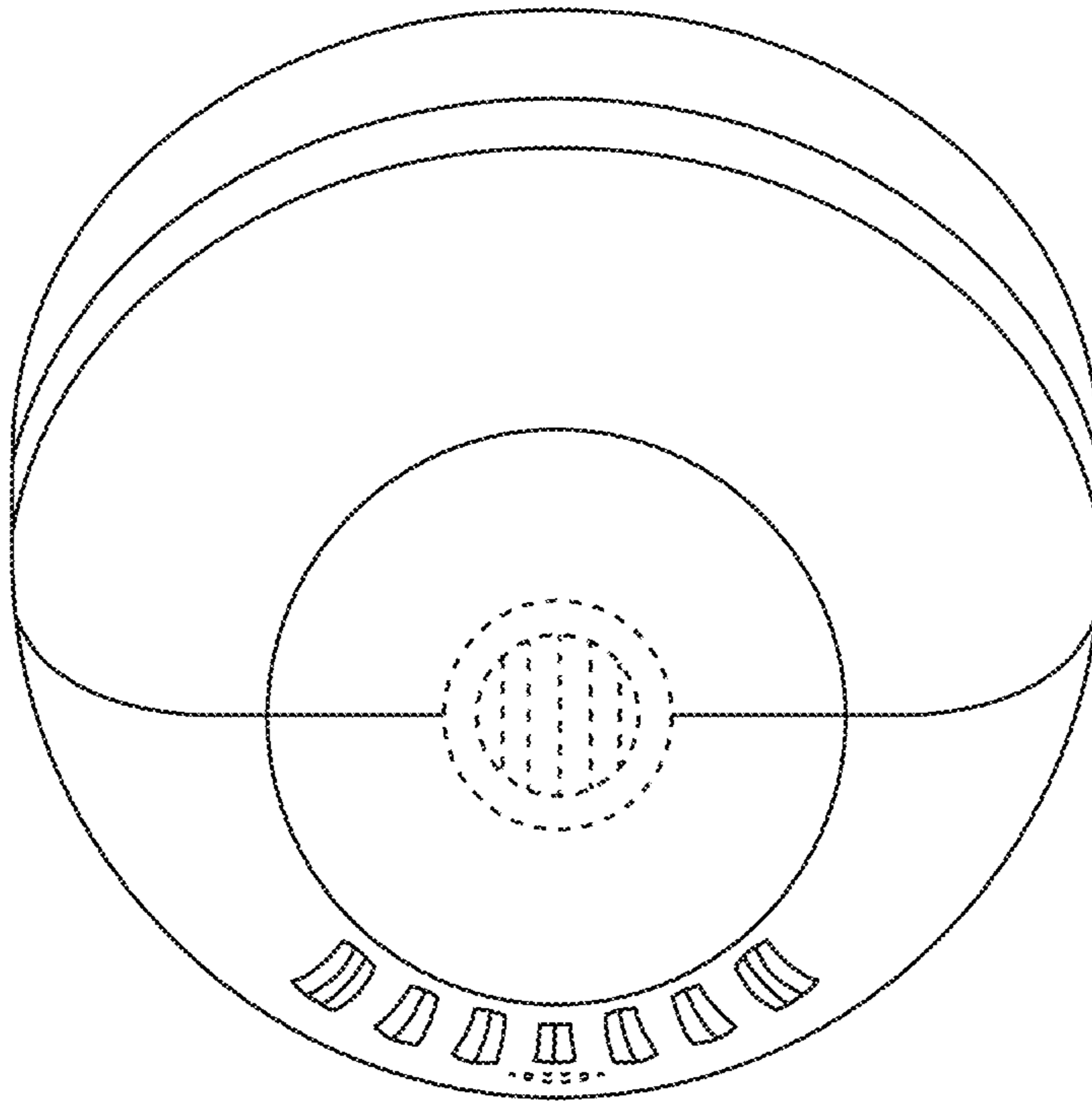


FIG. 6

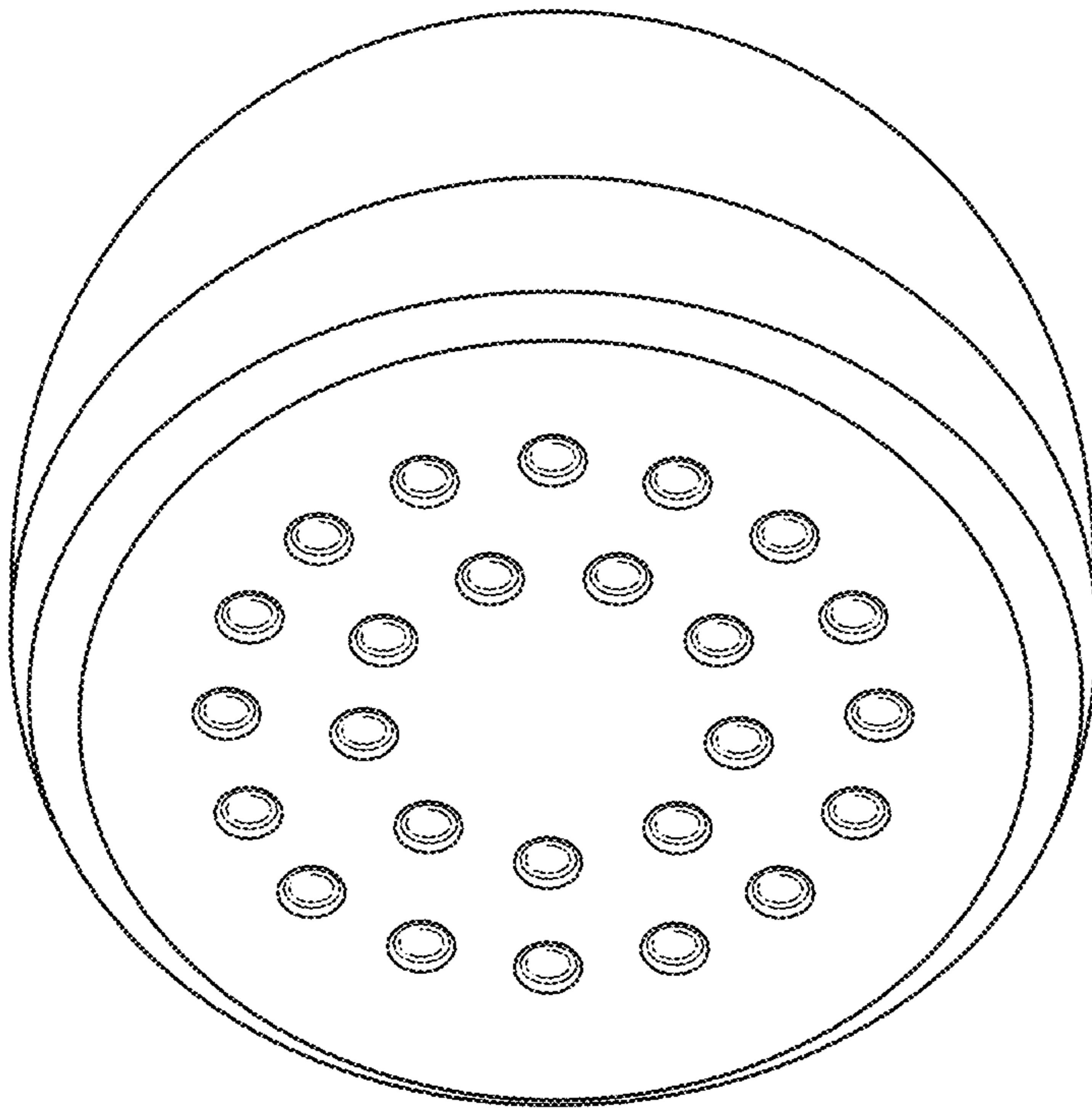


FIG. 7