



US00D791958S

(12) **United States Design Patent** (10) **Patent No.:** **US D791,958 S**
Ho (45) **Date of Patent:** **** Jul. 11, 2017**

(54) **MINIATURE LIP PLUMPER**

(71) Applicant: **Thienna Ho**, San Francisco, CA (US)

(72) Inventor: **Thienna Ho**, San Francisco, CA (US)

(**) Term: **15 Years**

(21) Appl. No.: **29/548,509**

(22) Filed: **Dec. 14, 2015**

Related U.S. Application Data

(63) Continuation-in-part of application No. 29/538,655,
filed on Sep. 4, 2015, now Pat. No. Des. 768,305,
(Continued)

(51) **LOC (10) Cl.** **24-99**

(52) **U.S. Cl.**
USPC **D24/200**

(58) **Field of Classification Search**
USPC D24/200, 206-208 M, 214-215; D28/67;
D7/628; D9/643, 645
(Continued)

(56) **References Cited**

U.S. PATENT DOCUMENTS

D431,097 S 9/2000 Tamez
6,189,545 B1 2/2001 Tamez
(Continued)

OTHER PUBLICATIONS

Set 4: Candylipz Lip Plumper Set. Thienna 2013 [retrieved on Apr. 6, 2016]. Retrieved from the Internet: <URL: <http://www.candylipz.com>>.

Primary Examiner — Wan Laymon

(74) *Attorney, Agent, or Firm* — Jonathan Jaech; Snell & Wilmer L.L.P.

(57) **CLAIM**

The ornamental design for a miniature lip plumper, as shown and described.

DESCRIPTION

FIGS. 1-7 show different views of a first variation on an ornamental design for a miniature lip plumper, namely: an upper perspective view (FIG. 1), a lower perspective view (FIG. 2), a right elevation view (FIG. 3), a left elevation view (FIG. 4), a top view (FIG. 5), a bottom view (FIG. 6), and an exploded perspective view (FIG. 7).

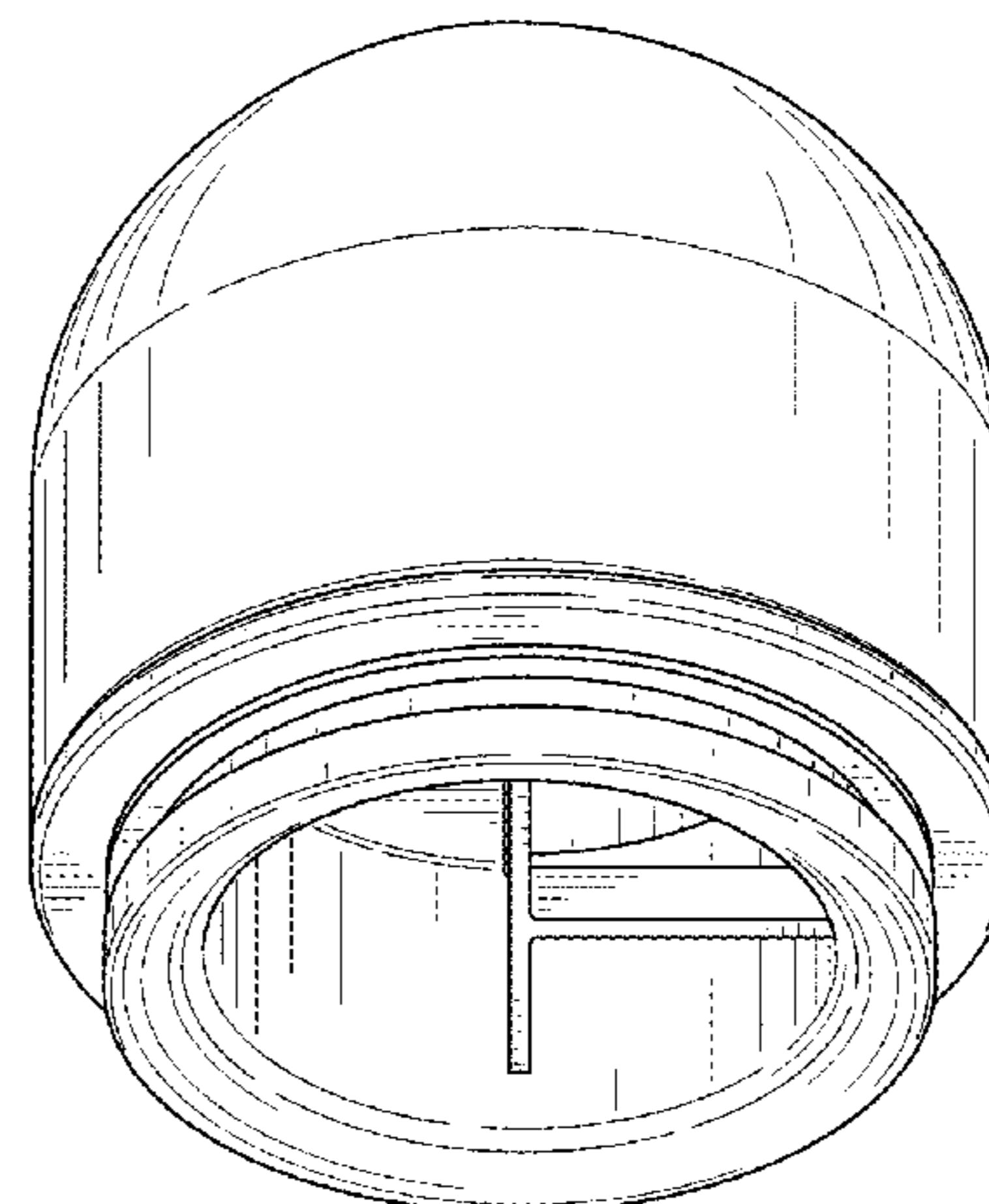
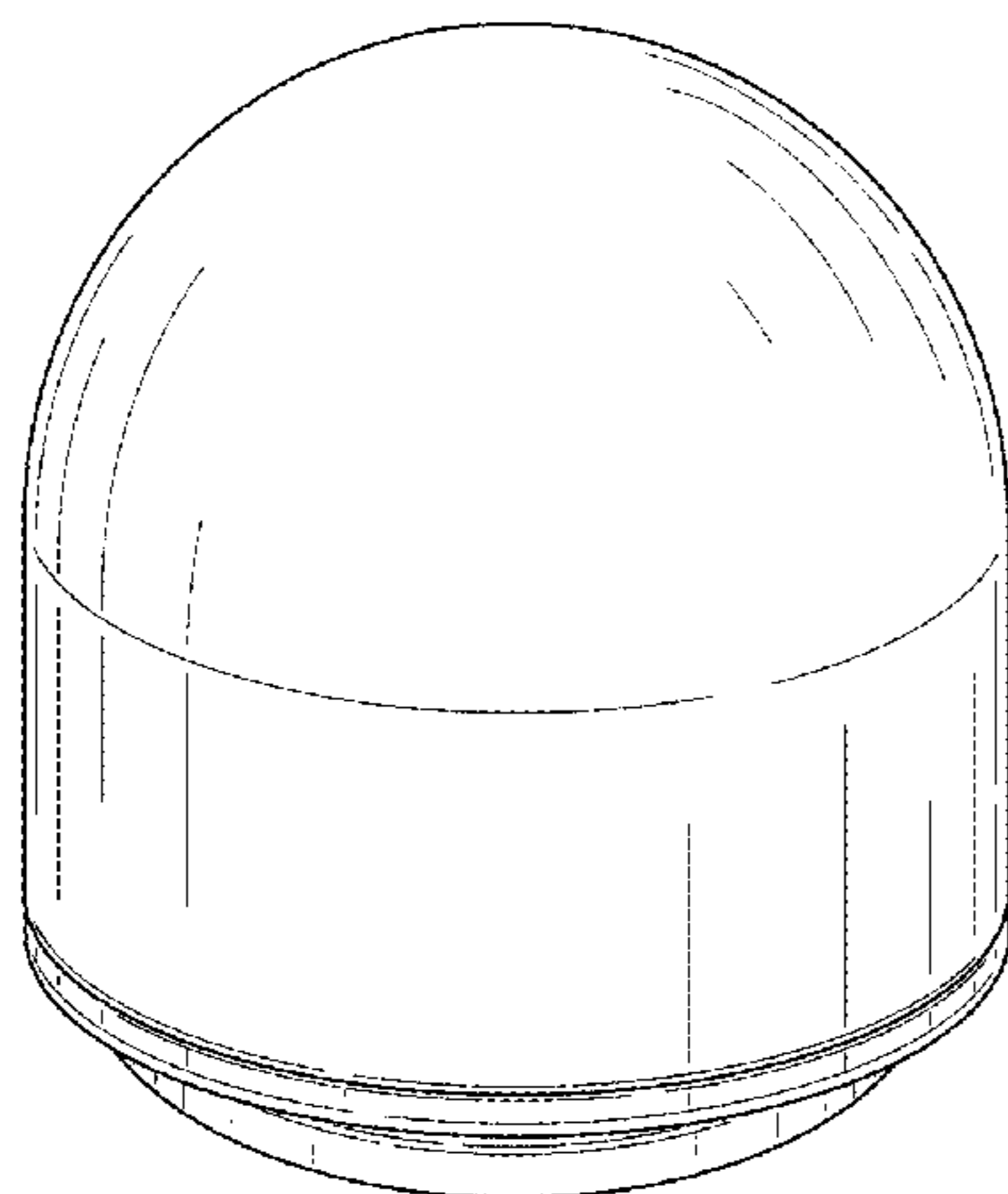
FIGS. 1, 3-5, 8 and 9 show different views of a second variation on an ornamental design for a miniature lip plumper, namely: an upper perspective view (FIG. 1), a right elevation view (FIG. 3), a left elevation view (FIG. 4), a top view (FIG. 5), a bottom view (FIG. 8), and a lower perspective view (FIG. 9).

FIGS. 1, 3-5, 10 and 11 show different views of a third variation on an ornamental design for a miniature lip plumper, namely: an upper perspective view (FIG. 1), a right elevation view (FIG. 3), a left elevation view (FIG. 4), a top view (FIG. 5), a bottom view (FIG. 10), and a lower perspective view (FIG. 11).

FIGS. 1, 5 and 12-14 show different views of a fourth variation on an ornamental design for a miniature lip plumper, namely: an upper perspective view (FIG. 1), a top view (FIG. 5), a lower perspective view (FIG. 12), a right or left elevation view (FIG. 13), and a bottom view (FIG. 14). FIGS. 1, 5, 13 and 15-16 show different views of a fifth variation on an ornamental design for a miniature lip plumper, namely: an upper perspective view (FIG. 1), a top view (FIG. 5), a right or left elevation view (FIG. 13), a bottom view (FIG. 15), and a lower perspective view (FIG. 16).

FIGS. 1, 5, 13 and 17-18 show different views of a sixth variation on an ornamental design for a miniature lip plumper, namely: an upper perspective view (FIG. 1), a top view (FIG. 5), a right or left elevation view (FIG. 13), a bottom view (FIG. 17), and a lower perspective view (FIG. 18).

FIGS. 6 and 19-23 show different views of a seventh variation on an ornamental design for a miniature lip plumper.
(Continued)



plumper, namely: a bottom view (FIG. 6), a top view (FIG. 22), an upper perspective view (FIG. 19), a lower perspective view (FIG. 20), a right or left elevation view (FIG. 21), and an exploded perspective view (FIG. 23).

FIGS. 8, 22, 19, 21 and 24 show different views of an eighth variation on an ornamental design for a miniature lip plumper, namely: a bottom view (FIG. 8), a top view (FIG. 22), an upper perspective view (FIG. 19), a right or left elevation view (FIG. 21), and a lower perspective view (FIG. 24).

FIGS. 10, 22, 19, 21 and 25 show different views of a ninth variation on an ornamental design for a miniature lip plumper, namely: a bottom view (FIG. 10), a top view (FIG. 22), an upper perspective view (FIG. 19), a right or left elevation view (FIG. 21), and a lower perspective view (FIG. 25).

FIGS. 14, 22, 19, 26 and 27 show different views of a tenth variation on an ornamental design for a miniature lip plumper, namely: a bottom view (FIG. 14), a top view (FIG. 22), an upper perspective view (FIG. 19), a lower perspective view (FIG. 26), and a right or left elevation view (FIG. 27).

FIGS. 15, 22, 19, 27 and 28 show different views of an eleventh variation on an ornamental design for a miniature lip plumper, namely: a bottom view (FIG. 15), a top view (FIG. 22), an upper perspective view (FIG. 19), a right or left elevation view (FIG. 27), and a lower perspective view (FIG. 28); and,

FIGS. 17, 22, 19, 27 and 29 show different views of a twelfth variation on an ornamental design for a miniature lip plumper, namely: a bottom view (FIG. 17), a top view (FIG. 22), an upper perspective view (FIG. 19), a right or left elevation view (FIG. 27), and a lower perspective view (FIG. 29).

The broken lines showing in the figure drawings are included for the purpose of illustration and form no part of the claimed design.

1 Claim, 22 Drawing Sheets

Related U.S. Application Data

which is a continuation-in-part of application No. 29/531,308, filed on Jun. 24, 2015, now Pat. No. Des. 766,452.

(58) **Field of Classification Search**

CPC . A41G 1/00; A41G 1/008; A61H 7/00; A61H 7/001; A61H 7/002; A61H 7/003; A61H 7/005; A61H 7/007; A61H 7/008; A61H 2007/009; A61H 9/0057; A61H 9/005; A61H 2205/00; A61H 2205/022

See application file for complete search history.

(56) **References Cited**

U.S. PATENT DOCUMENTS

D605,471	S	12/2009	Ehrenhaus	
D666,460	S	9/2012	Kolano	
8,858,472	B2	10/2014	Gomez	
9,119,758	B2	9/2015	Ho	
D766,452	S *	9/2016	Ho D24/200
2009/0030368	A1 *	1/2009	Silver A61H 9/0057 604/74

* cited by examiner

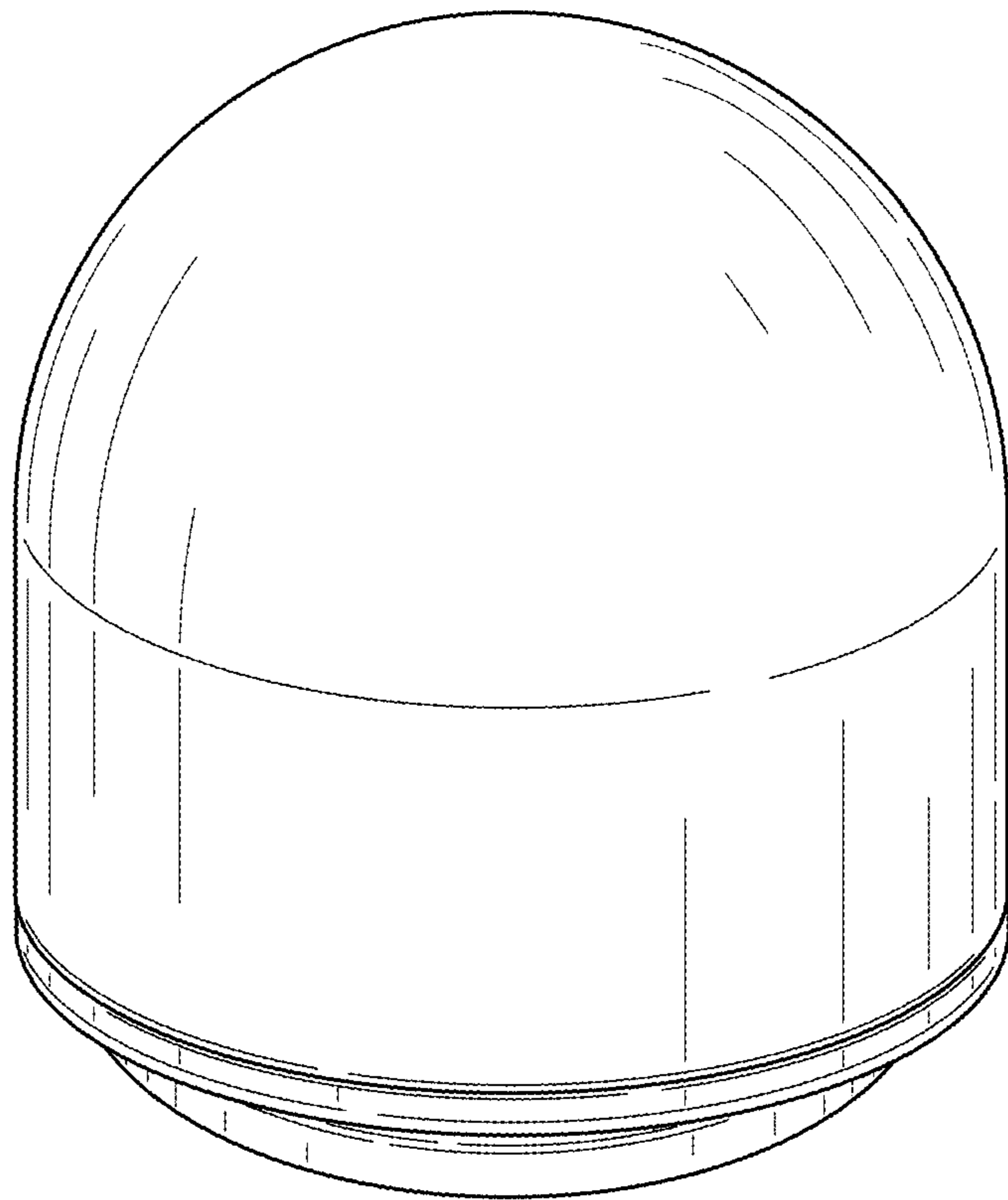


FIG. 1

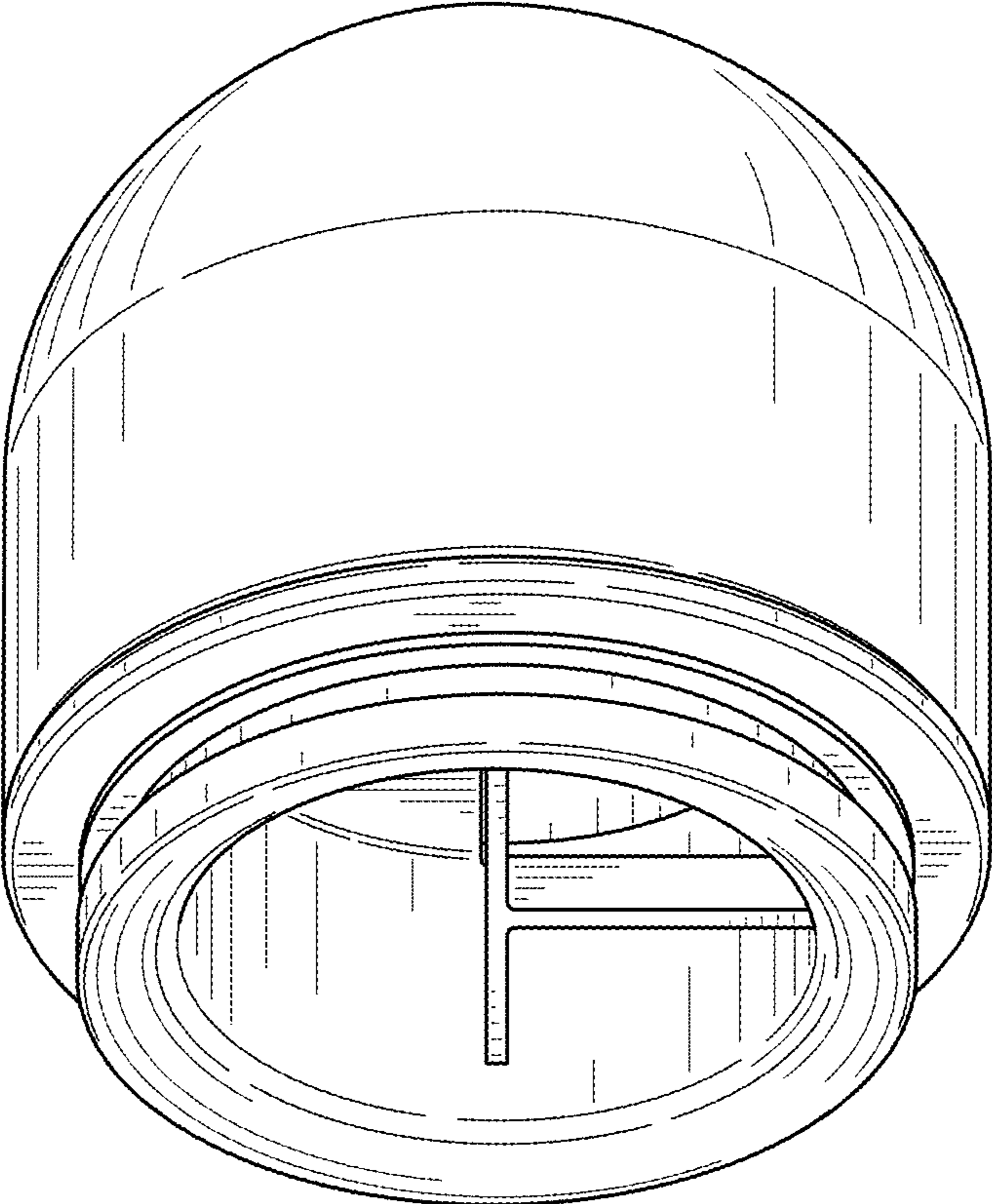


FIG. 2

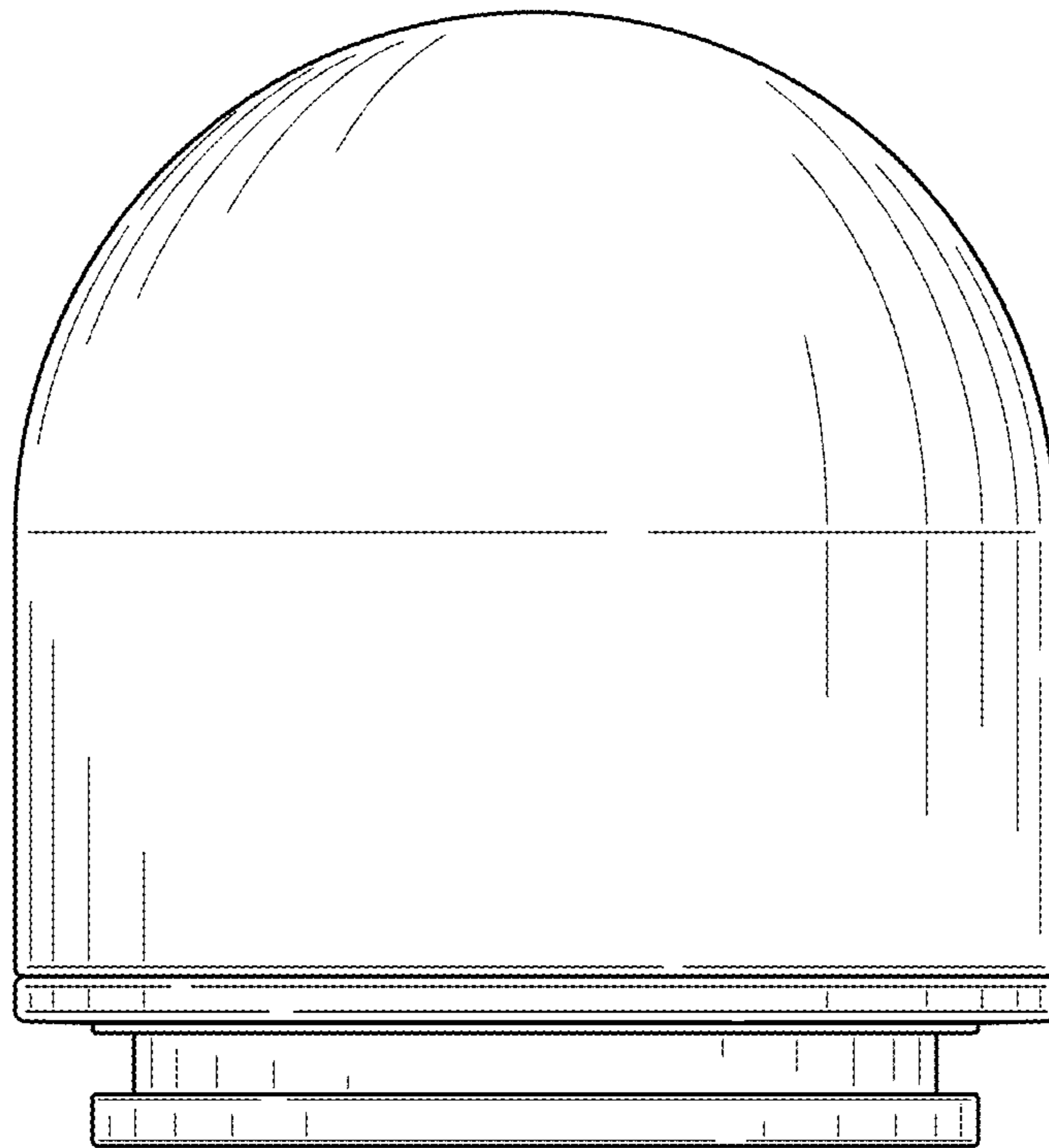


FIG. 3

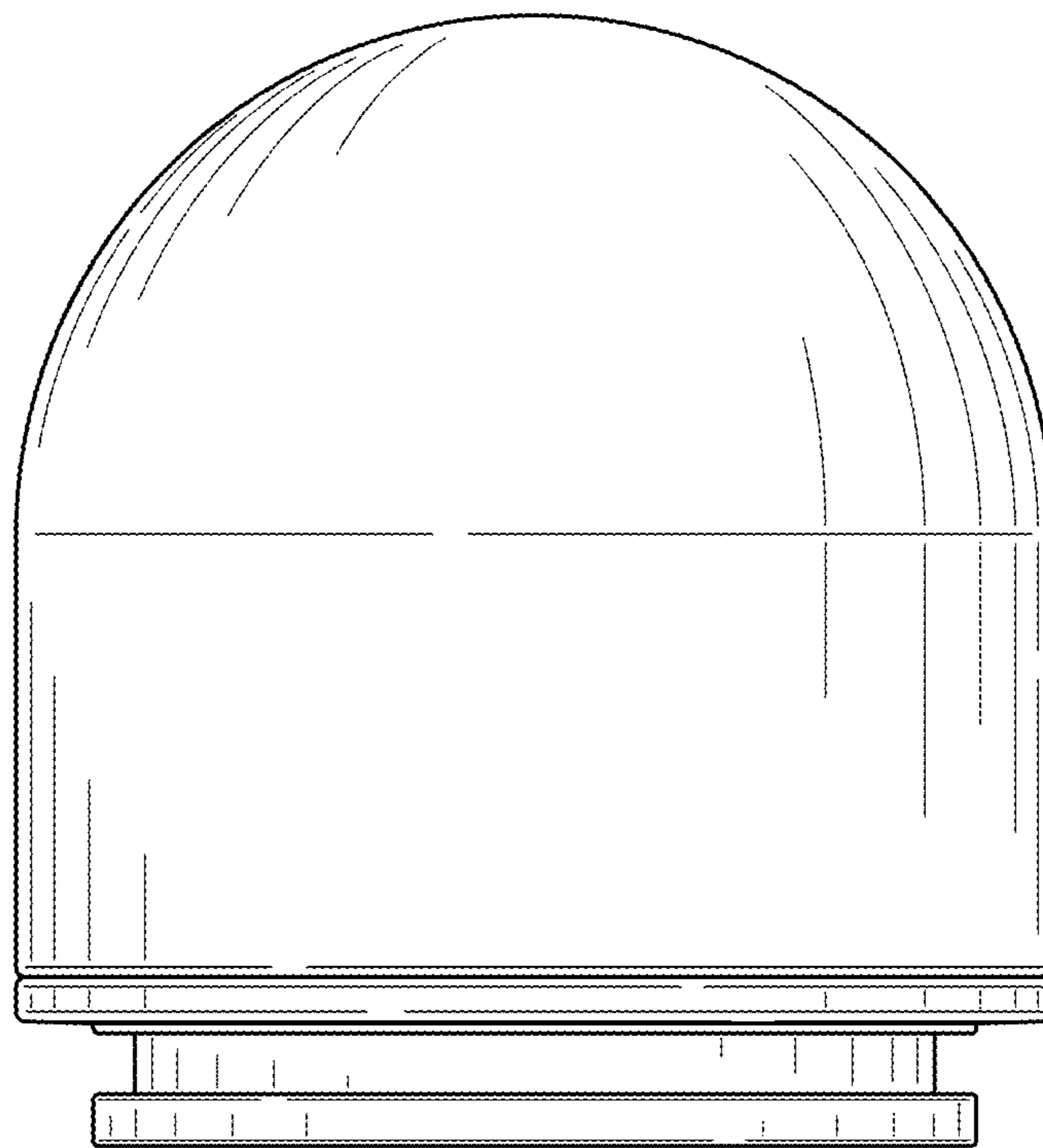


FIG. 4

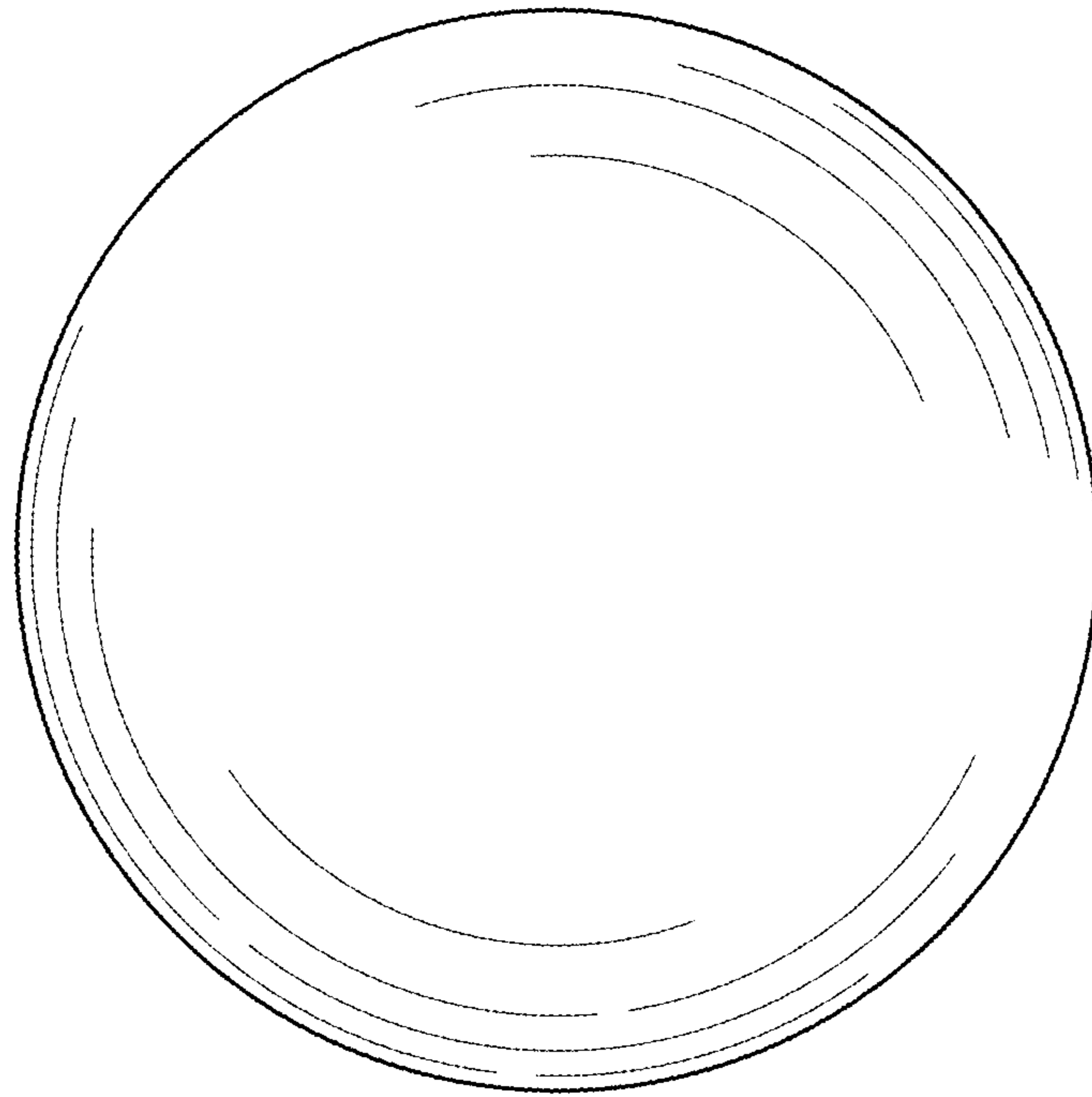


FIG. 5

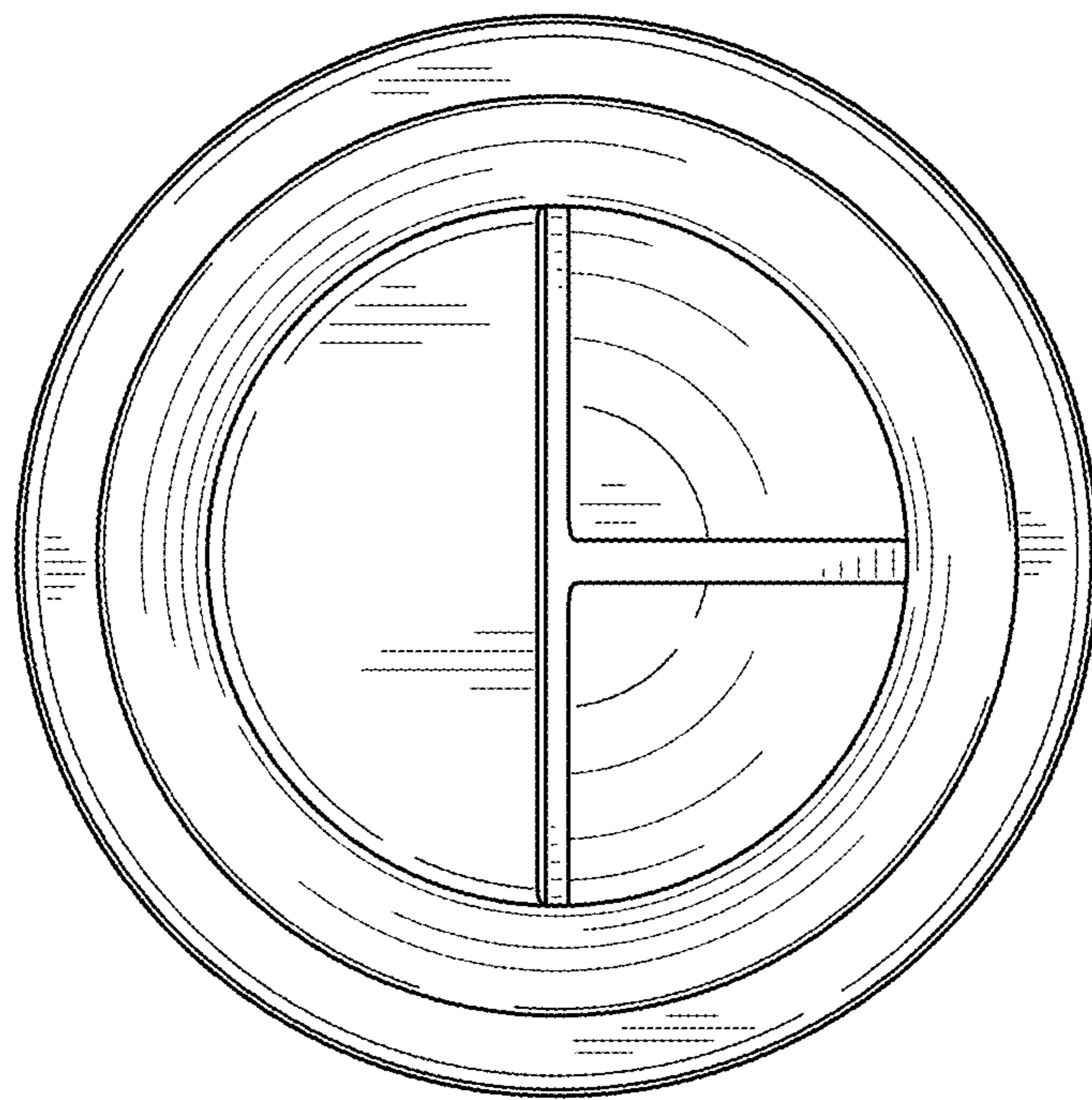


FIG. 6

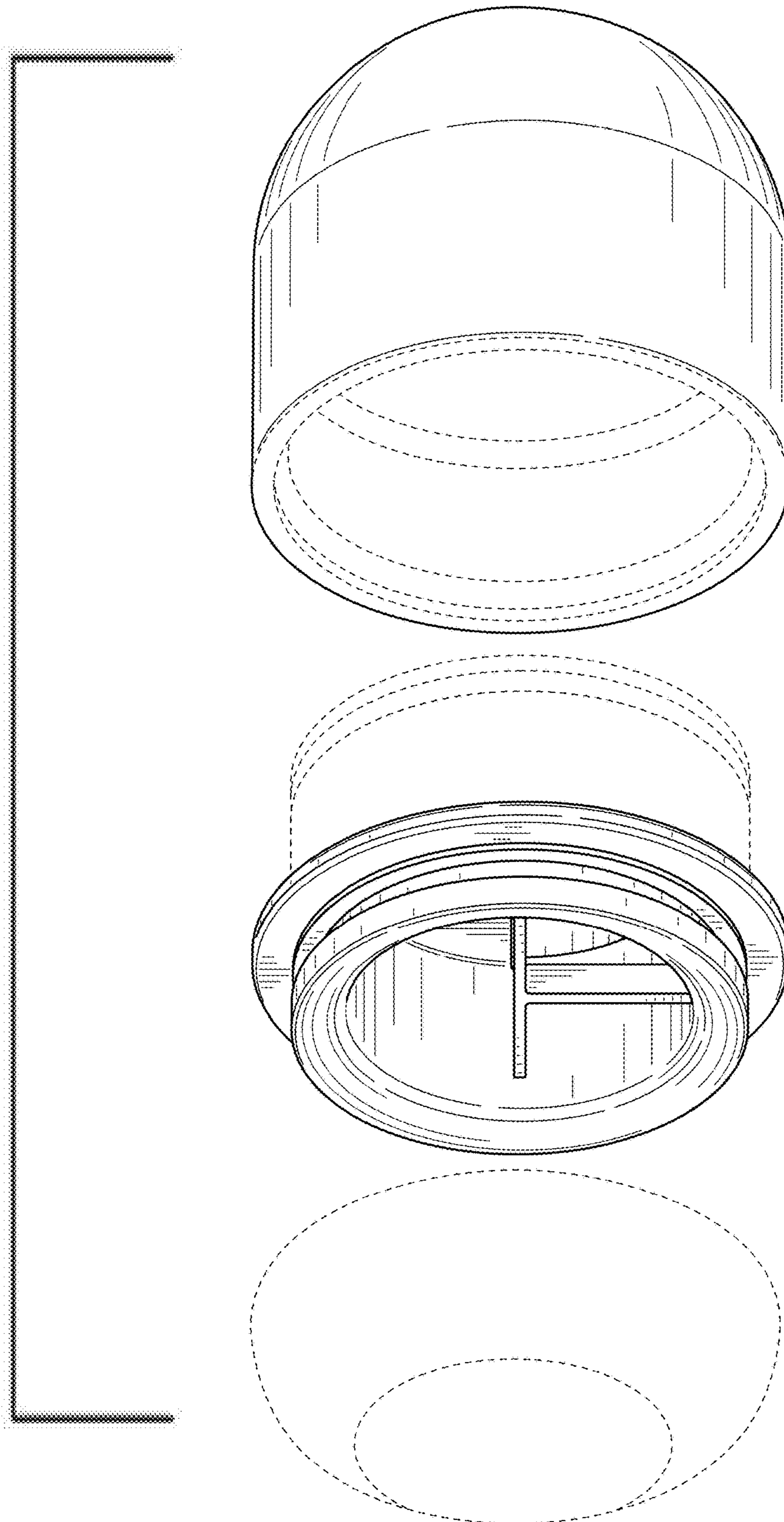


FIG. 7

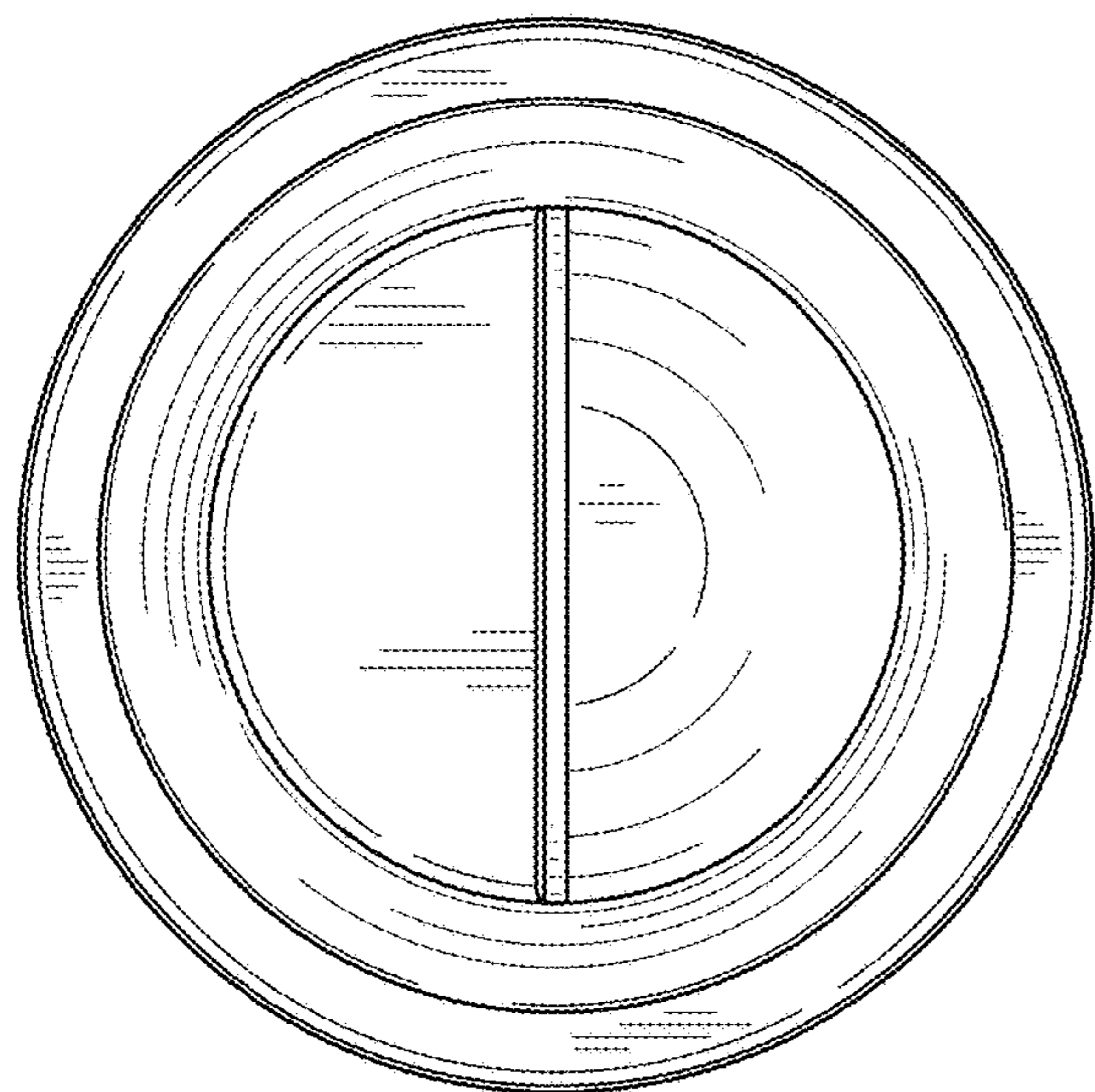


FIG. 8

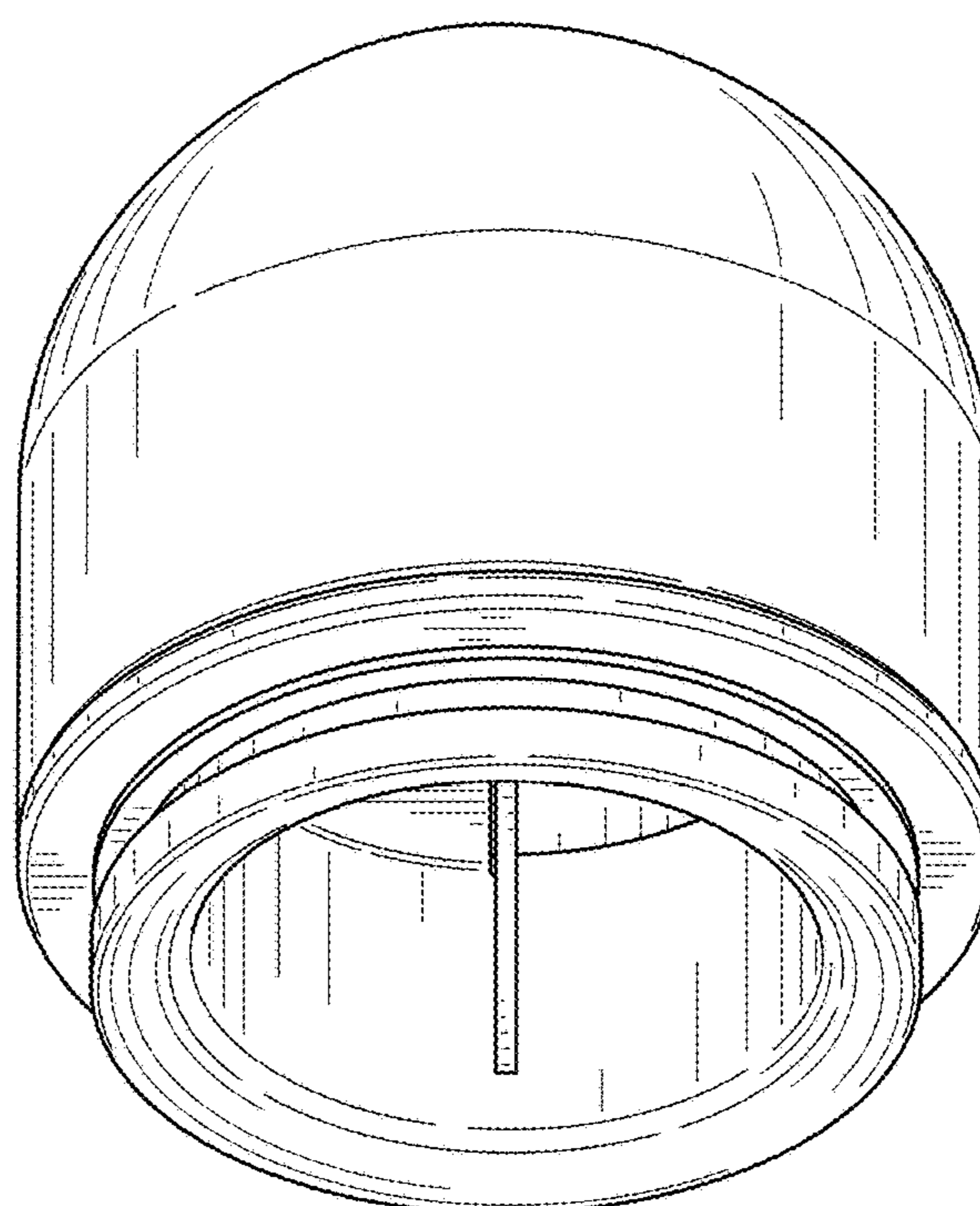


FIG. 9

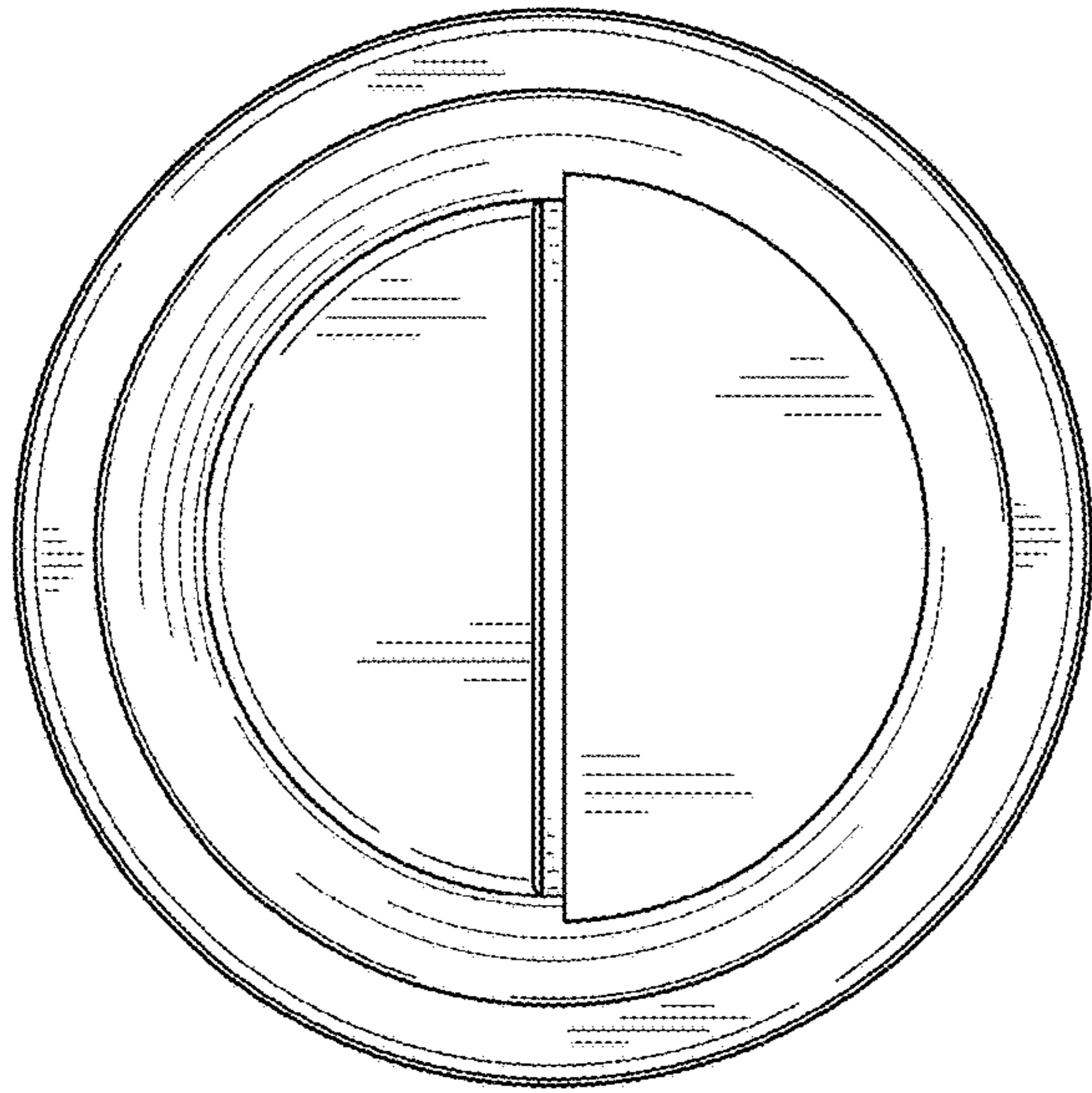


FIG. 10

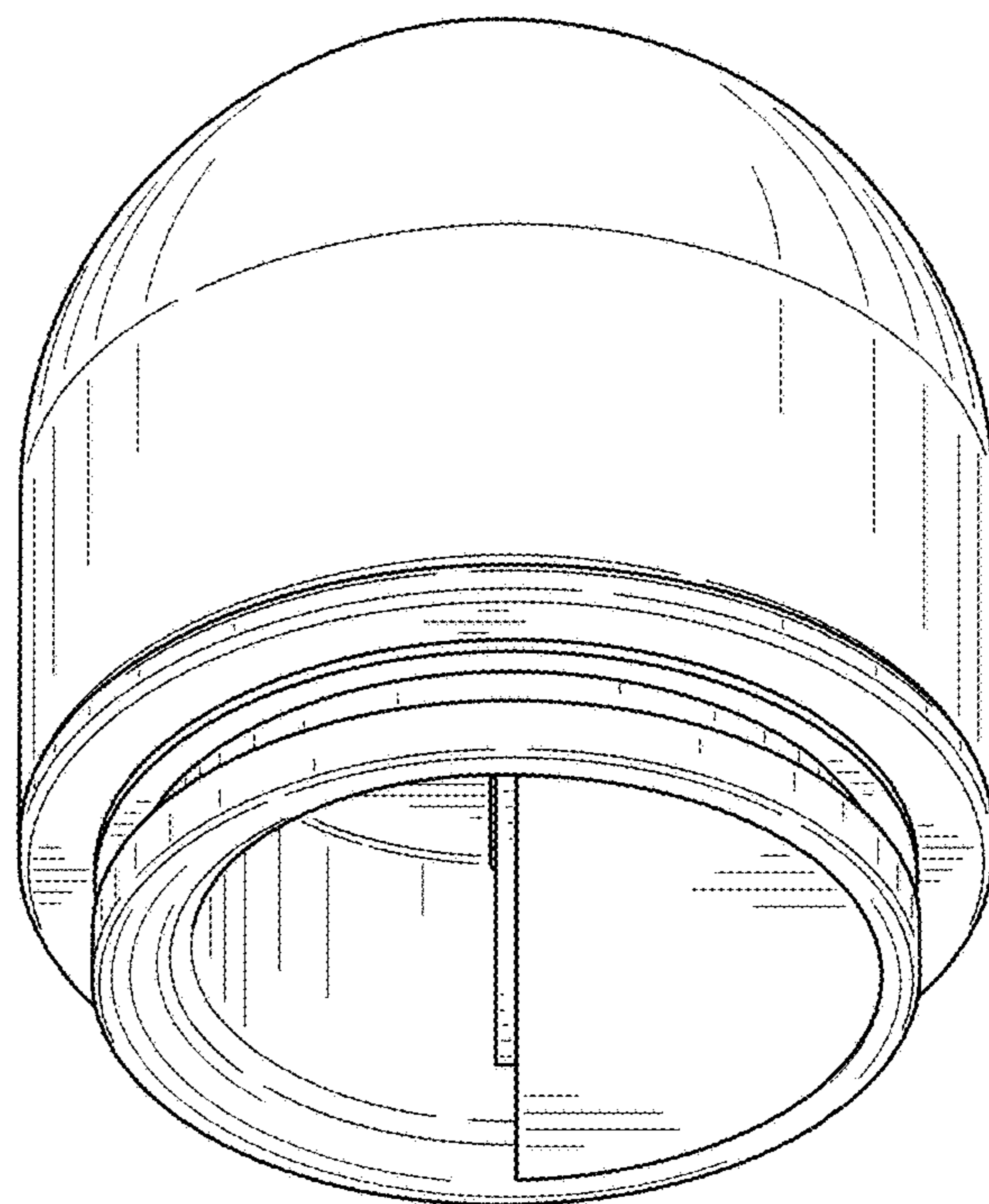


FIG. 11

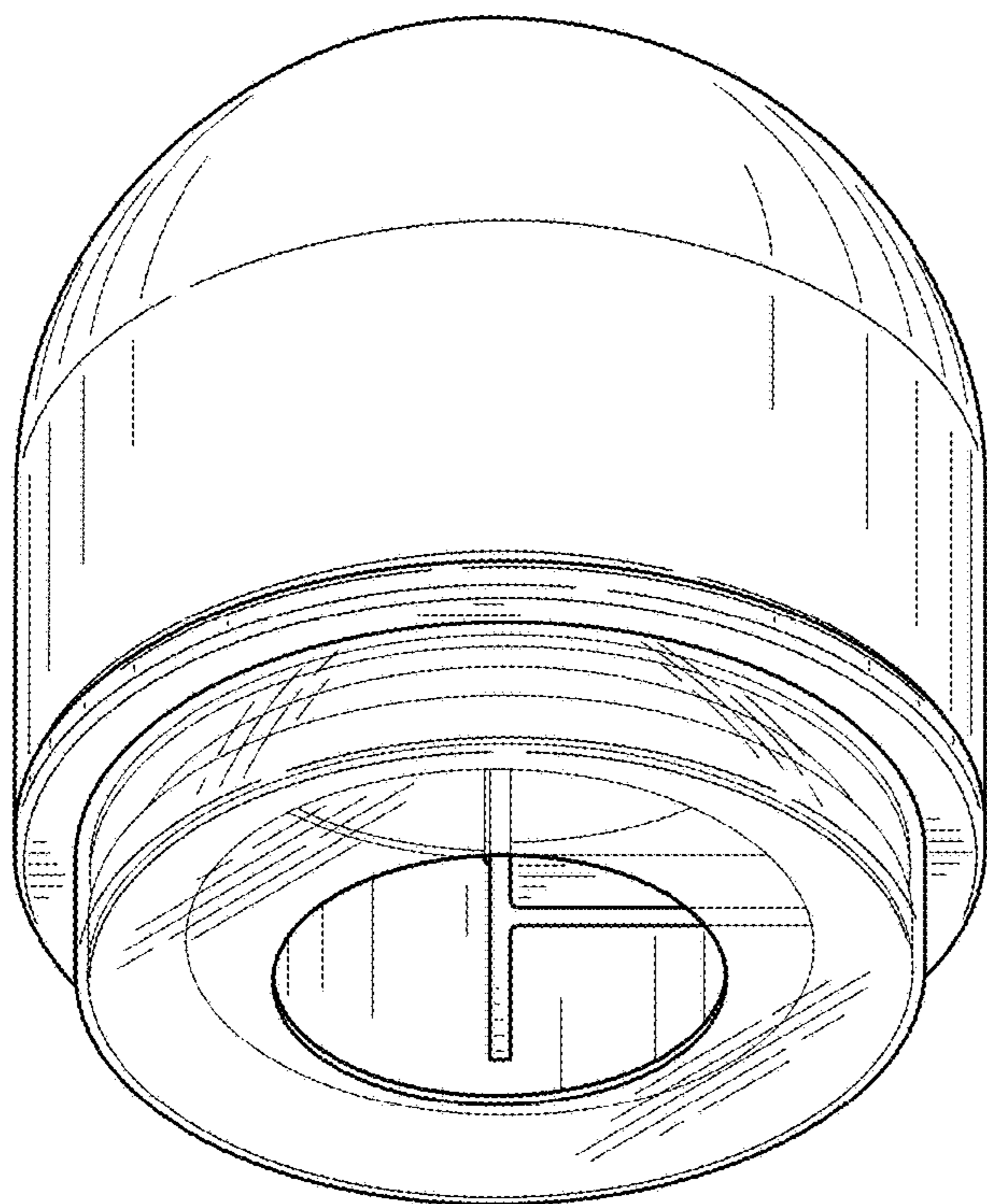


FIG. 12

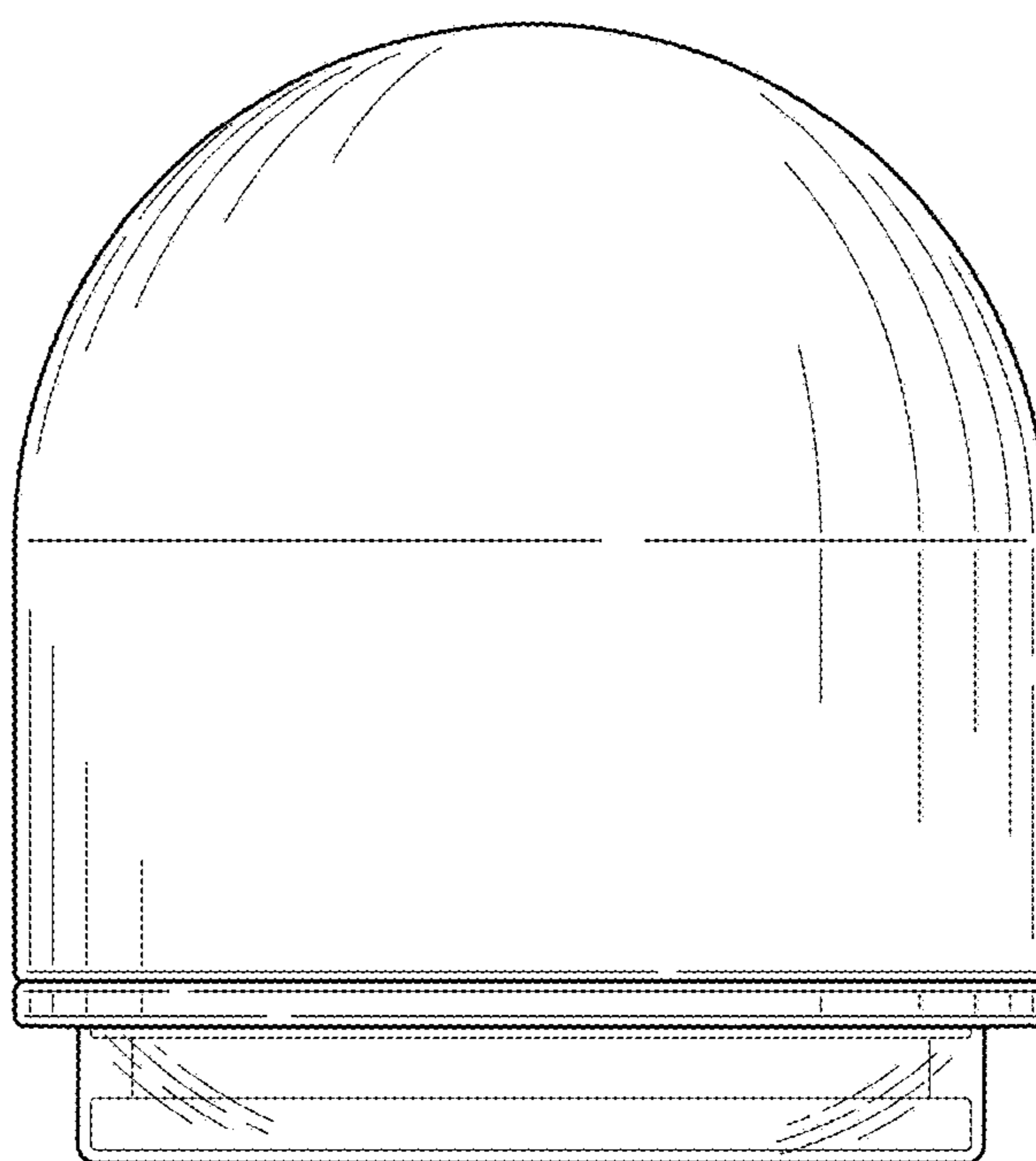


FIG. 13

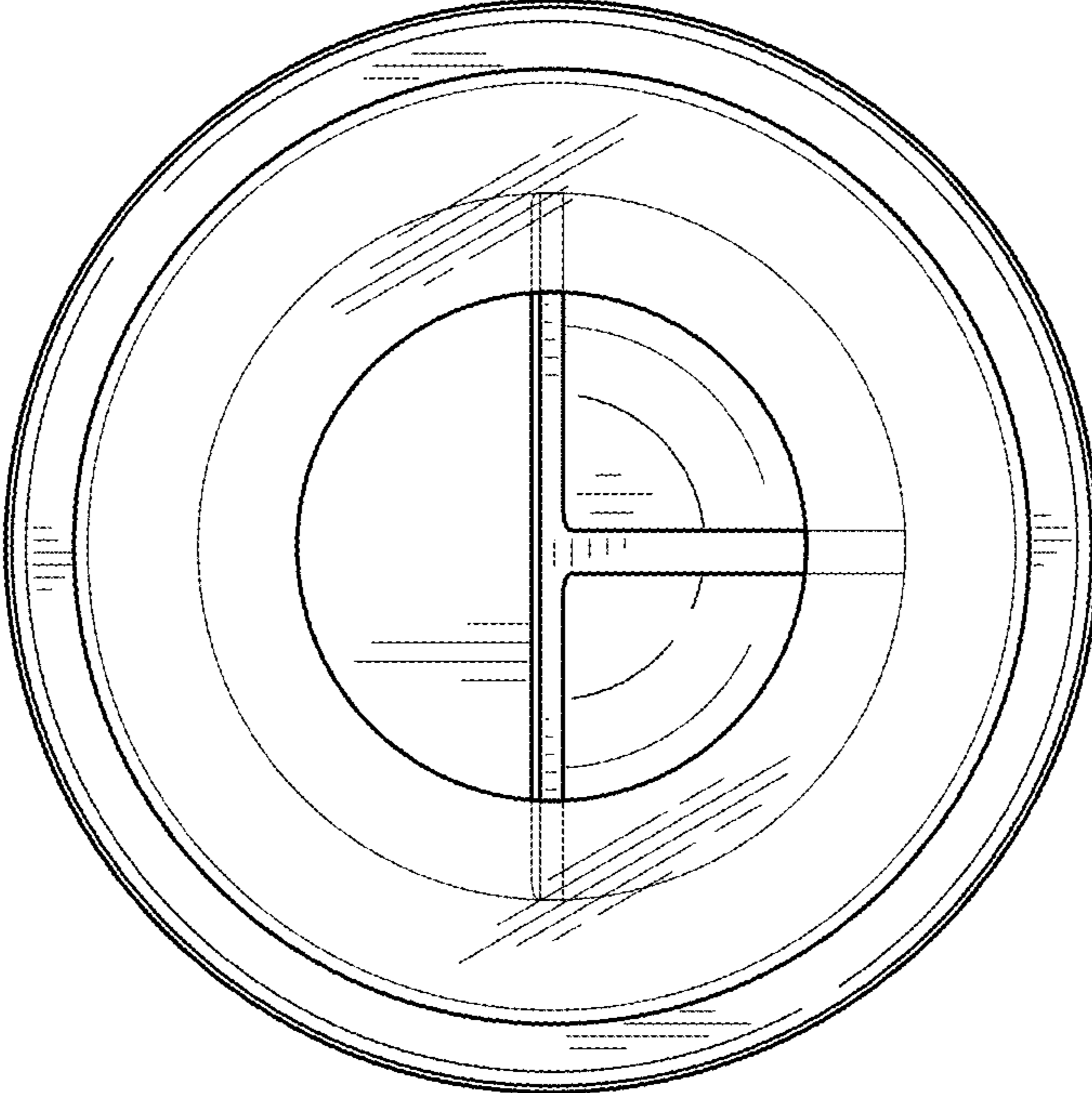


FIG. 14

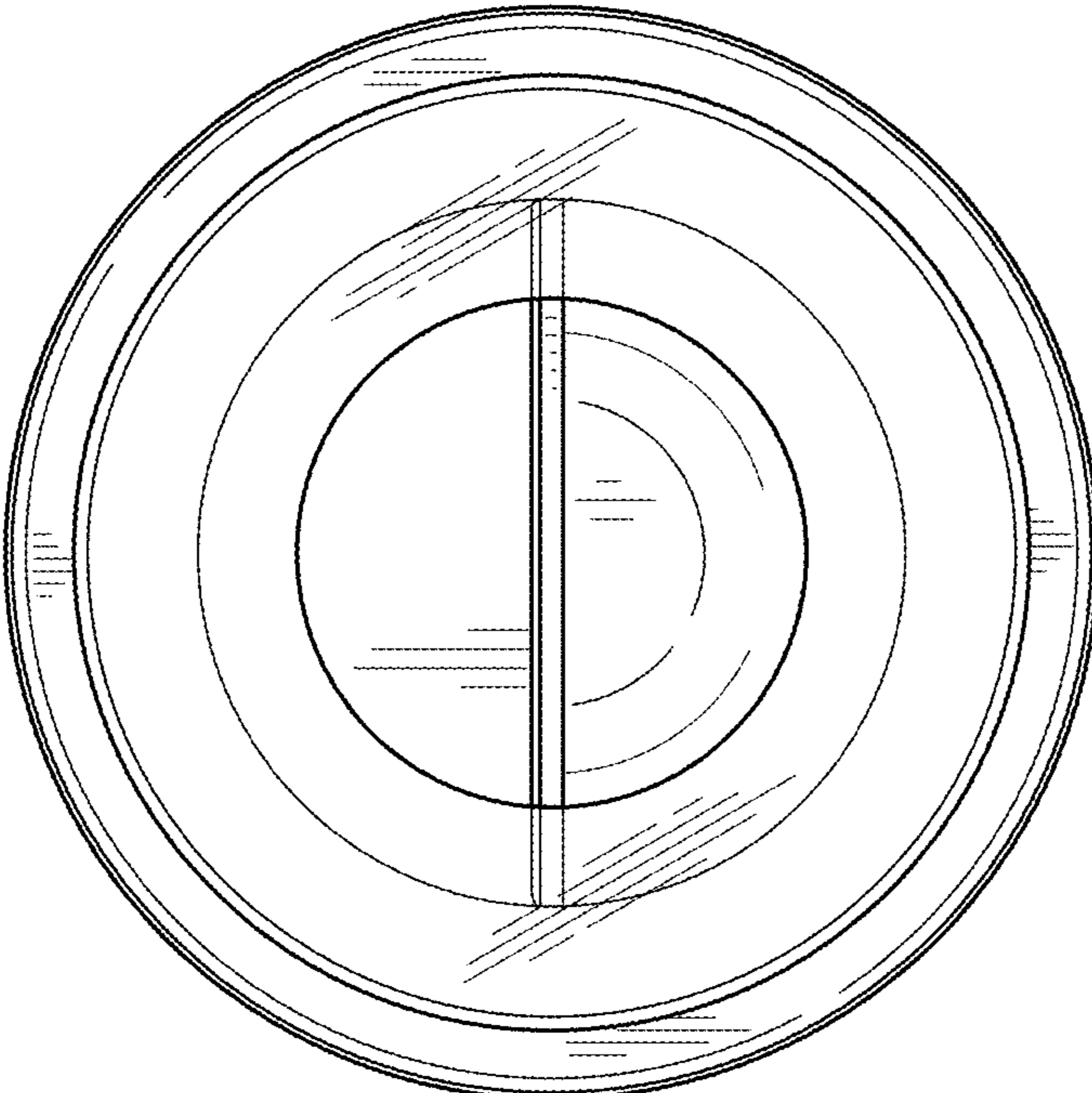


FIG. 15

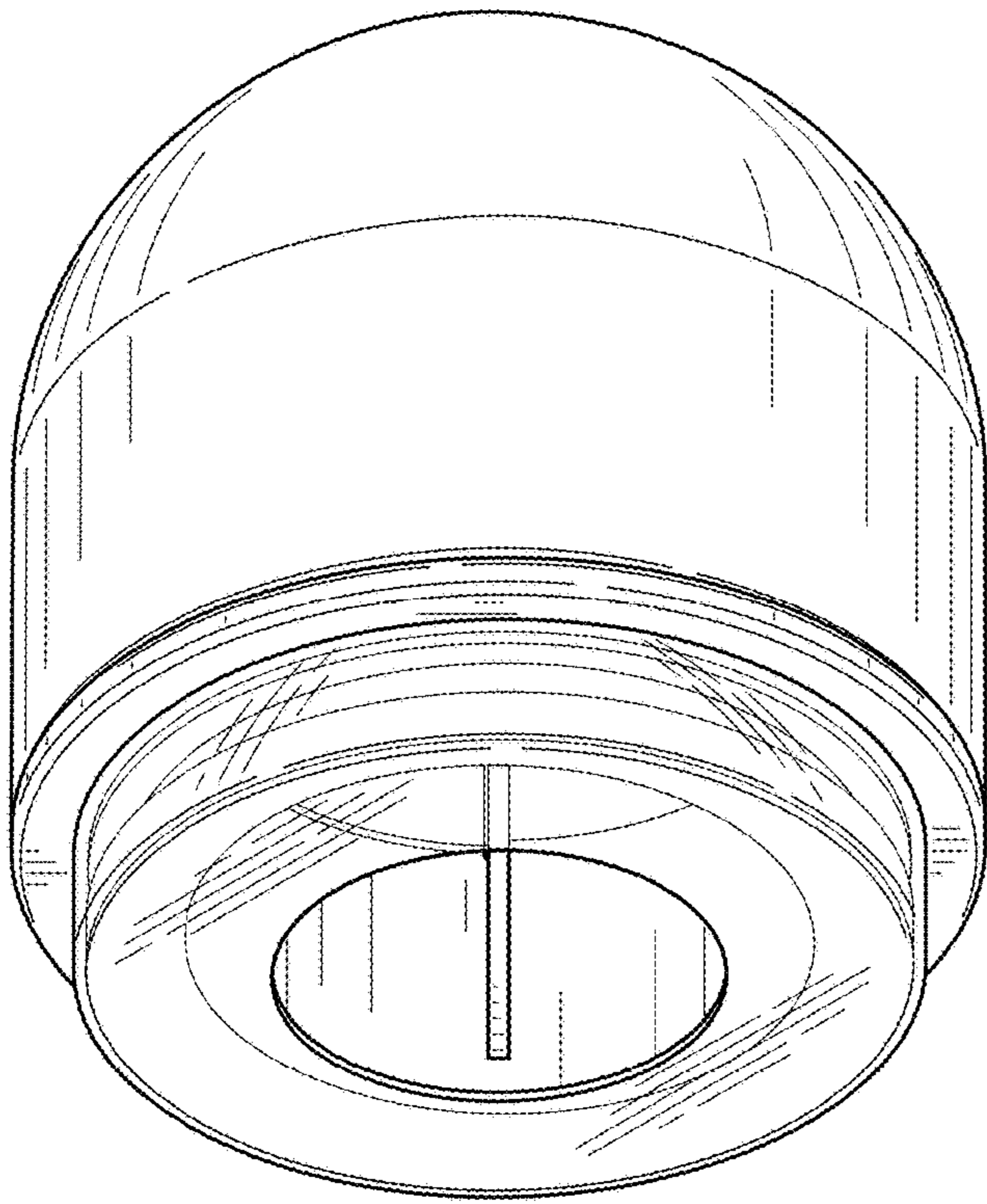


FIG. 16

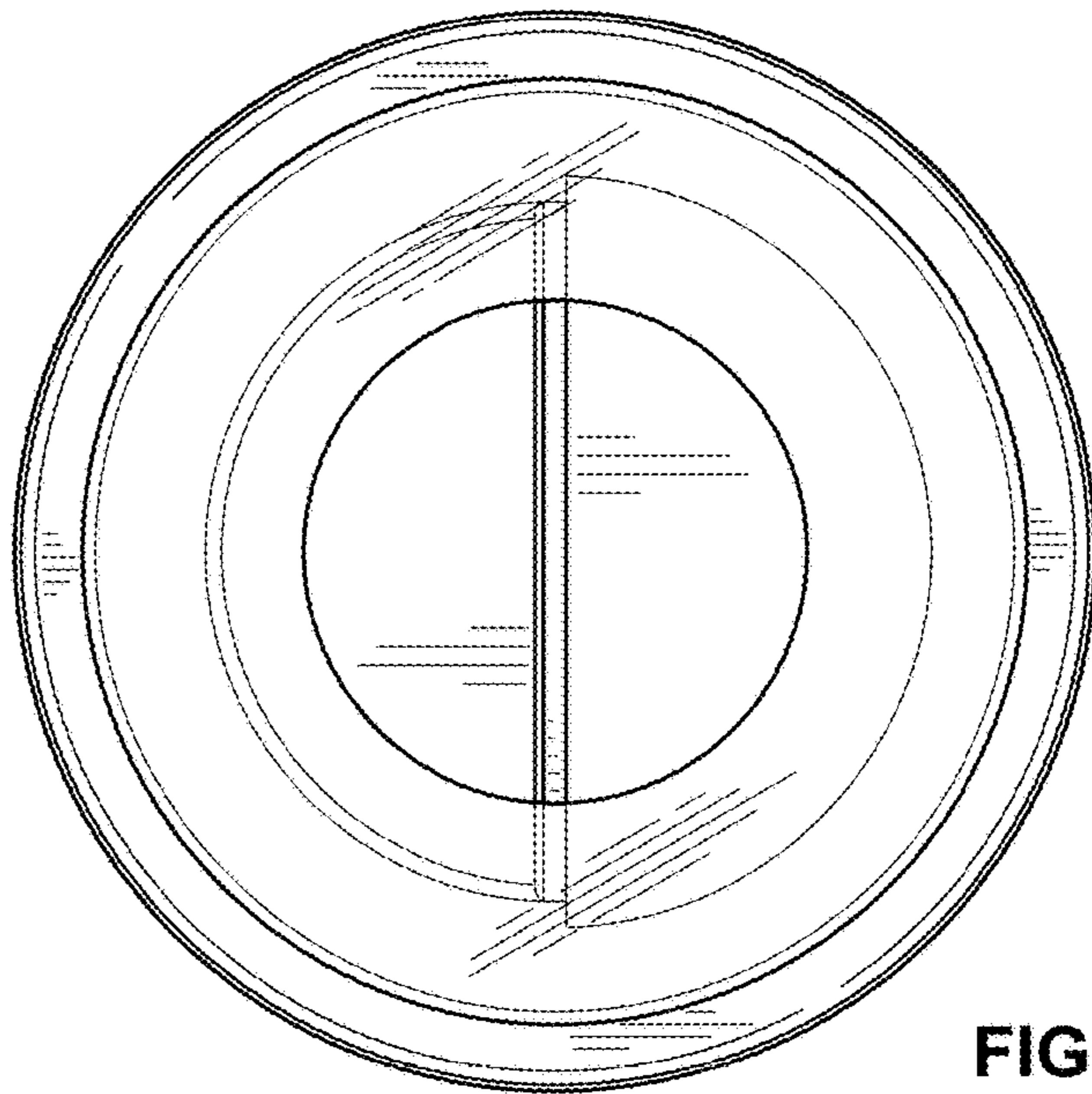


FIG. 17

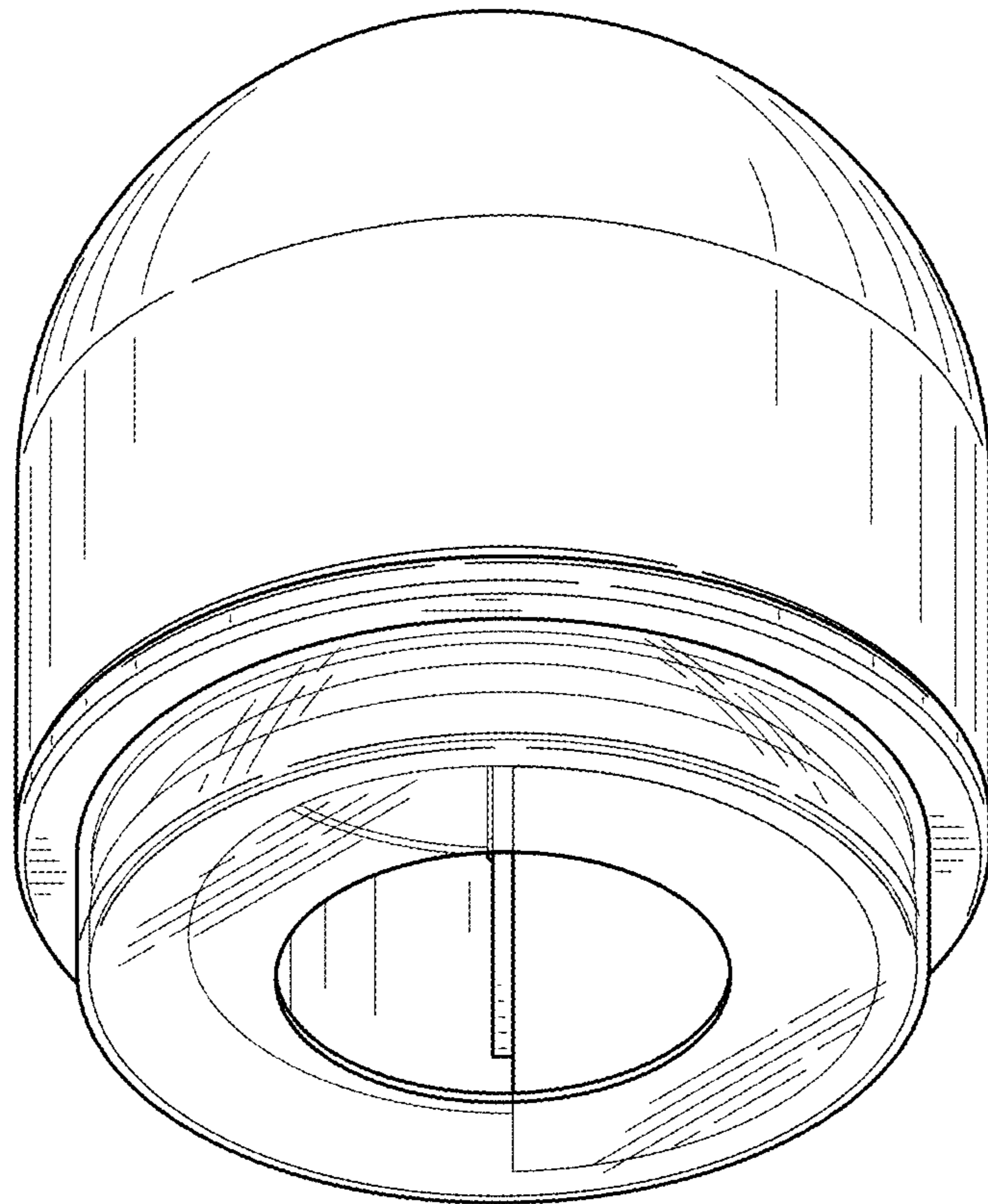


FIG. 18

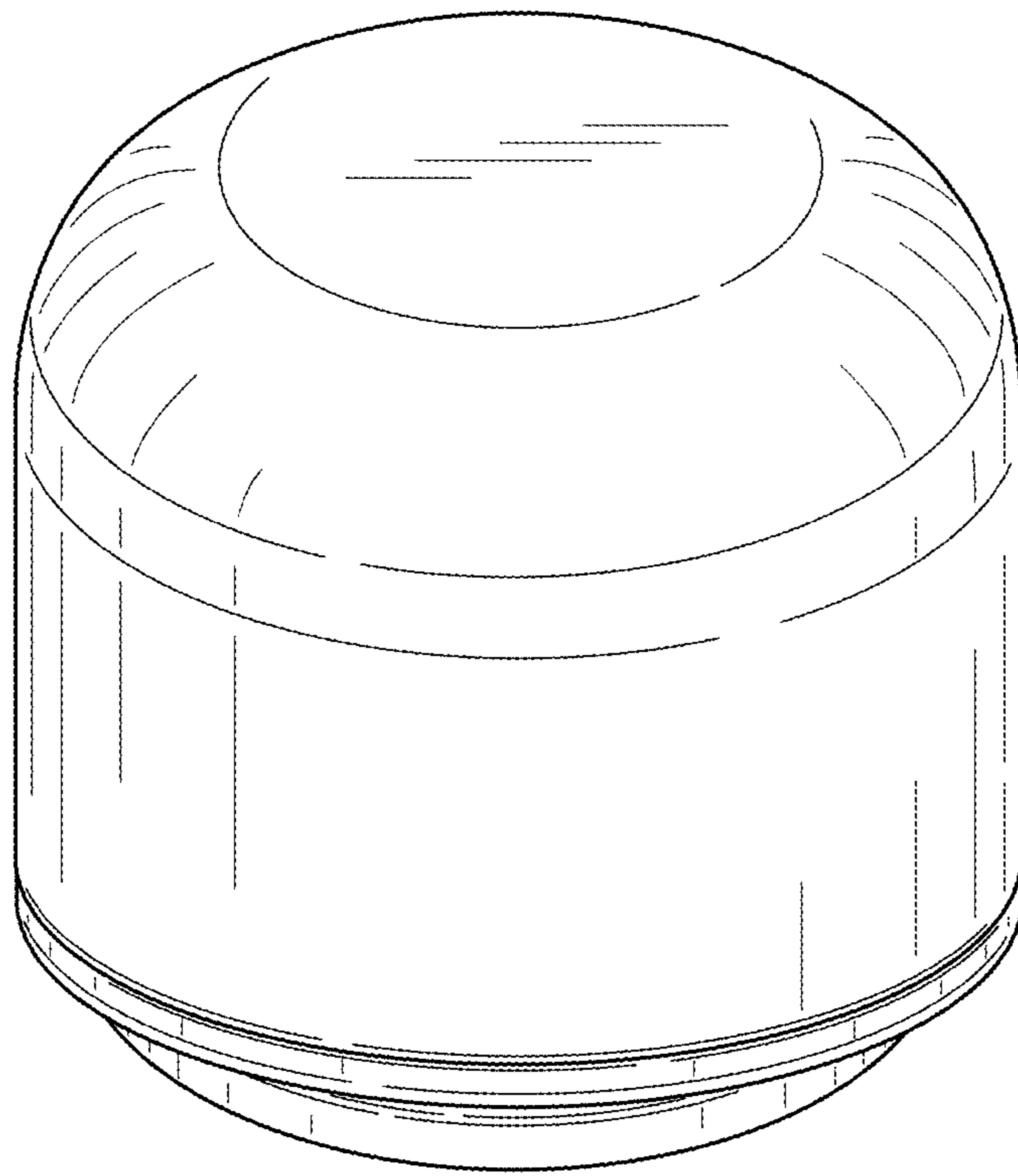


FIG. 19

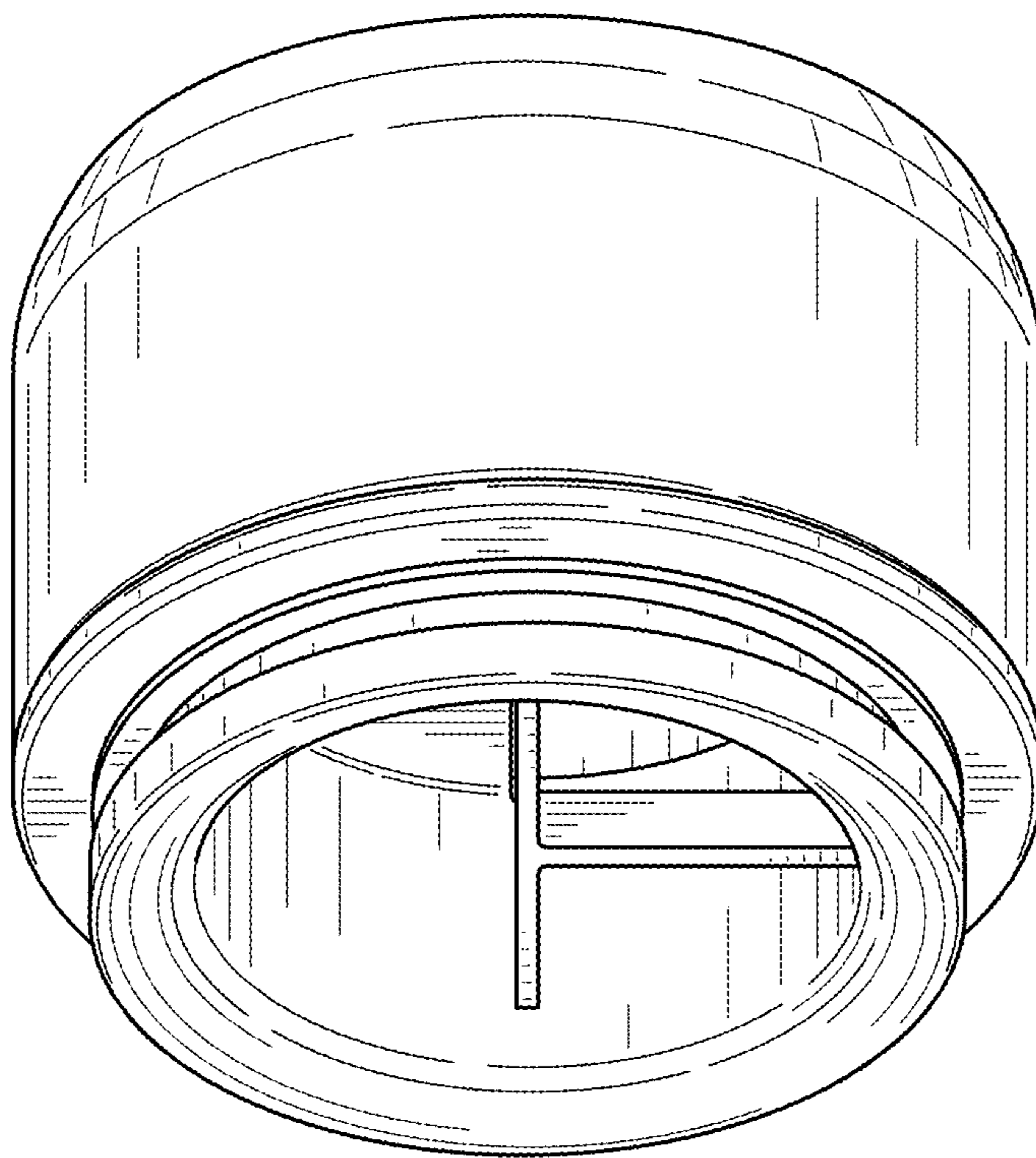


FIG. 20

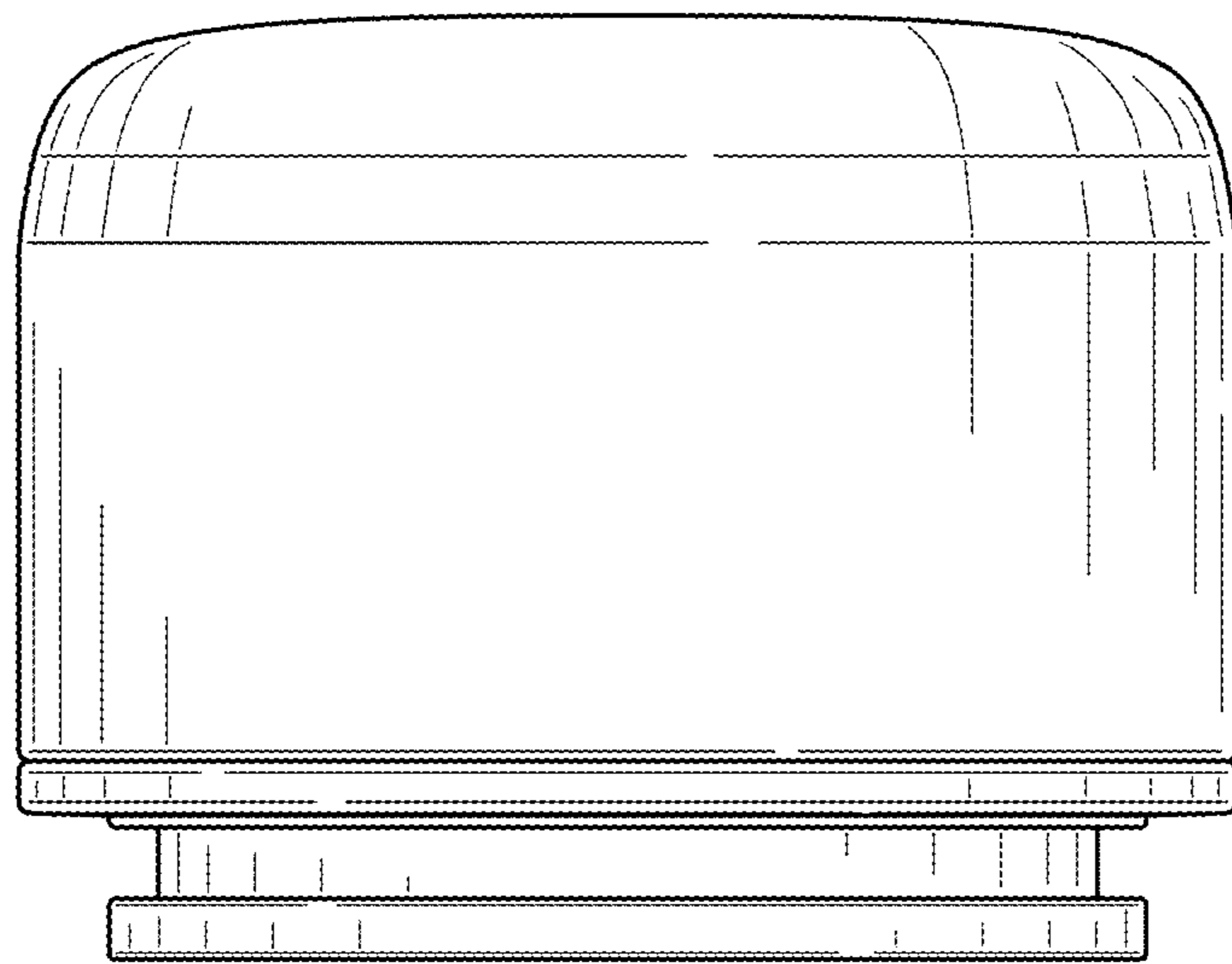


FIG. 21

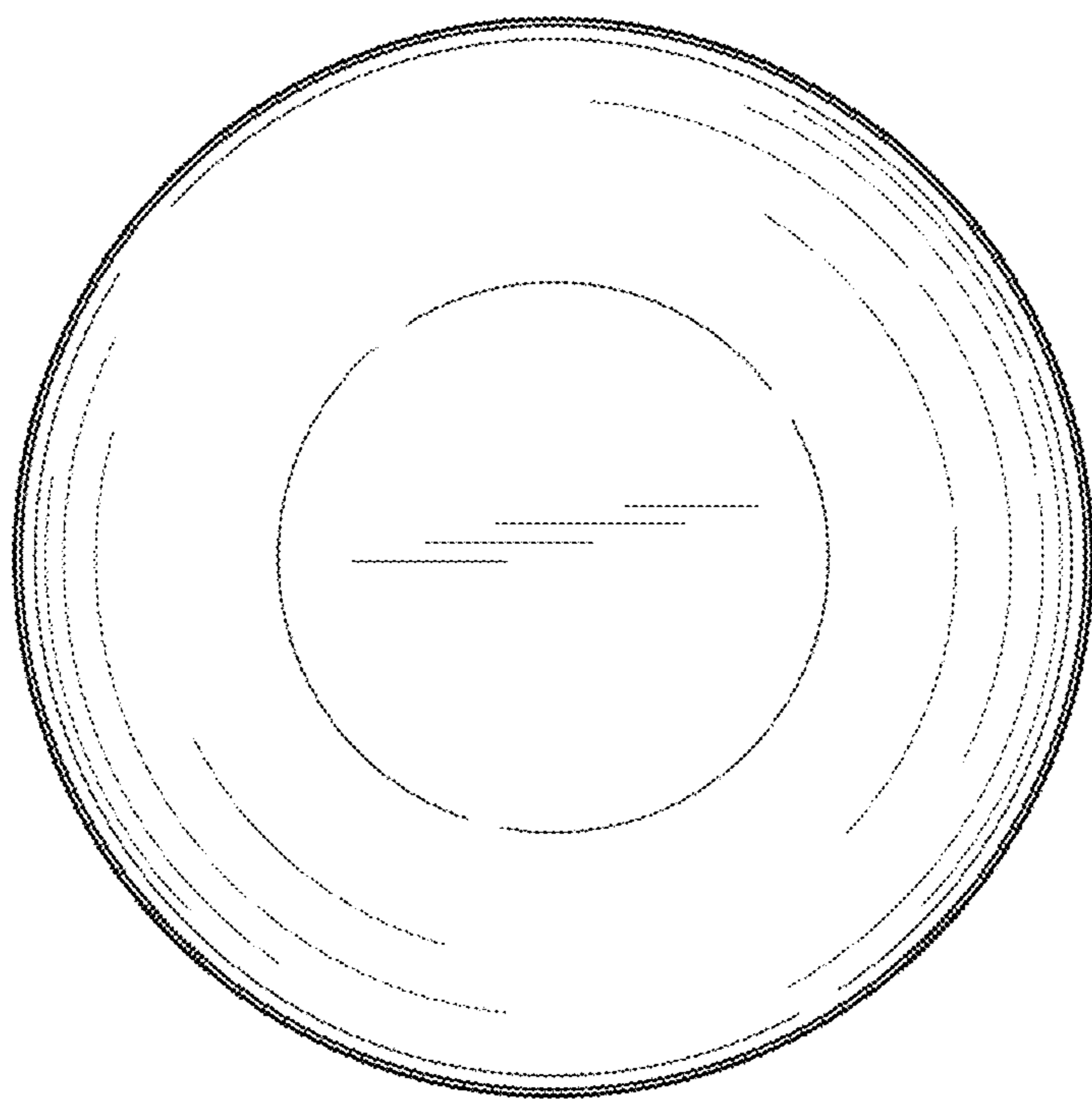


FIG. 22

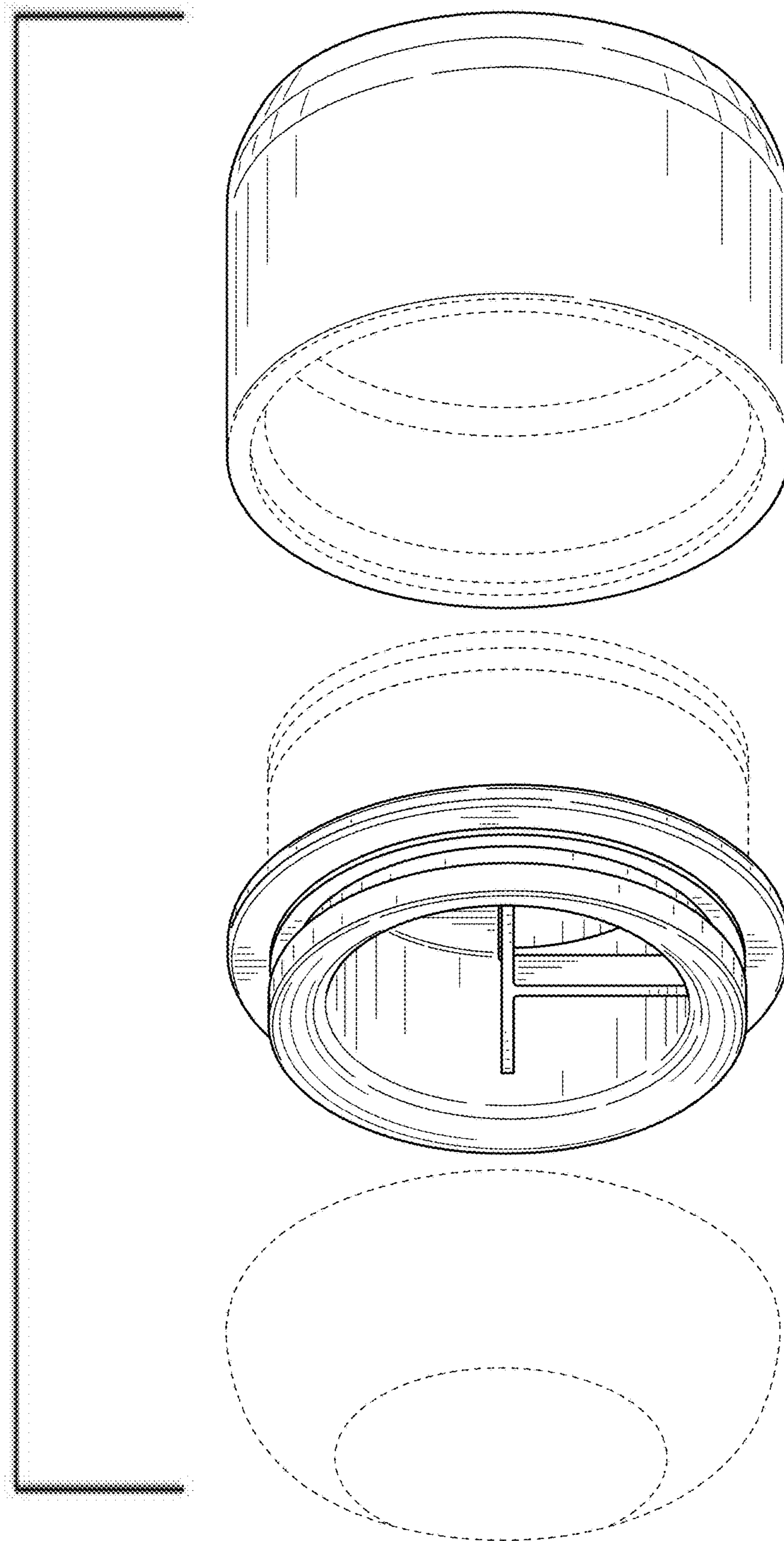


FIG. 23

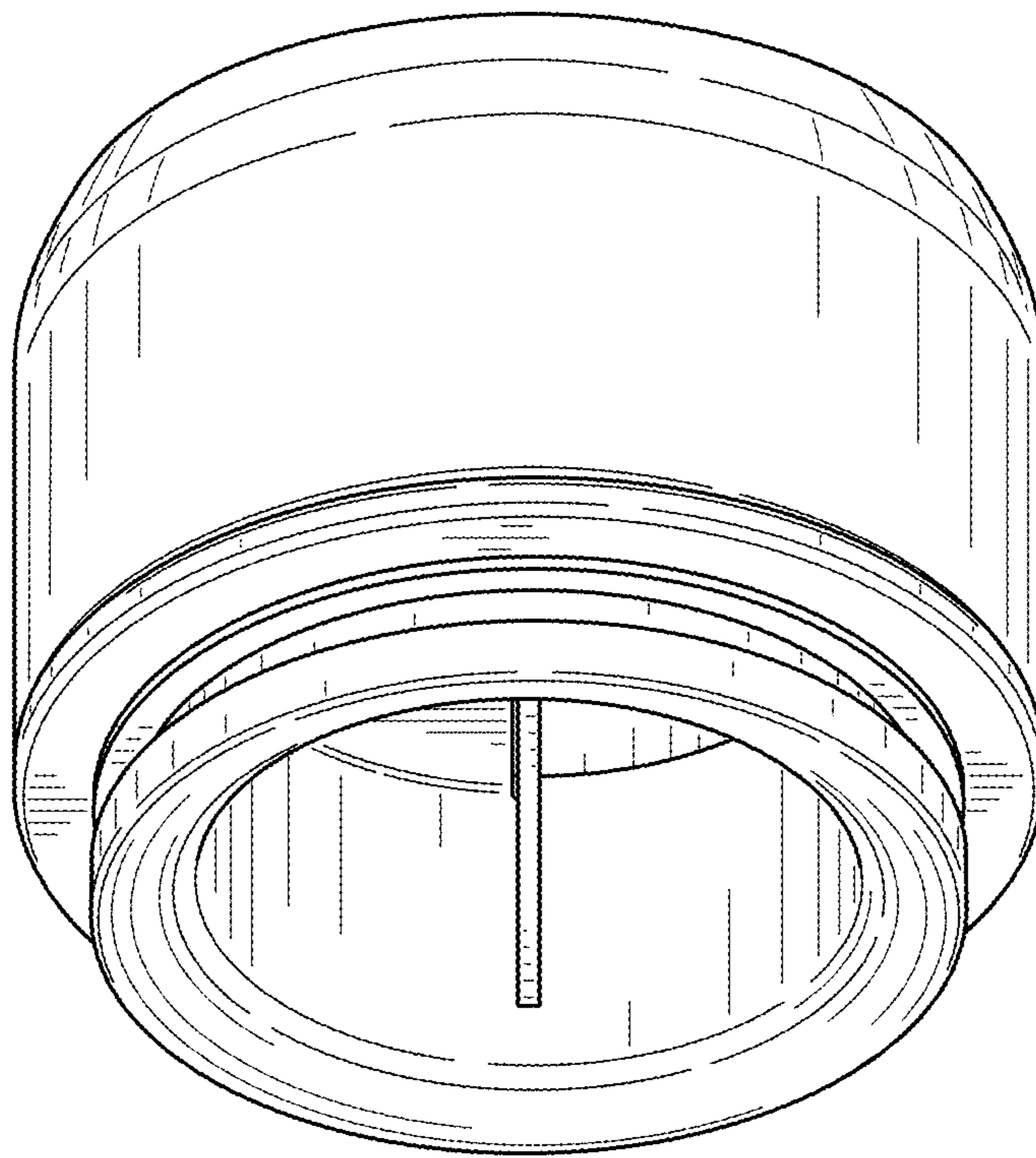


FIG. 24

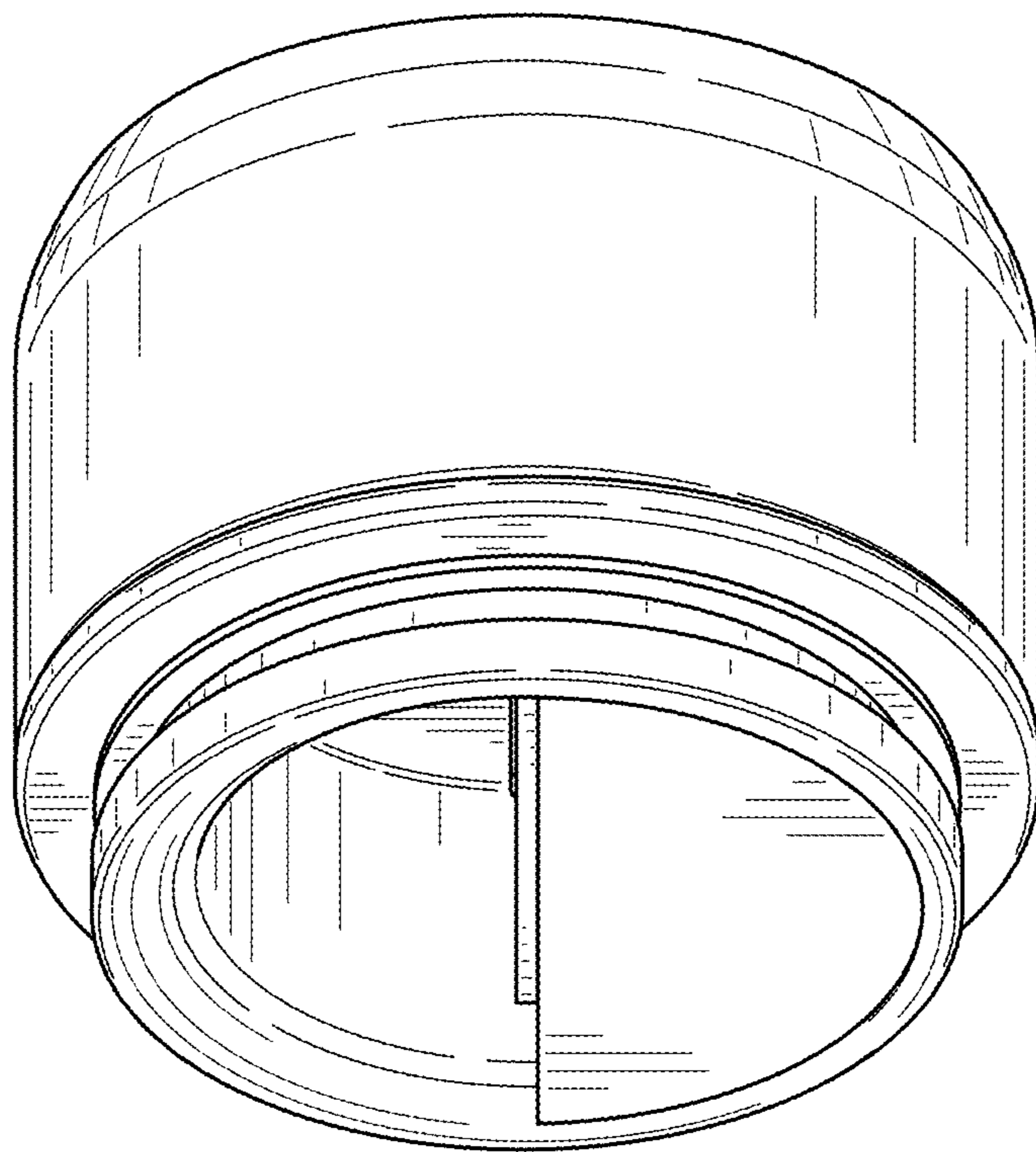


FIG. 25

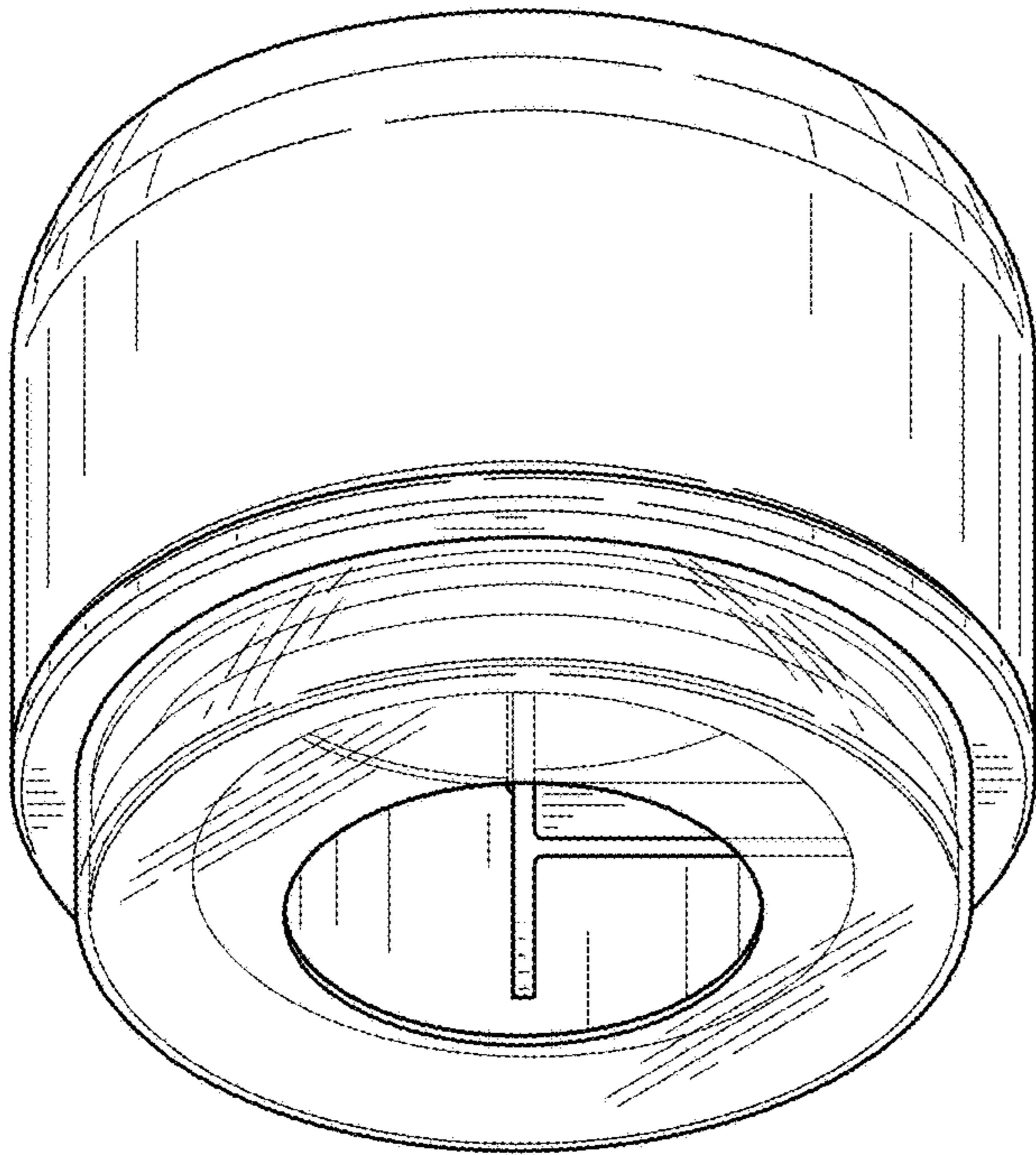


FIG. 26

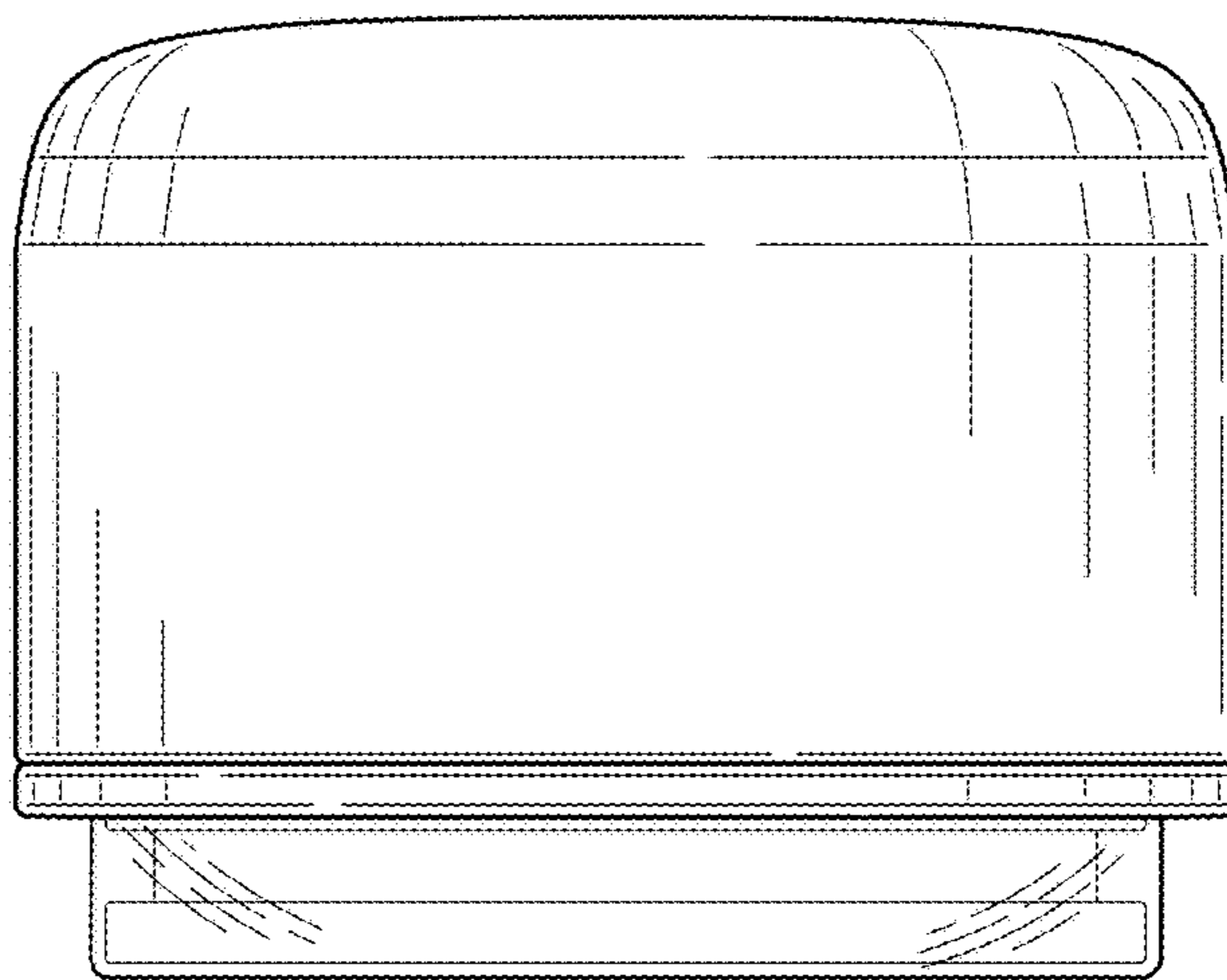


FIG. 27

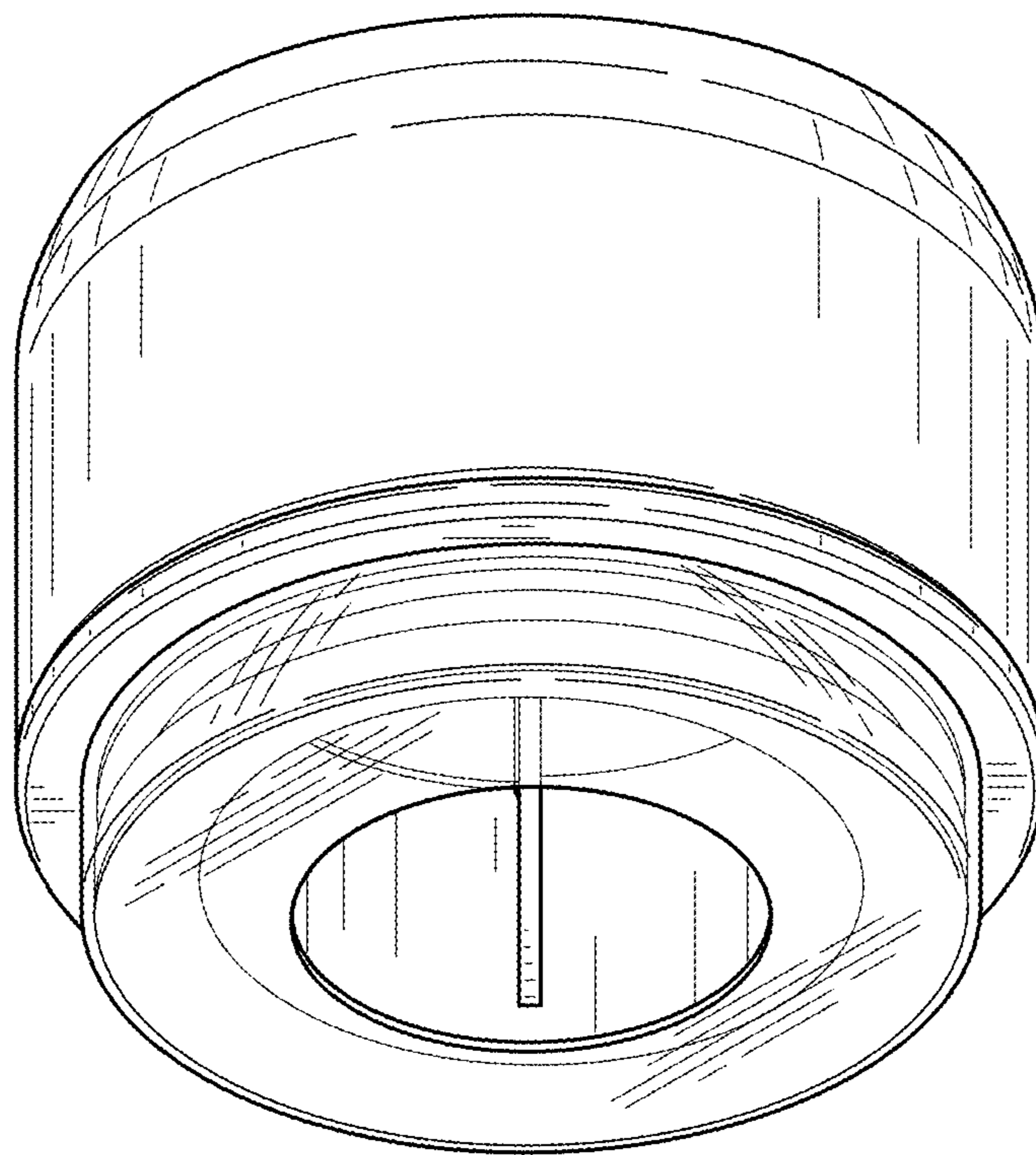


FIG. 28

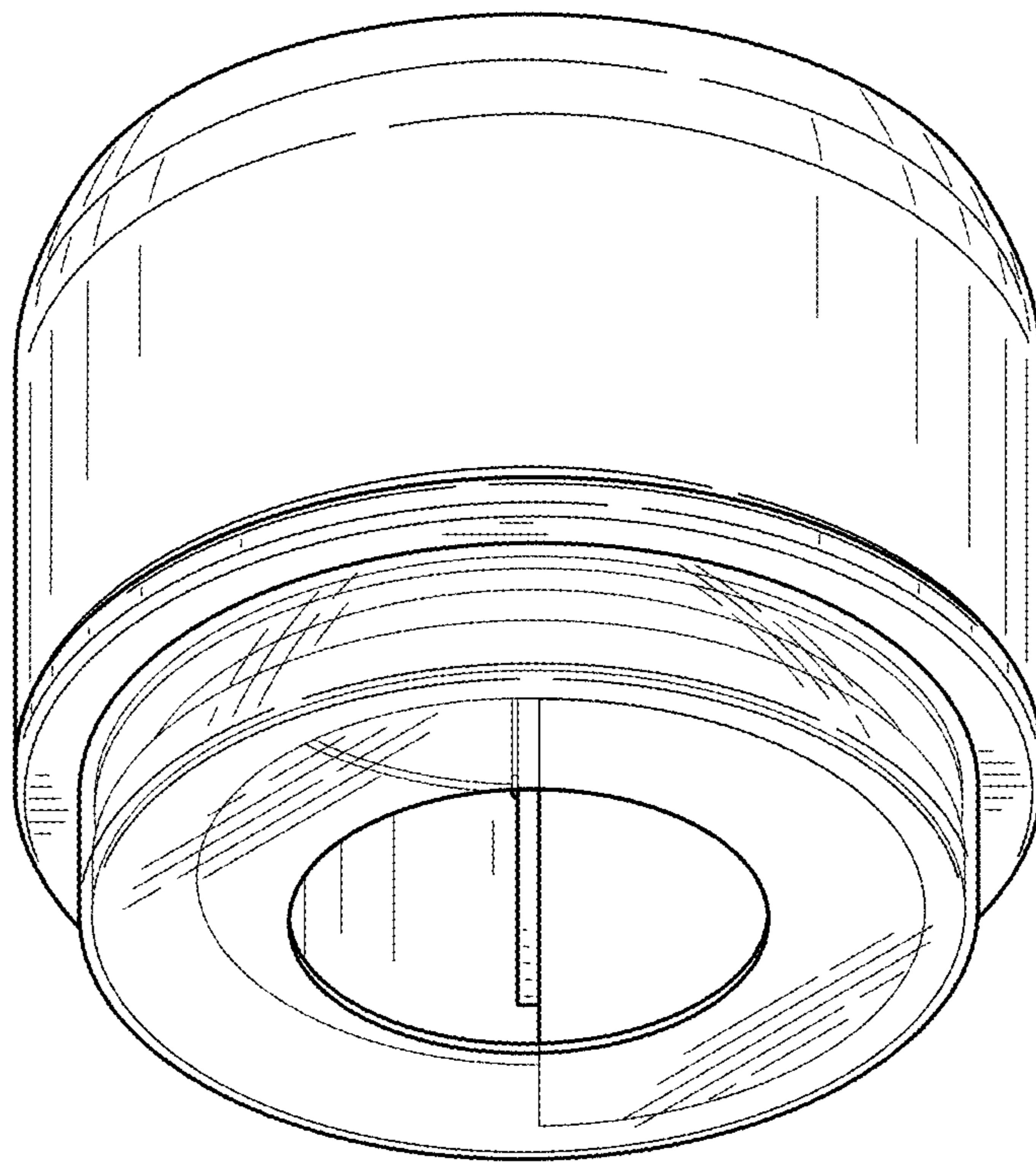


FIG. 29