



US00D791957S

(12) **United States Design Patent**  
**Freshwater**

(10) **Patent No.:** **US D791,957 S**

(45) **Date of Patent:** **\*\* Jul. 11, 2017**

(54) **WOUND DRESSING**

(71) Applicant: **Brian Shawn Freshwater,**  
McDonough, GA (US)

(72) Inventor: **Brian Shawn Freshwater,**  
McDonough, GA (US)

(\*\*) Term: **15 Years**

(21) Appl. No.: **29/527,492**

(22) Filed: **May 19, 2015**

(51) **LOC (10) Cl.** ..... **24-04**

(52) **U.S. Cl.**  
USPC ..... **D24/189**

(58) **Field of Classification Search**  
USPC ..... D24/189-192  
CPC ..... A61F 5/0118; A61F 13/02; A61F 9/04;  
A61F 5/08; A61F 13/0273; A61F 13/108;  
Y10T 428/28; A61N 1/044; A61N 1/30;  
A61B 17/085; A61B 2017/06176; A61B  
17/06166; A61B 17/064; A61B  
2017/06057; A61B 2017/00526; A61B  
2017/081; A61B 2017/00004; A61B  
2017/086; A61B 17/1146; A61B 90/02  
See application file for complete search history.

(56) **References Cited**

**U.S. PATENT DOCUMENTS**

4,141,363	A *	2/1979	James	.....	A61B 17/085 606/216
4,702,251	A *	10/1987	Sheehan	.....	A61B 17/085 606/216
4,825,866	A *	5/1989	Pierce	.....	A61B 17/085 606/216
4,881,546	A *	11/1989	Kaessmann	.....	A61B 17/085 24/381
5,497,788	A *	3/1996	Inman	.....	A61B 17/085 128/888
5,630,430	A *	5/1997	Shultz	.....	A61B 17/085 128/888

D433,142	S *	10/2000	Nash	.....	D24/189
6,270,517	B1 *	8/2001	Brotz	.....	A61B 17/064 606/215
D652,145	S *	1/2012	Topaz	.....	D24/145
D686,735	S *	7/2013	Tsuruta	.....	D24/189
9,314,378	B2 *	4/2016	Takada	.....	A61F 13/0289
2005/0034731	A1 *	2/2005	Rousseau	.....	A61B 17/085 128/849
2005/0284801	A1 *	12/2005	Tacklind	.....	A61B 17/085 209/132
2007/0038246	A1 *	2/2007	Lebner	.....	A61B 17/085 606/215

(Continued)

*Primary Examiner* — George D Kirschbaum

*Assistant Examiner* — Jennifer Watkins

(74) *Attorney, Agent, or Firm* — Michael J. Bootcheck,  
LLC

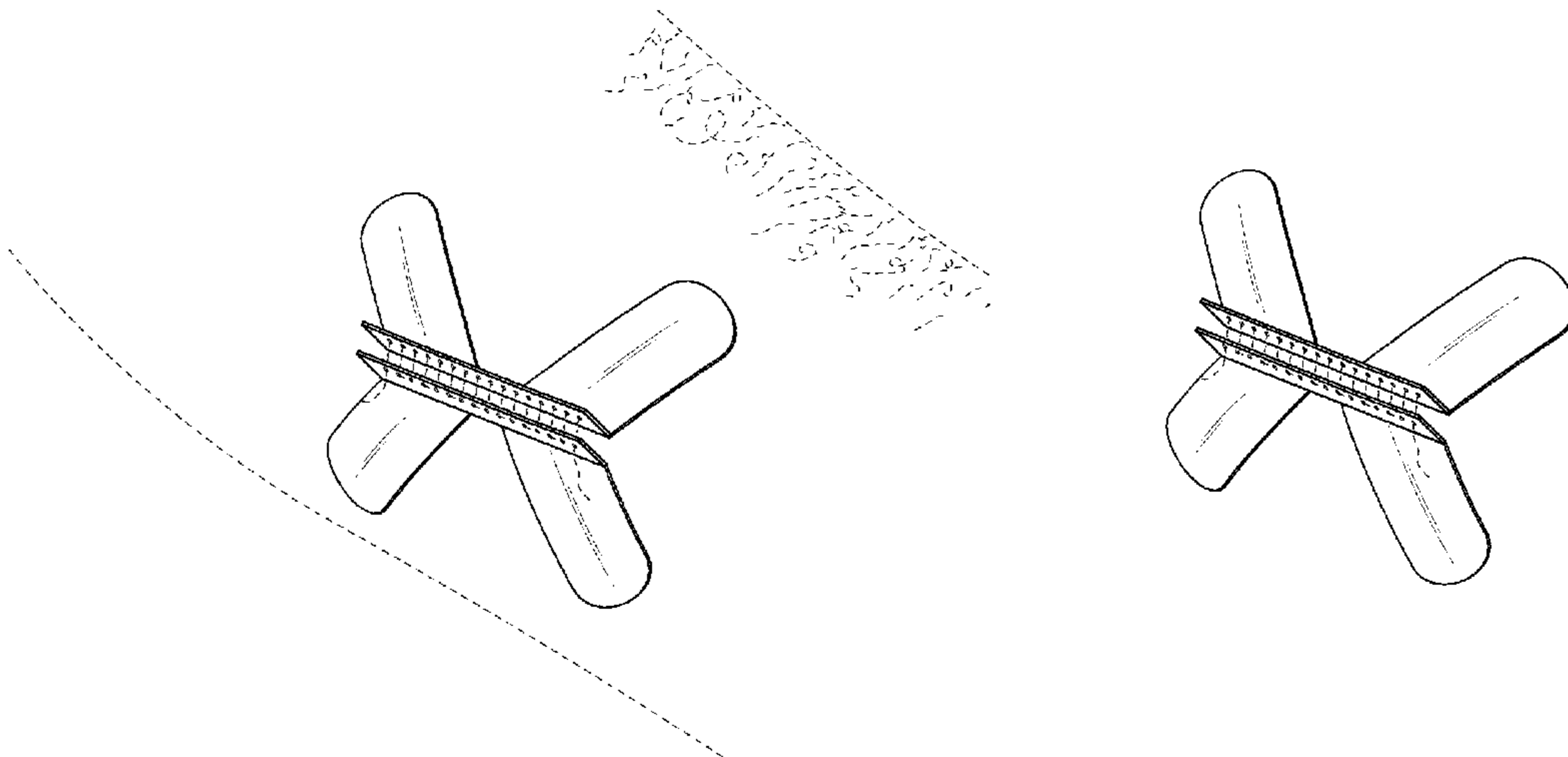
(57) **CLAIM**

The ornamental design for a wound dressing, as shown and described.

**DESCRIPTION**

FIG. 1 is a top perspective view of a wound dressing in a position of use;  
FIG. 2 is another top perspective view thereof;  
FIG. 3 is a top view thereof;  
FIG. 4 is a bottom view thereof;  
FIG. 5 is an end view thereof;  
FIG. 6 is a side view thereof; and,  
FIG. 7 is another side view thereof.  
The broken lines showing of a human arm in FIG. 1 and the broken line showing of threading in FIGS. 1, 3, 4, 5, 6 and 7 are for the purpose of illustrating environment and form no part of the claimed design. The broken line illustrating a wing pattern on the wound dressing is for the purpose of illustrating portions of a wound dressing and forms no part of the claim.

**1 Claim, 2 Drawing Sheets**



(56)

**References Cited**

U.S. PATENT DOCUMENTS

2011/0276089 A1\* 11/2011 Strachnz ..... A61B 17/085  
606/217  
2012/0158054 A1\* 6/2012 Stupak ..... A61B 17/0057  
606/233  
2013/0019569 A1\* 1/2013 Epstein ..... A61F 13/0276  
53/452

\* cited by examiner

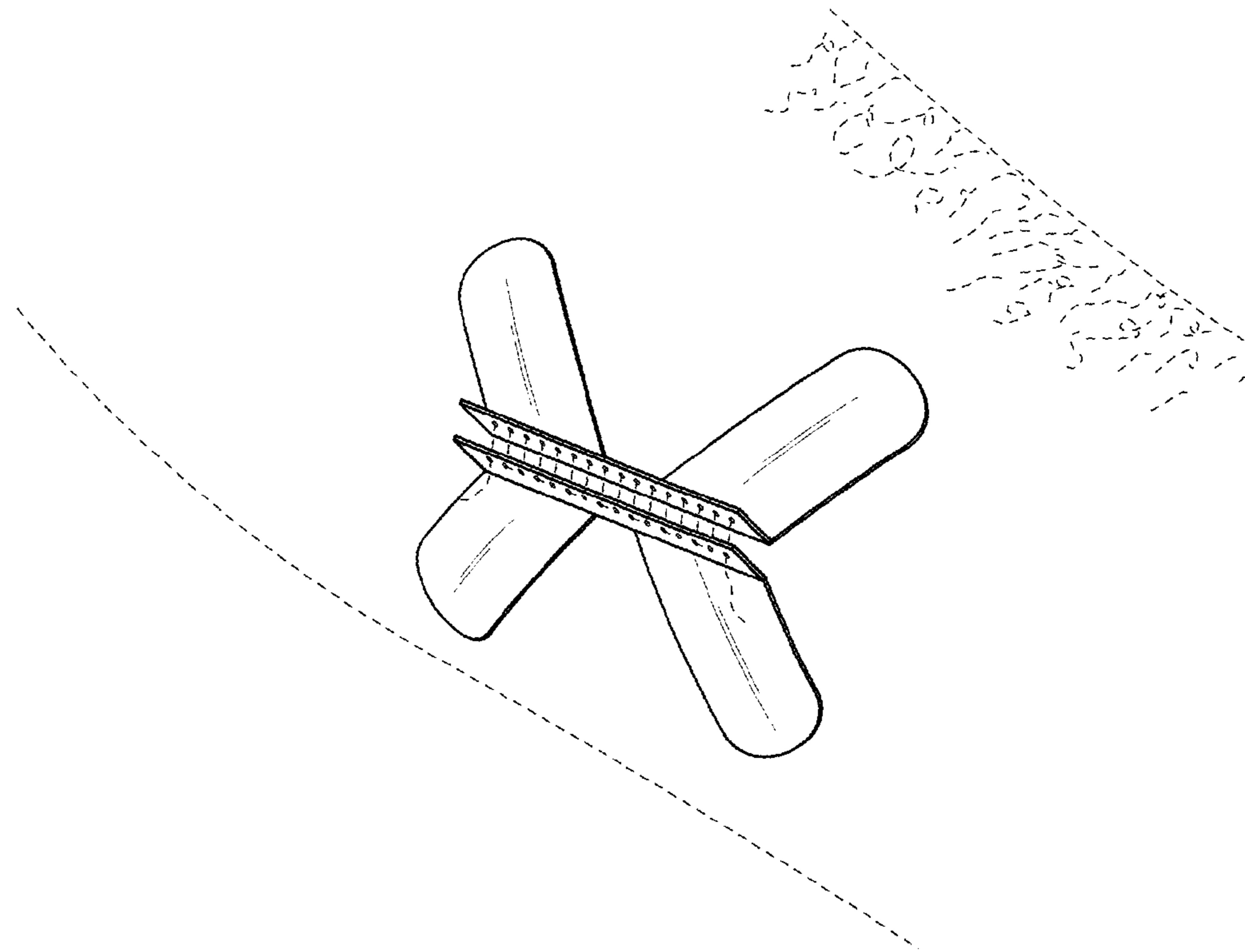


FIG. 1

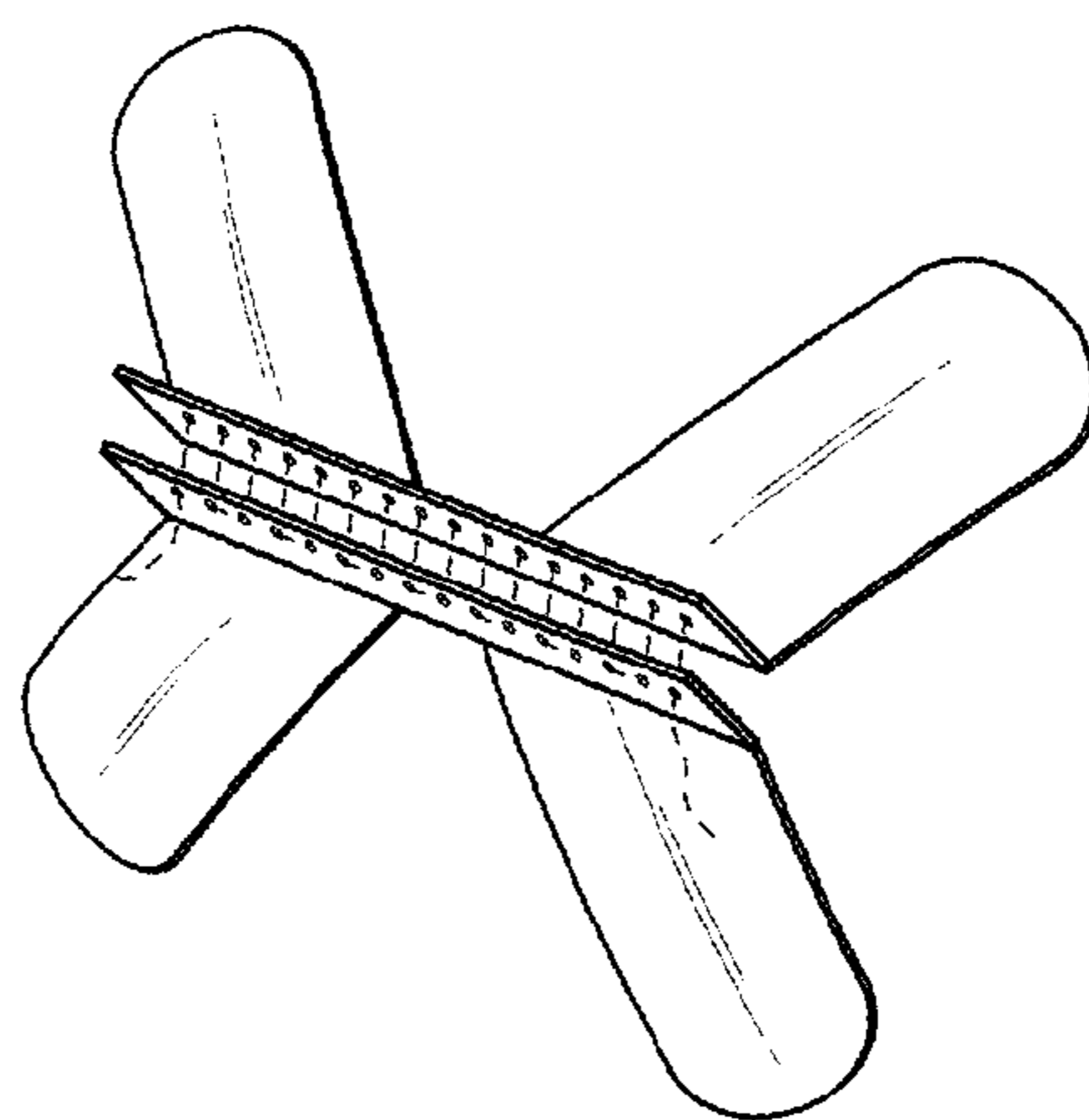


FIG. 2

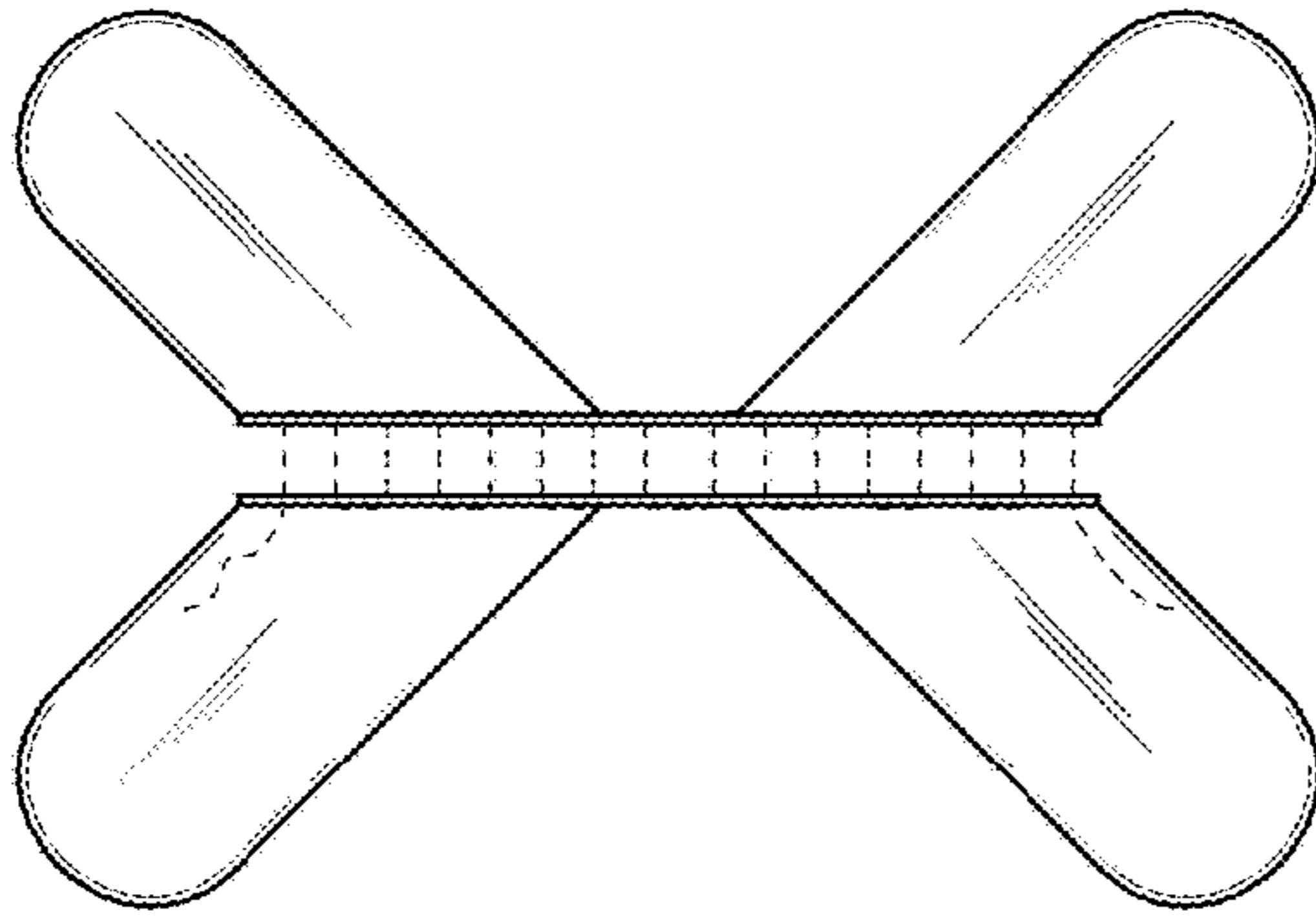


FIG. 3

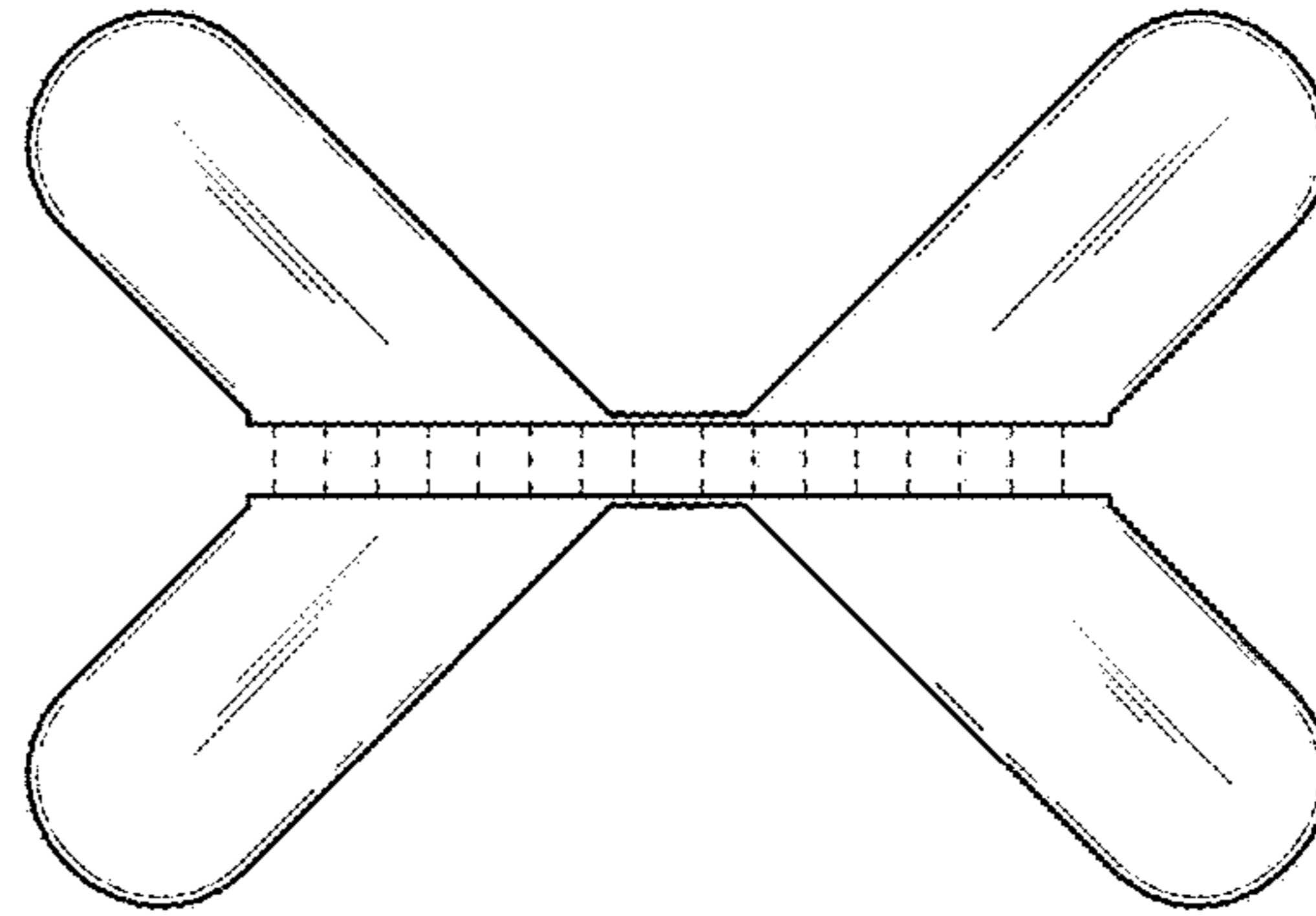


FIG. 4

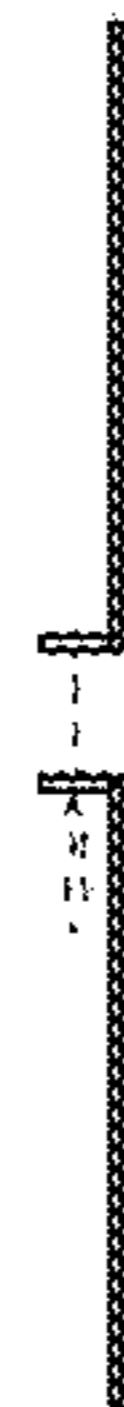


FIG. 5



FIG. 6

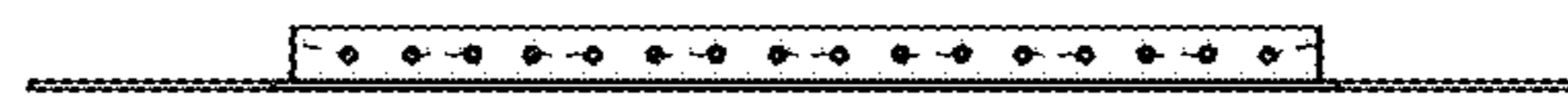


FIG. 7