



US00D791955S

(12) **United States Design Patent**
Gilbert et al.

(10) **Patent No.: US D791,955 S**

(45) **Date of Patent: ** Jul. 11, 2017**

(54) **HOUSING WITH INTERFACE PANEL FOR A PRESSURE SOURCE**

(71) Applicant: **MEDELA HOLDING AG**, Baar (CH)

(72) Inventors: **Deanna Gilbert**, Arlington Heights, IL (US); **David Cho**, Arlington Heights, IL (US); **Federico Ferretti**, Cesena (IT); **Emanuele Teobaldo**, Milan (IT); **Elisa Cucchetto**, Milan (IT); **Jennifer Ashman-Stauss**, Cincinnati, OH (US)

(73) Assignee: **MEDELA HOLDING AG**, Baar (CH)

(**) Term: **14 Years**

(21) Appl. No.: **29/523,653**

(22) Filed: **Apr. 13, 2015**

(51) **LOC (10) Cl.** **24-02**

(52) **U.S. Cl.**
USPC **D24/185; D24/109**

(58) **Field of Classification Search**
USPC D24/185, 108-109, 186
CPC A61M 1/06; A61M 1/062; A61M 1/064
See application file for complete search history.

(56) **References Cited**

U.S. PATENT DOCUMENTS

D496,723 S *	9/2004	Myers	D24/109
D540,939 S *	4/2007	Pukall	D24/109
7,223,255 B2 *	5/2007	Myers	A61M 1/06 604/74
D565,174 S *	3/2008	Pukall	D24/109
7,789,865 B2 *	9/2010	Myers	A61M 1/06 604/327

(Continued)

FOREIGN PATENT DOCUMENTS

CN	303310776	*	3/2015
CN	303441626	*	7/2015

OTHER PUBLICATIONS

Images of Bellema Double Electric Breast Pump (Published before Apr. 13, 2015).

(Continued)

Primary Examiner — Wan Laymon

(74) *Attorney, Agent, or Firm* — Marshall, Gerstein & Borun LLP

(57) **CLAIM**

The ornamental design for a housing with interface panel for a pressure source, as shown and described.

DESCRIPTION

FIG. 1 is a left, front perspective view of a housing with interface panel for a pressure source in accordance with the present invention;

FIG. 2 is a left, rear view of the housing with interface panel for a pressure source illustrated in FIG. 1;

FIG. 3 is a rear perspective view of the housing with interface panel for a pressure source illustrated in FIG. 1;

FIG. 4 is a top view of the housing with interface panel for a pressure source illustrated in FIG. 1;

FIG. 5 is a front view of the housing with interface panel for a pressure source illustrated in FIG. 1;

FIG. 6 is a bottom view of the housing with interface panel for a pressure source illustrated in FIG. 1;

FIG. 7 is a right side view of the housing with interface panel for a pressure source illustrated in FIG. 1;

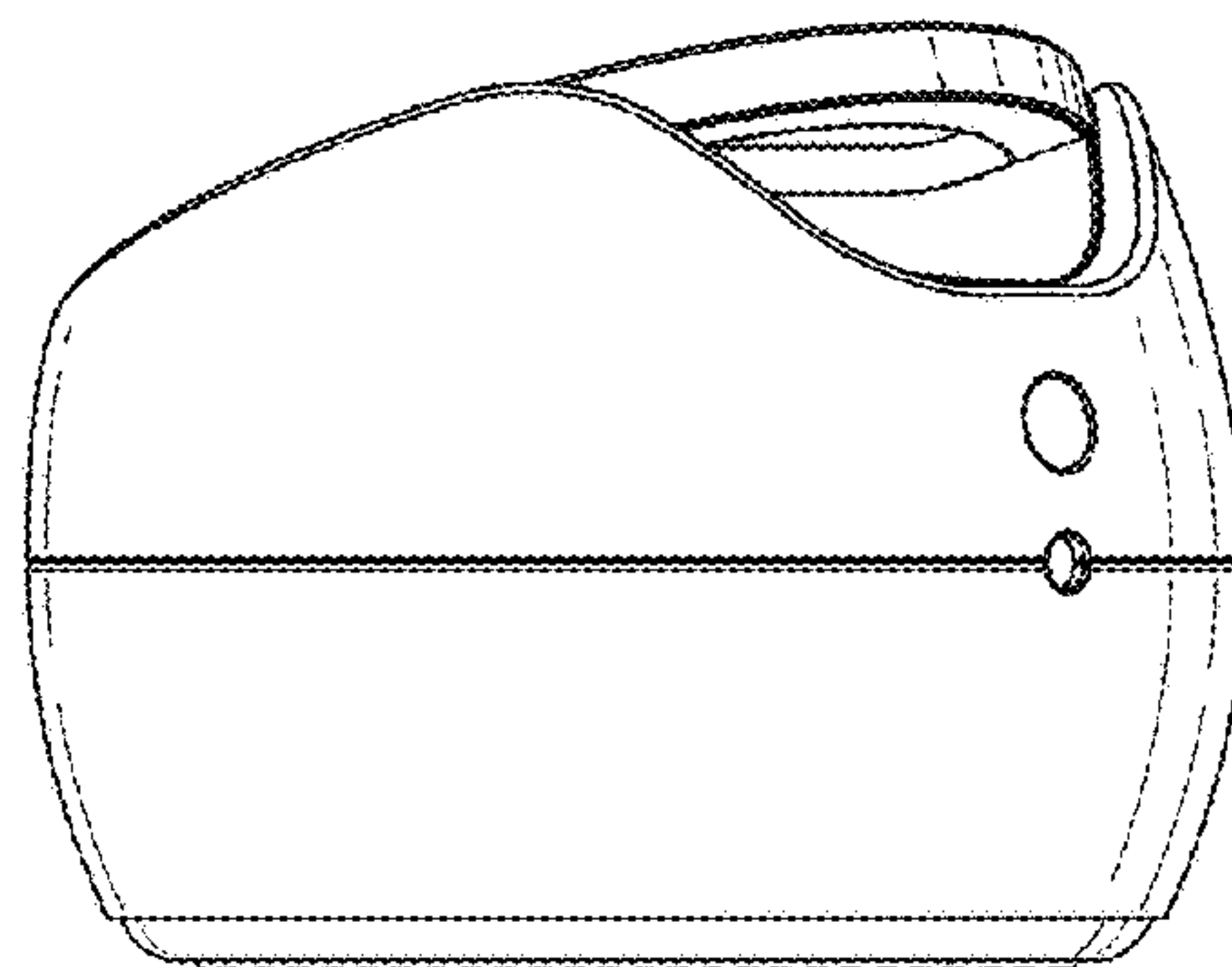
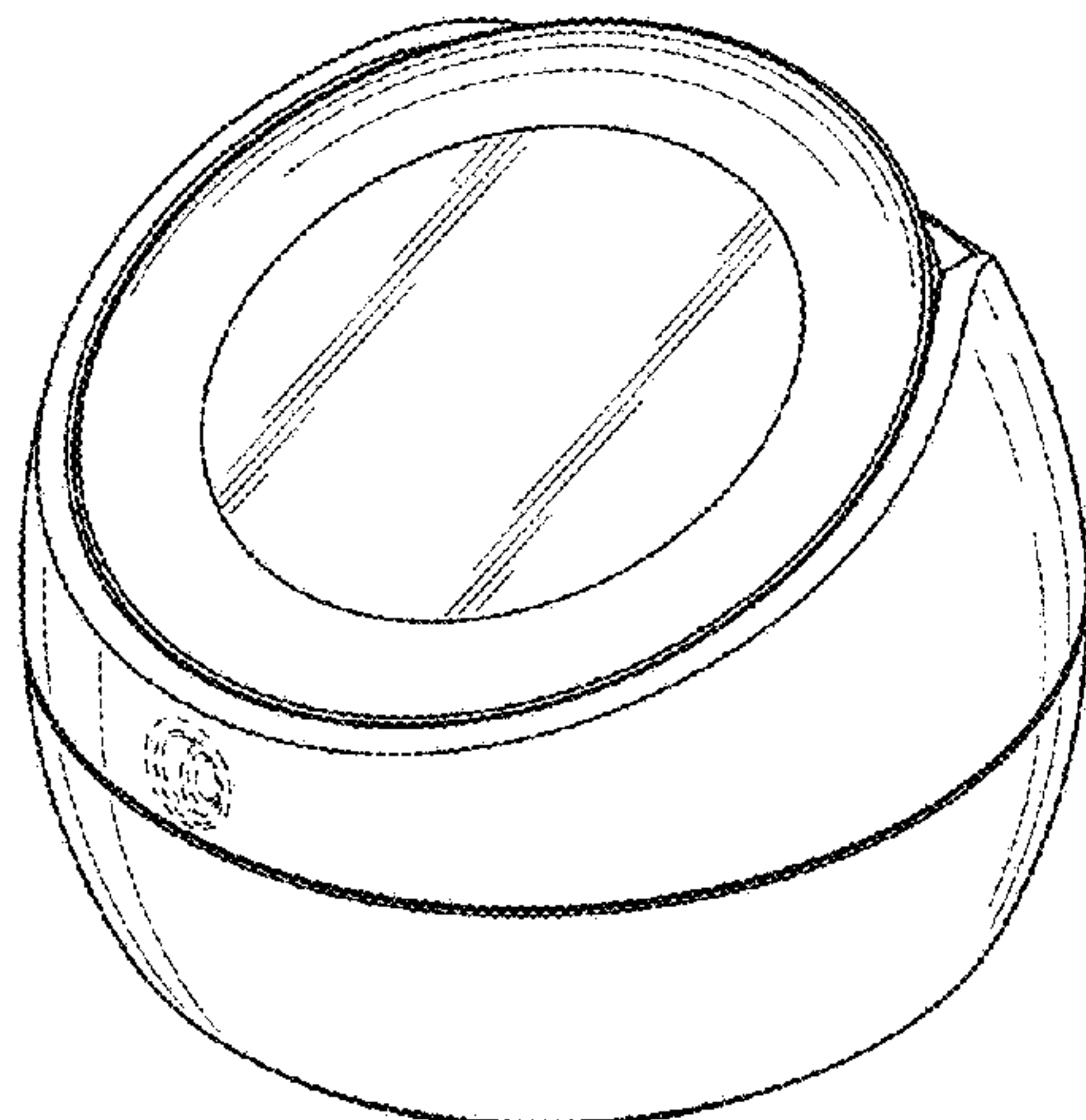
FIG. 8 is a left side view of the housing with interface panel for a pressure source illustrated in FIG. 1; and,

FIG. 9 is a top, front elevational view taken along lines 9-9 of FIG. 8 of the housing with interface panel for a pressure source illustrated in FIG. 1.

The broken lines in the drawing figures do not form part of the claimed design.

The closely-spaced diagonal shade lines in FIGS. 1, 4, 5, and 9 indicate transparency.

1 Claim, 3 Drawing Sheets



(56)

References Cited

U.S. PATENT DOCUMENTS

8,142,393 B2 * 3/2012 Myers A61M 1/06
604/74
D744,086 S * 11/2015 Yamashita D24/109
2005/0080376 A1 * 4/2005 Myers A61M 1/062
604/74
2007/0161947 A1 * 7/2007 Pfenniger A61M 1/06
604/74

OTHER PUBLICATIONS

Images of Spectra® M1 Advanced Electric Breast Pump (Published before Apr. 13, 2015).
Images of Spectra® S1 Double Breast Pump (Published before Apr. 13, 2015).
Images of Spectra® S2 Double Electric Breast Pump (Published before Apr. 13, 2015).
Images of Rumble Tuff® Serene Express Breast Pump (Published before Apr. 13, 2015).
Images of Freemie® Freedom Breast Pump (Published before Apr. 13, 2015).

* cited by examiner

Fig. 1

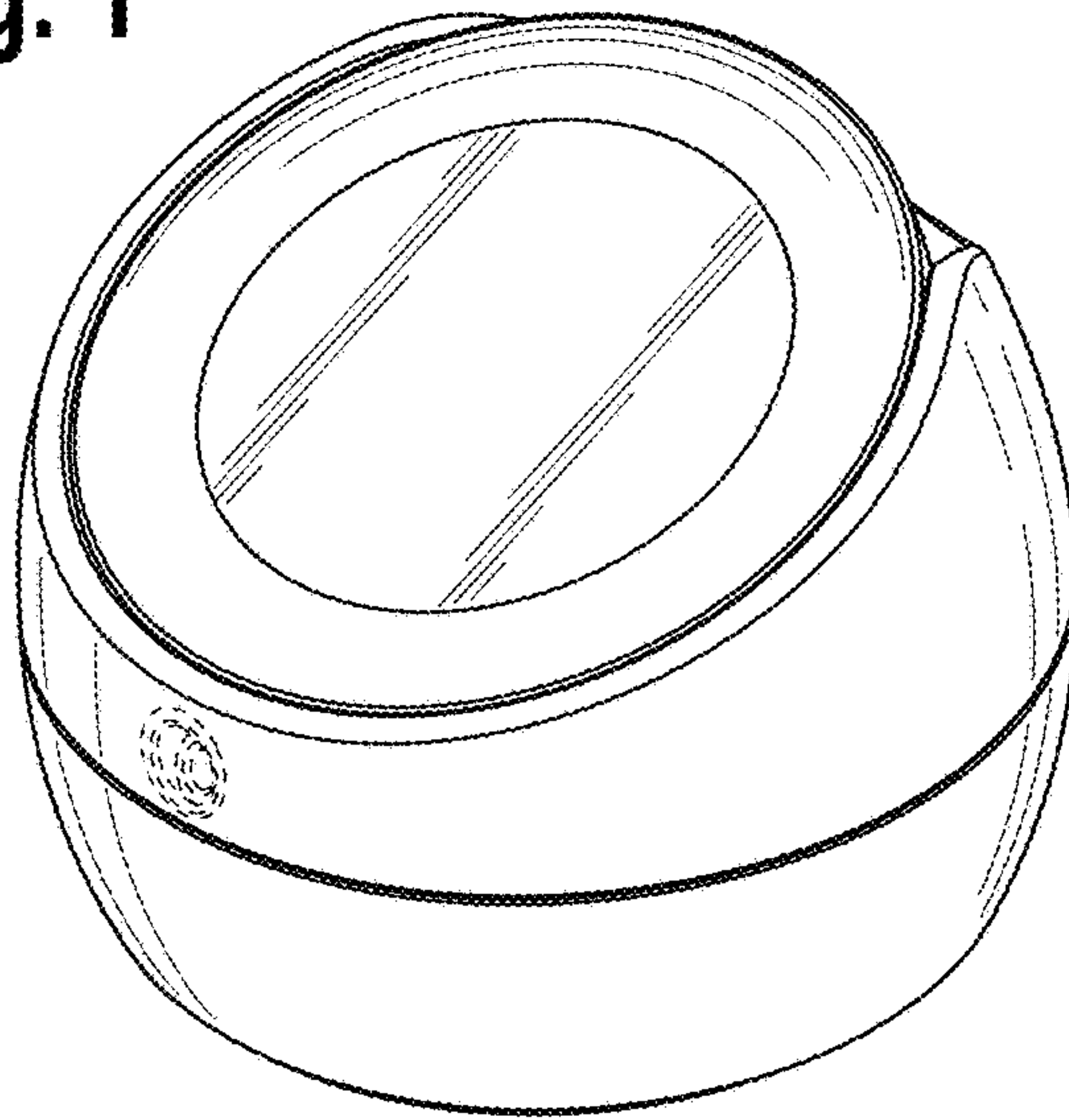


Fig. 2

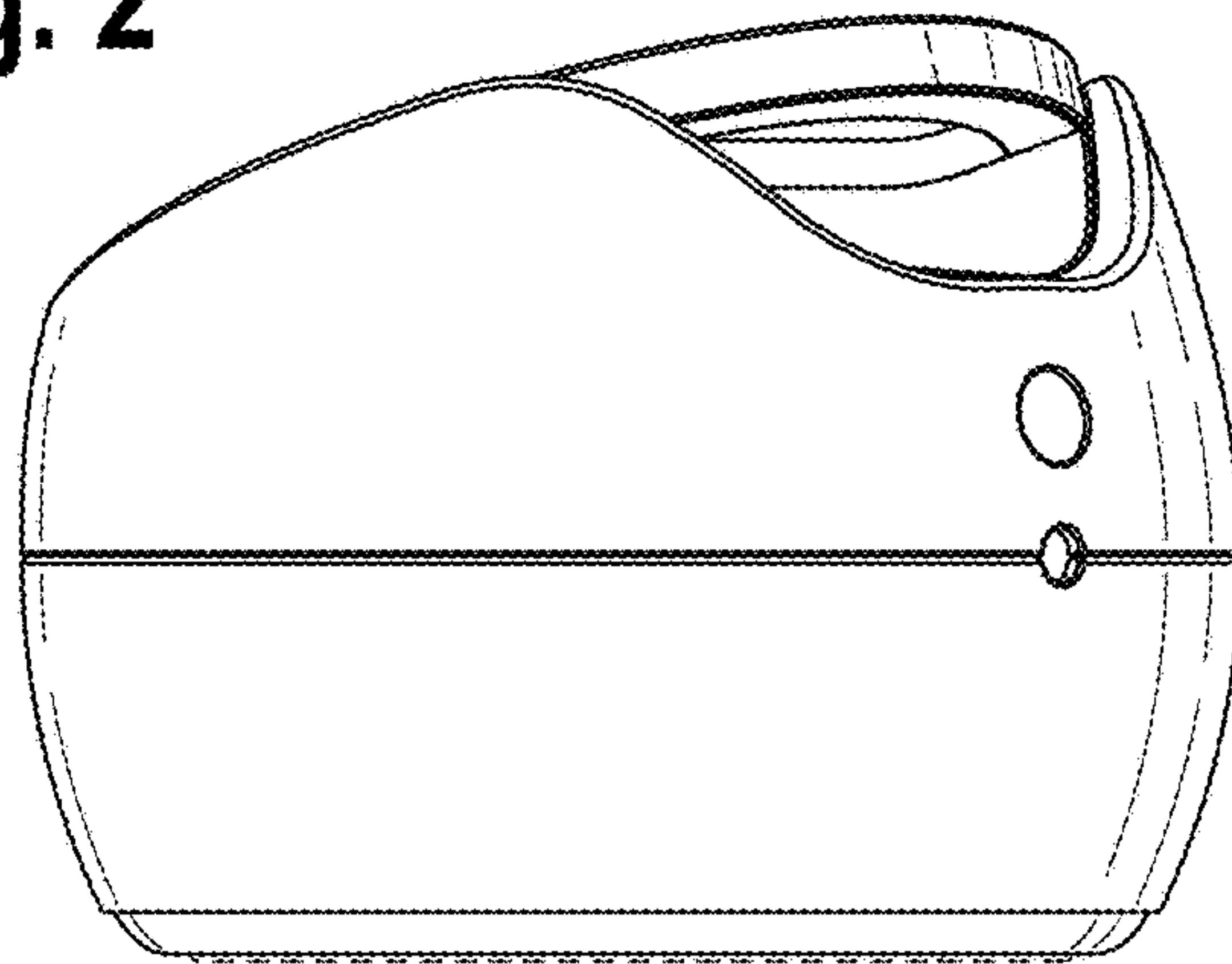


Fig. 3

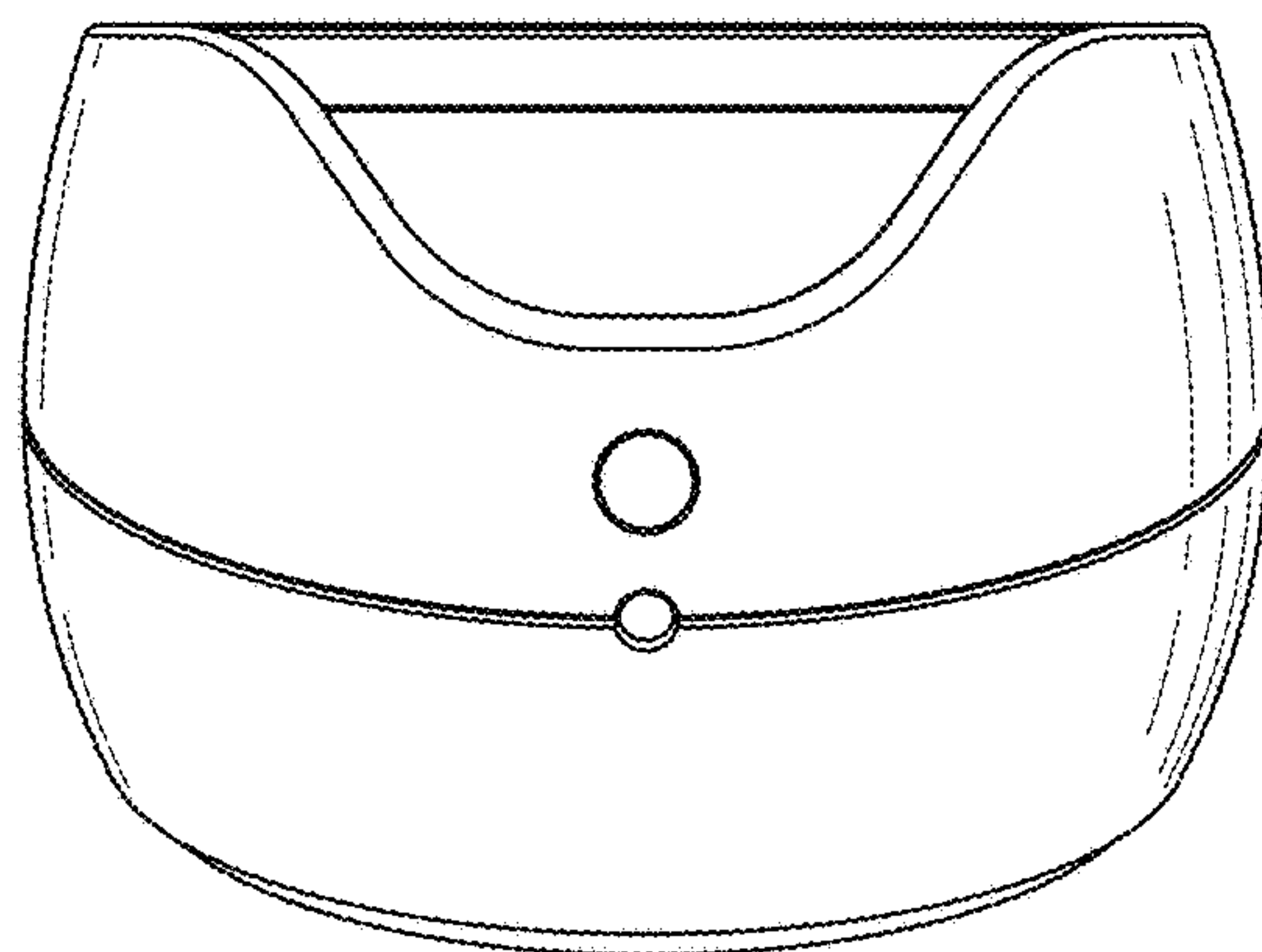


Fig. 4

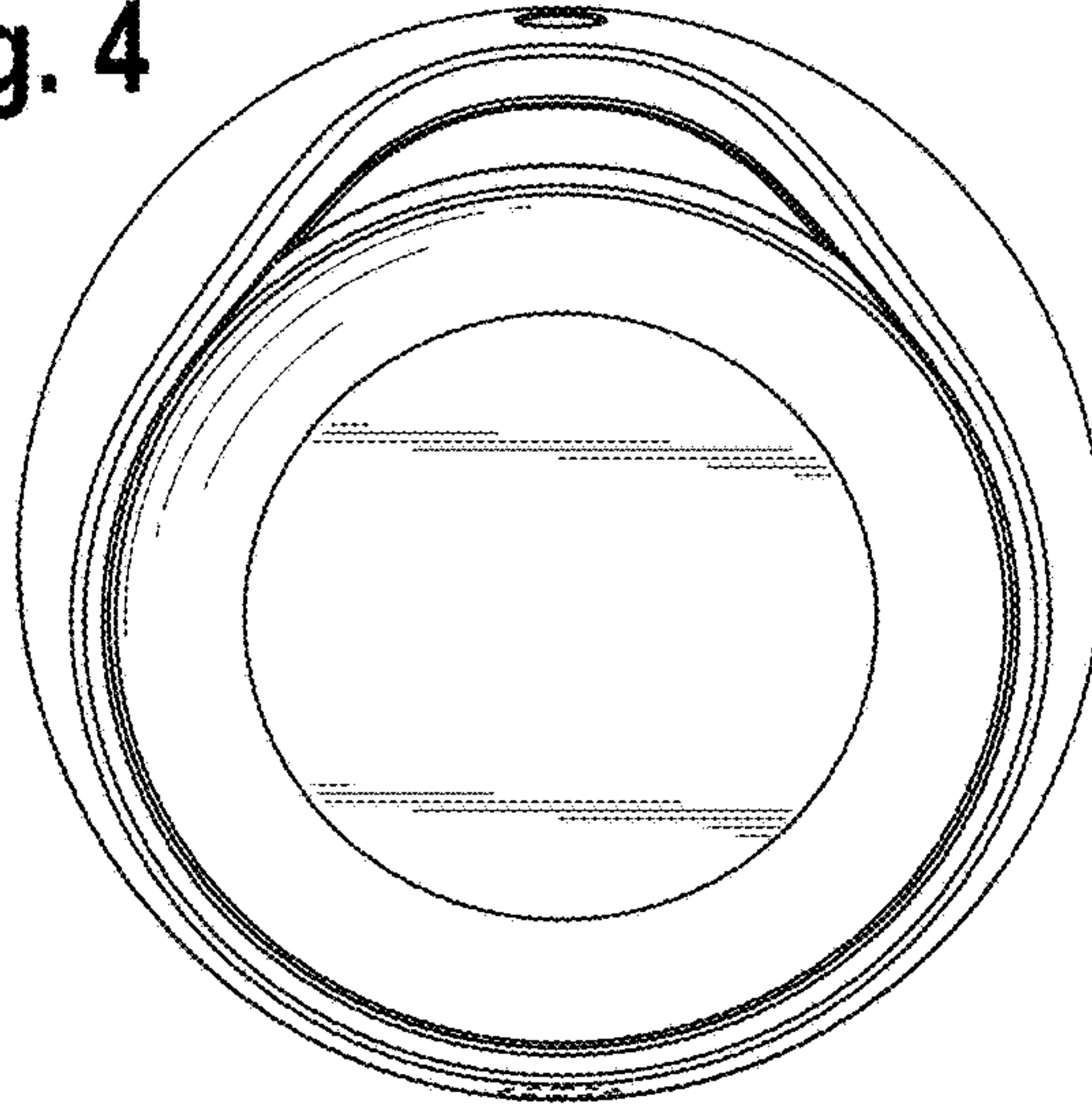


Fig. 5

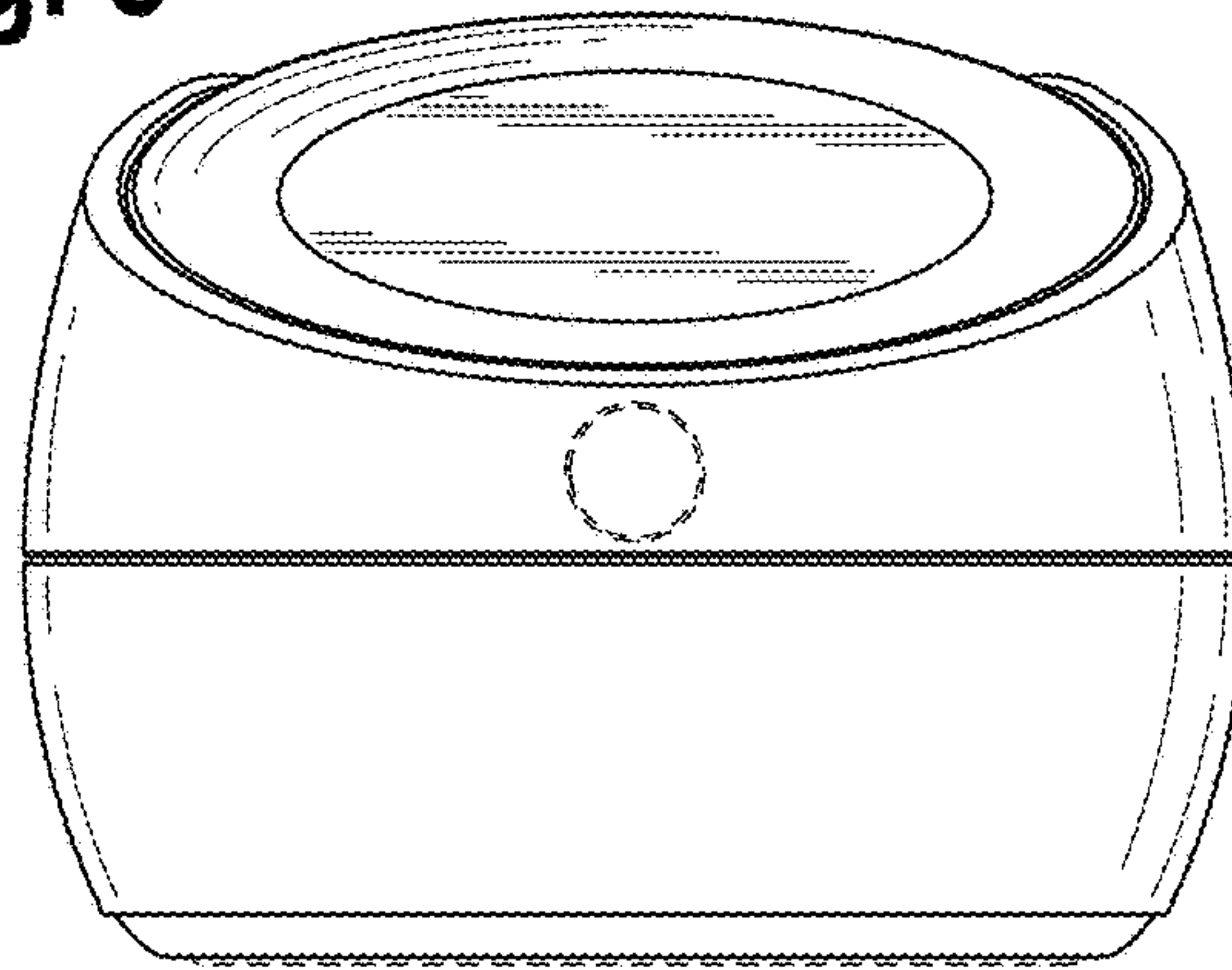


Fig. 6

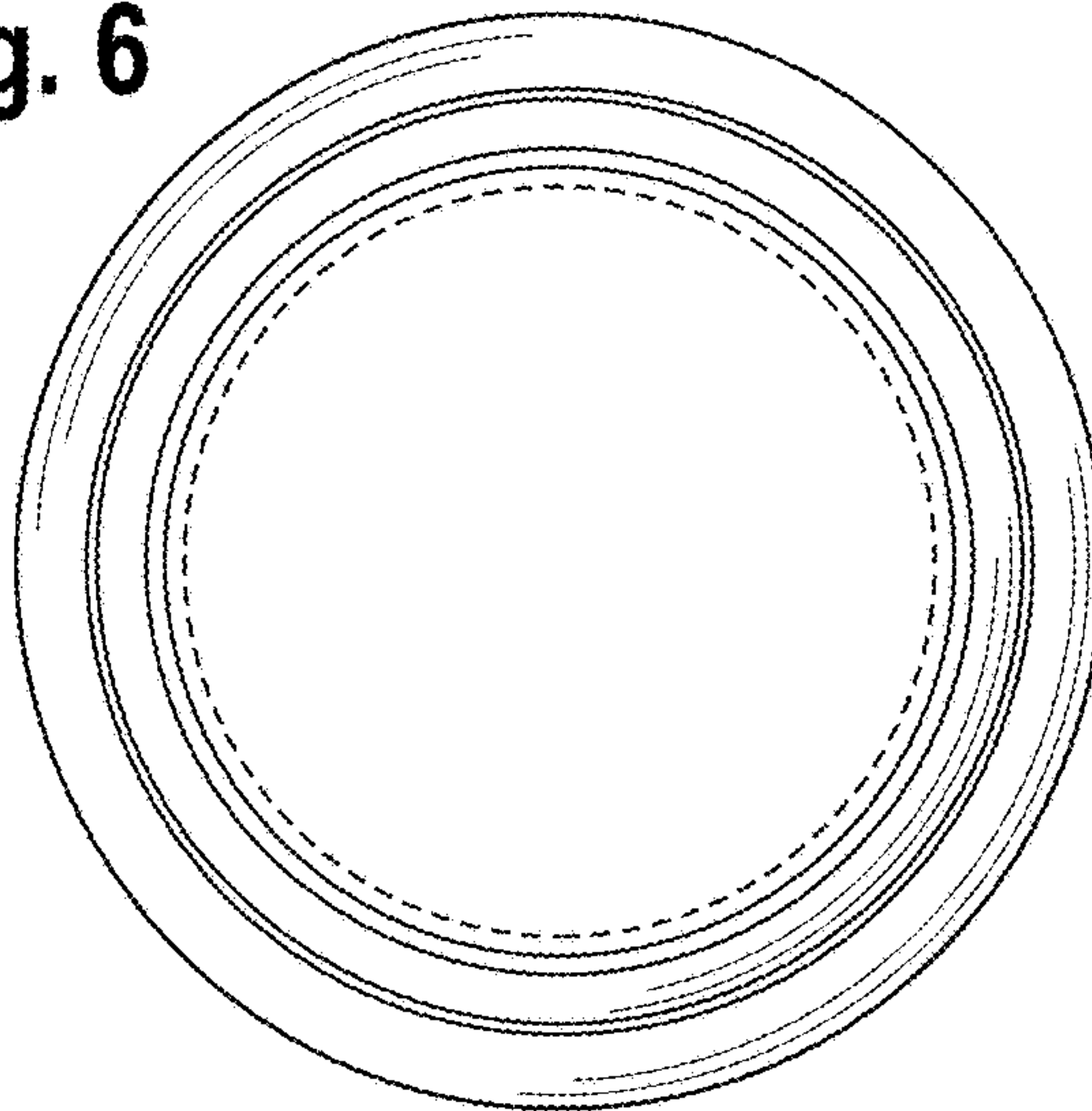


Fig. 7

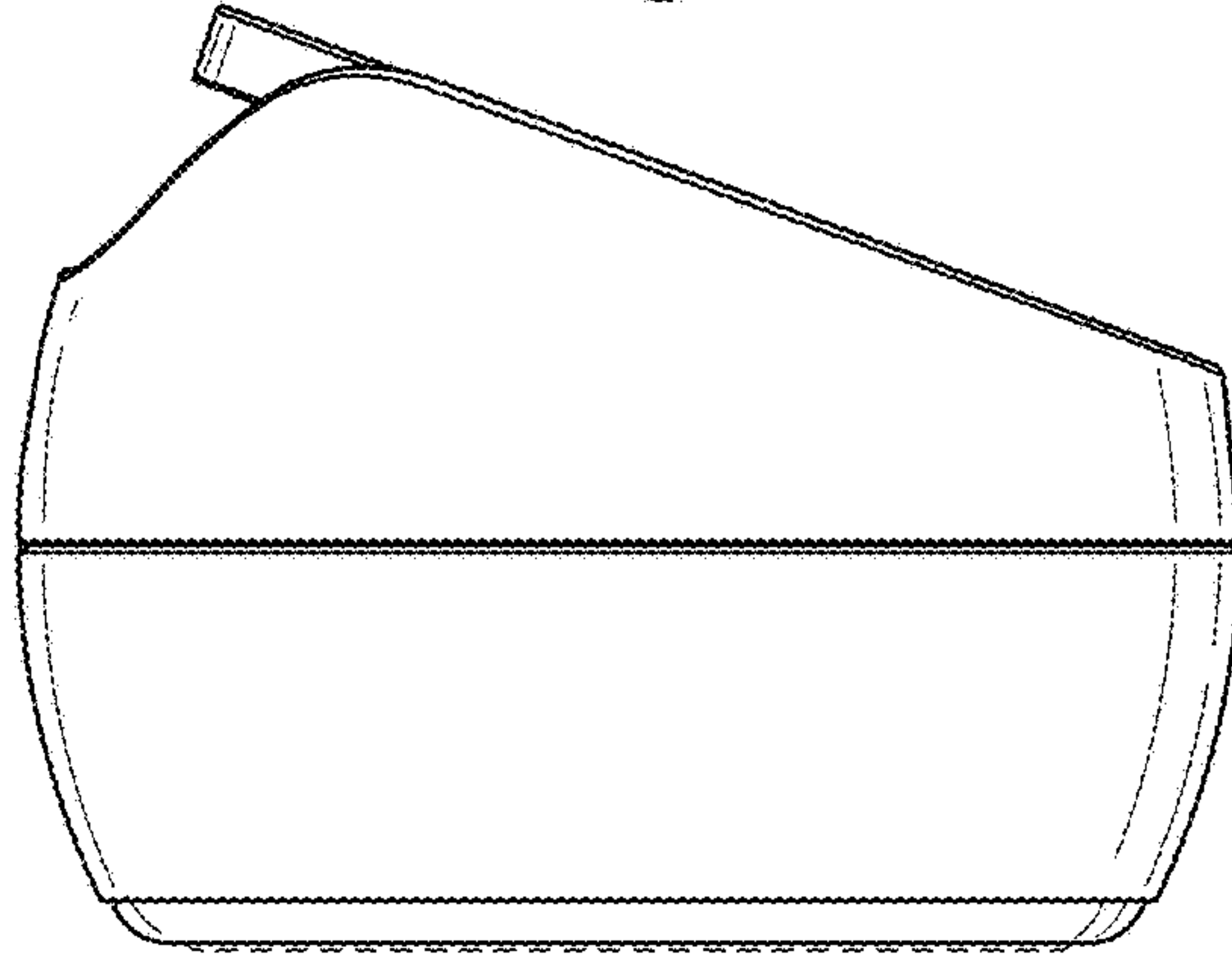


Fig. 8

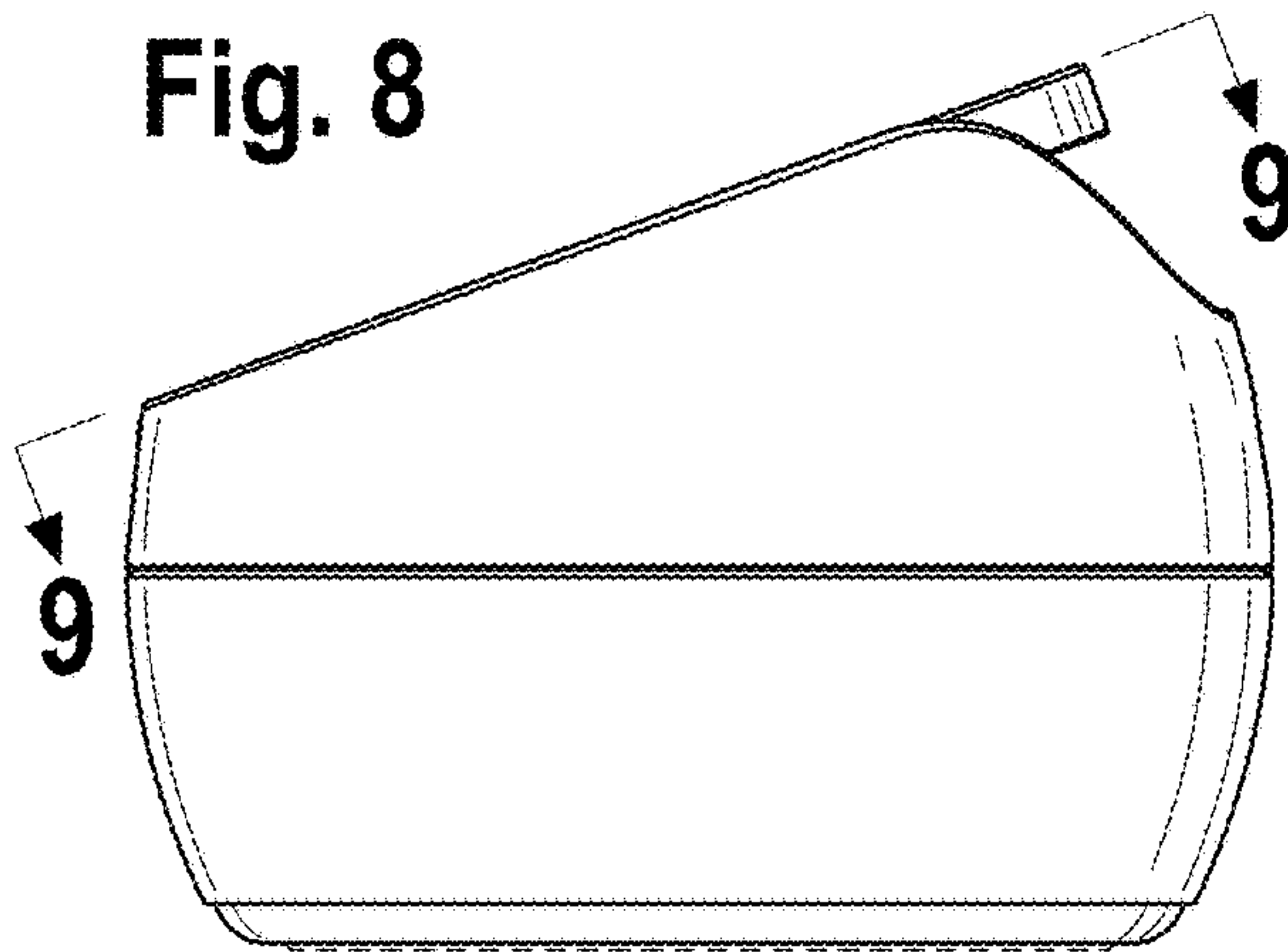


Fig. 9

