



US00D791954S

(12) **United States Design Patent** (10) **Patent No.:** **US D791,954 S**
Wapler et al. (45) **Date of Patent:** **** Jul. 11, 2017**

(54) **SUPPORT PLATE** 6,651,269 B1 * 11/2003 Najar A45D 44/10
4/523
(71) Applicant: **Stryker European Holdings I, LLC,** D601,261 S * 9/2009 Levan D24/184
Kalamazoo, MI (US) D621,093 S * 8/2010 Jenkins D28/20
7,874,024 B1 * 1/2011 Singh A45D 44/10
297/391
(72) Inventors: **Matthias Wapler,** Kirchzarten (DE); D659,250 S * 5/2012 Cottrell D24/183
Sascha Kubis, Freiburg (DE) D702,841 S * 4/2014 Wyrozub D24/184
D721,520 S * 1/2015 Jensen D6/601
(73) Assignee: **STRYKER EUROPEAN** D733,897 S * 7/2015 Rossouw D24/184
HOLDINGS, I, LLC, Kalamazoo, MI D747,493 S * 1/2016 Randabel D24/184
(US) D765,866 S * 9/2016 Randabel D24/184
2005/0257320 A1 * 11/2005 Mollett A47G 9/10
5/636
(**) Term: **14 Years** 2013/0318722 A1 * 12/2013 Kim A47G 9/10
5/632
(21) Appl. No.: **29/511,447** 2016/0073801 A1 * 3/2016 Shin A47G 9/1045
5/636

(22) Filed: **Dec. 10, 2014**
(30) **Foreign Application Priority Data**
Nov. 5, 2014 (EM) 001424378-0008
(51) **LOC (10) Cl.** **24-01**
(52) **U.S. Cl.**
USPC **D24/184; D24/183**
(58) **Field of Classification Search**
USPC D24/143, 171, 183-185, 188, 190-191,
D24/200
CPC ... A61B 8/40; A61B 19/203; A61B 2017/681;
A61B 5/702; A61B 5/704; A61B 5/706;
A61B 5/708; A61B 6/04; A61B
5/150748; A47C 20/027; A47C 20/025;
A47G 9/10; A47G 2009/1018; A61G
13/0036; A61F 5/04
See application file for complete search history.

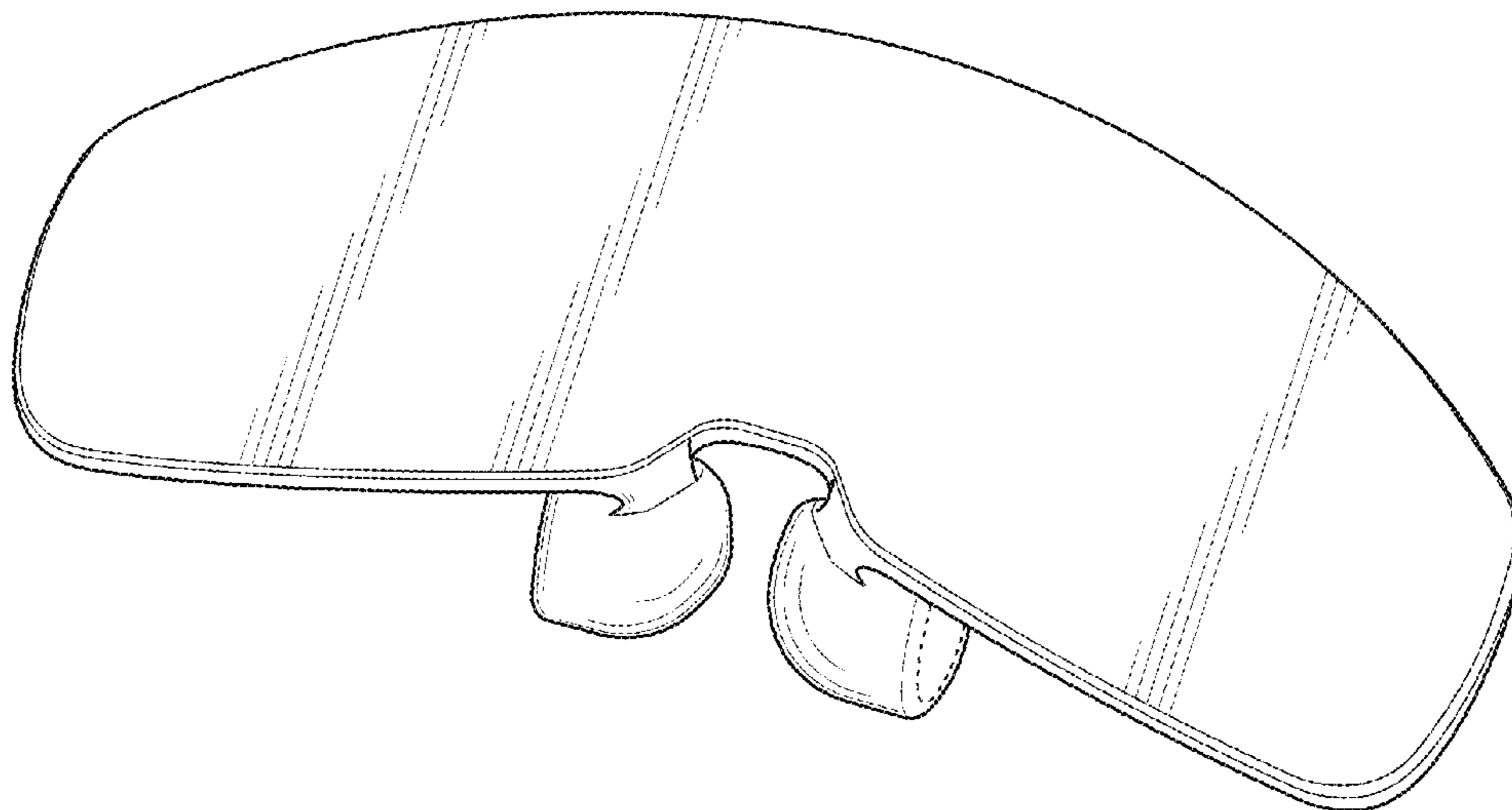
(56) **References Cited**
U.S. PATENT DOCUMENTS
D288,727 S * 3/1987 Mandeville D23/308
5,778,469 A * 7/1998 Festa A47C 7/383
297/393

* cited by examiner
Primary Examiner — Mary Ann Calabrese
Assistant Examiner — Sloan Rozin
(74) *Attorney, Agent, or Firm* — Howard & Howard
Attorneys PLLC

(57) **CLAIM**
The ornamental design for a support plate, as shown and described.

DESCRIPTION
FIG. 1 is a top perspective view of a support plate;
FIG. 2 is a right-side view of the support plate;
FIG. 3 is a top view of the support plate;
FIG. 4 is a left-side view of the support plate;
FIG. 5 is a bottom view of the support plate;
FIG. 6 is a front view of the support plate; and,
FIG. 7 is a rear view of the support plate.
The broken lines shown in FIGS. 1, 2, 4, 5, and 7 are for the purpose of illustrating portions of the support plate and form no part of the claimed design.

1 Claim, 6 Drawing Sheets



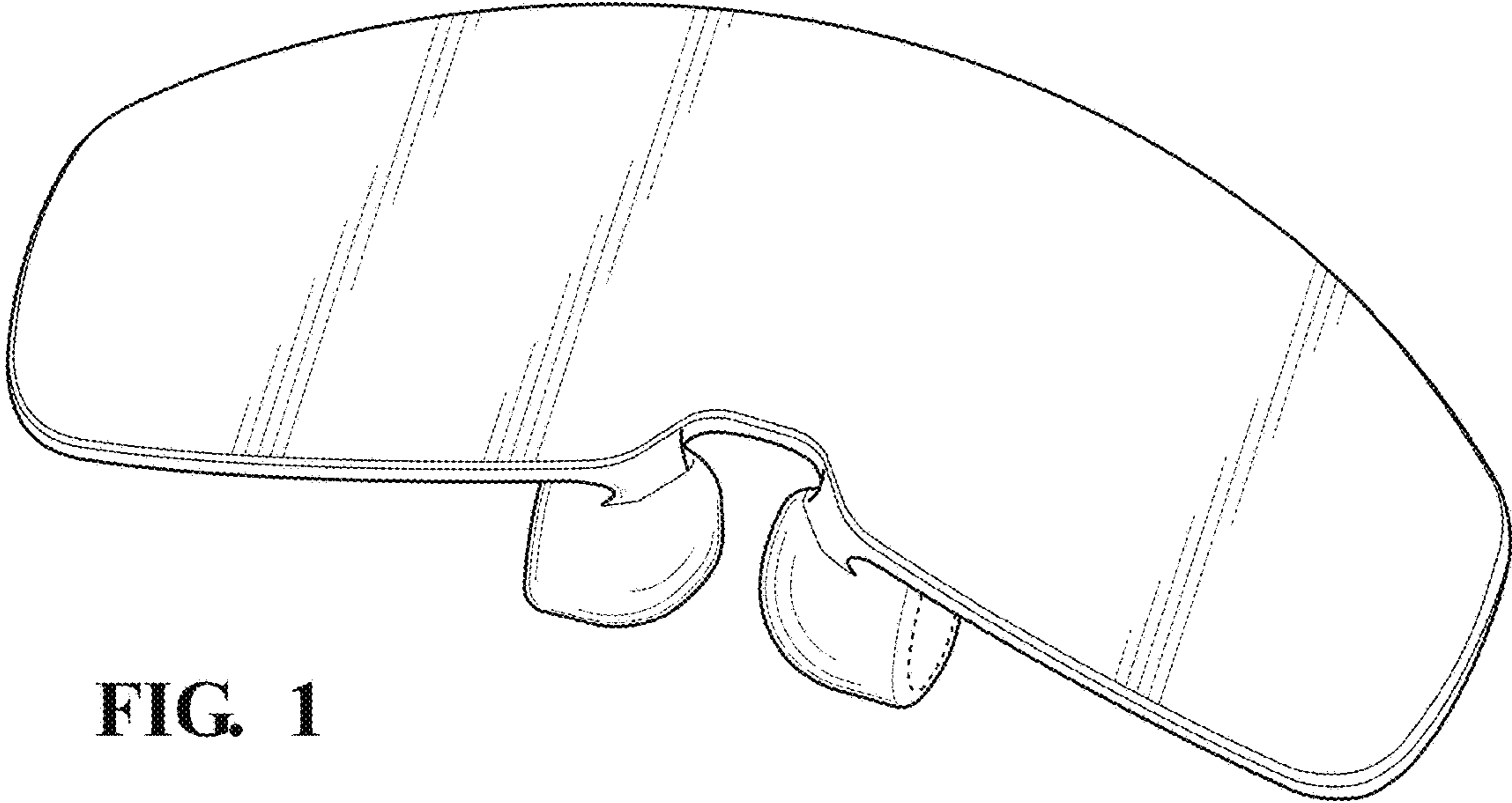


FIG. 1

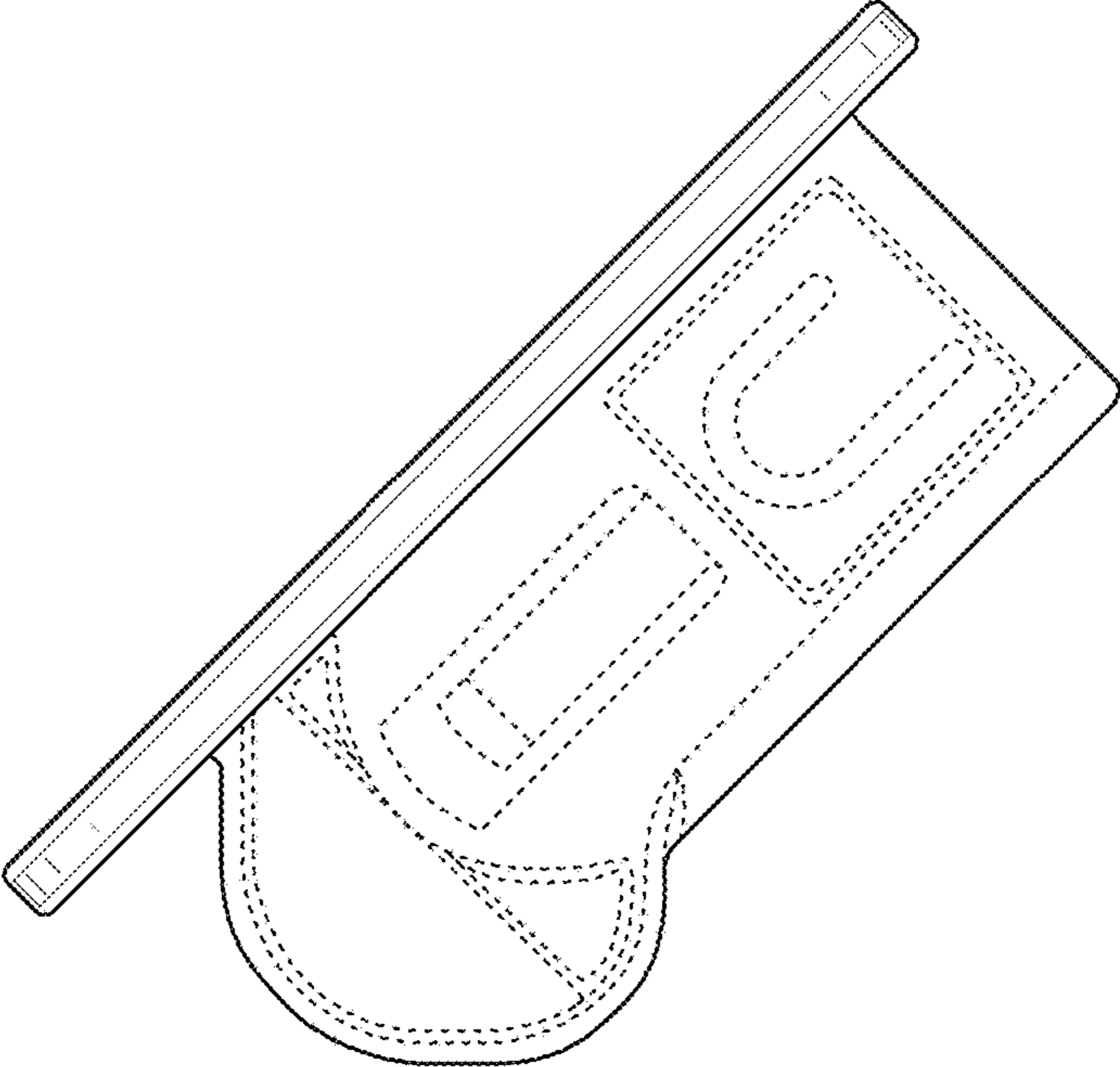


FIG. 2

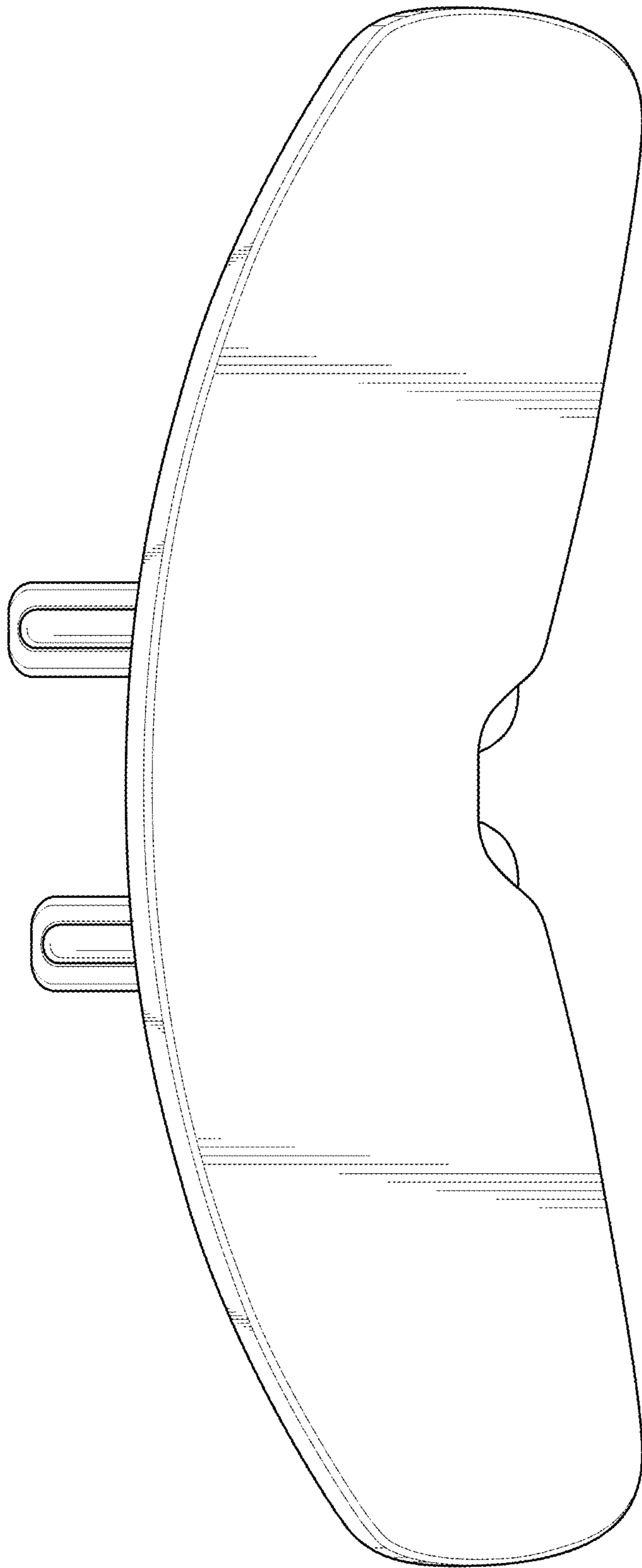


FIG. 3

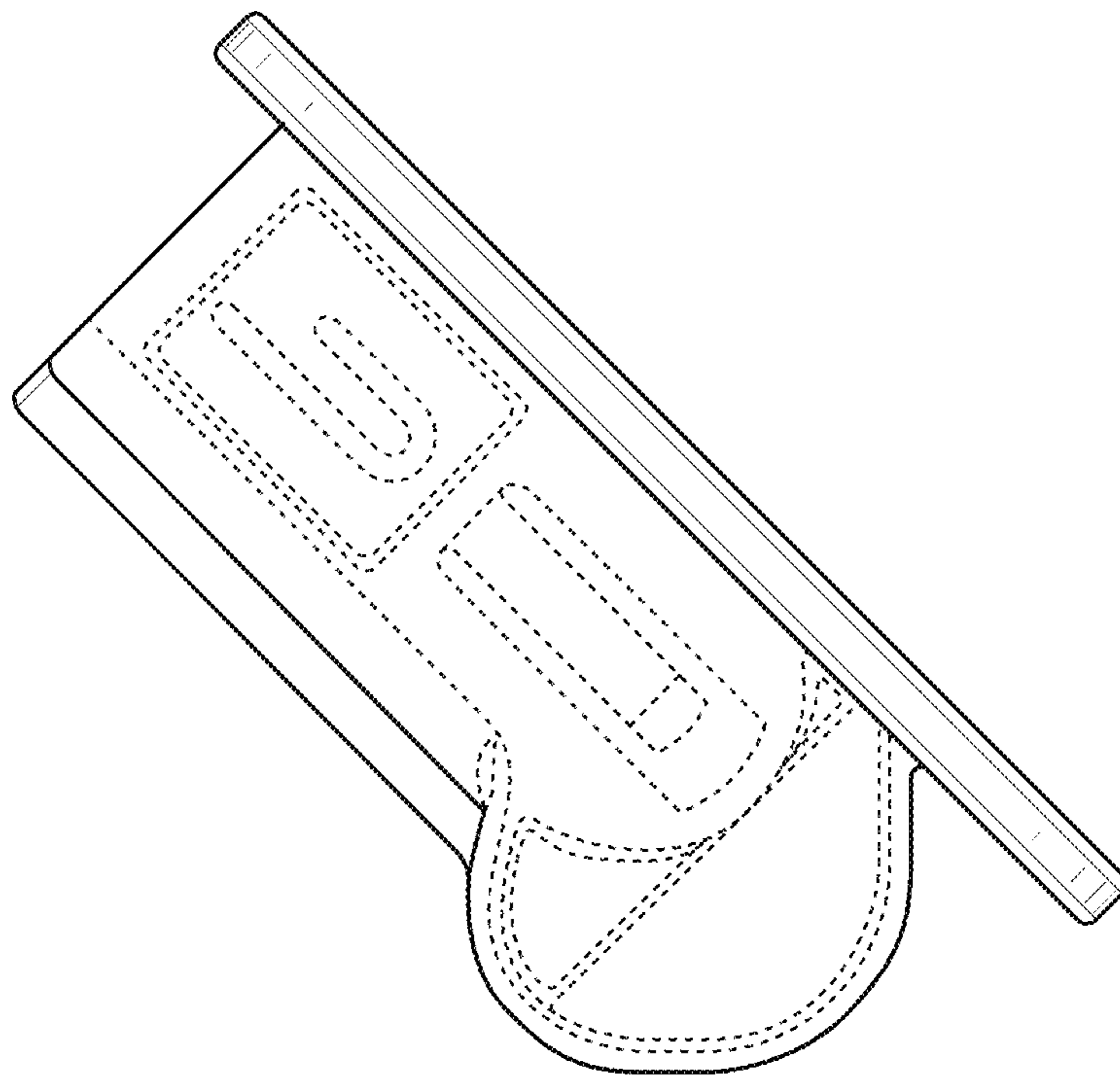


FIG. 4

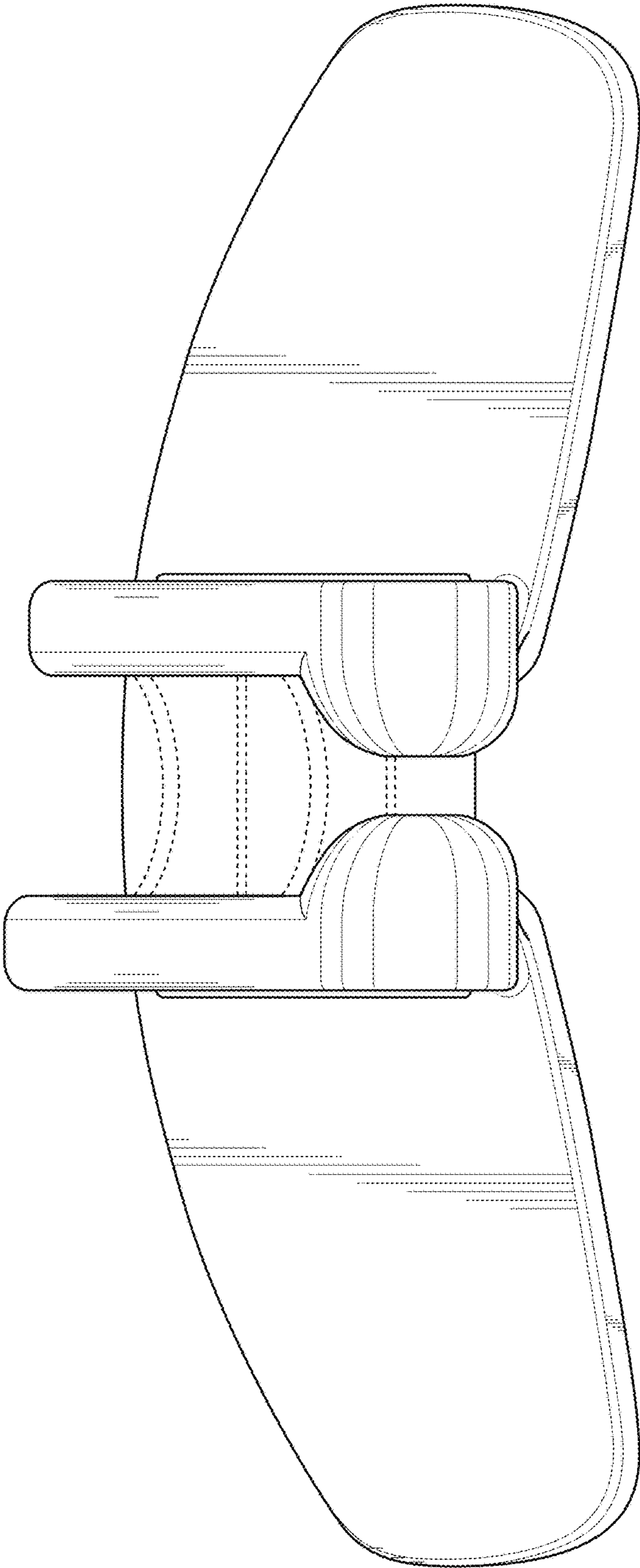


FIG. 5

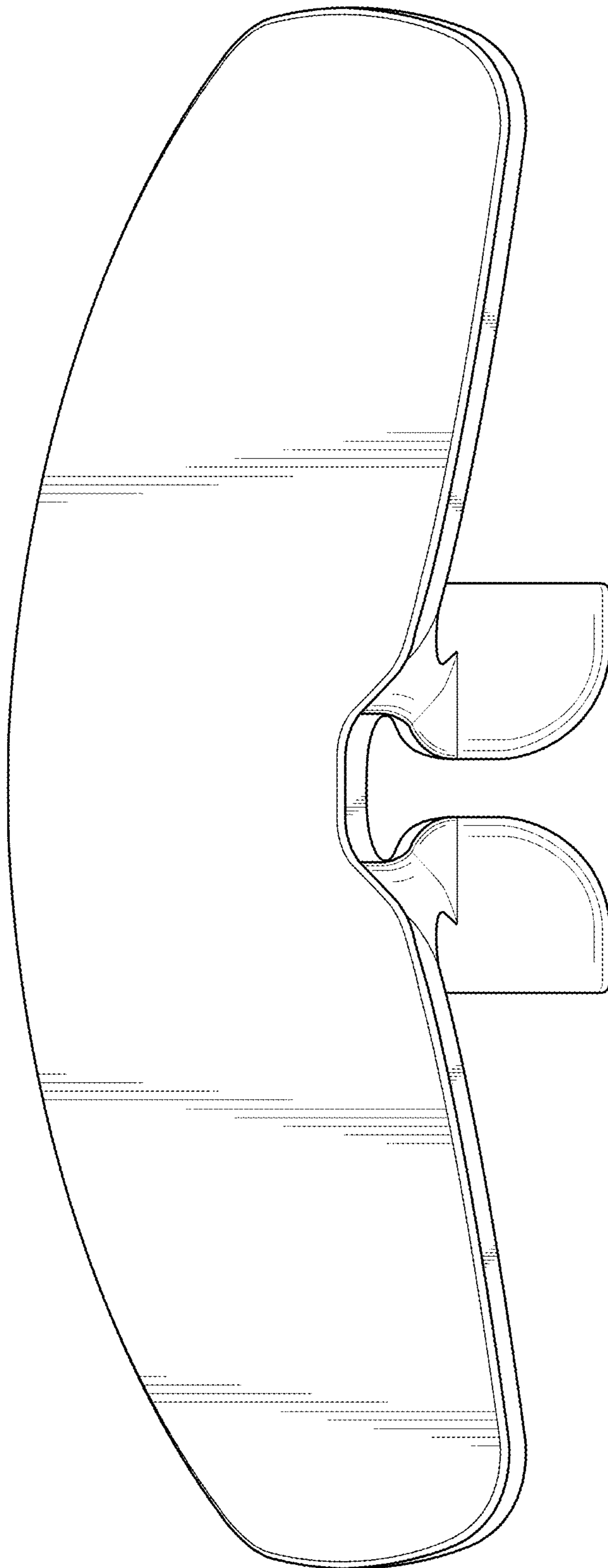


FIG. 6

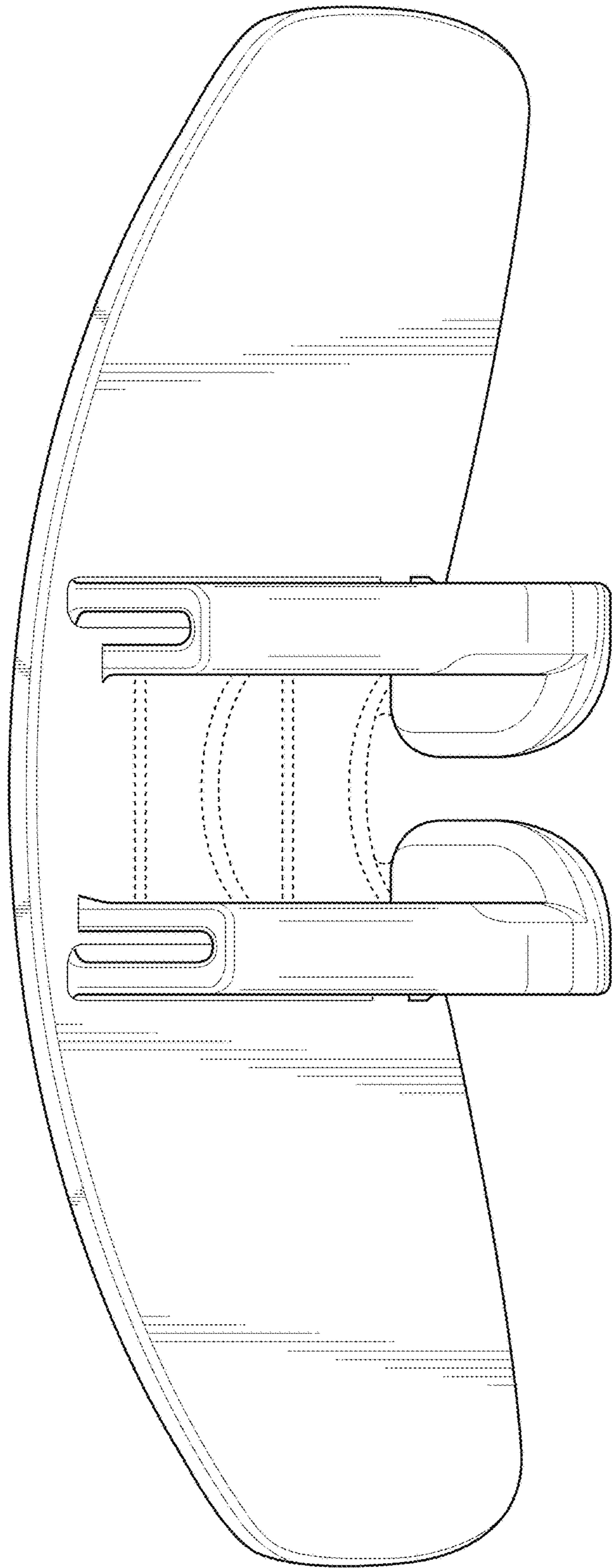


FIG. 7